



US00D839509S

(12) **United States Design Patent**
Nam et al.

(10) **Patent No.:** **US D839,509 S**

(45) **Date of Patent:** **** Jan. 29, 2019**

(54) **VACUUM CLEANER BODY**

(71) Applicant: **LG ELECTRONICS INC.**, Seoul (KR)

(72) Inventors: **Bohyun Nam**, Seoul (KR); **Jinju Kim**, Seoul (KR); **Namhee Kim**, Seoul (KR)

(73) Assignee: **LG ELECTRONICS INC.**, Seoul (KR)

(**) Term: **15 Years**

(21) Appl. No.: **35/502,782**

(22) Filed: **Oct. 14, 2016**

(80) **Hague Agreement Data**

Int. Filing Date: **Oct. 14, 2016**

Int. Reg. No.: **DM/093075**

Int. Reg. Date: **Oct. 14, 2016**

Int. Reg. Pub. Date: **Apr. 14, 2017**

(30) **Foreign Application Priority Data**

May 30, 2016 (KR) 30-2016-0026112

(51) **LOC (11) Cl.** **15-05**

(52) **U.S. Cl.**
USPC **D32/18**

(58) **Field of Classification Search**

USPC D32/17-18, 21-22, 31, 34, 69-70

CPC A47L 5/24; A47L 5/38; A47L 5/28; A47L

11/4044; A47L 11/34; A47L 7/0038;

A47L 9/325; A47L 9/02; A47L 1/08;

D01H 11/006; B60S 1/64; A46B 11/001;

A46B 11/002; B08B 3/026; B08B 3/028

See application file for complete search history.

(56) **References Cited**

U.S. PATENT DOCUMENTS

D498,885 S * 11/2004 Robson D32/15

D731,134 S * 6/2015 Dyson D32/31

D731,720 S *	6/2015	Gidwell	D32/18
D741,558 S *	10/2015	Kerr	D32/18
D742,083 S *	10/2015	Gidwell	D32/31
D743,123 S *	11/2015	Chu	D32/18
D745,231 S *	12/2015	Niedzwecki	D32/18
D747,571 S *	1/2016	Dyson	D32/18
D780,387 S *	2/2017	Bu	D32/18
D781,011 S *	3/2017	Bu	D32/18
D787,766 S *	5/2017	Nam	D32/32
9,661,964 B2 *	5/2017	Conrad	A47L 5/24
D792,665 S *	7/2017	Salagnac	D32/18
D798,009 S *	9/2017	Salagnac	D32/18
D799,767 S *	10/2017	Palladino	D32/22
D807,603 S *	1/2018	Roschi	D32/32
D813,475 S *	3/2018	Lee	D32/18

* cited by examiner

Primary Examiner — Michael A. Pratt

(74) *Attorney, Agent, or Firm* — Birch, Stewart, Kolasch & Birch, LLP

(57) **CLAIM**

The ornamental design for a vacuum cleaner body, as shown and described.

DESCRIPTION

1. Vacuum cleaner body

1.1 is a perspective view of a vacuum cleaner body, showing our new design;

1.2 is a front elevation view thereof;

1.3 is a rear elevation view thereof;

1.4 is a left-side elevation view thereof;

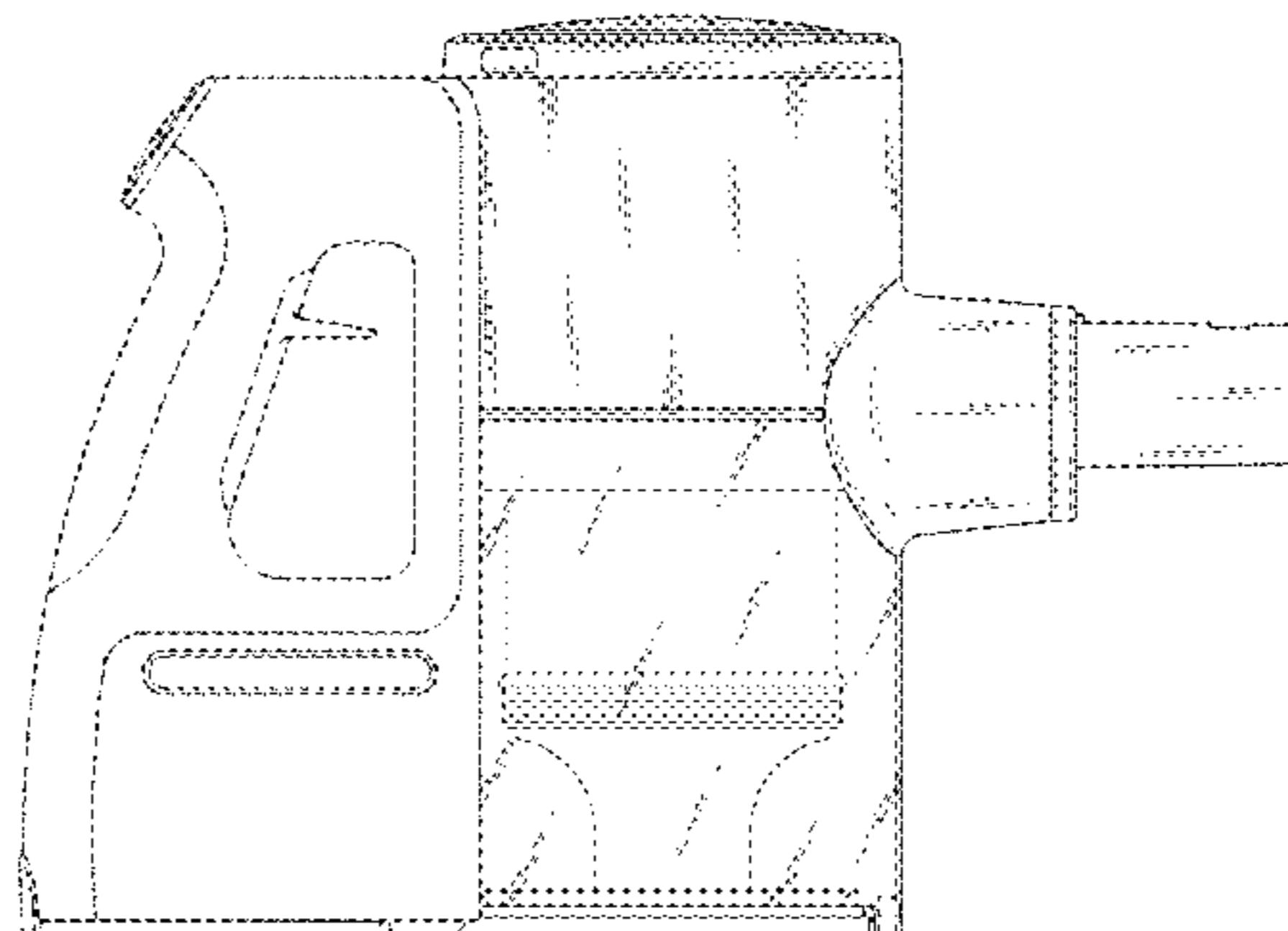
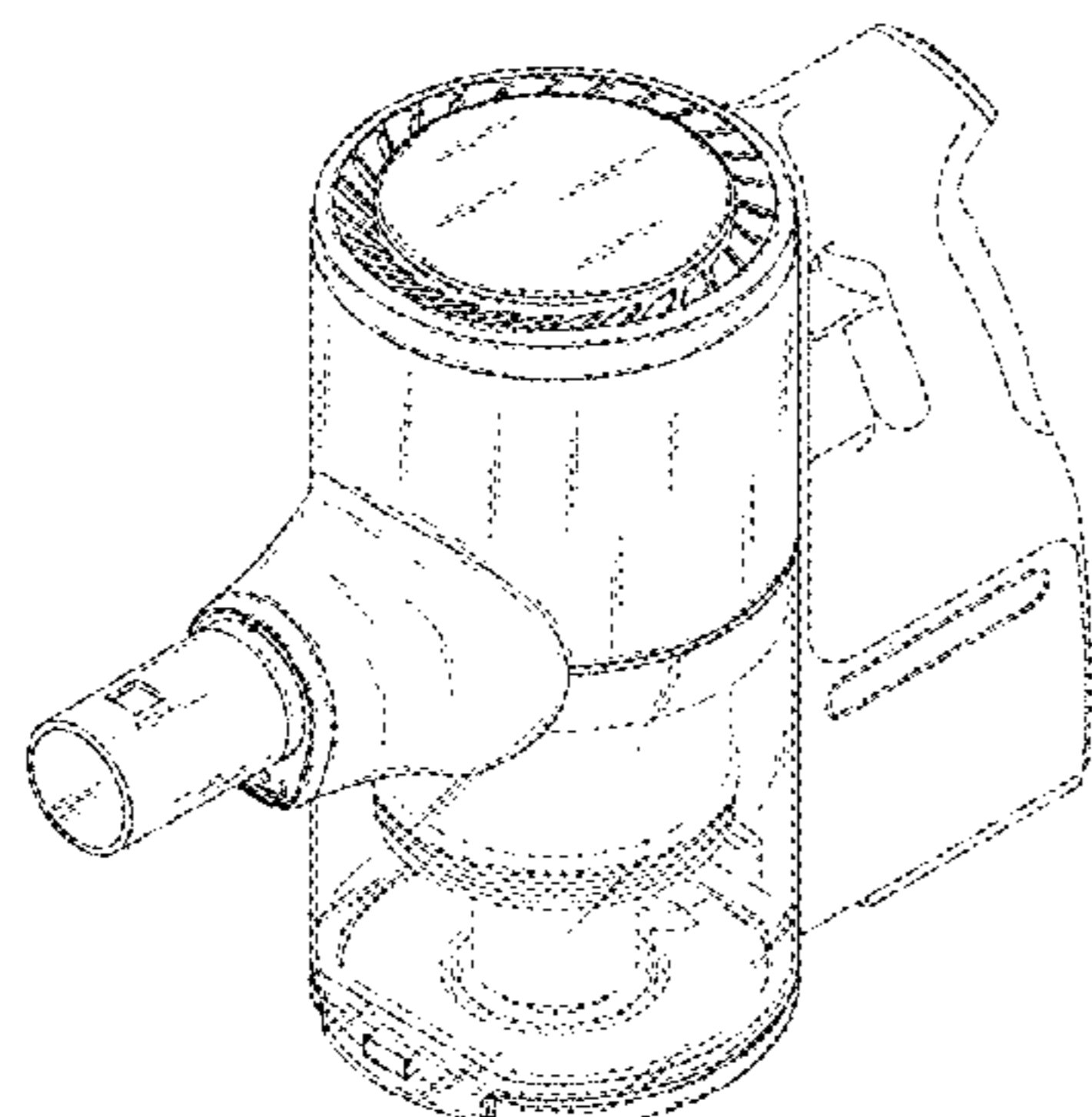
1.5 is a right-side elevation view thereof;

1.6 is a top plan view thereof; and

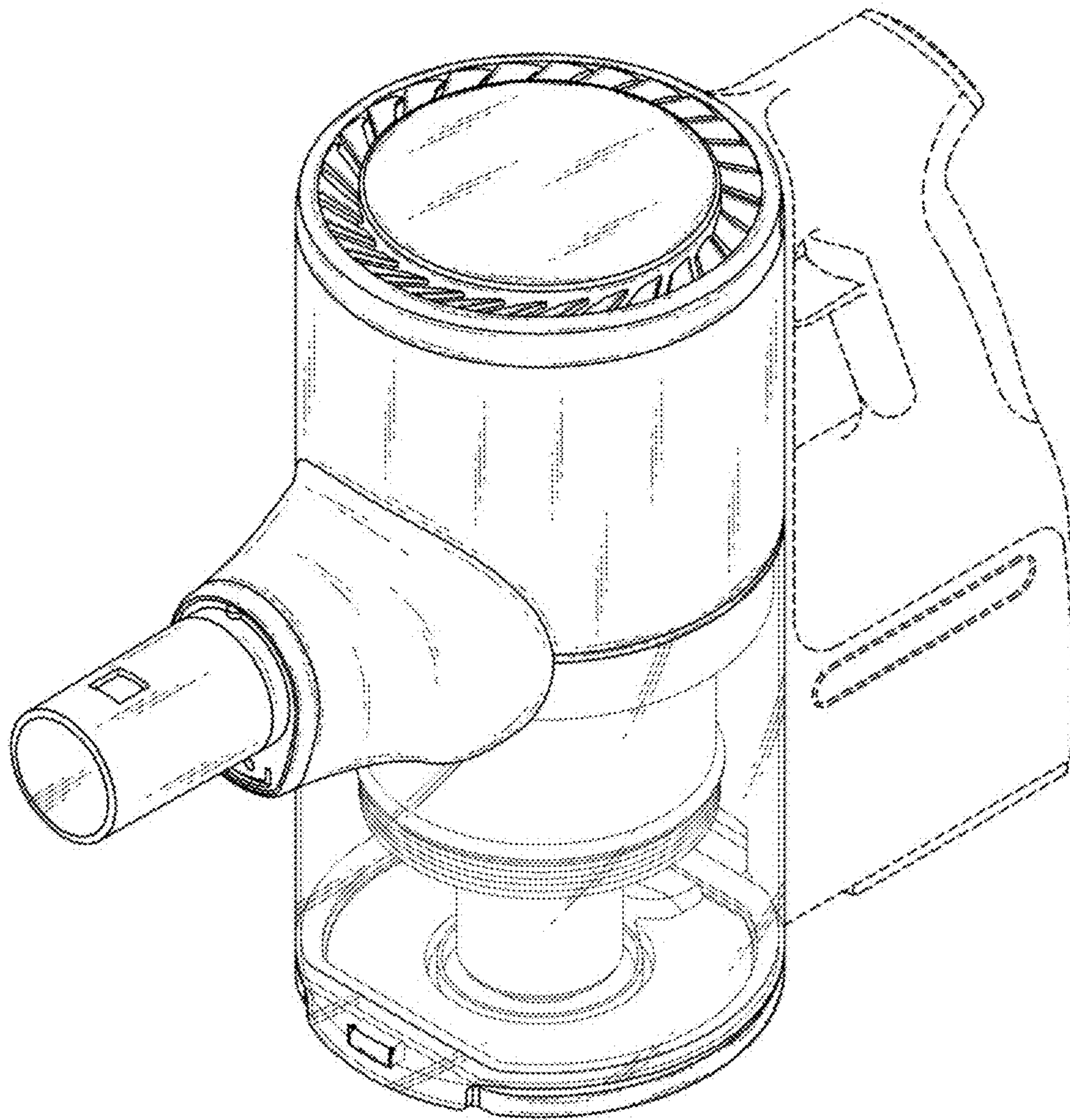
1.7 is a bottom plan view thereof.

The broken line shown in figures **1.1** through **1.7** is for the purpose of illustrating portions of the vacuum cleaner body that forms no part of the claimed design.

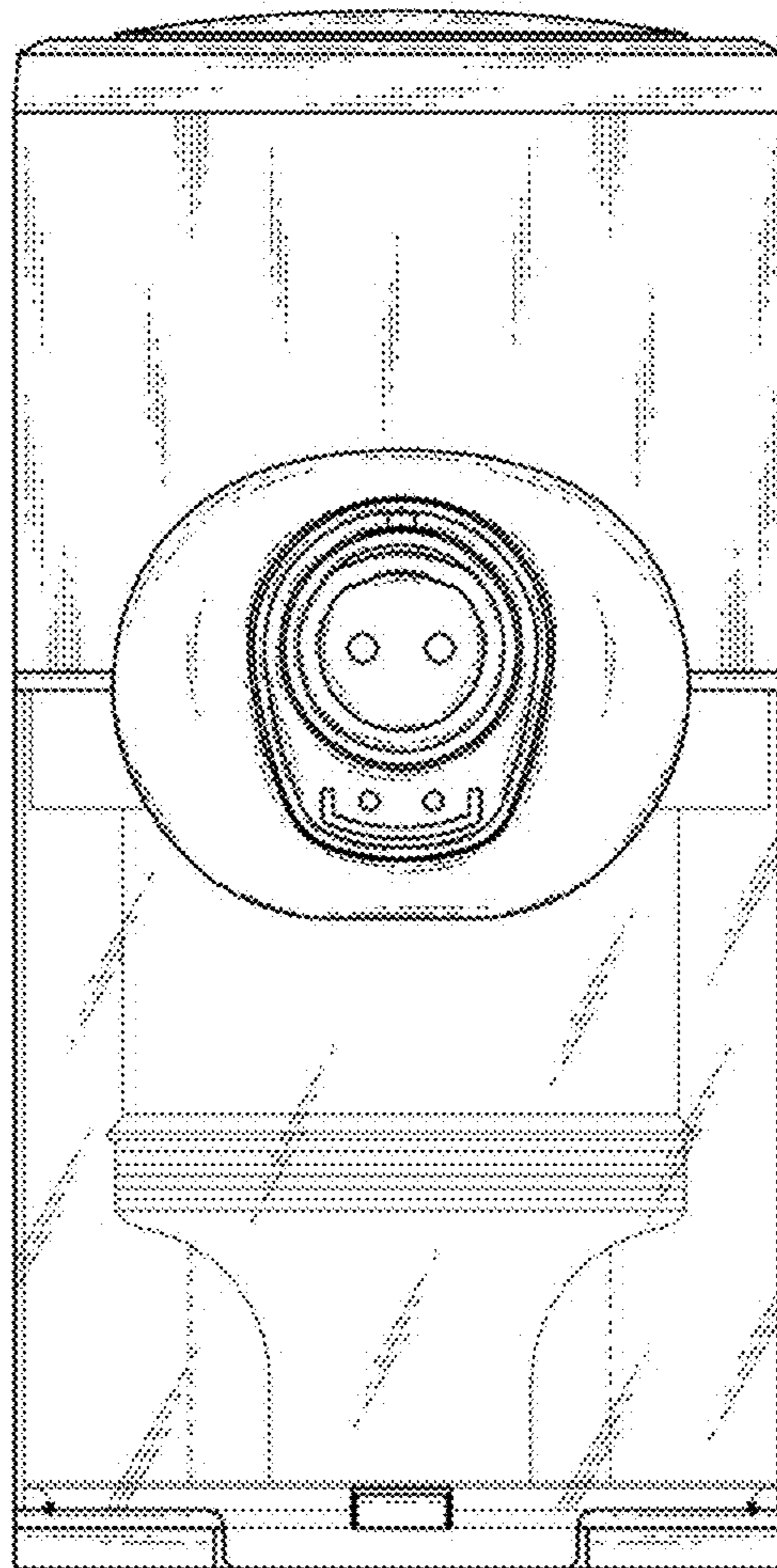
1 Claim, 7 Drawing Sheets



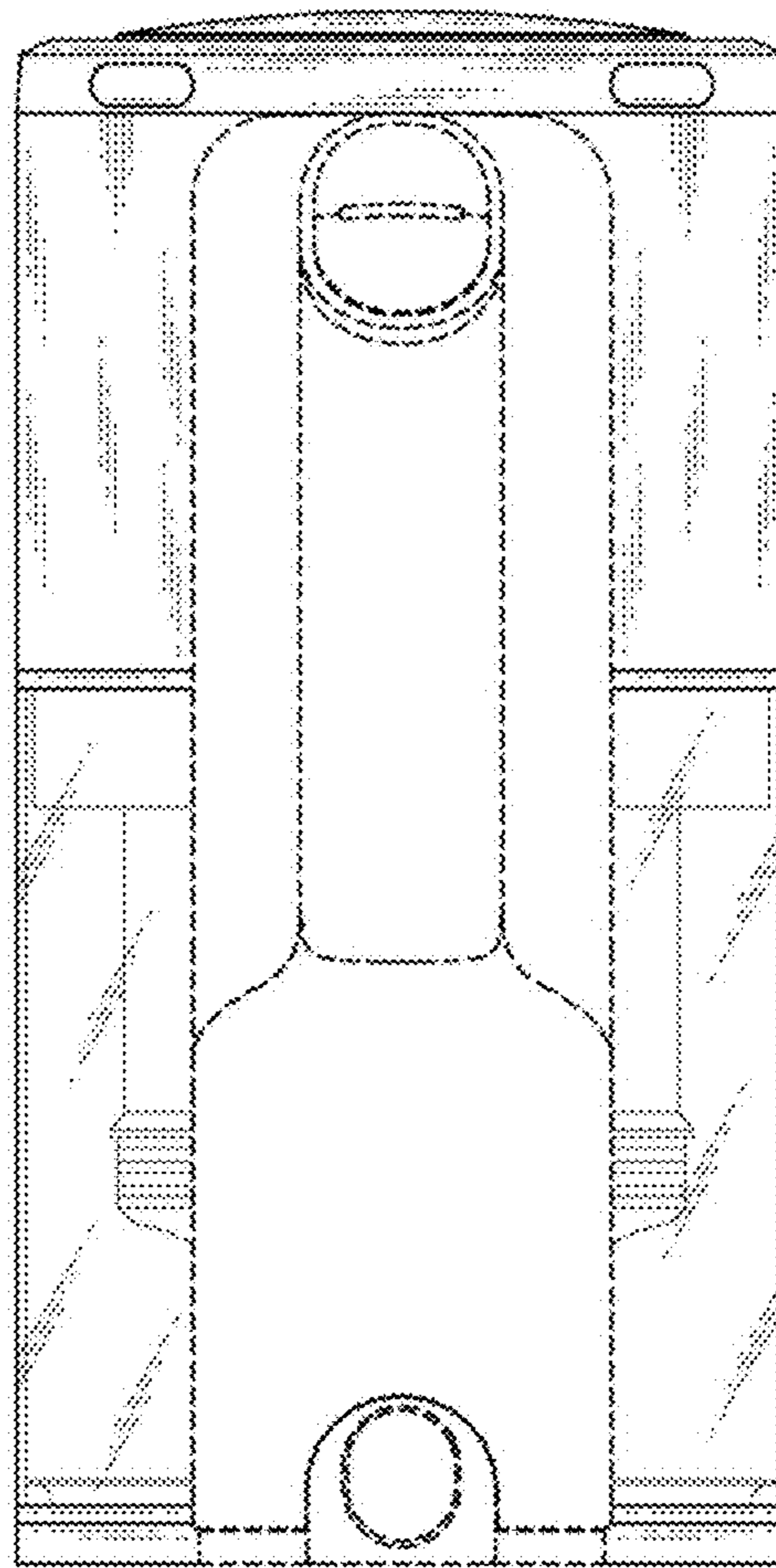
1.1



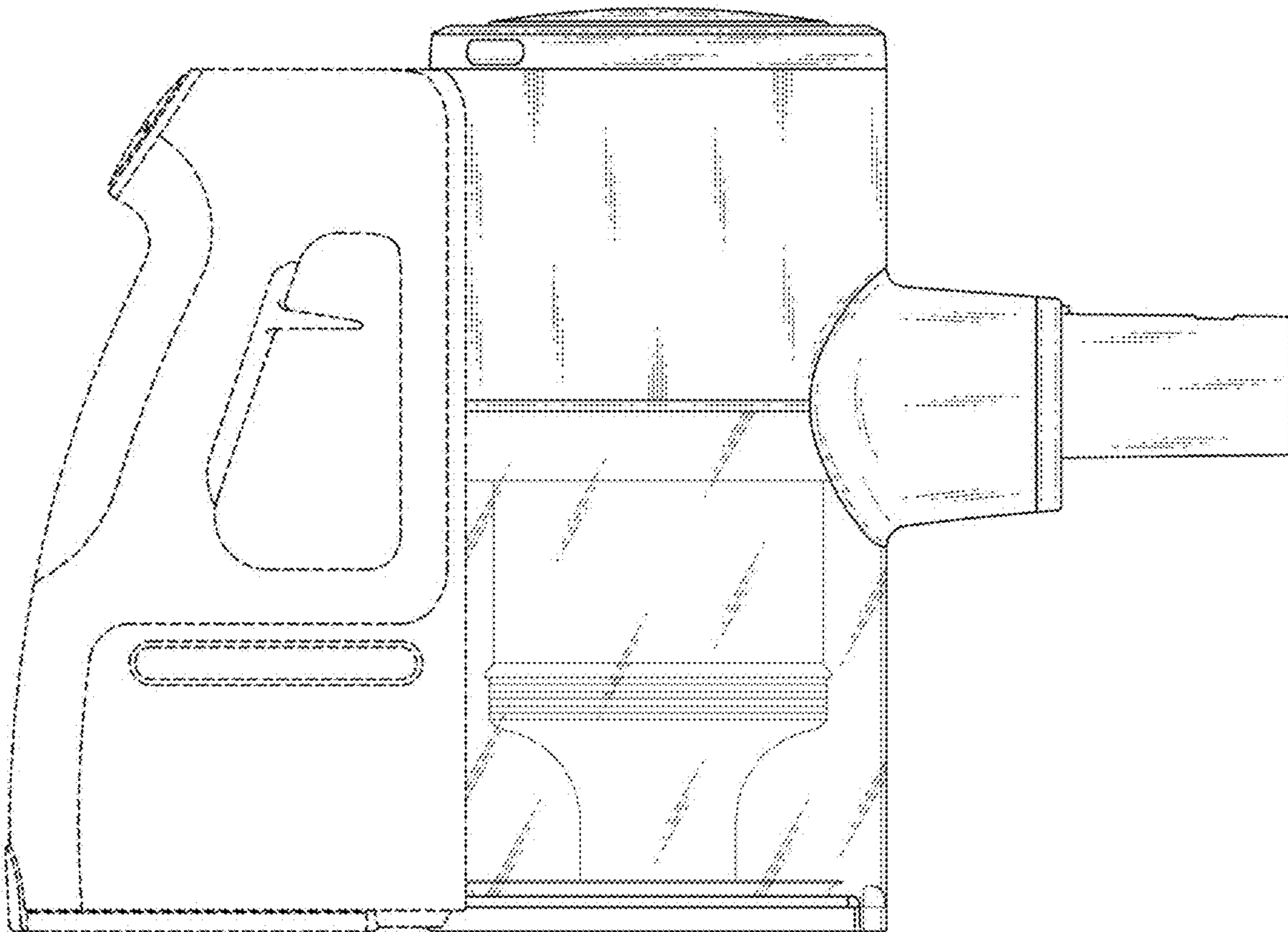
1.2



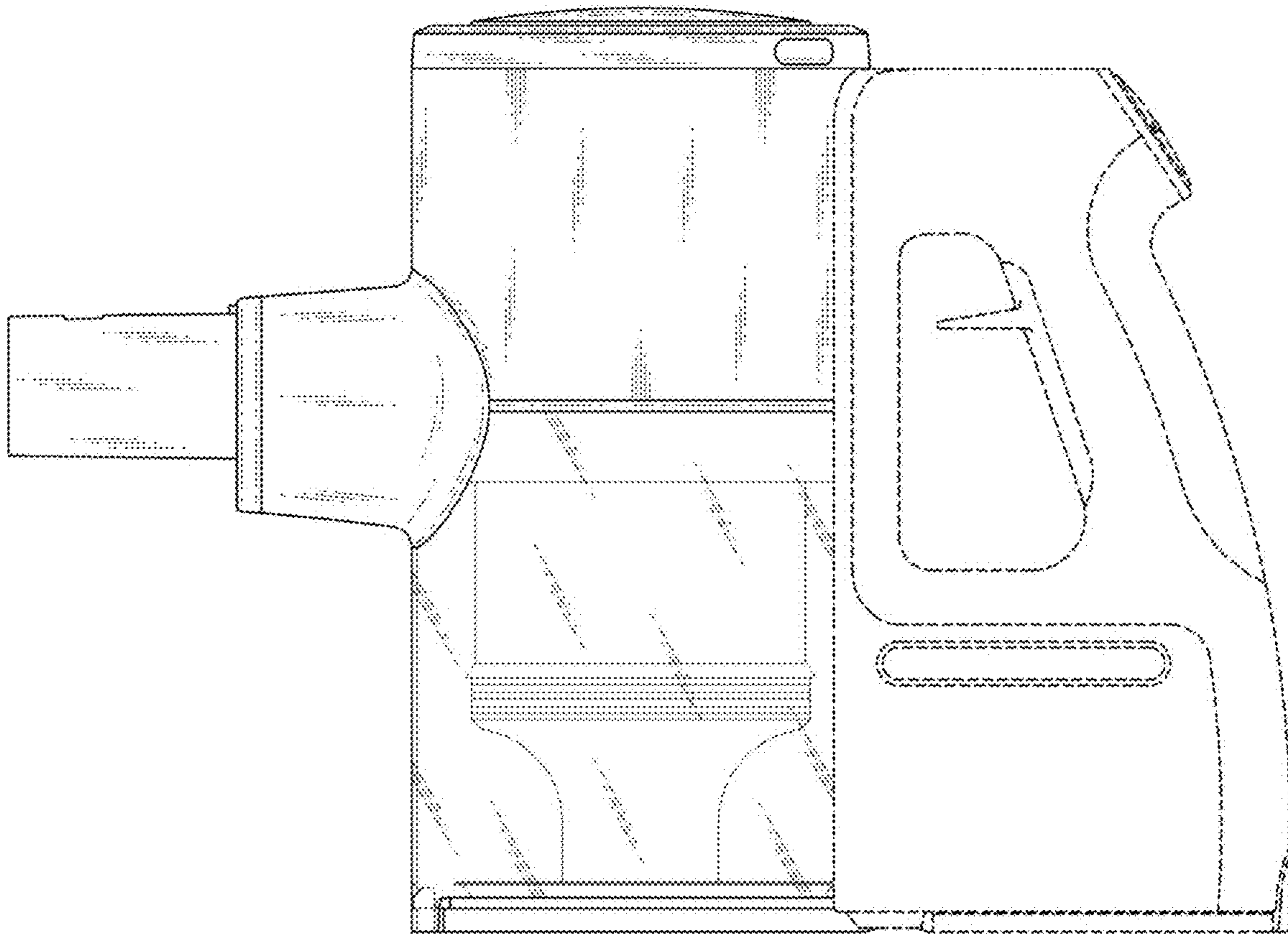
1.3



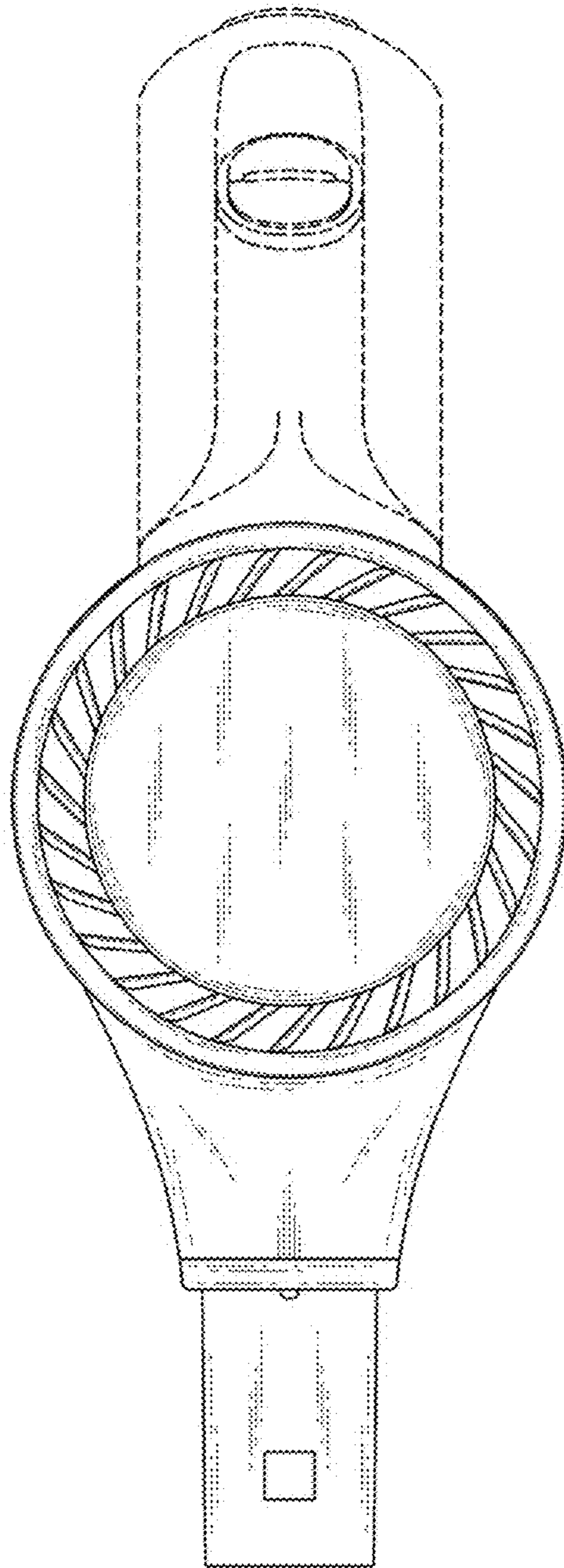
1.4



1.5



1.6



1.7

