



US00D839507S

(12) **United States Design Patent**
Wu

(10) **Patent No.:** **US D839,507 S**
(45) **Date of Patent:** **** Jan. 29, 2019**

(54) **HANDLE FOR CONDUIT DREDGE**

(71) Applicant: **Kuei-Kun Wu**, Kaohsiung (TW)

(72) Inventor: **Kuei-Kun Wu**, Kaohsiung (TW)

(**) Term: **15 Years**

(21) Appl. No.: **29/609,487**

(22) Filed: **Jun. 30, 2017**

(51) **LOC (11) Cl.** **15-05**

(52) **U.S. Cl.**
USPC **D32/14**

(58) **Field of Classification Search**
USPC D32/1, 14, 25, 34, 35; D23/223, 224;
D6/524; D28/7; 4/255.05, 255.01,
4/255.12, 255.09, 255.11; 15/406
CPC .. E03D 9/00; E03C 1/30; E03C 1/308; A47K
11/10
See application file for complete search history.

(56) **References Cited**

U.S. PATENT DOCUMENTS

- D291,863 S * 9/1987 Kolonia D8/10
- 6,067,668 A * 5/2000 Rudd E03C 1/308
4/255.01
- 6,131,972 A * 10/2000 Whitehead B25G 1/102
16/430
- D457,279 S * 5/2002 Ingram D32/35
- D495,841 S * 9/2004 Smith D32/35
- D508,151 S * 8/2005 Hay D32/14
- D511,597 S * 11/2005 Morrow D32/14
- D576,253 S * 9/2008 Cheng D23/223
- D593,821 S * 6/2009 Kopp D8/10

- D604,573 S * 11/2009 Boies D8/10
- D722,210 S * 2/2015 Gwen D32/14
- D813,479 S * 3/2018 Balz D32/35
- 2017/0361362 A1 * 12/2017 Elam, Sr. B08B 9/035

FOREIGN PATENT DOCUMENTS

- EM 0004093102-0001 * 7/2017
- EM 0004093102-0003 * 7/2017
- EM 0004093102-0004 * 7/2017

* cited by examiner

Primary Examiner — Cynthia Ramirez

Assistant Examiner — Laura H Yu

(74) *Attorney, Agent, or Firm* — WPAT, PC

(57) **CLAIM**

The ornamental design for a handle for a conduit dredge, as shown and described.

DESCRIPTION

FIG. 1 is a perspective view of a handle for a conduit dredge, showing my new design;

FIG. 2 is a front view thereof;

FIG. 3 is a rear view thereof;

FIG. 4 is a left side view thereof;

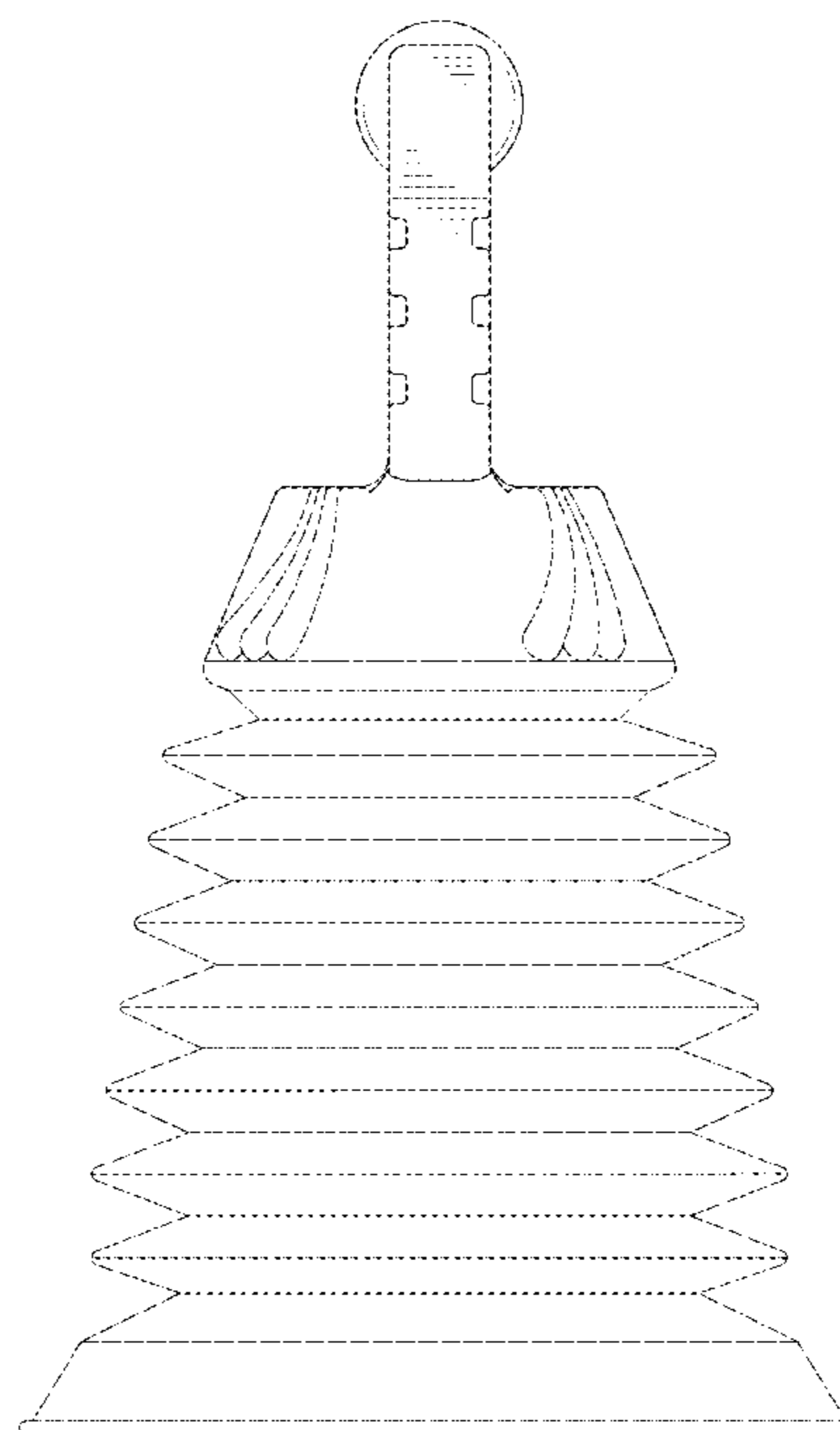
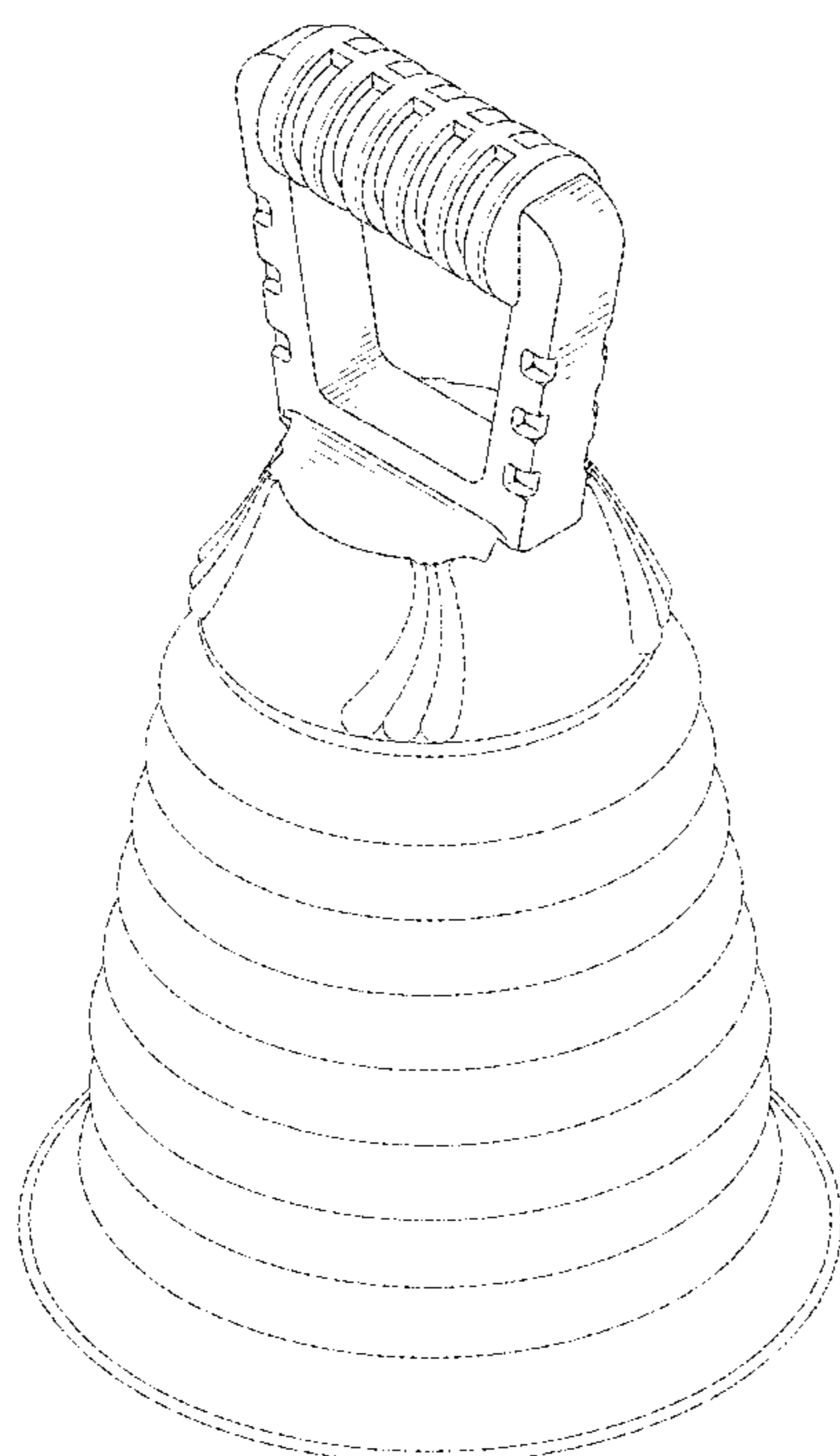
FIG. 5 is a right side view thereof;

FIG. 6 is a top view thereof; and,

FIG. 7 is a bottom view thereof.

The dash dot dash lines represent boundary lines of the claimed design and form no part thereof. The evenly spaced broken lines illustrate environment and form no part of the claimed design.

1 Claim, 7 Drawing Sheets



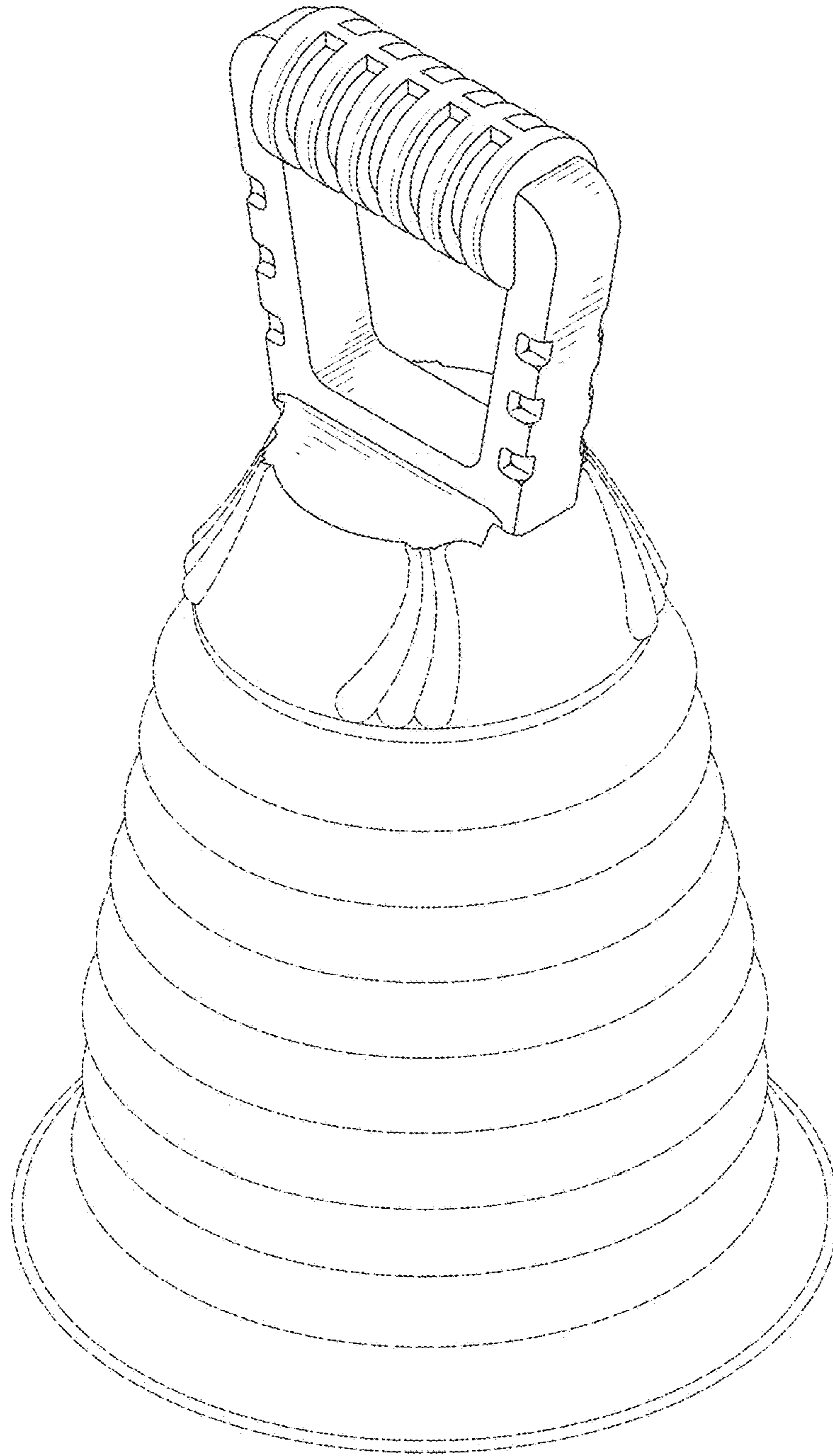


FIG. 1

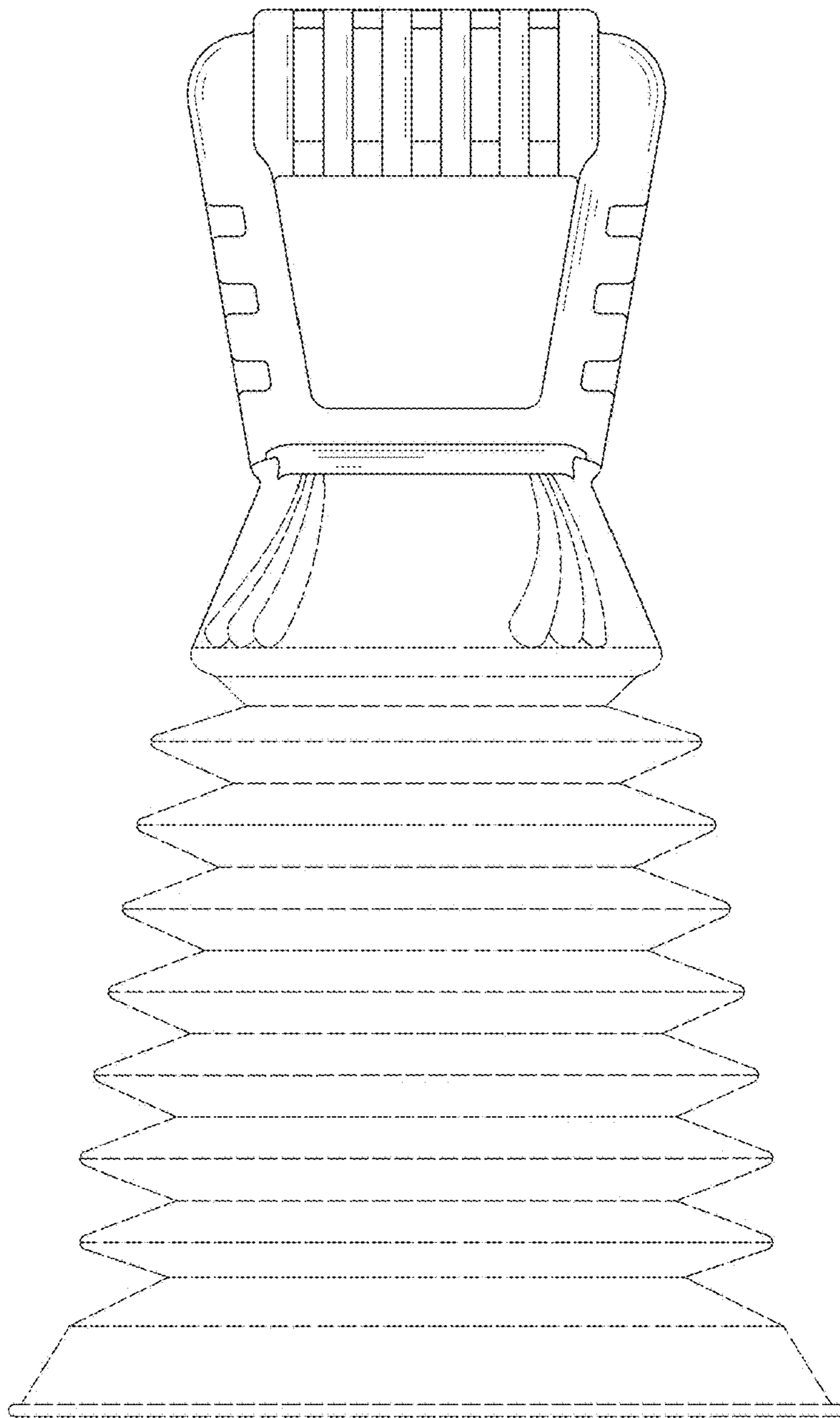


FIG. 2

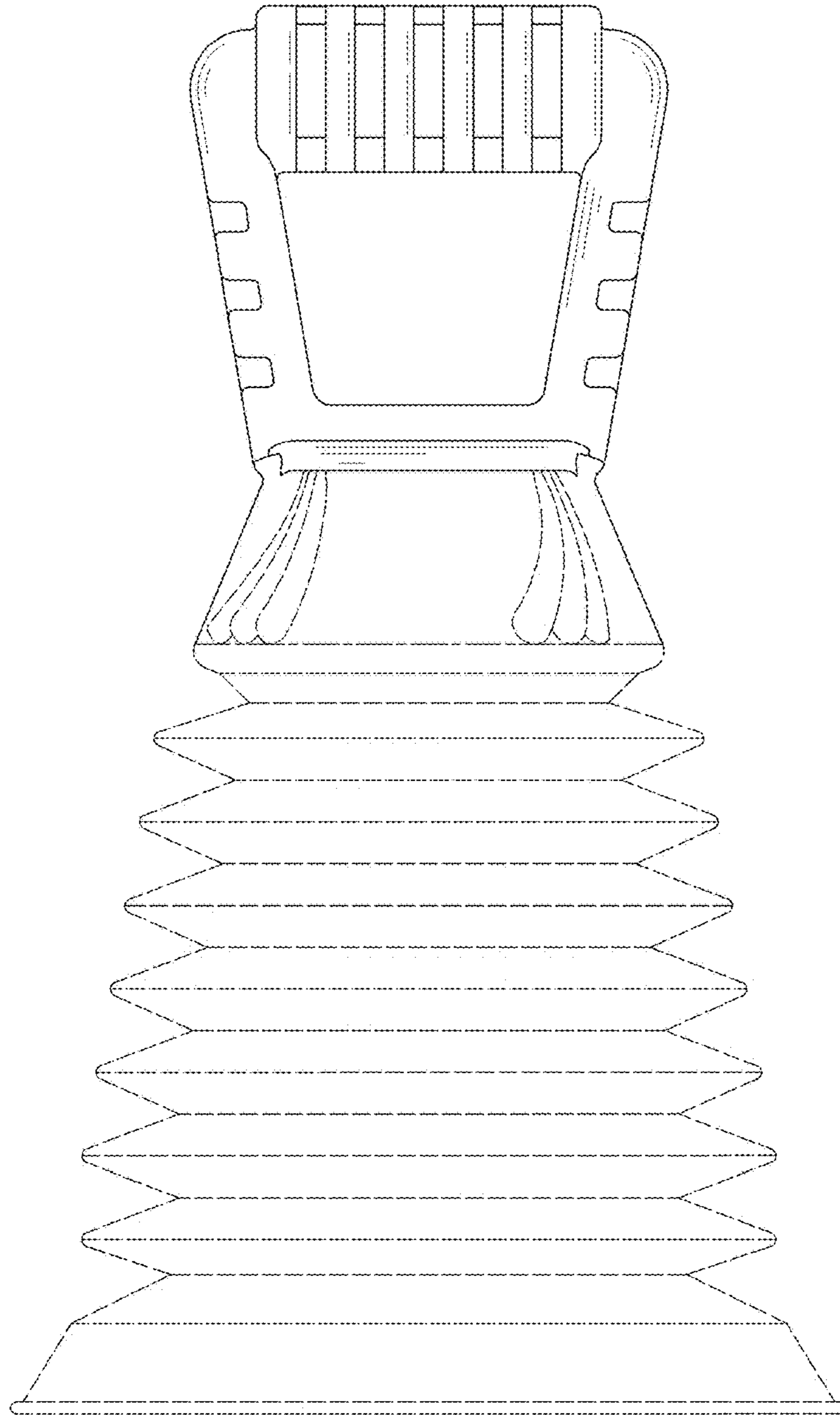


FIG. 3

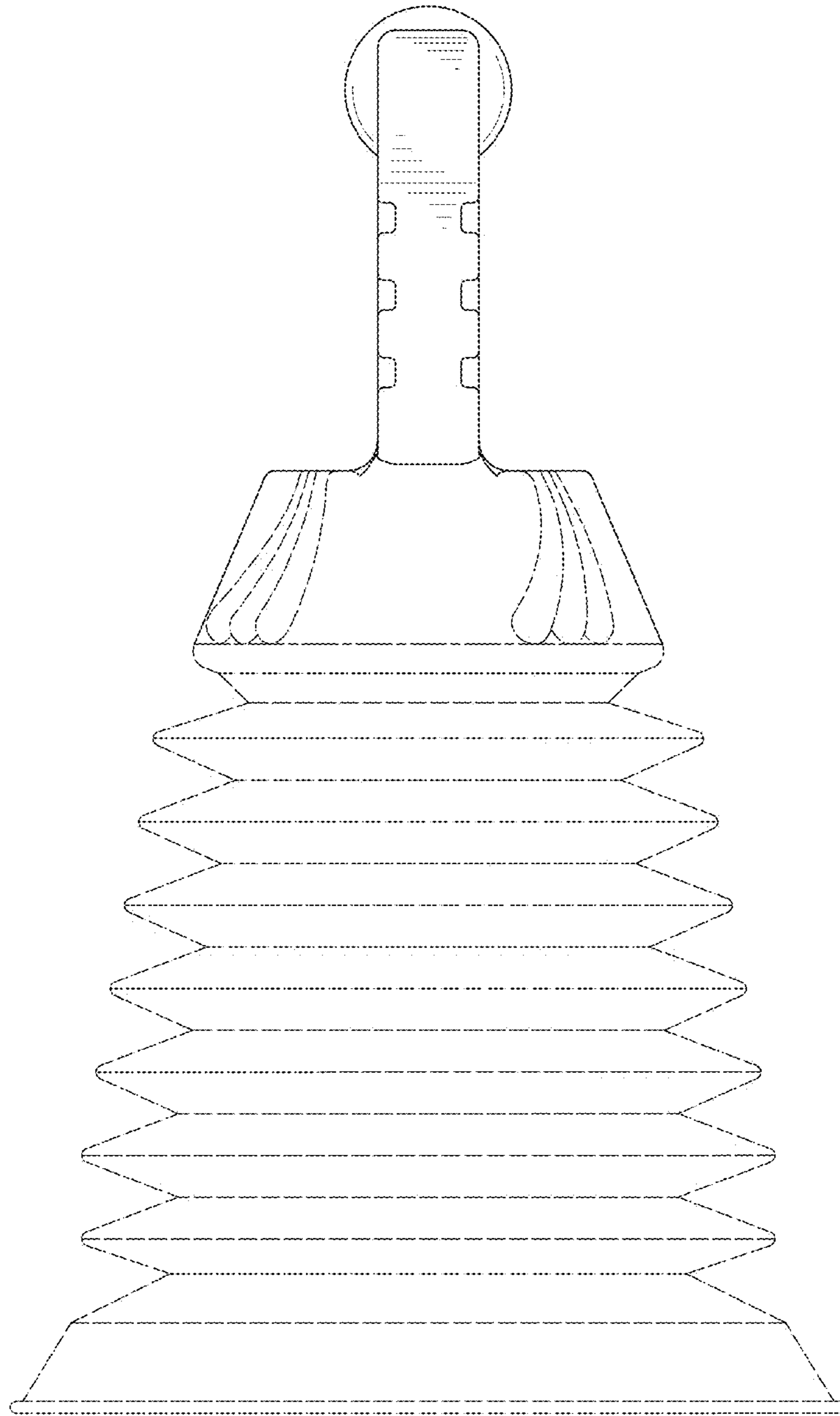


FIG. 4

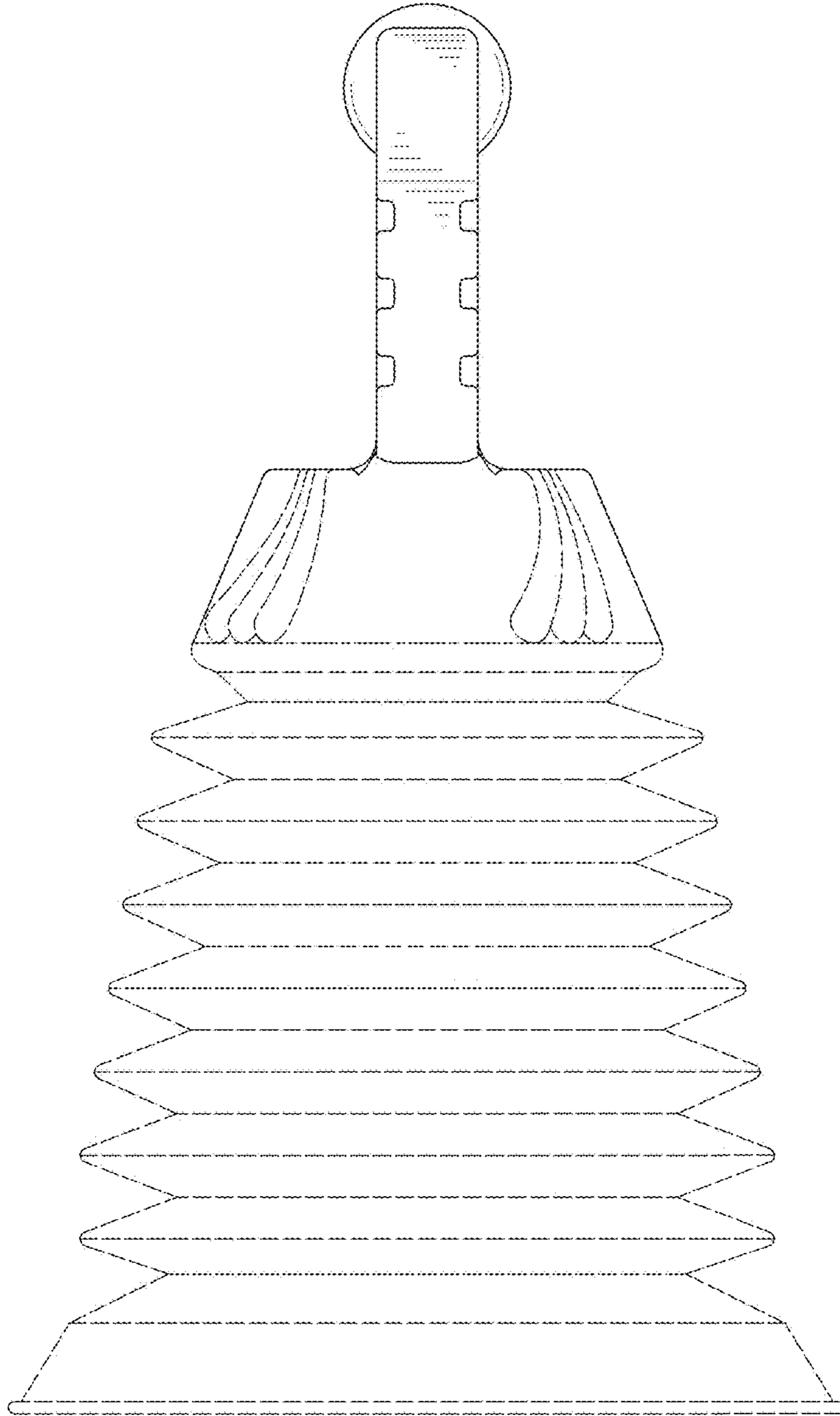


FIG. 5

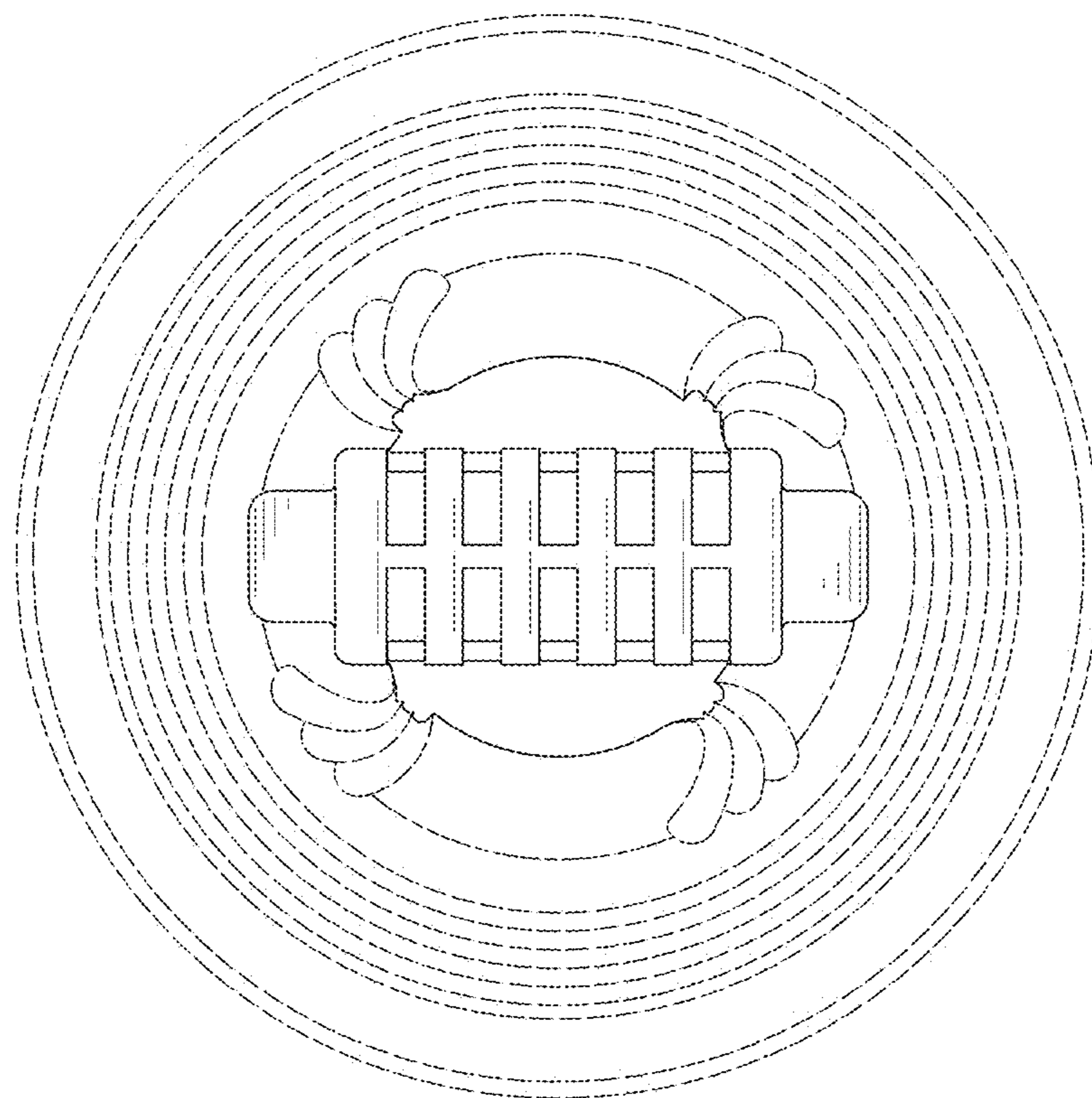


FIG. 6

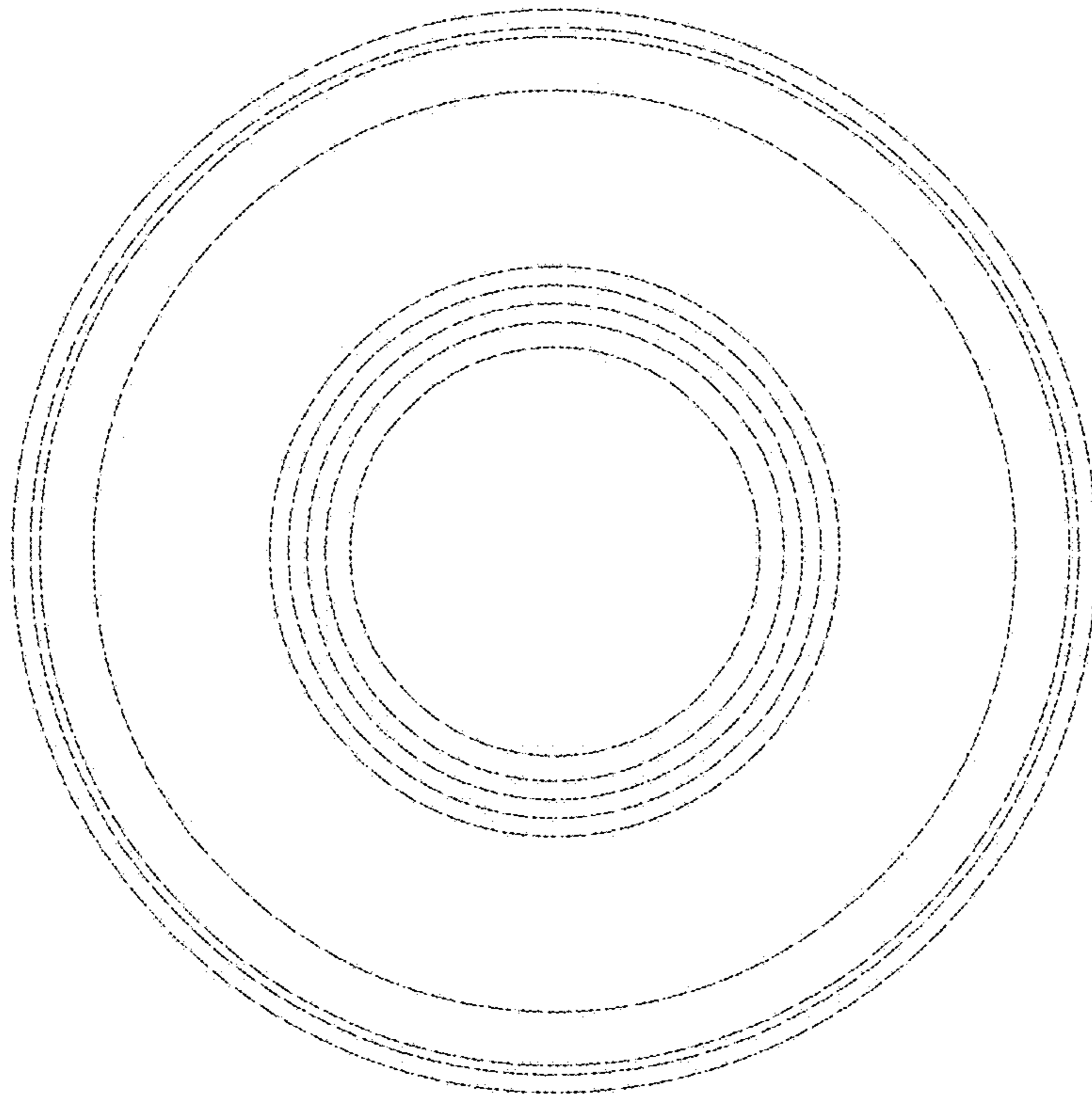


FIG. 7