

US00D839501S

(12) **United States Design Patent**
Bouchonnet et al.

(10) **Patent No.:** **US D839,501 S**
(45) **Date of Patent:** **** Jan. 29, 2019**

(54) **DISHWASHER**

(71) Applicant: **WHIRLPOOL CORPORATION**,
Benton Harbor, MI (US)

(72) Inventors: **William Bouchonnet**, St. Joseph, MI
(US); **Jason Cackley**, South Bend, IN
(US); **Ameresh B. Viswanathan**, St.
Joseph, MI (US)

(73) Assignee: **Whirlpool Corporation**, Benton
Harbor, MI (US)

(**) Term: **15 Years**

(21) Appl. No.: **29/648,675**

(22) Filed: **May 23, 2018**

Related U.S. Application Data

(62) Division of application No. 29/586,042, filed on Nov.
30, 2016, now Pat. No. Des. 821,666.

(51) **LOC (11) Cl.** **15-05**

(52) **U.S. Cl.**
USPC **D32/2**

(58) **Field of Classification Search**
USPC D32/2, 1; D15/91; D7/405-406
(Continued)

(56) **References Cited**

U.S. PATENT DOCUMENTS

D627,938 S * 11/2010 Kim D32/2
D699,904 S 2/2014 Eng
(Continued)

OTHER PUBLICATIONS

Dishwasher posted by KitchenAid posted review date Oct. 2, 2017,
© HomeDepot, [online], [site visited May 22, 2018]. Available from
Internet, [https://www.homedepot.com/p/KitchenAid-24-in-Top-Control-Built-In-Tall-Tub-Dishwasher-in-PrintShield-Stainless-with-Third-Level-Rack-\(Year:2017\).*](https://www.homedepot.com/p/KitchenAid-24-in-Top-Control-Built-In-Tall-Tub-Dishwasher-in-PrintShield-Stainless-with-Third-Level-Rack-(Year:2017).*)

Primary Examiner — Cynthia Ramirez

Assistant Examiner — Laura H Yu

(74) *Attorney, Agent, or Firm* — Price Heneveld LLP

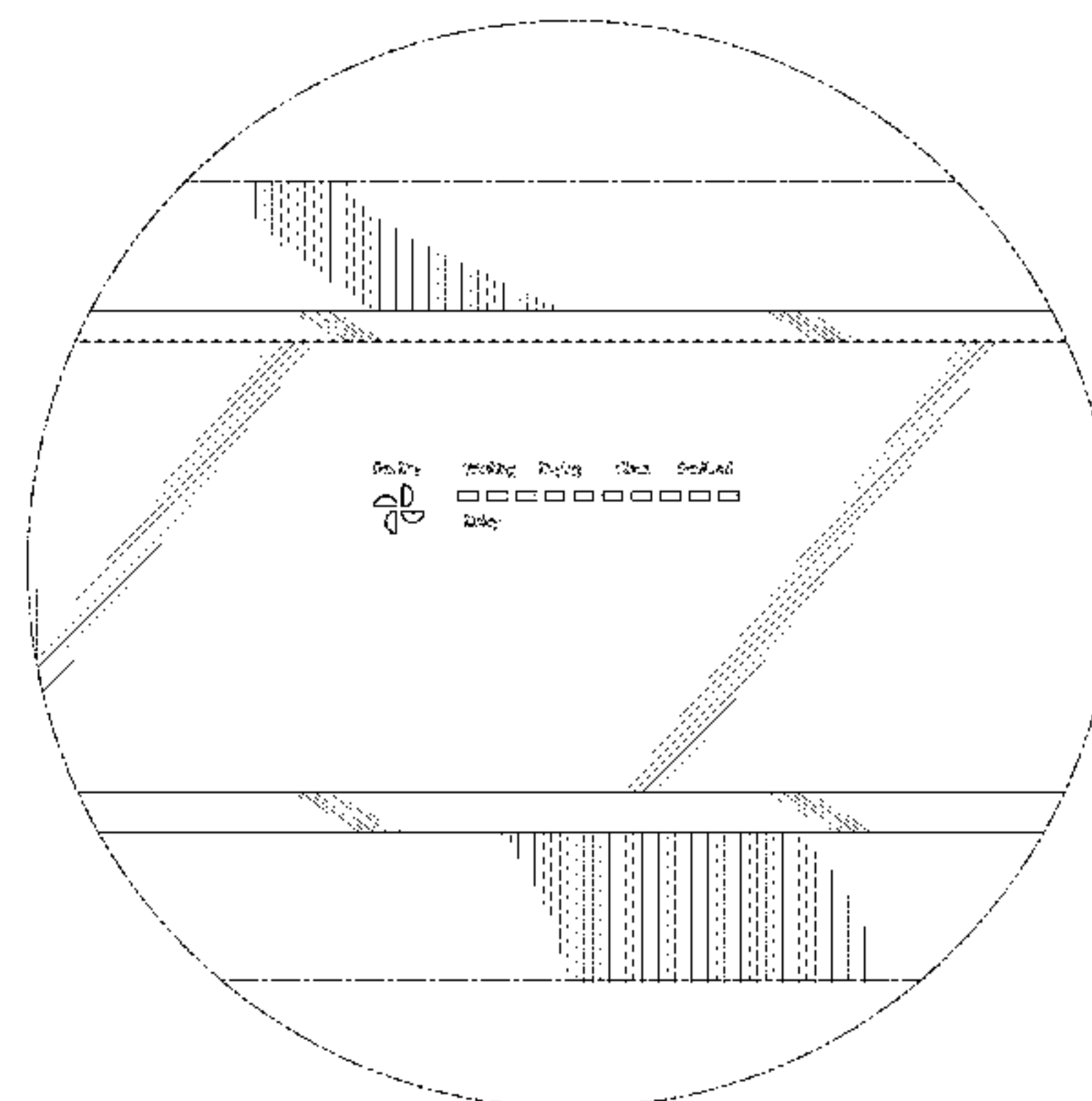
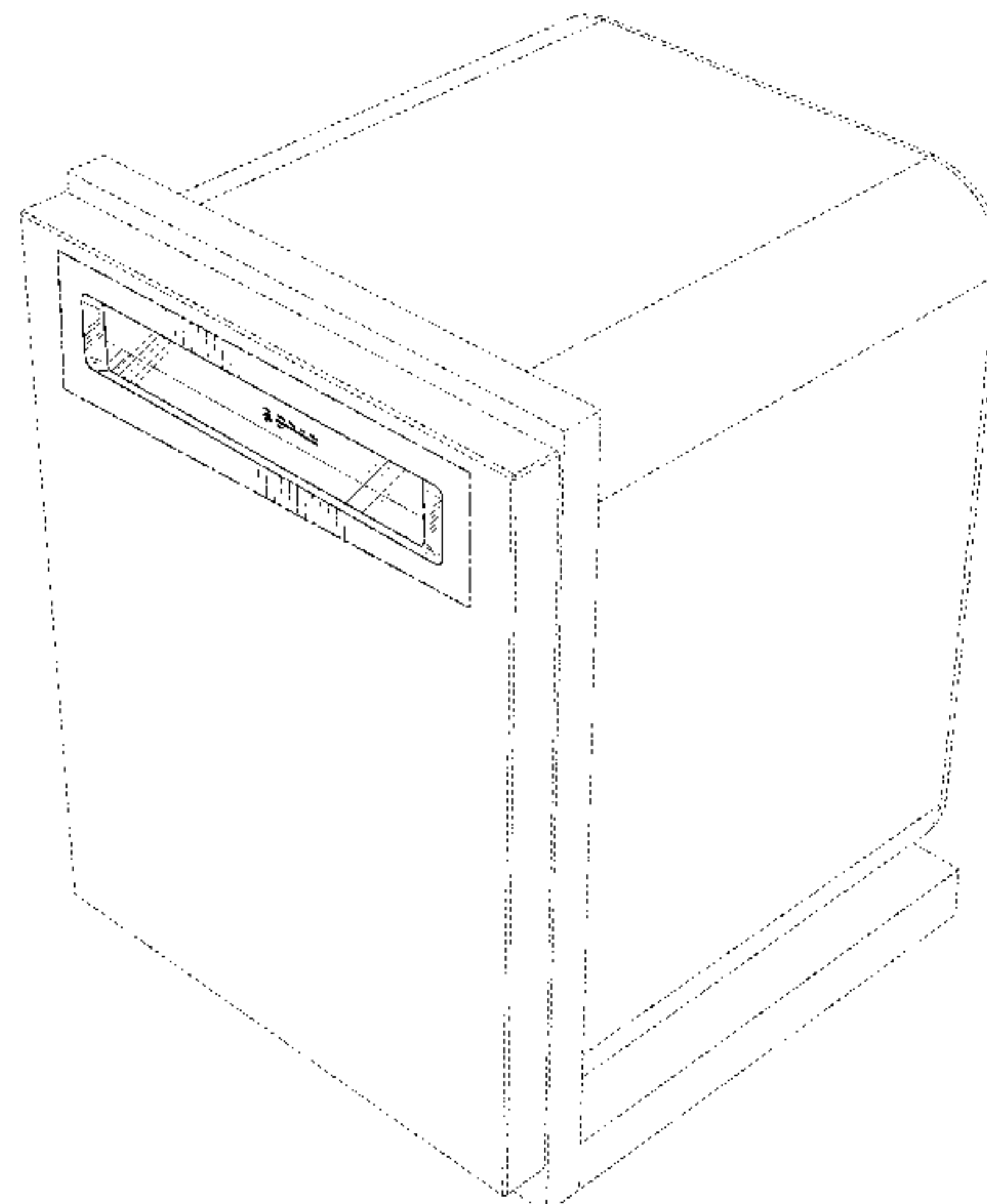
(57) **CLAIM**

The ornamental design for a dishwasher, as shown and described.

DESCRIPTION

FIG. 1 is a front perspective view of a dishwasher according to a first embodiment of our design in a first configuration; FIG. 2 is a front elevation view thereof; FIG. 3 is a left side elevation view thereof; FIG. 4 is a right side view thereof; FIG. 5 is a top view thereof; FIG. 6 is a bottom view thereof; FIG. 7 is another front perspective view that is annotated with lines showing various sections thereof; FIG. 8 is a cross-section view of the dishwasher of FIG. 1 taken along line 8-8 in FIG. 7; FIG. 9 is a cross-section view thereof taken along line 9-9 in FIG. 7; FIG. 10 is a cross-section view thereof taken along line 10-10 in FIG. 7; FIG. 11 is a cross-section view thereof taken along line 11-11 in FIG. 7; FIG. 12 is a front perspective view of the dishwasher according to the first embodiment of our design shown in a second configuration; FIG. 13 is a front view thereof; and, FIG. 14 is a front perspective view depicting area 14 as illustrated in FIG. 13, in a second configuration. The broken lines illustrating portions of a dishwasher are for the purpose of illustrating portions that form no part of the claimed design. The dash dot dash lines adjacent to the unshaded areas represent the bounds of the claimed design and form no part of the claimed design.

1 Claim, 12 Drawing Sheets



(58) **Field of Classification Search**

CPC A47L 15/0076; A47L 15/0078; A47L
15/0081; F24C 15/008; G01J 1/44; A47J
37/0664; F21V 23/0464; F21V 33/0044;
H04N 5/2257

See application file for complete search history.

(56) **References Cited**

U.S. PATENT DOCUMENTS

D702,899 S	4/2014	Eng et al.	
D732,759 S	6/2015	Roberson et al.	
D734,902 S	7/2015	Eng et al.	
D741,031 S	10/2015	Roberson et al.	
D821,666 S *	6/2018	Bouchonnet	D32/2

* cited by examiner

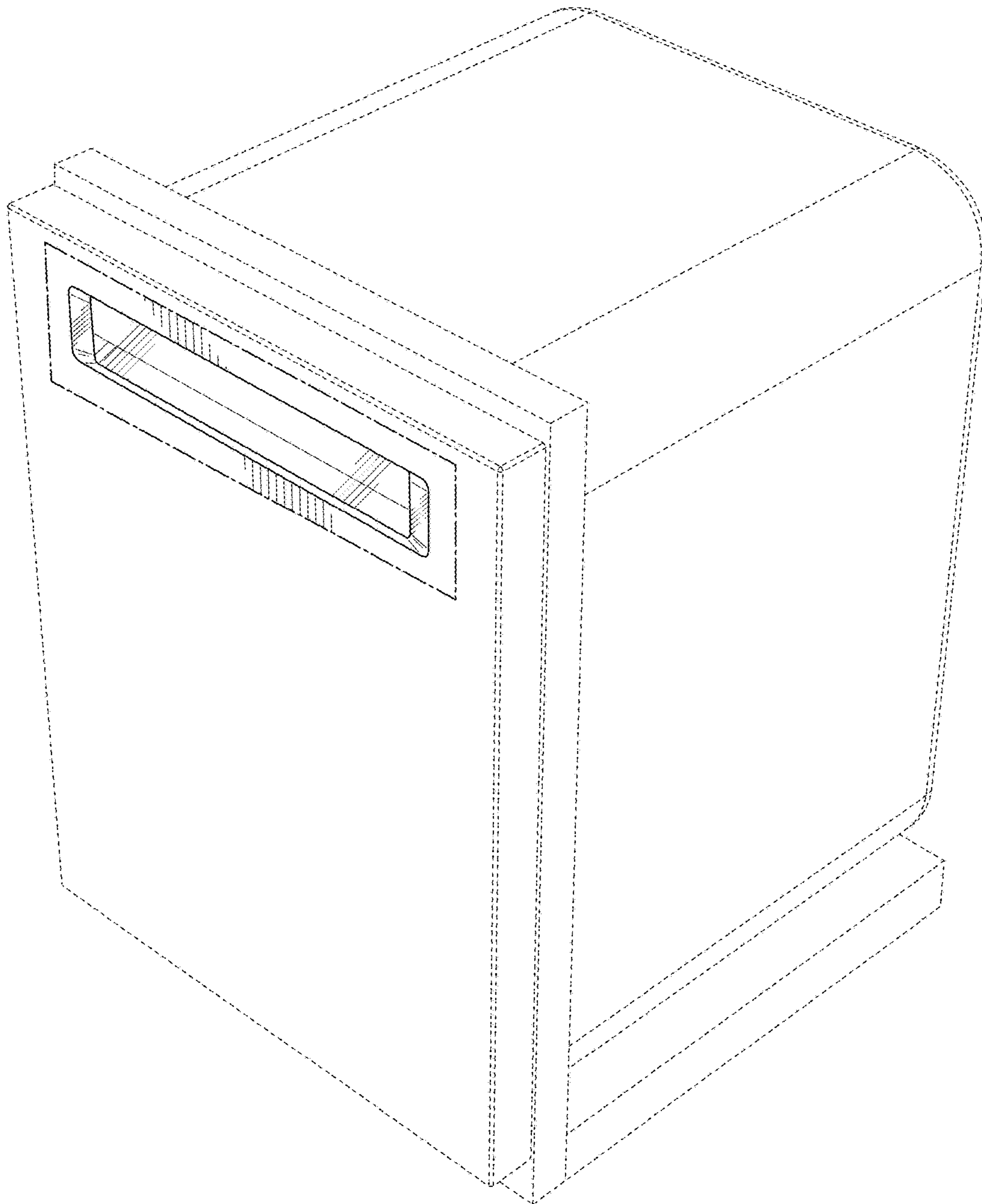


FIG. 1

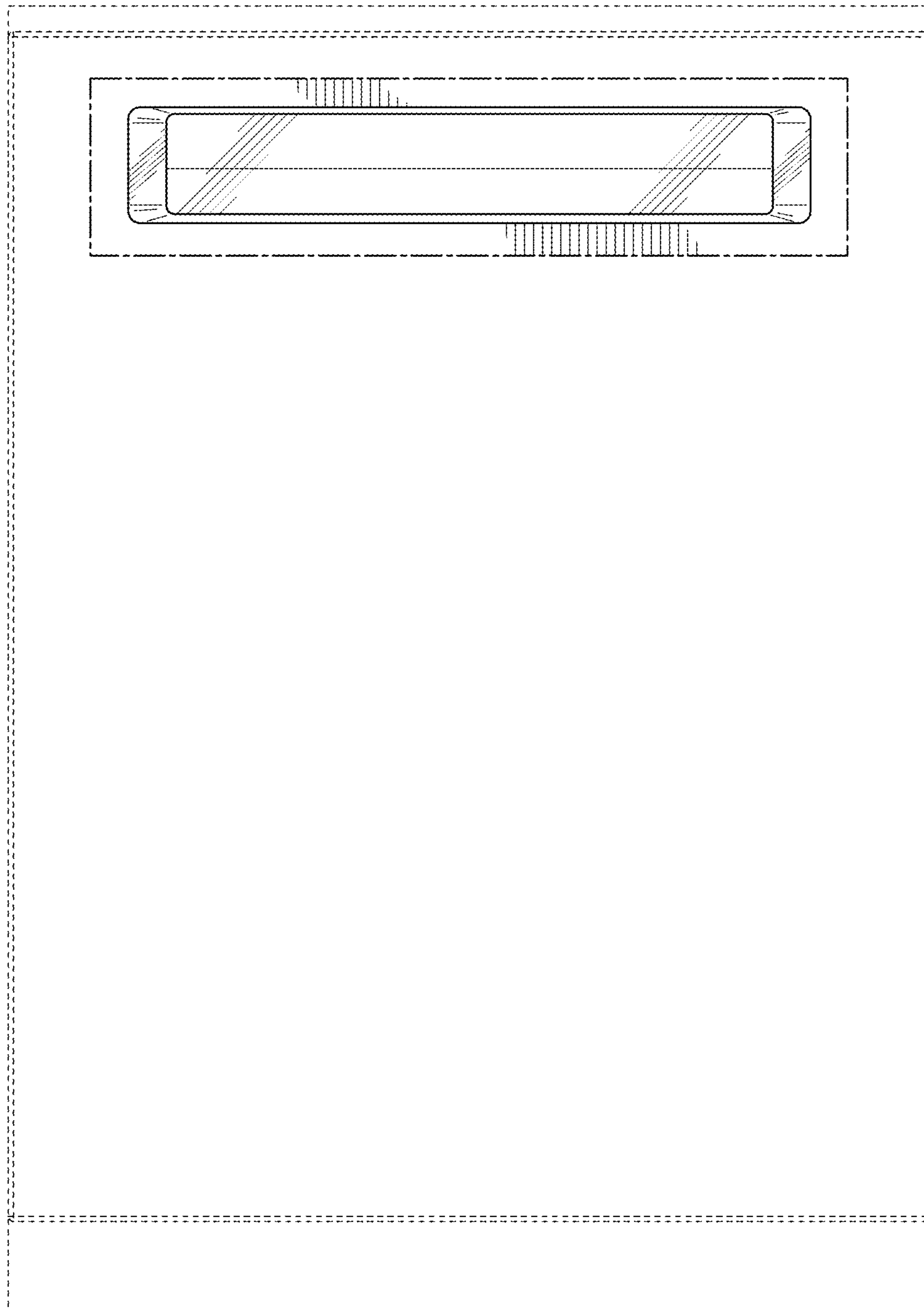


FIG. 2

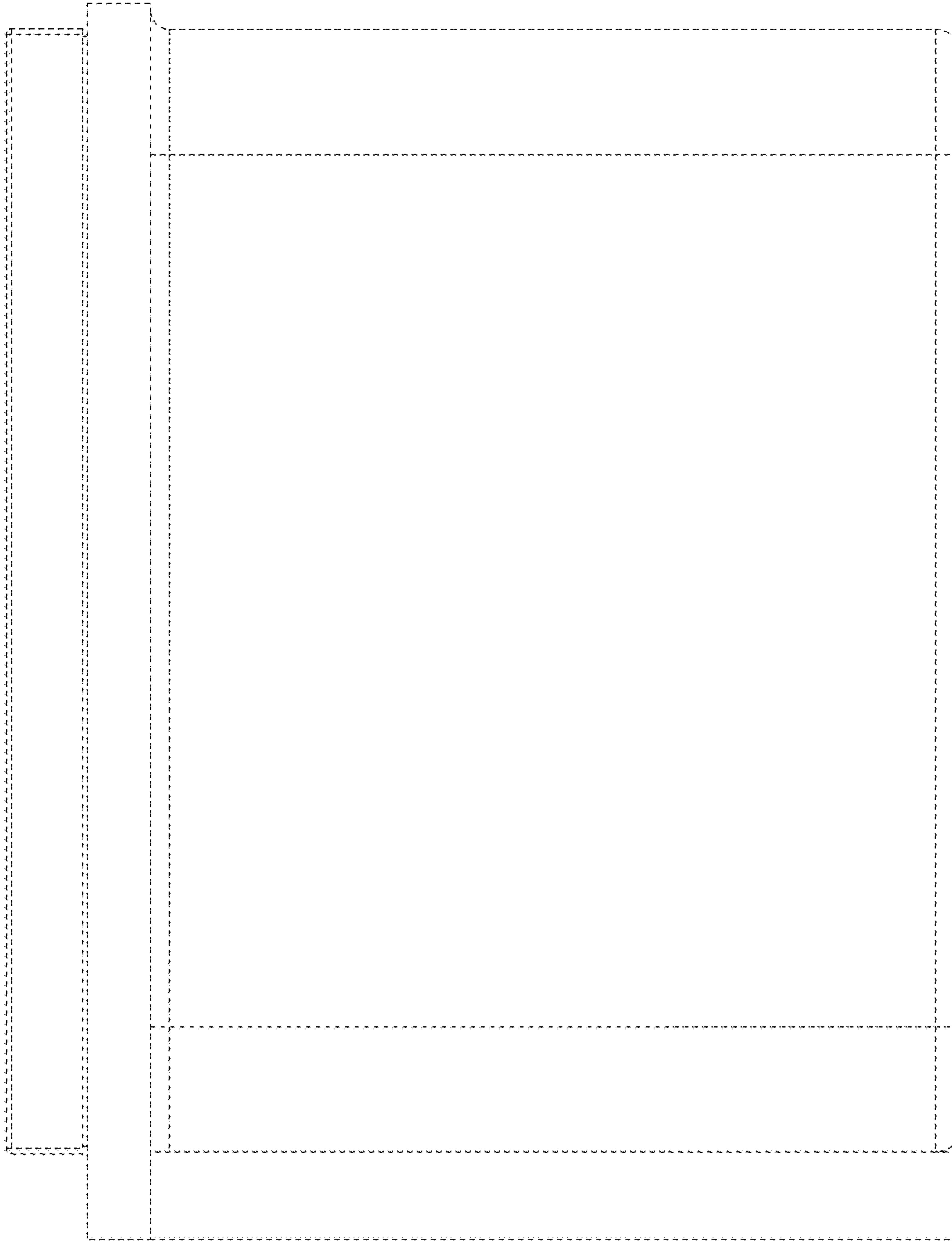


FIG. 3

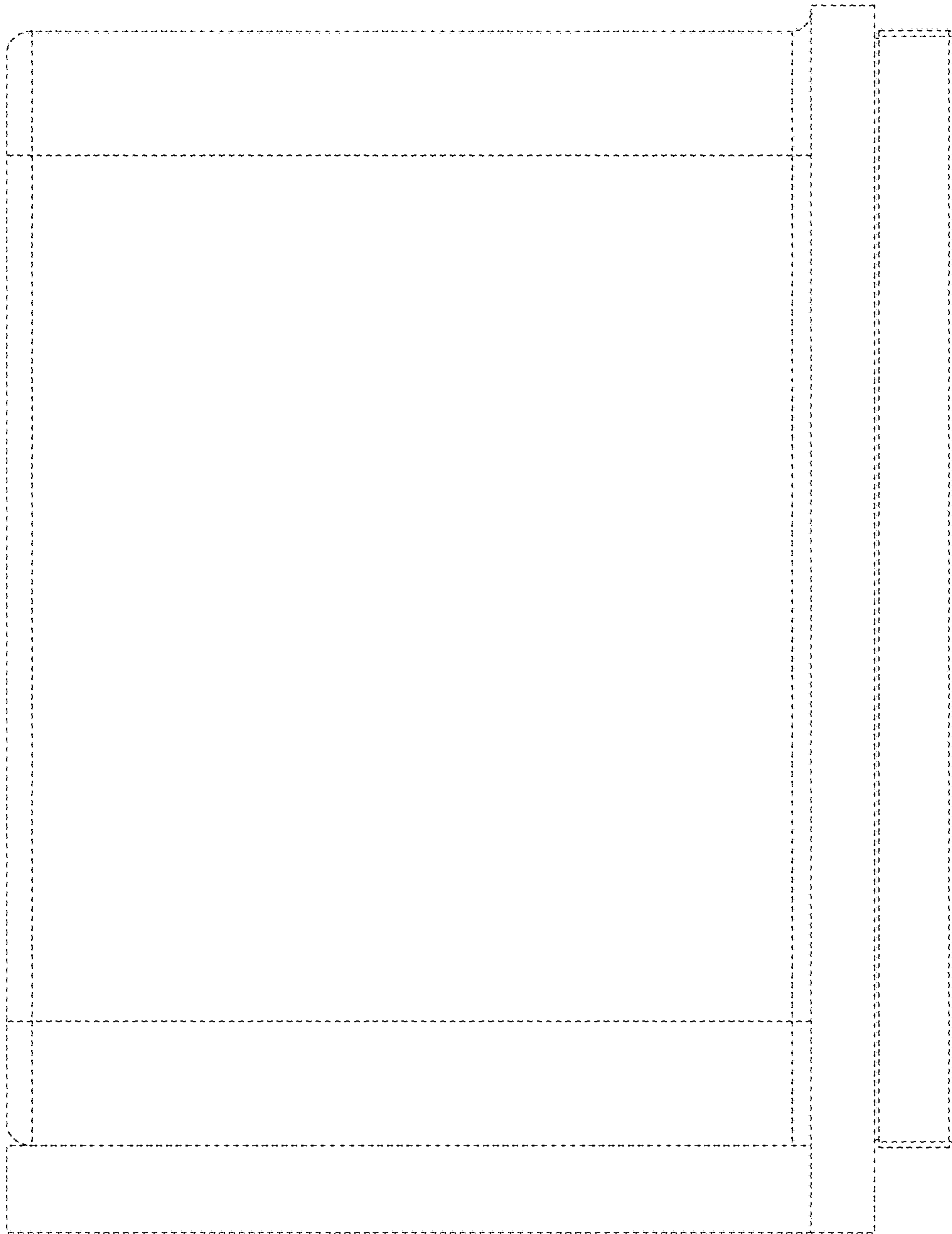


FIG. 4

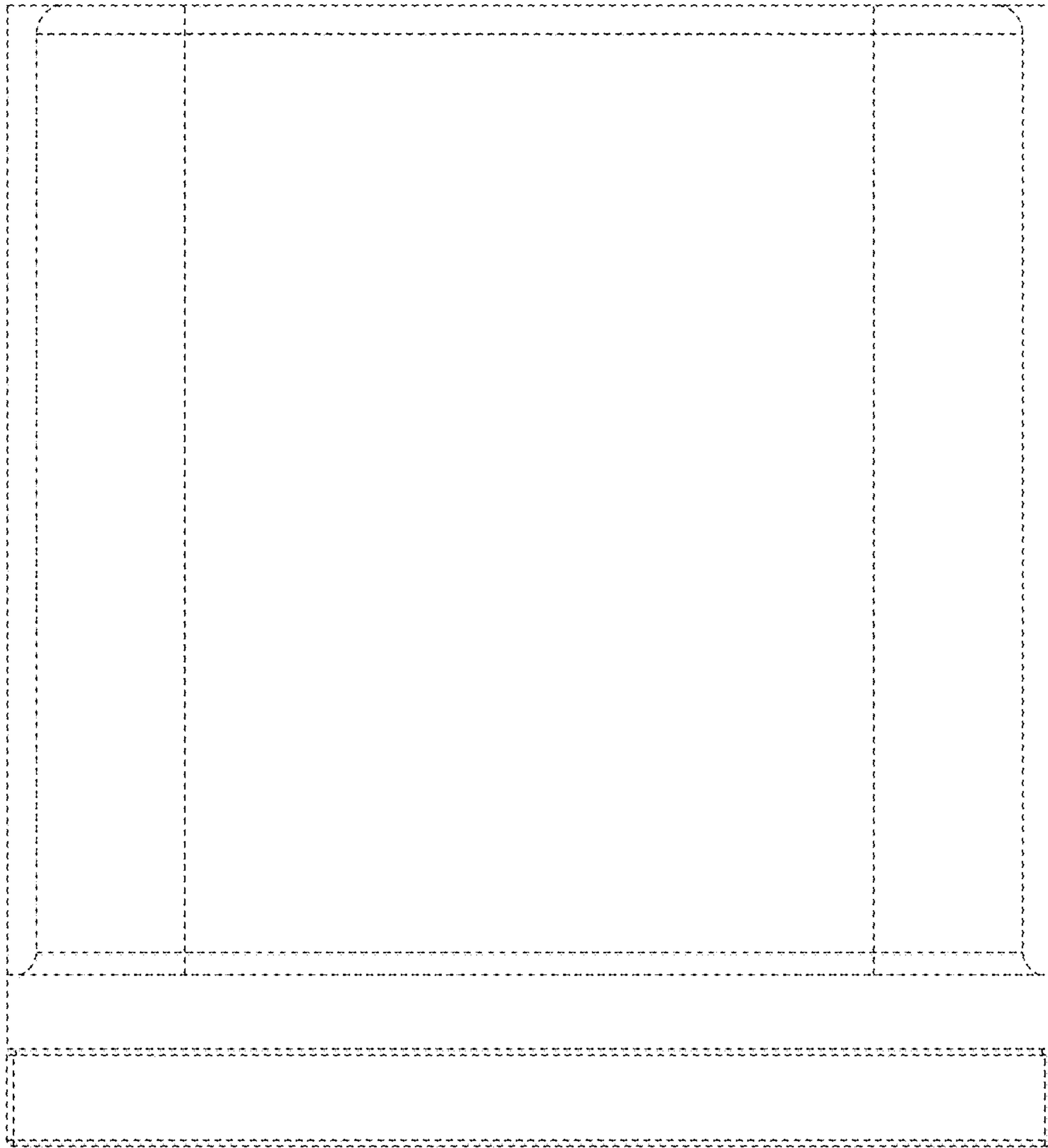


FIG. 5

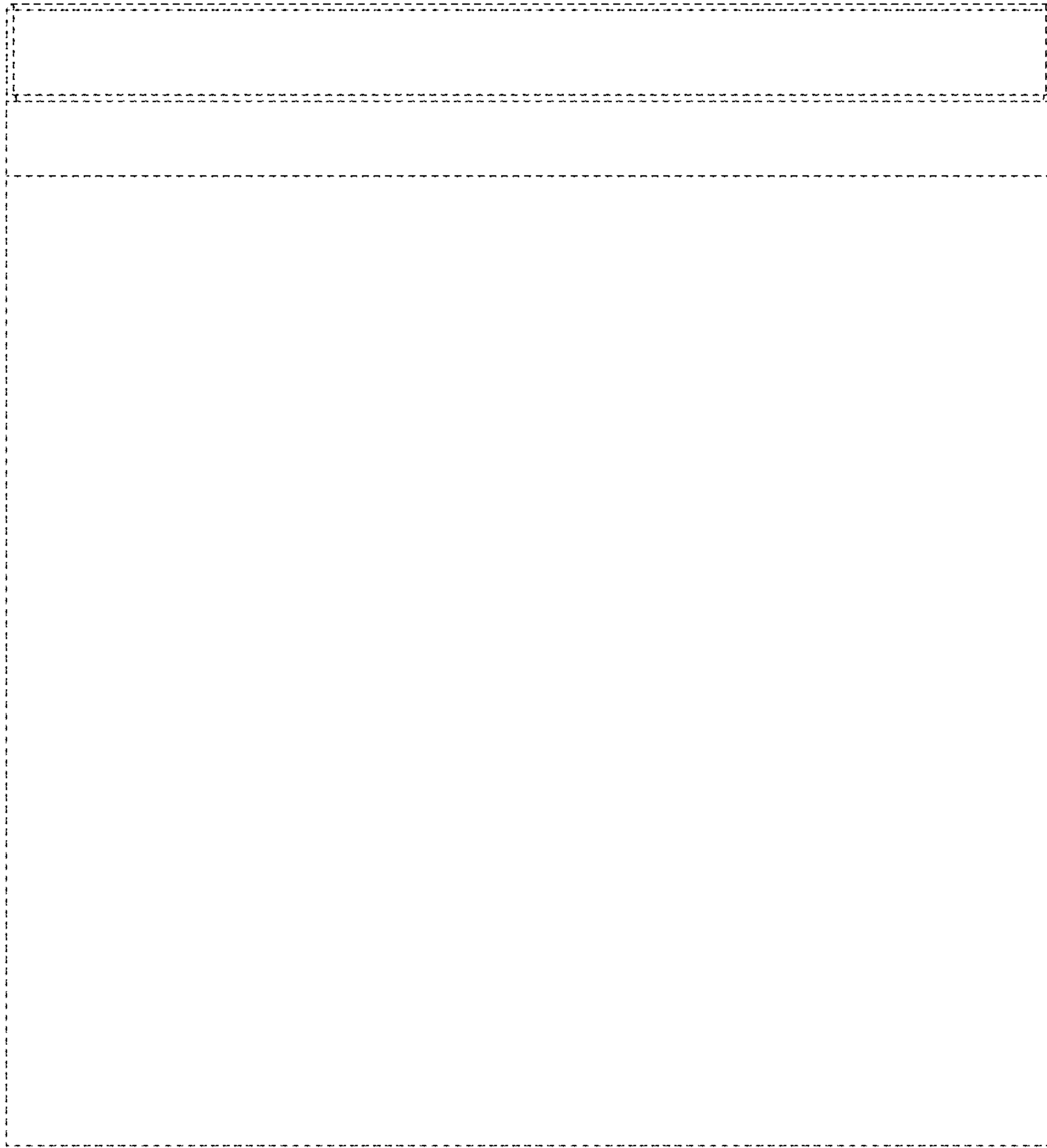


FIG. 6

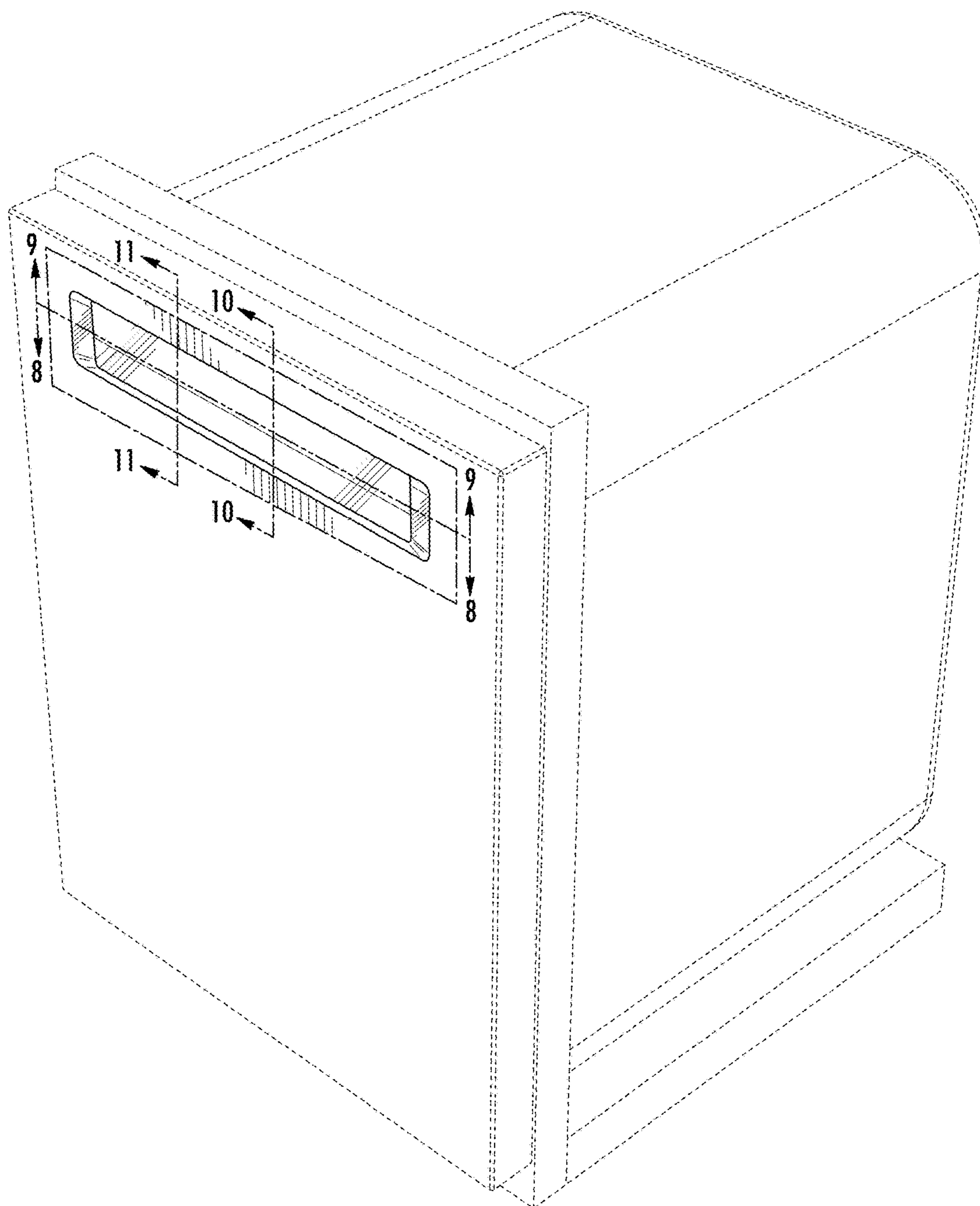


FIG. 7

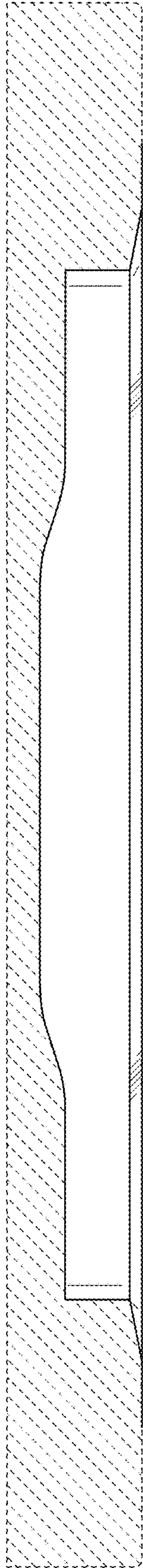


FIG. 8

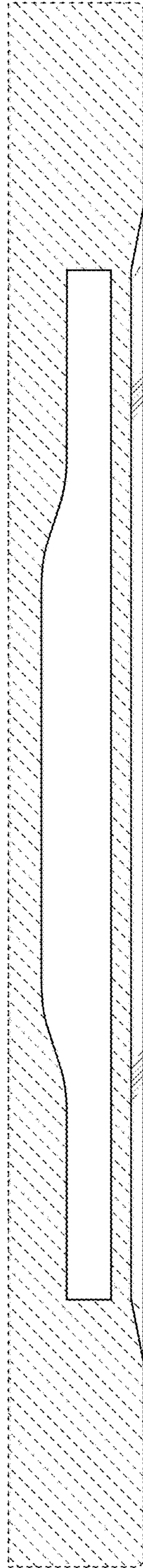


FIG. 9

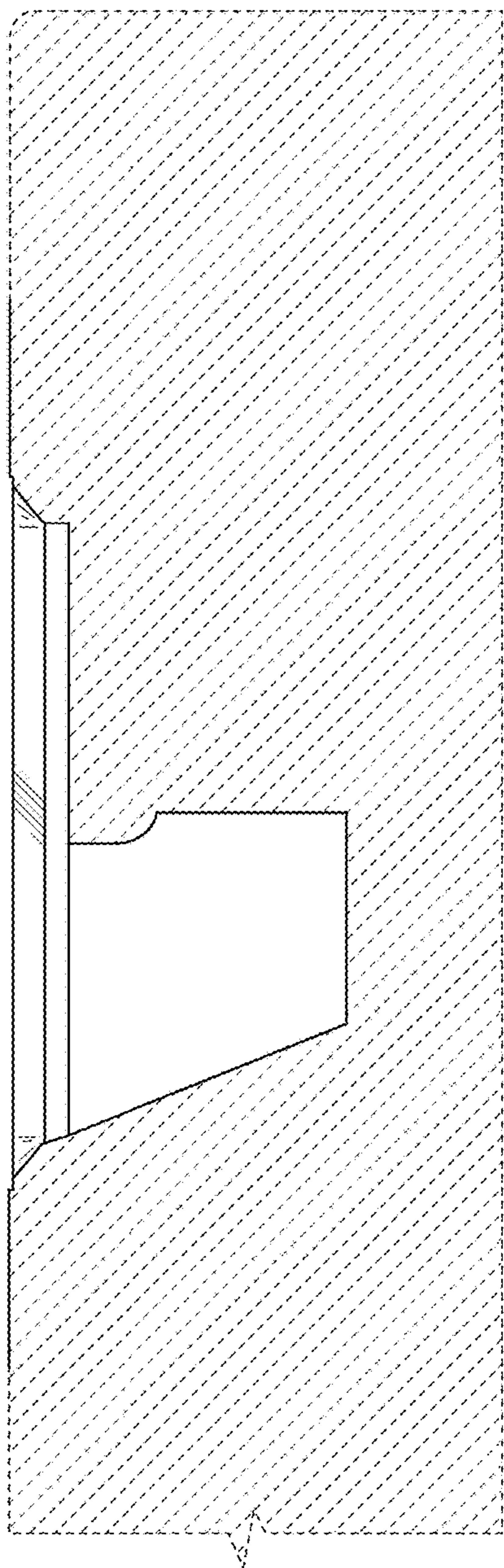


FIG. 10

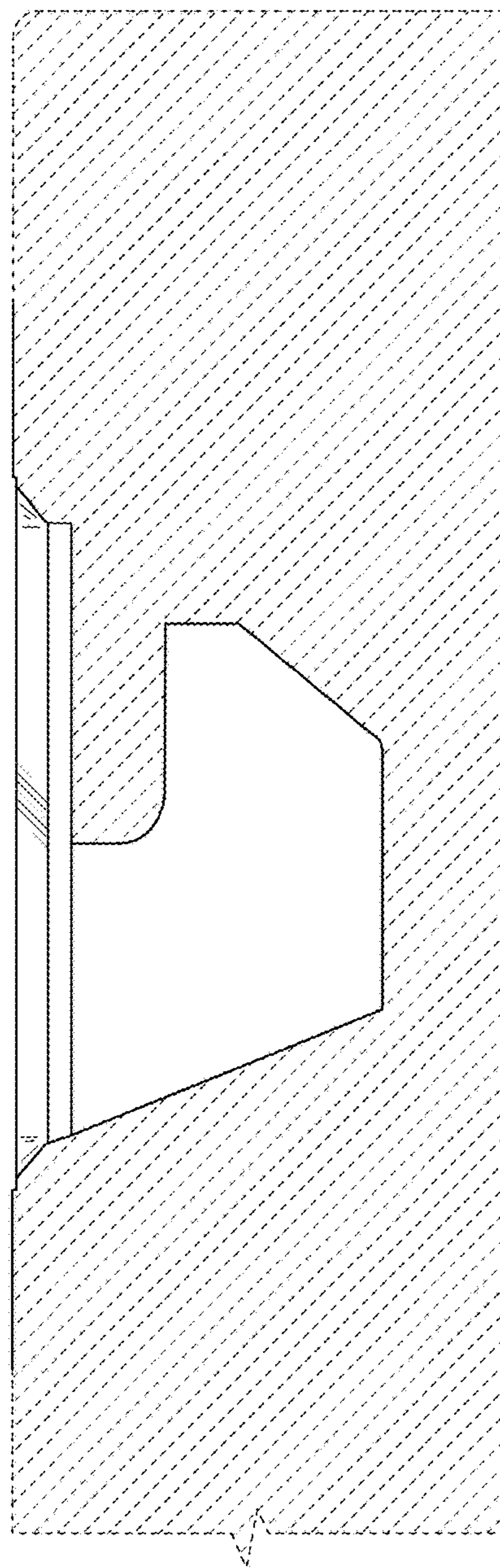


FIG. 11

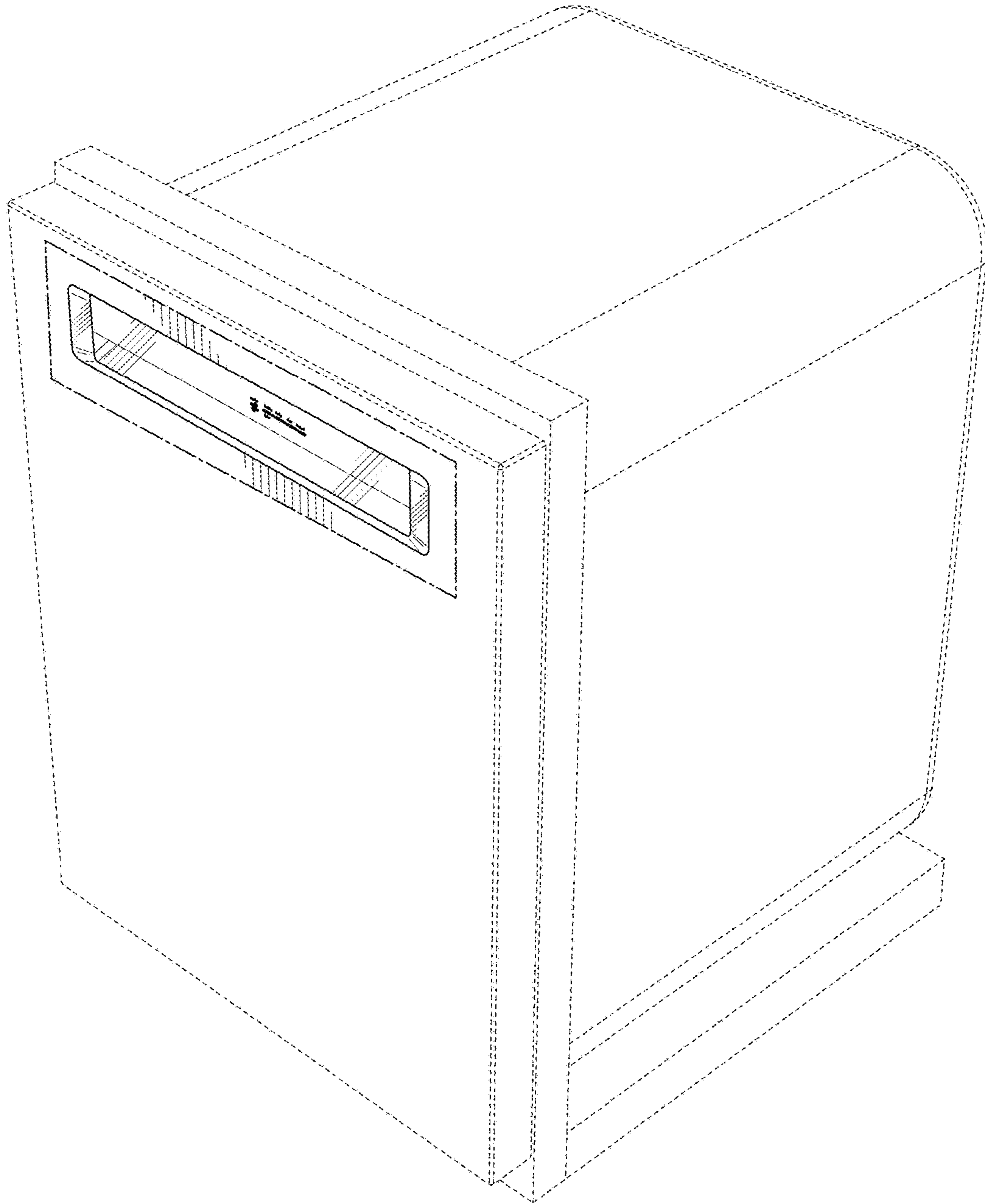


FIG. 12

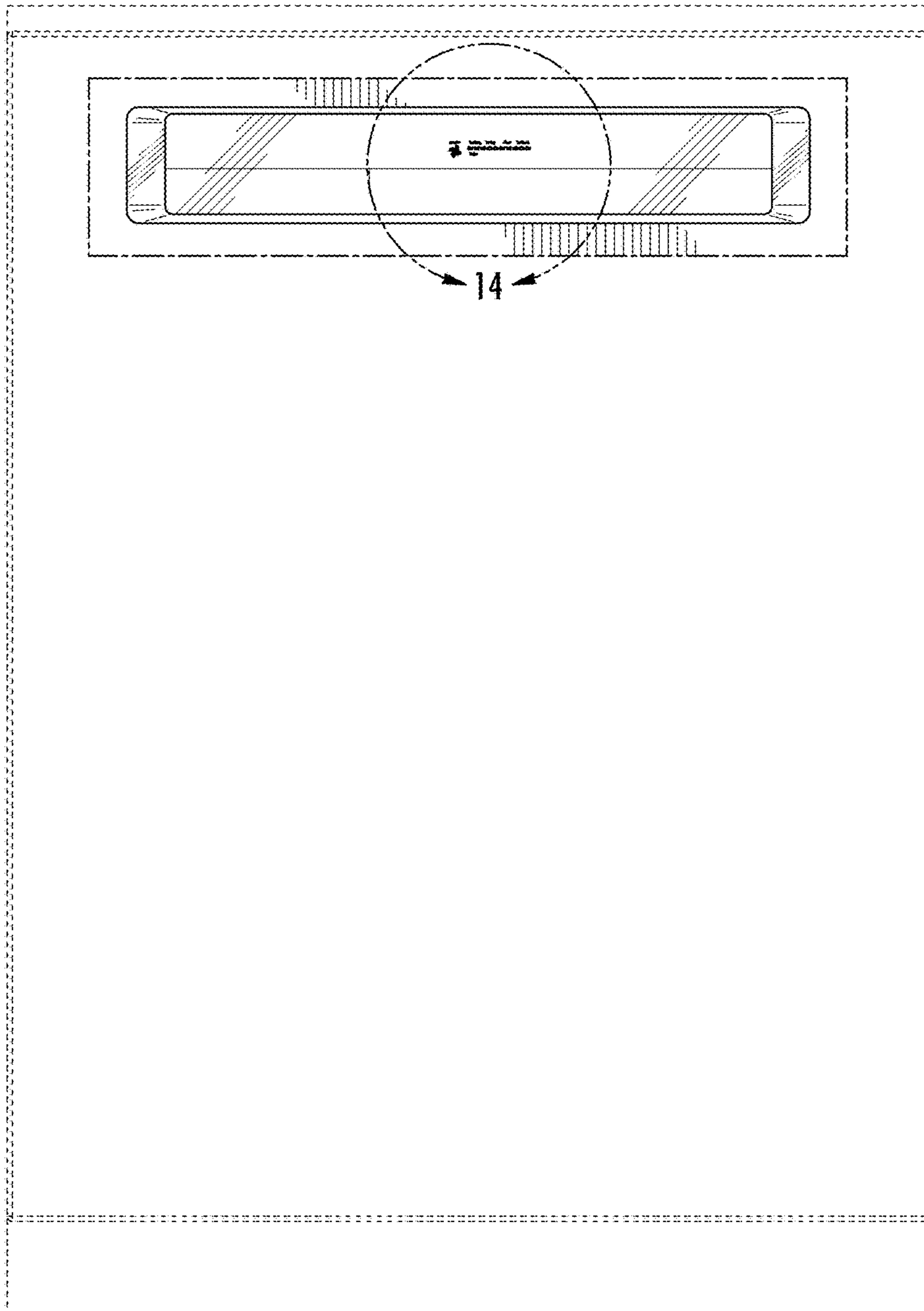


FIG. 13

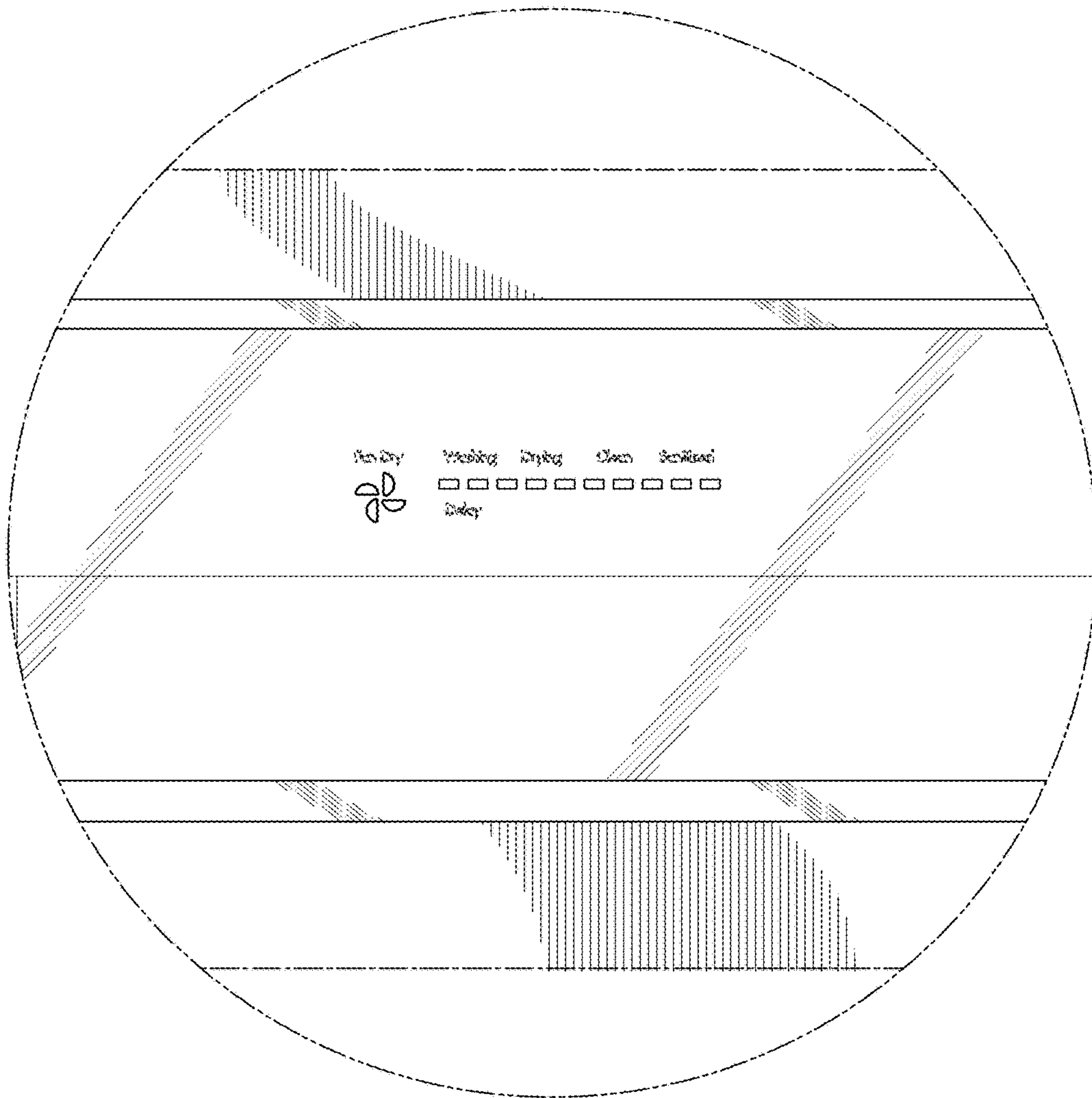


FIG. 14