



US00D839500S

(12) **United States Design Patent** (10) **Patent No.:** **US D839,500 S**
Pearson (45) **Date of Patent:** **** Jan. 29, 2019**

- (54) **MILKING CLAW FOR A MILKING MACHINE** 6,058,880 A * 5/2000 Gustafsson A01J 5/041
119/14.54
- 6,981,468 B1 * 1/2006 Steingraber A01J 5/041
119/14.54
- (71) Applicant: **Avon Polymer Products Limited,** D582,616 S * 12/2008 Helm D30/199
Melksham Wiltshire (GB) D626,707 S * 11/2010 Berentzen D30/199
- (72) Inventor: **Chris Pearson,** Melksham Wiltshire 2005/0229858 A1 * 10/2005 Steingraber A01J 5/041
(GB) 119/14.54
- 2006/0254524 A1 * 11/2006 Happel A01J 5/041
119/14.54

(73) Assignee: **AVON POLYMER PRODUCTS LIMITED,** Melksham, Wiltshire (GB)

(**) Term: **15 Years**

(21) Appl. No.: **29/581,141**

(22) Filed: **Oct. 17, 2016**

(51) **LOC (11) Cl.** **30-99**

(52) **U.S. Cl.**
USPC **D30/199**

(58) **Field of Classification Search**
USPC D30/199, 121; 119/14.54, 14.55, 14.36,
119/14.39, 14.37
CPC A01J 5/041
See application file for complete search history.

(56) **References Cited**

U.S. PATENT DOCUMENTS

- 4,314,526 A * 2/1982 Nordenskjold A01J 5/041
119/14.55
- 4,537,152 A * 8/1985 Thompson A01J 5/041
119/14.54
- 4,807,566 A * 2/1989 Chowdhury A01J 5/041
119/14.55
- 4,907,535 A * 3/1990 Matsuzawa A01J 5/041
119/14.55
- 5,291,853 A * 3/1994 Steingraber A01J 5/041
119/14.54
- 5,829,381 A * 11/1998 Nijkamp A01J 5/013
119/14.55

(Continued)

Primary Examiner — Susan Moon Lee

(74) *Attorney, Agent, or Firm* — McGarry Bair PC

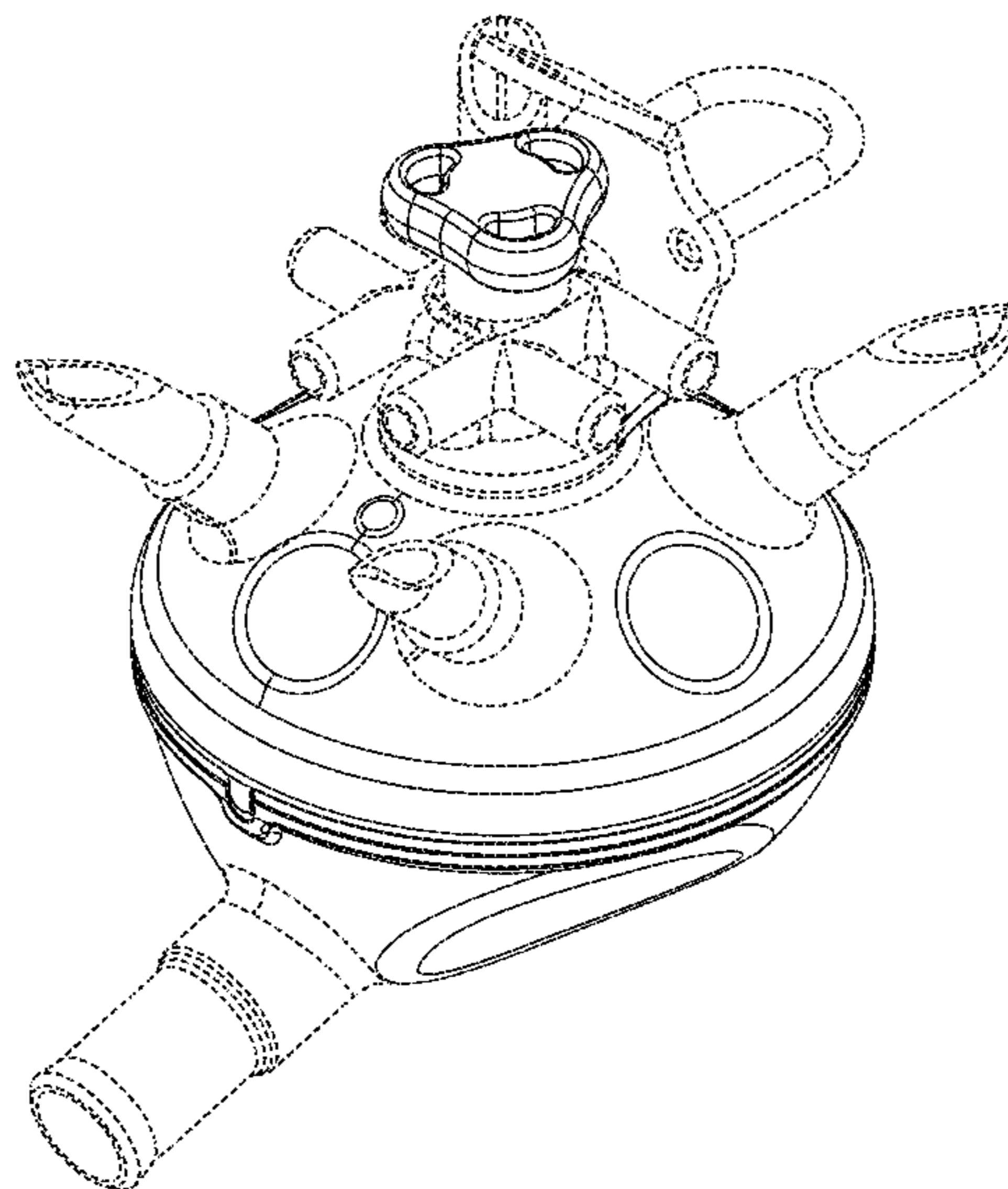
(57) **CLAIM**

The ornamental design for a milking claw for a milking machine, as shown and described.

DESCRIPTION

FIG. 1 is a perspective view of a milking claw for a milking machine according to a first embodiment of the design; FIG. 2 is a right side view thereof, FIG. 3 is a left side view thereof, FIG. 4 is a front view thereof, FIG. 5 is a back view thereof, FIG. 6 is a top view thereof, and FIG. 7 is a bottom view thereof. FIG. 8 is a perspective view of a milking claw for a milking machine according to a second embodiment of the design; FIG. 9 is a right side view thereof, FIG. 10 is a left side view thereof, FIG. 11 is a front view thereof, FIG. 12 is a back view thereof, FIG. 13 is a top view thereof; and, FIG. 14 is a bottom view thereof. Broken lines and unshaded portions contained within broken lines depict portions of the milking claw for a milking machine that form no part of the claimed design but are shown for purposes of illustration.

1 Claim, 14 Drawing Sheets



(56)

References Cited

U.S. PATENT DOCUMENTS

2007/0137582	A1*	6/2007	Boast	A01J 5/044 119/14.54
2007/0272160	A1*	11/2007	Berentzen	A01J 5/041 119/14.54
2014/0033982	A1*	2/2014	Serafini	A01J 5/041 119/14.54

* cited by examiner

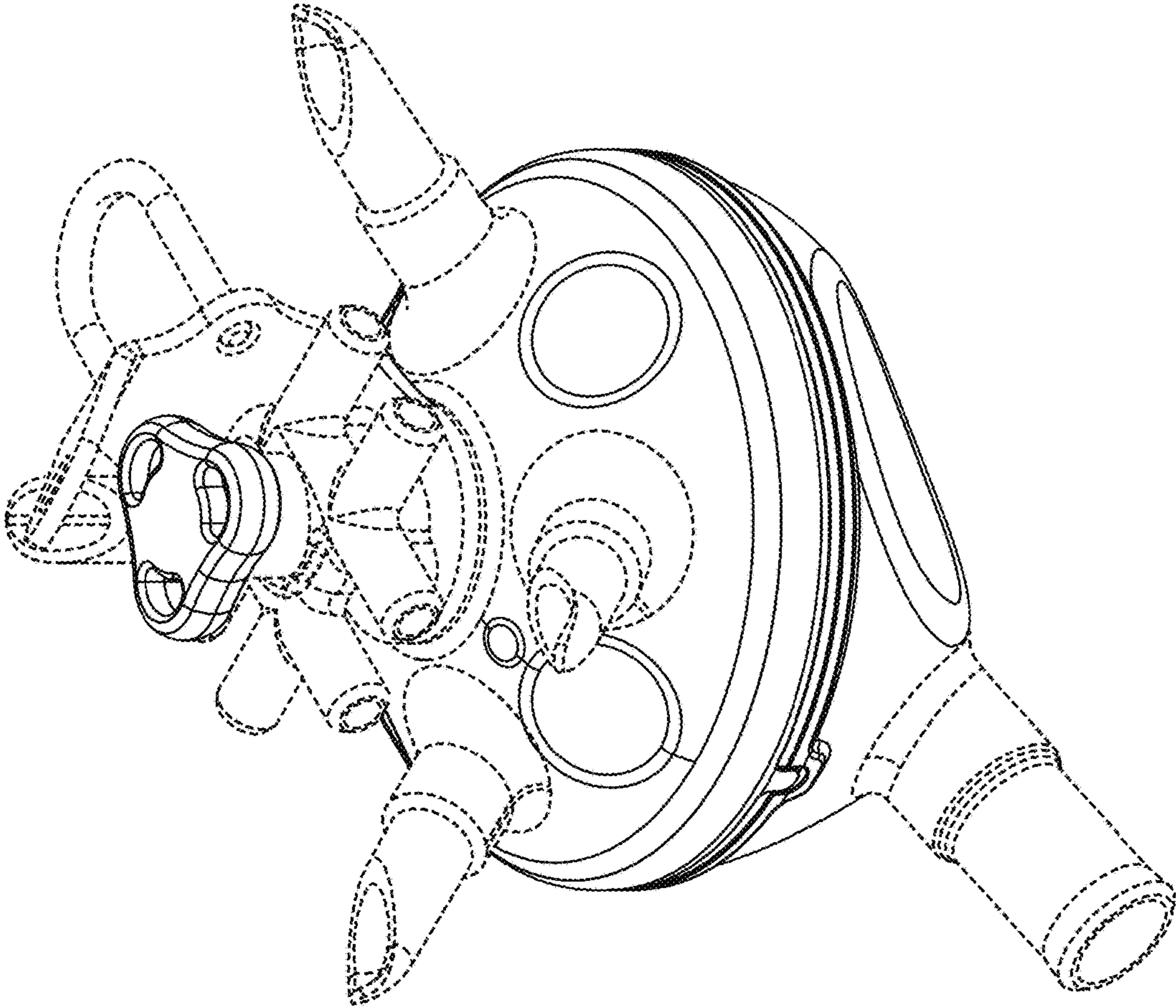


FIG. 1

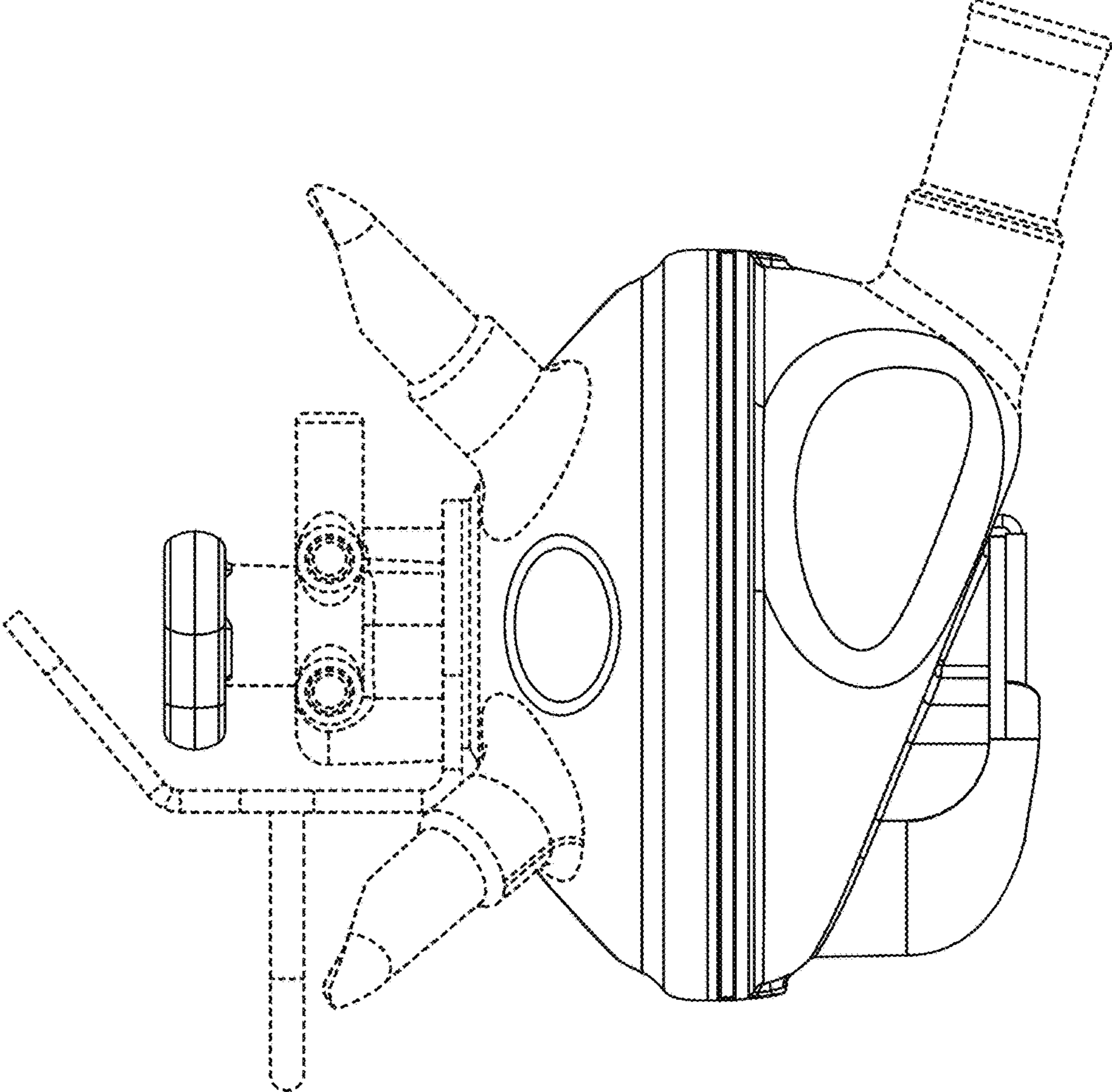


FIG. 2

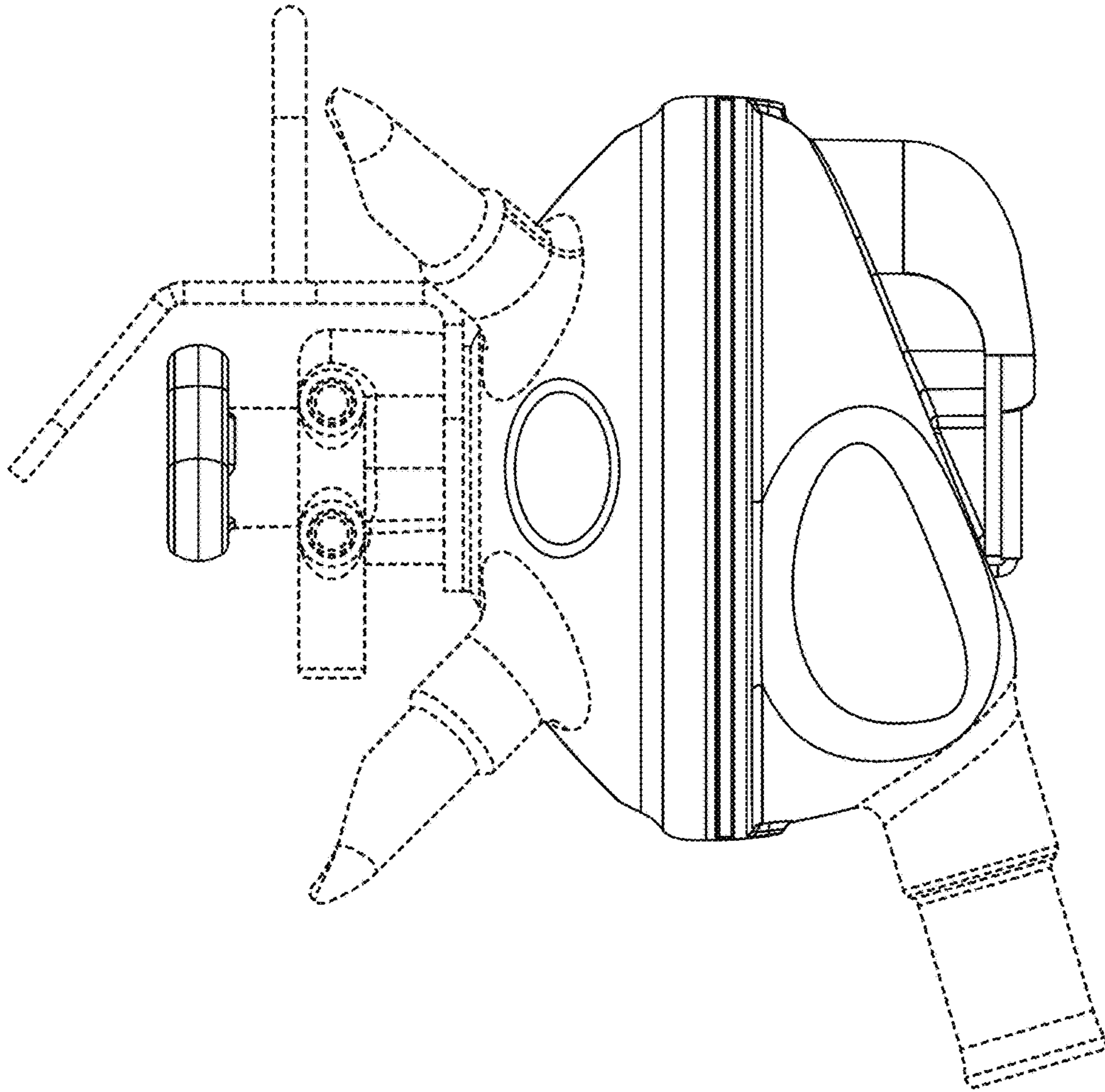


FIG. 3

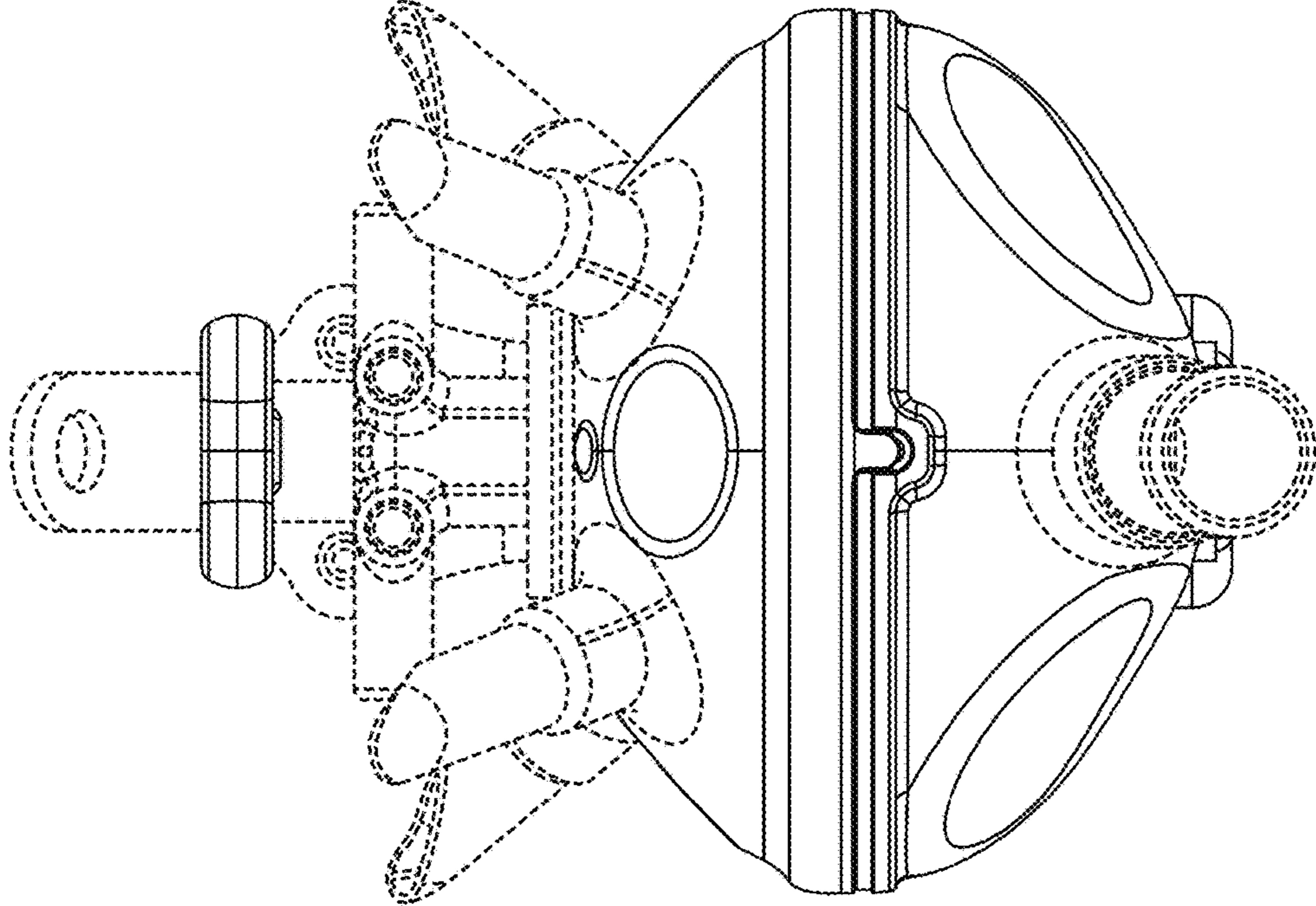


FIG. 4

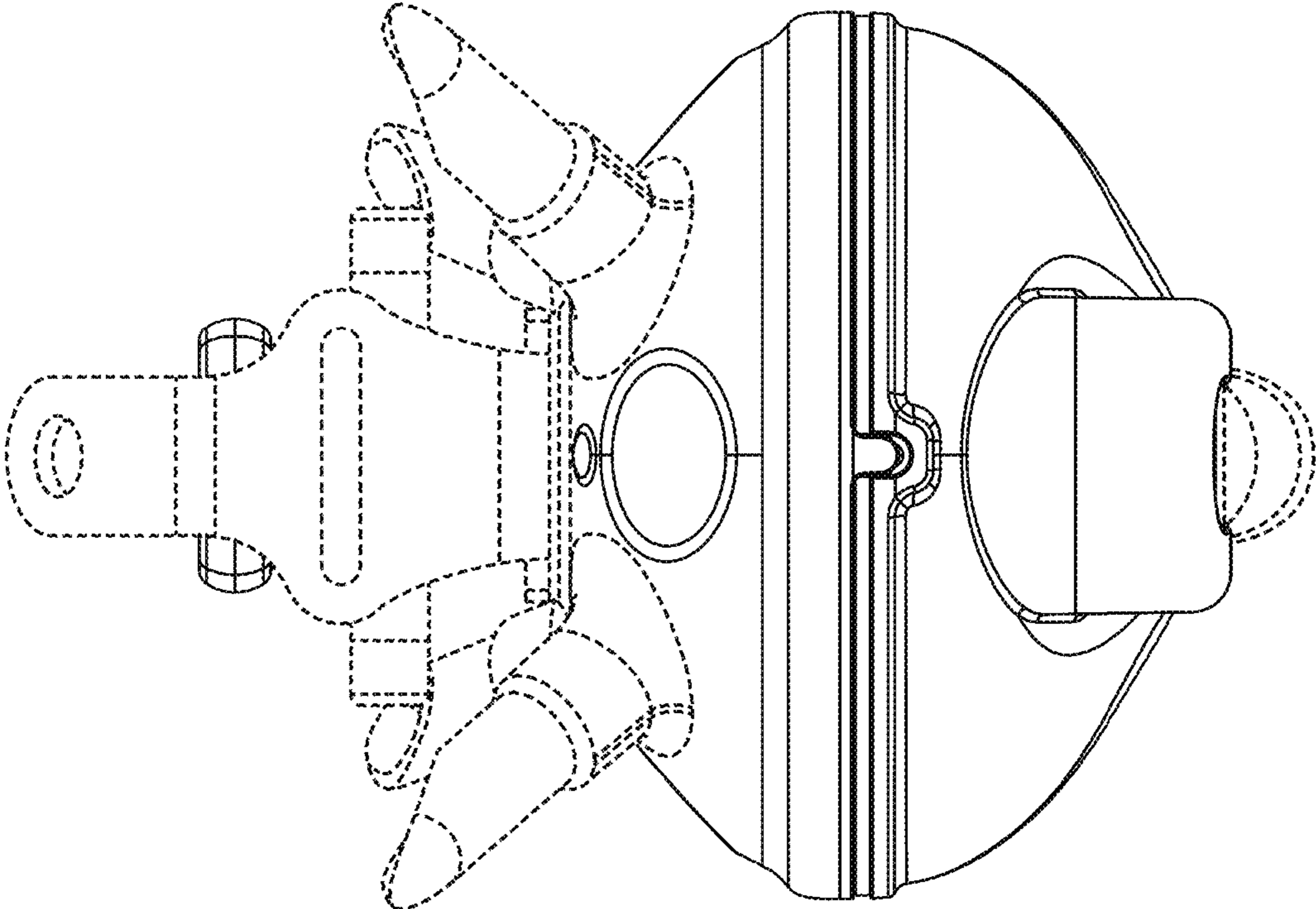


FIG. 5

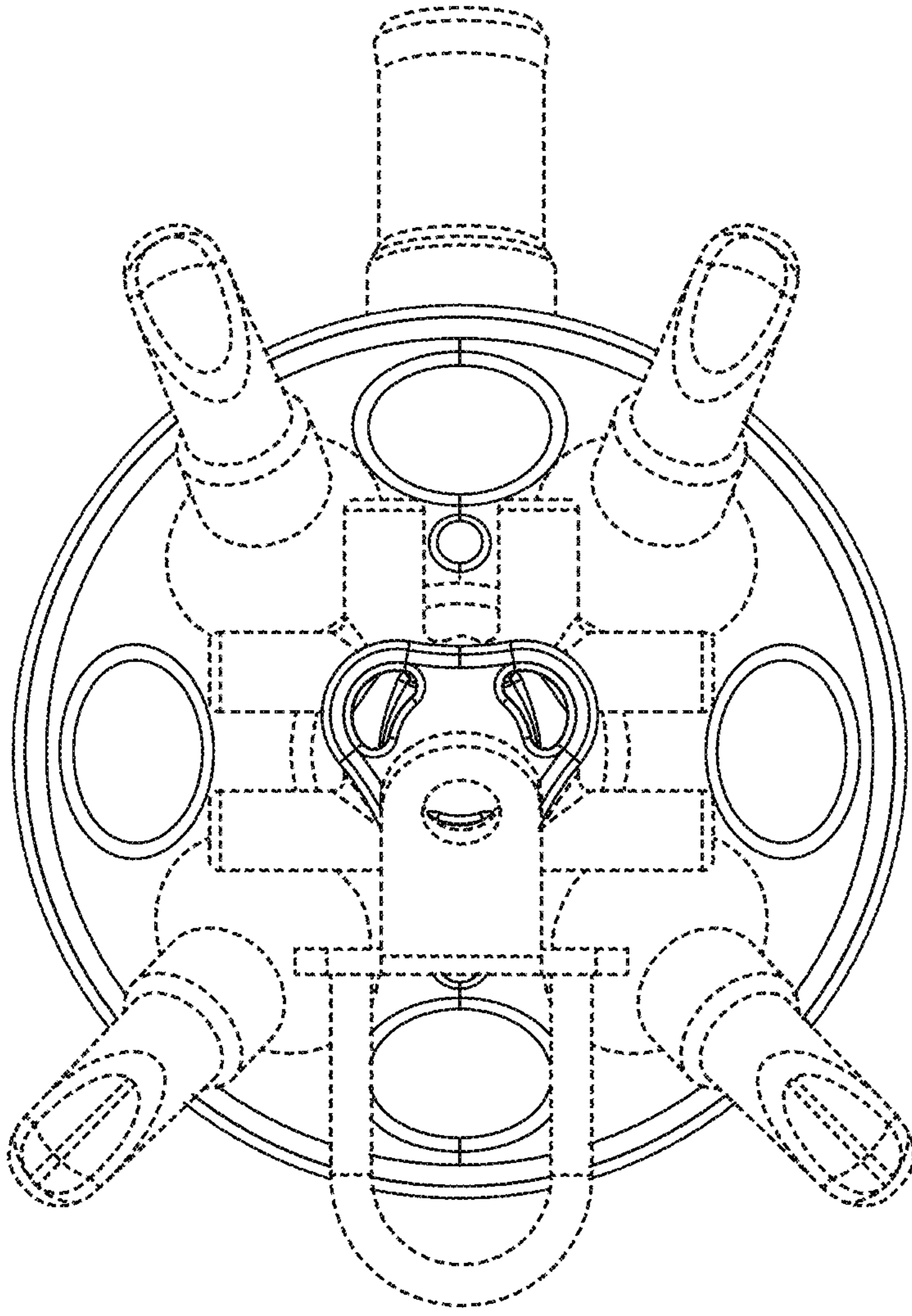


FIG. 6

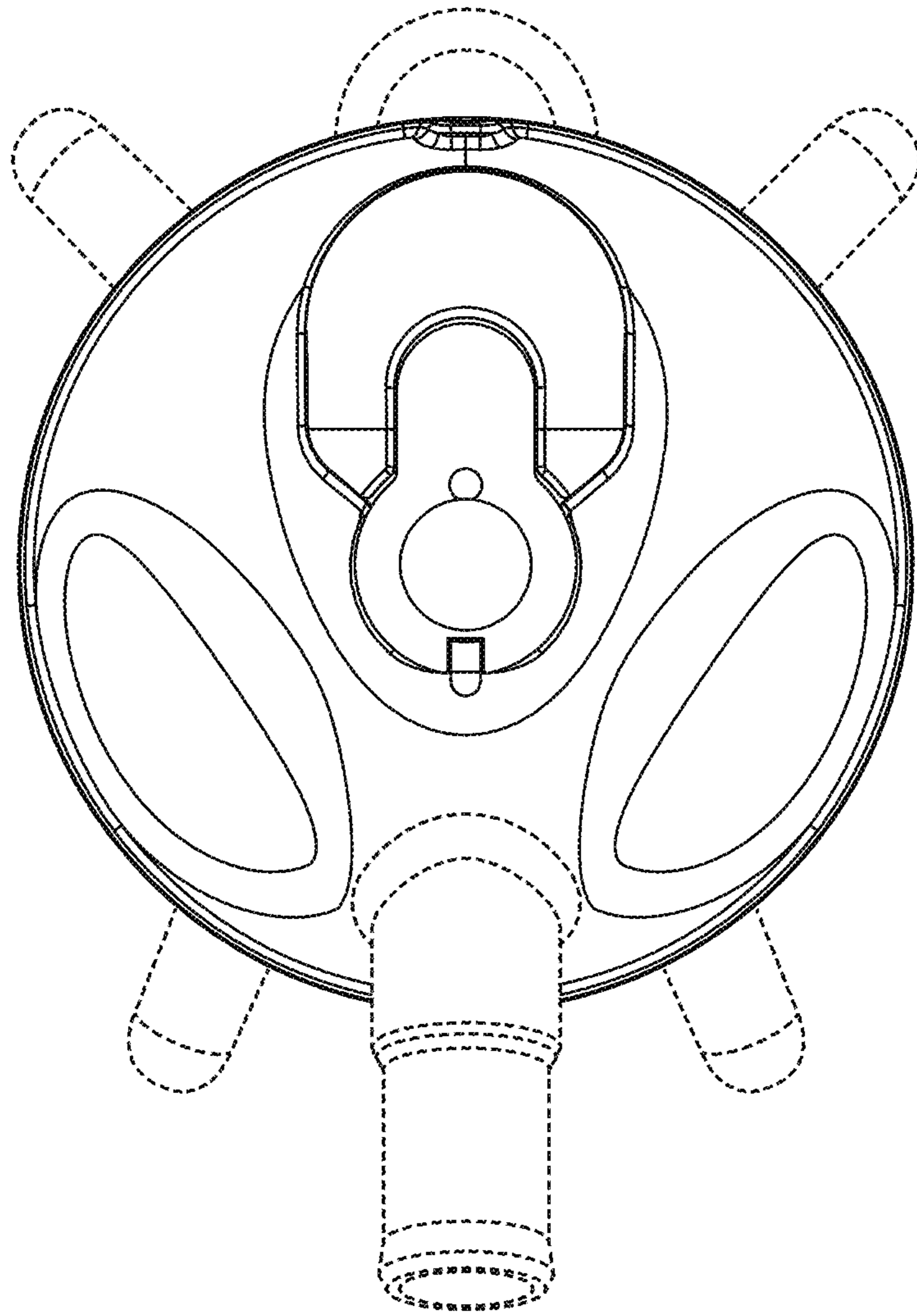


FIG. 7

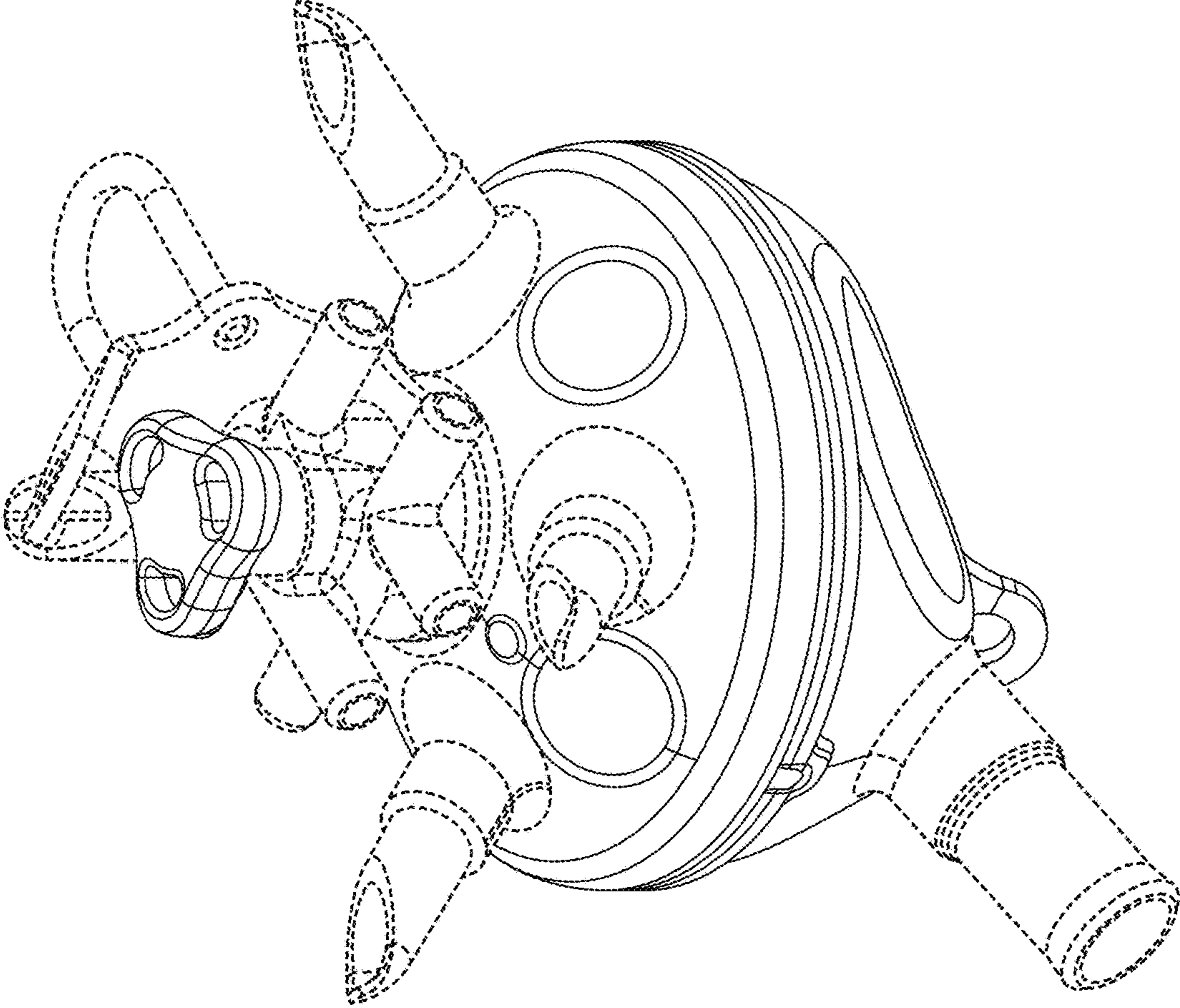


FIG. 8

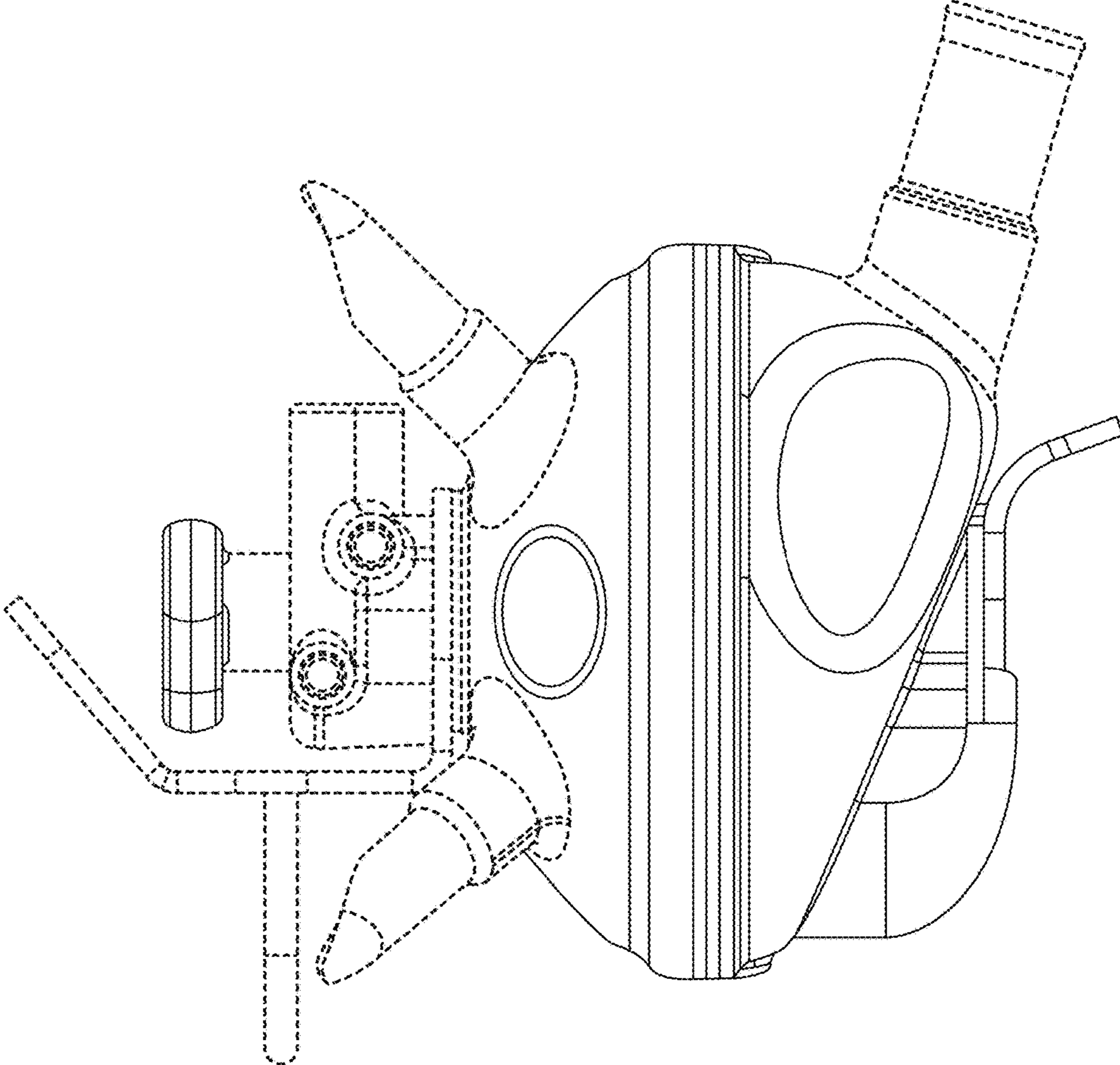


FIG. 9

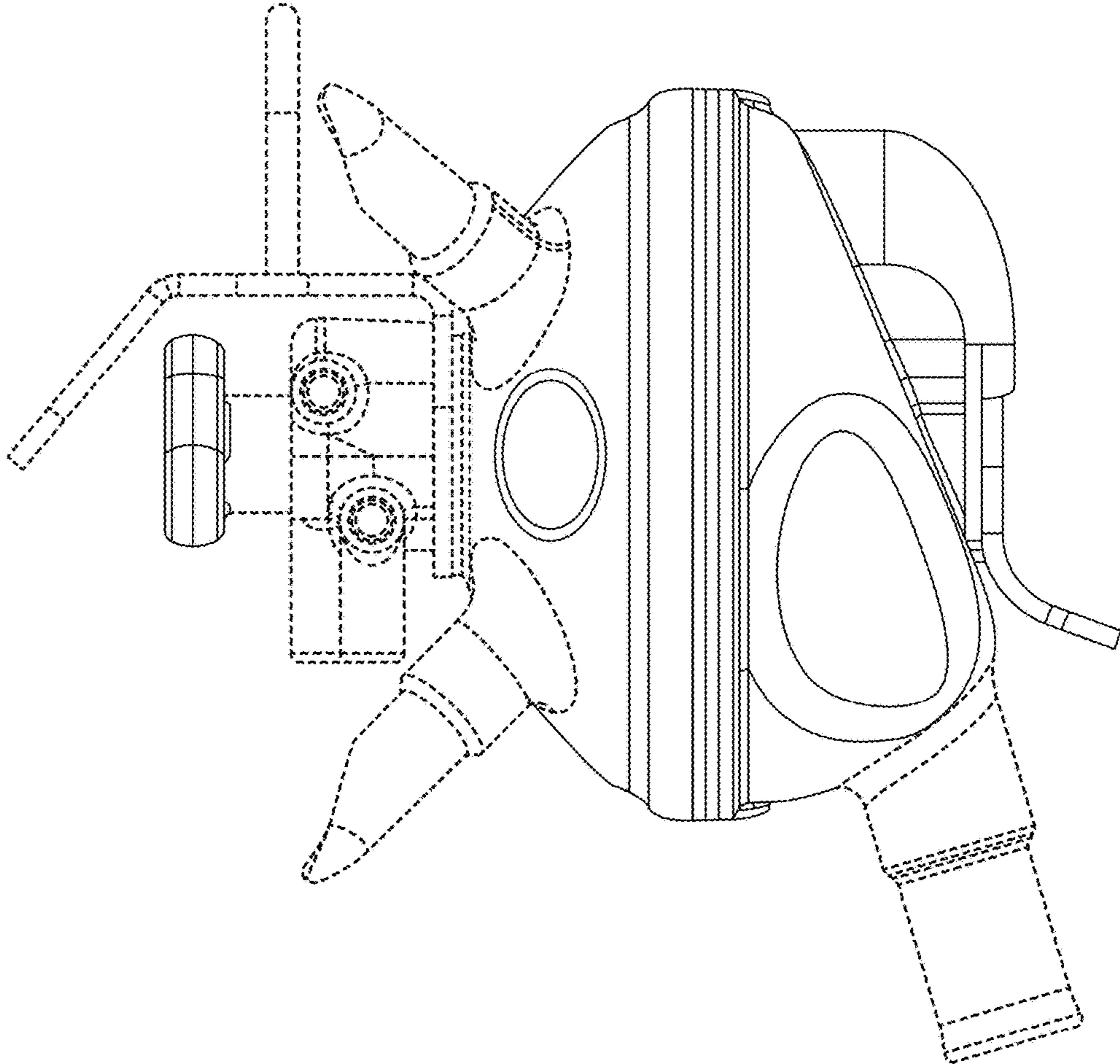


FIG. 10

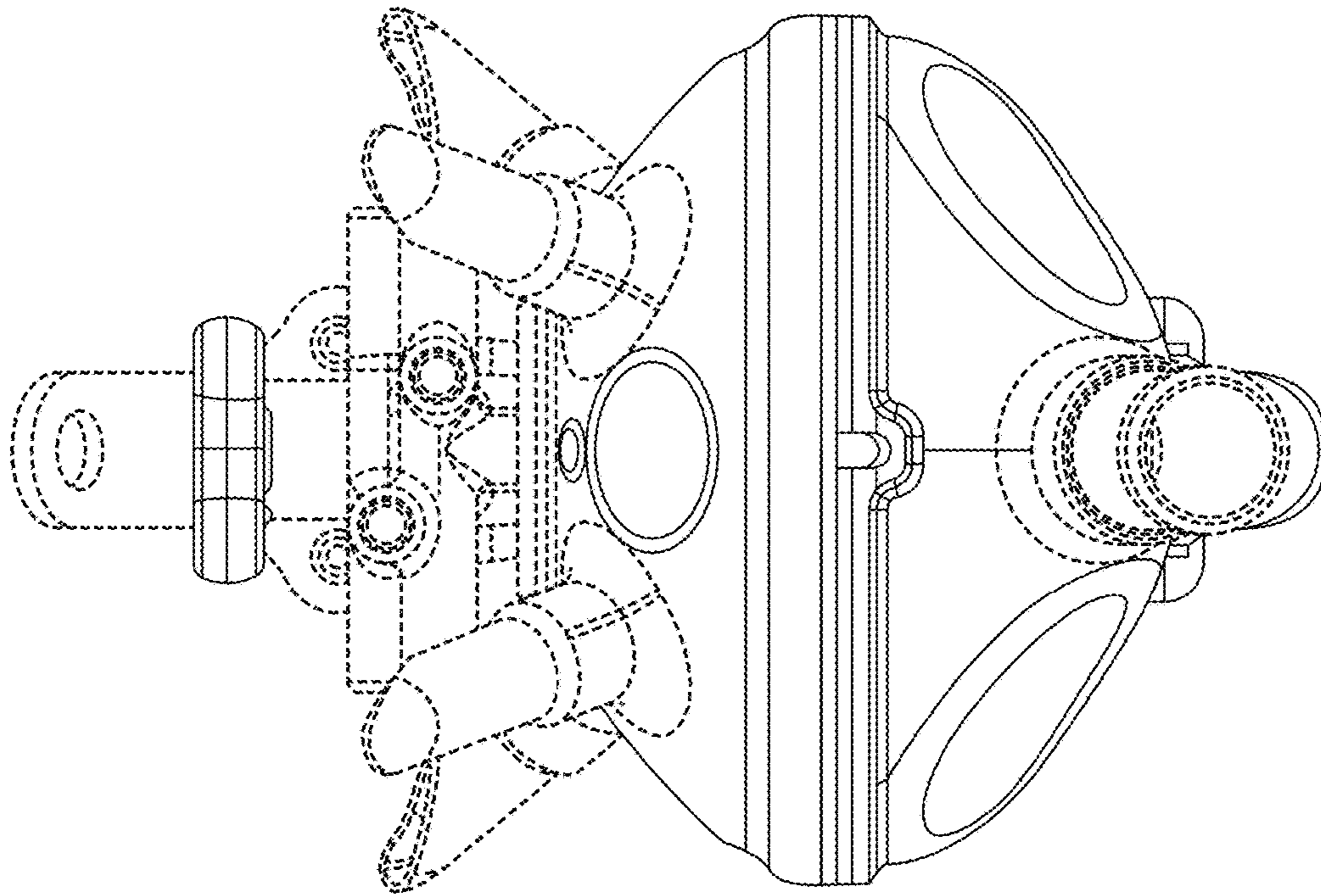


FIG. 11

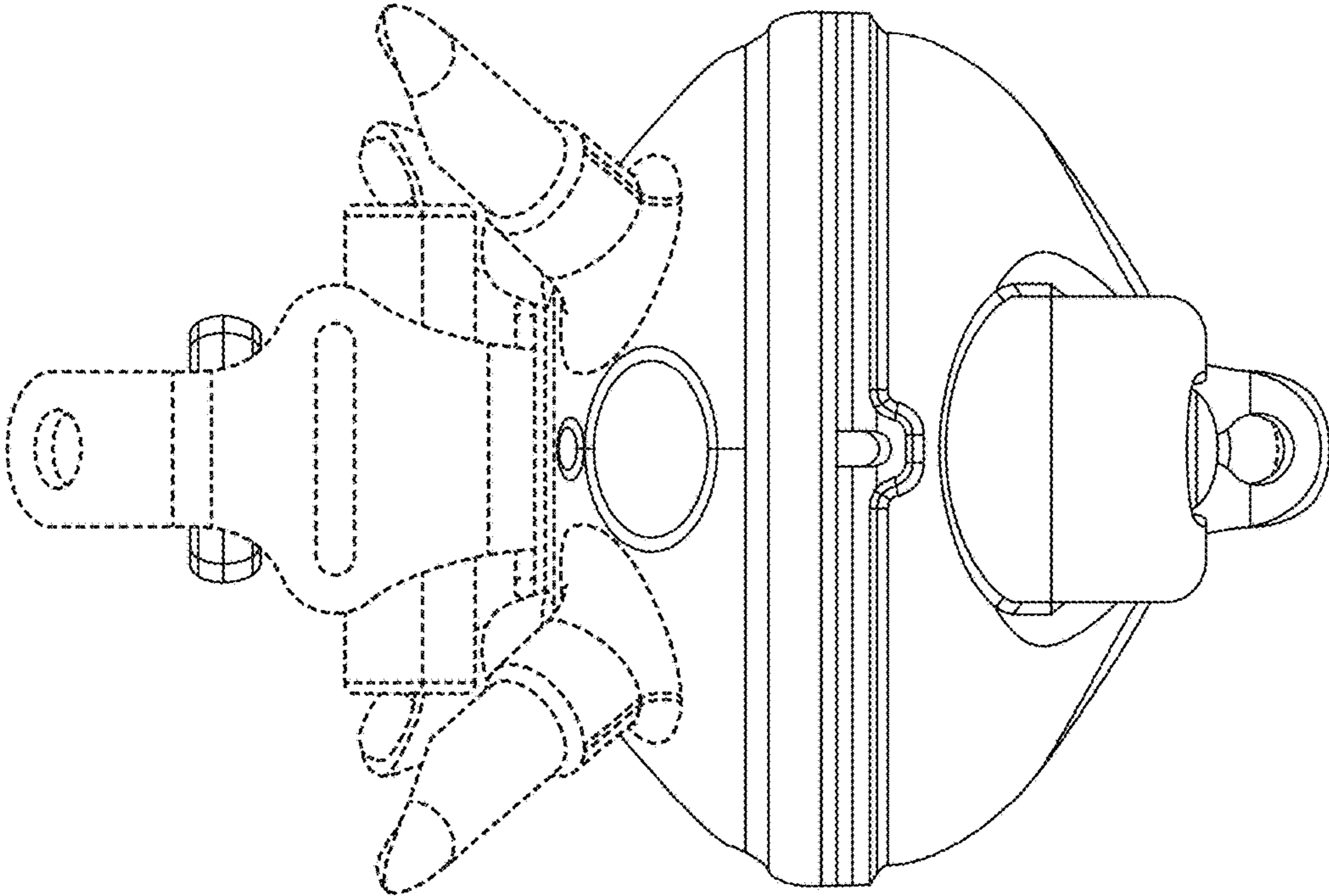


FIG. 12

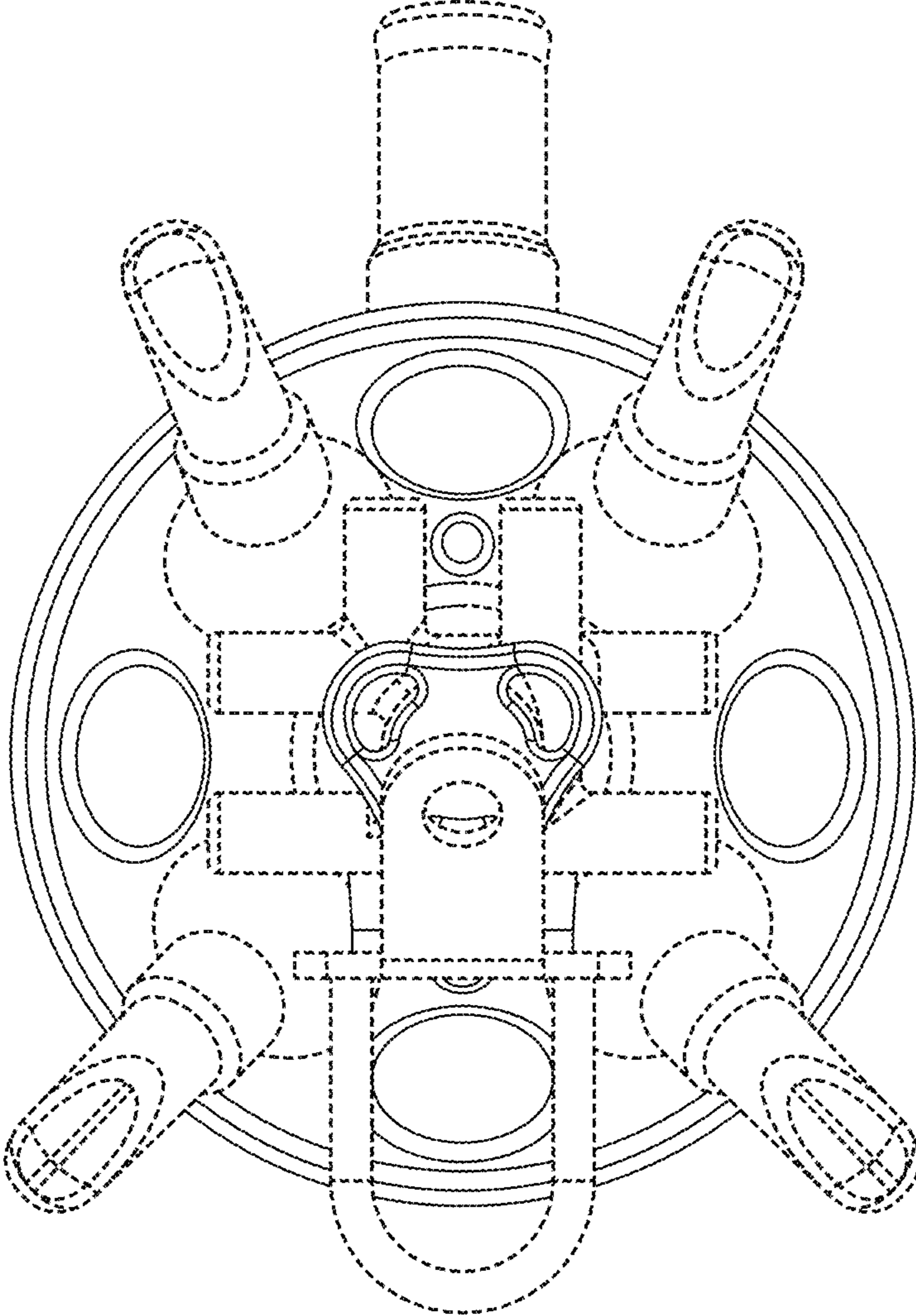


FIG. 13

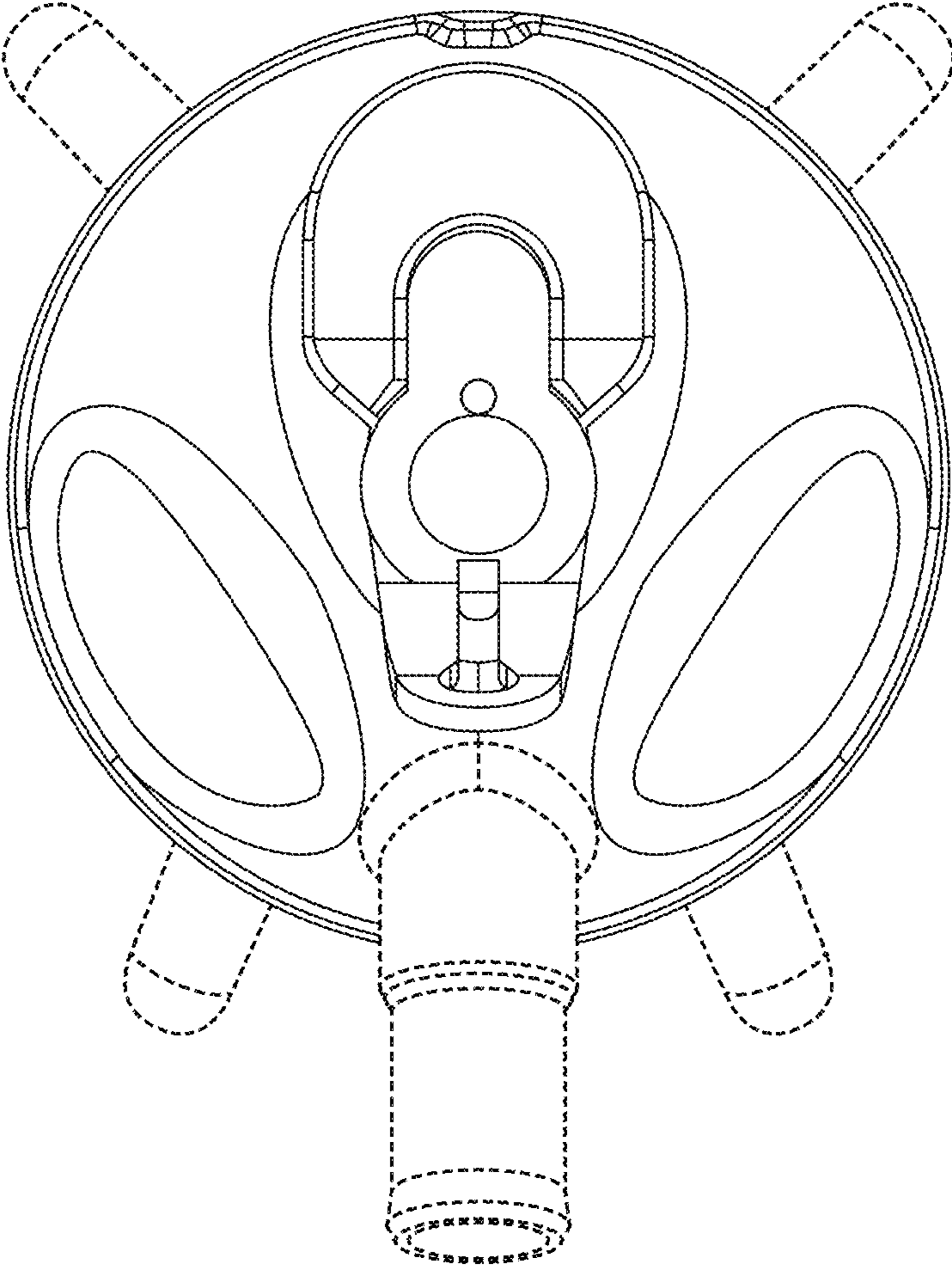


FIG. 14