



US00D839499S

(12) **United States Design Patent**
Han

(10) **Patent No.:** **US D839,499 S**
(45) **Date of Patent:** **** Jan. 29, 2019**

- (54) **DISPOSABLE PET WASTE COLLECTOR**
- (71) Applicant: **Dong Han**, Shenzhen (CN)
- (72) Inventor: **Dong Han**, Shenzhen (CN)
- (**) Term: **15 Years**
- (21) Appl. No.: **29/616,701**
- (22) Filed: **Sep. 7, 2017**
- (51) **LOC (11) Cl.** **30-99**
- (52) **U.S. Cl.**
USPC **D30/162**
- (58) **Field of Classification Search**
USPC D30/161, 162, 151, 144, 140, 137, 106,
D30/199; 119/867, 868, 161, 163, 164,
119/170, 717, 712; 294/1.3-1.5, 214;
43/7-12; 15/257.1, 257.7; 206/496;
383/33, 34, 34.1, 6, 12, 13, 68; 30/99;
D32/74, 49; D8/14, 106, 107, 499;
D34/1, 5, 28, 6; 248/99, 98, 97;
141/391; 220/9.4
CPC A01K 23/00; A01K 23/005; E01H 1/1206;
E01H 1/1213; E01H 1/12; E01H
2001/122; E01H 2001/1226; E01H
2001/1233; E01H 2001/128; E01H
2001/1286; E01H 2001/1293; E01H
2001/1273; E01H 2001/126; B65B 67/12;
B65B 67/1205; B65B 67/1238
See application file for complete search history.

- (56) **References Cited**
U.S. PATENT DOCUMENTS
558,531 A * 4/1896 Tarr B65B 67/12
248/99
972,870 A * 10/1910 Kandlbinder B65B 67/12
248/99
2,149,042 A * 2/1939 Branthover B65B 67/12
248/100
3,733,099 A * 5/1973 Szita B65B 67/1238
294/1.4

- 3,747,653 A * 7/1973 Ringer A47L 13/52
15/257.1
- 4,188,005 A * 2/1980 Lee F16M 11/32
220/9.4
- 4,191,414 A * 3/1980 Dameron B65B 67/1238
294/1.4
- 4,196,928 A * 4/1980 Spangler A01D 51/00
15/104.8
- 4,548,372 A * 10/1985 Lutzker A01D 51/00
141/390
- D318,940 S * 8/1991 McIntyre D34/6
- 5,711,498 A * 1/1998 Wittlinger B65B 67/12
248/97

(Continued)

Primary Examiner — Susan Moon Lee
(74) *Attorney, Agent, or Firm* — ScienBiziP, P.C.

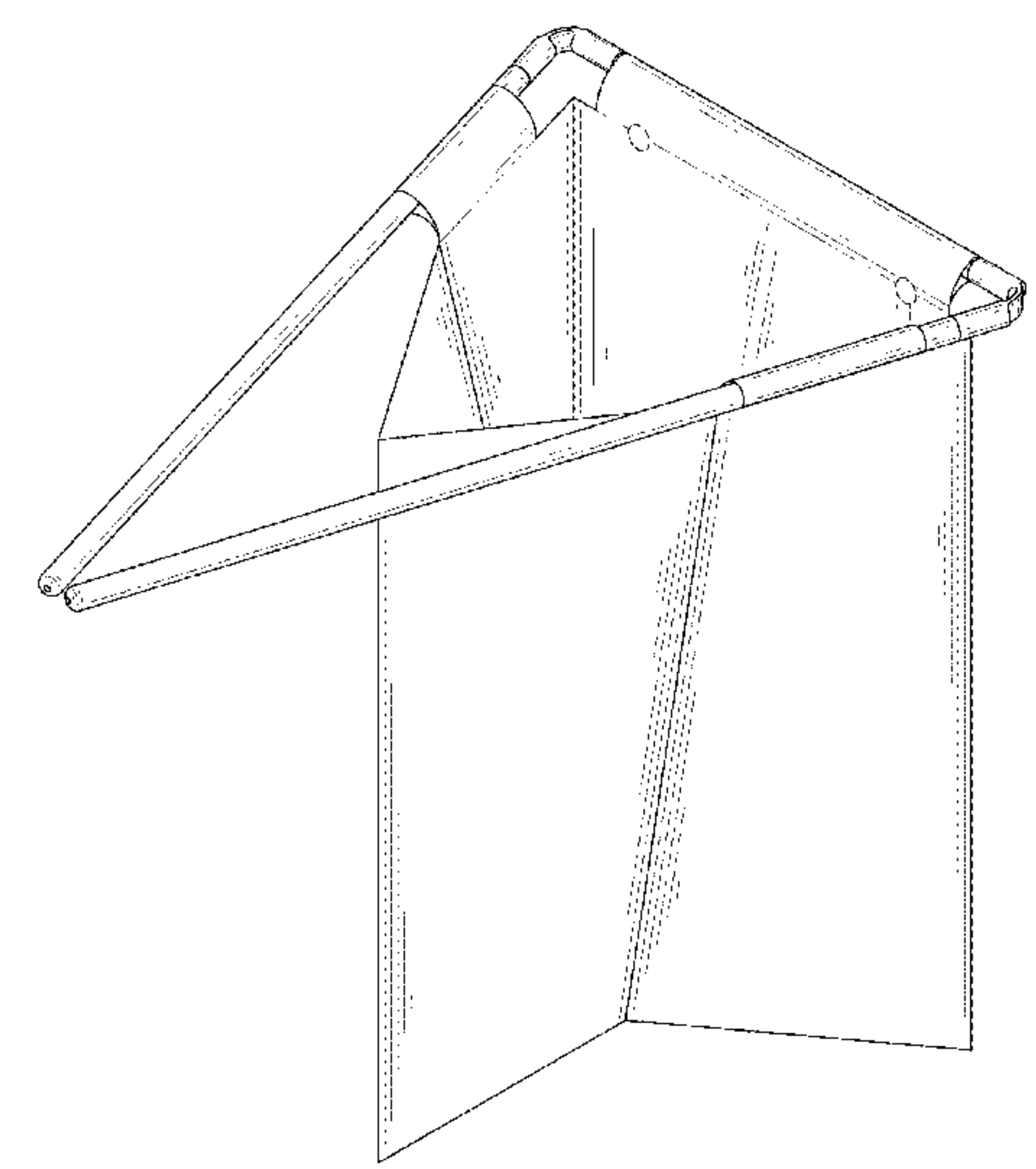
(57) **CLAIM**

I claim the ornamental design for a disposable pet waste collector, as shown and described.

DESCRIPTION

FIG. 1 is a first perspective view of a disposable pet waste collector showing my new design;
 FIG. 2 is a second perspective view thereof;
 FIG. 3 is a front elevational view thereof;
 FIG. 4 is a rear elevational view thereof;
 FIG. 5 is a left elevational view thereof;
 FIG. 6 is a right elevational view thereof;
 FIG. 7 is a top plan view thereof;
 FIG. 8 is a bottom plan view thereof;
 FIG. 9 shows the disposable pet waste collector in an in-use configuration; and,
 FIG. 10 is an exploded perspective view of the disposable pet waste collector in which the disposable pet waste collector is in a disassembled condition.
 The broken lines in the drawings illustrate portions of the disposable pet waste collector which form no part of the claimed design.

1 Claim, 10 Drawing Sheets



(56)

References Cited

U.S. PATENT DOCUMENTS

6,604,716	B1 *	8/2003	Hoey	B65B 67/1238 248/100
6,648,386	B2 *	11/2003	Rheinhardt	B65B 67/1238 248/99
6,994,301	B1 *	2/2006	Fox	B65B 67/1205 211/85.15
7,066,432	B2 *	6/2006	Wood	B65B 67/1205 248/150
7,374,135	B2 *	5/2008	Romero	B65B 67/12 248/95
D761,498	S *	7/2016	Minter	D30/162
D762,929	S *	8/2016	Minter	D30/162
10,030,345	B1 *	7/2018	Han	E01H 1/1206
2002/0021012	A1 *	2/2002	Roye	B65B 67/1205 294/214
2002/0038956	A1 *	4/2002	Ditzik	B65F 1/1415 294/1.4
2006/0152023	A1 *	7/2006	Owens, III	B65B 67/1238 294/214
2006/0181091	A1 *	8/2006	Zelon	A01K 23/005 294/1.5
2011/0037280	A1 *	2/2011	Romero	E01H 1/1206 294/1.4
2014/0252002	A1 *	9/2014	Donoghue	B65F 1/1415 220/495.09

* cited by examiner

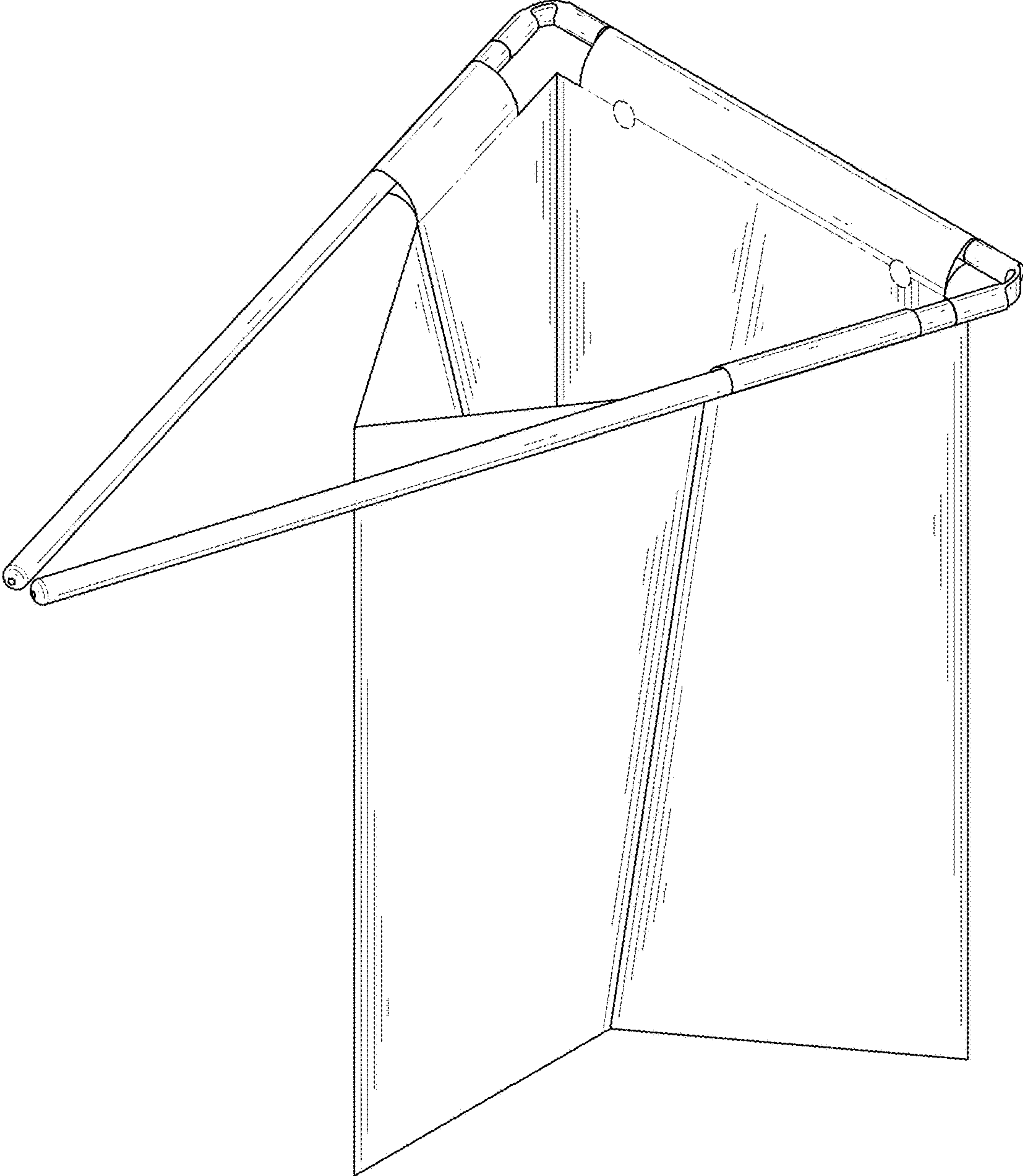


FIG. 1

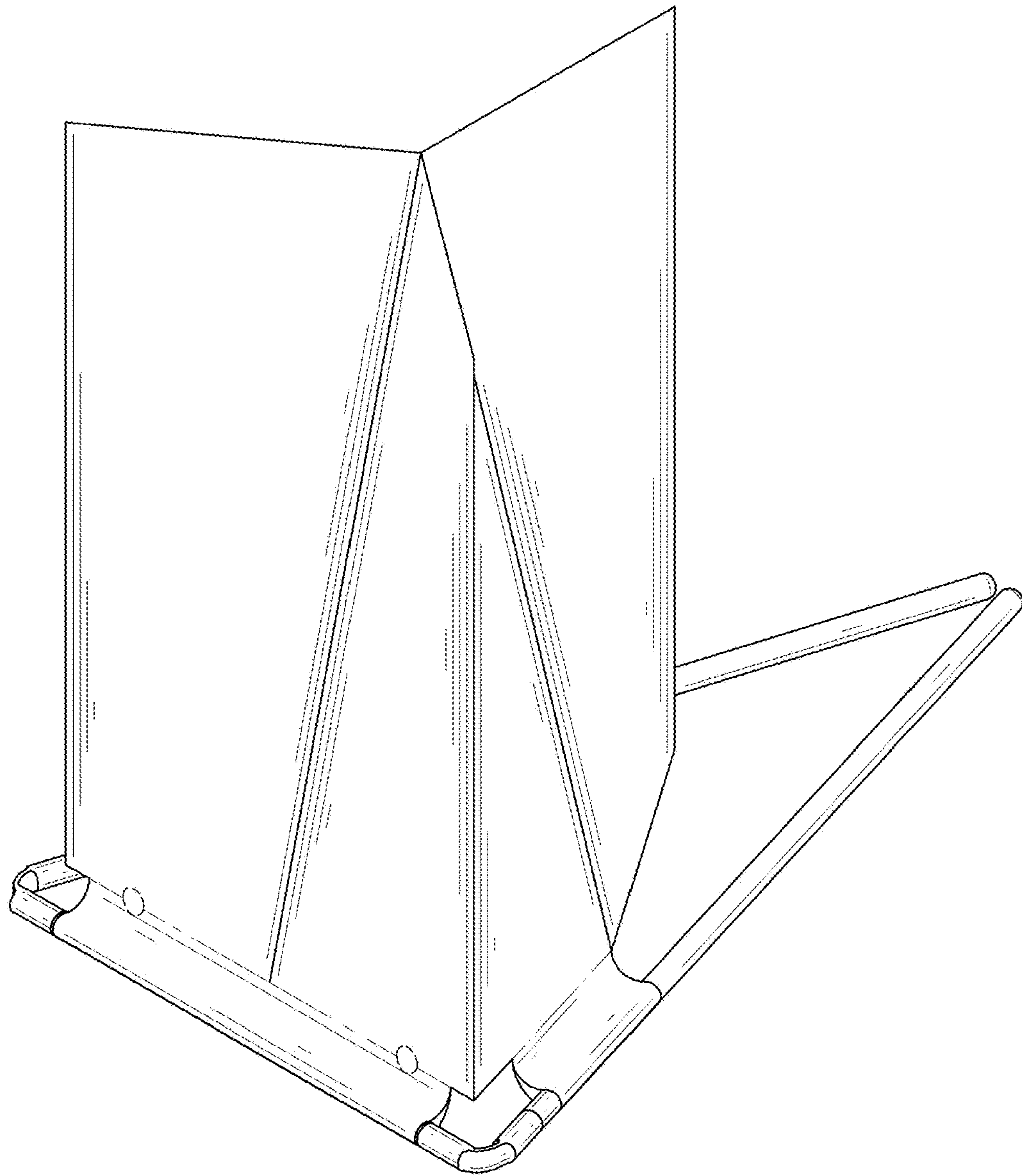


FIG. 2

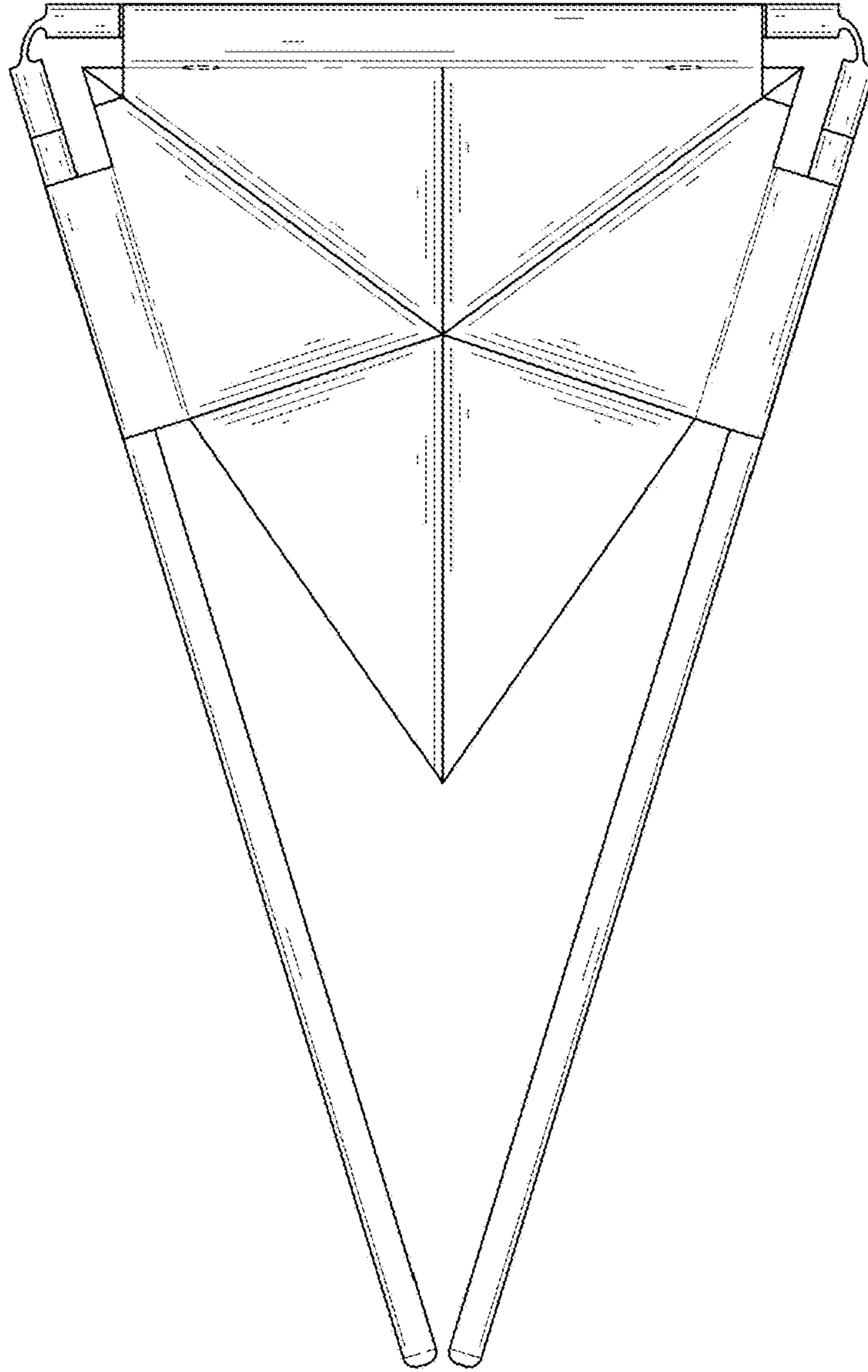


FIG. 3

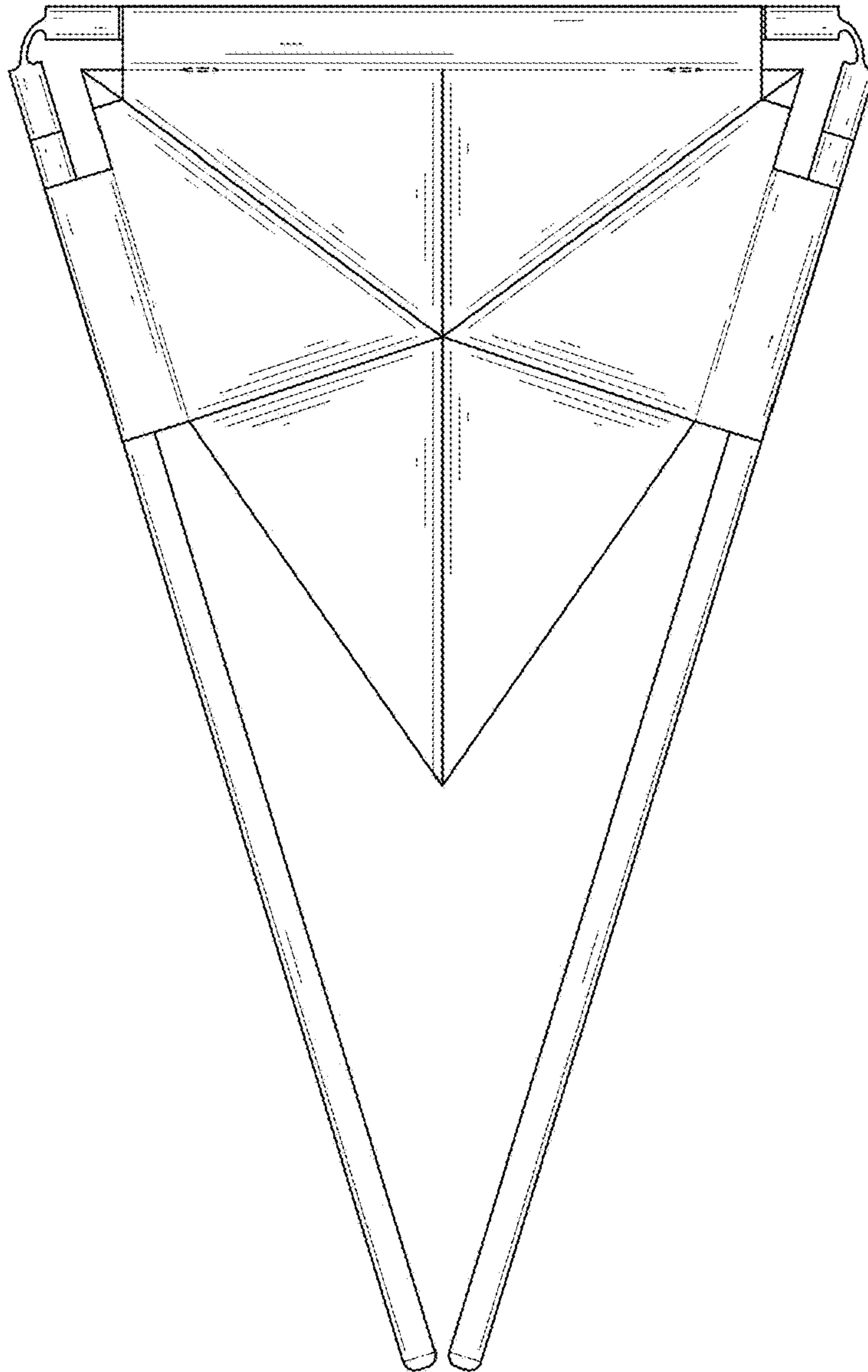


FIG. 4

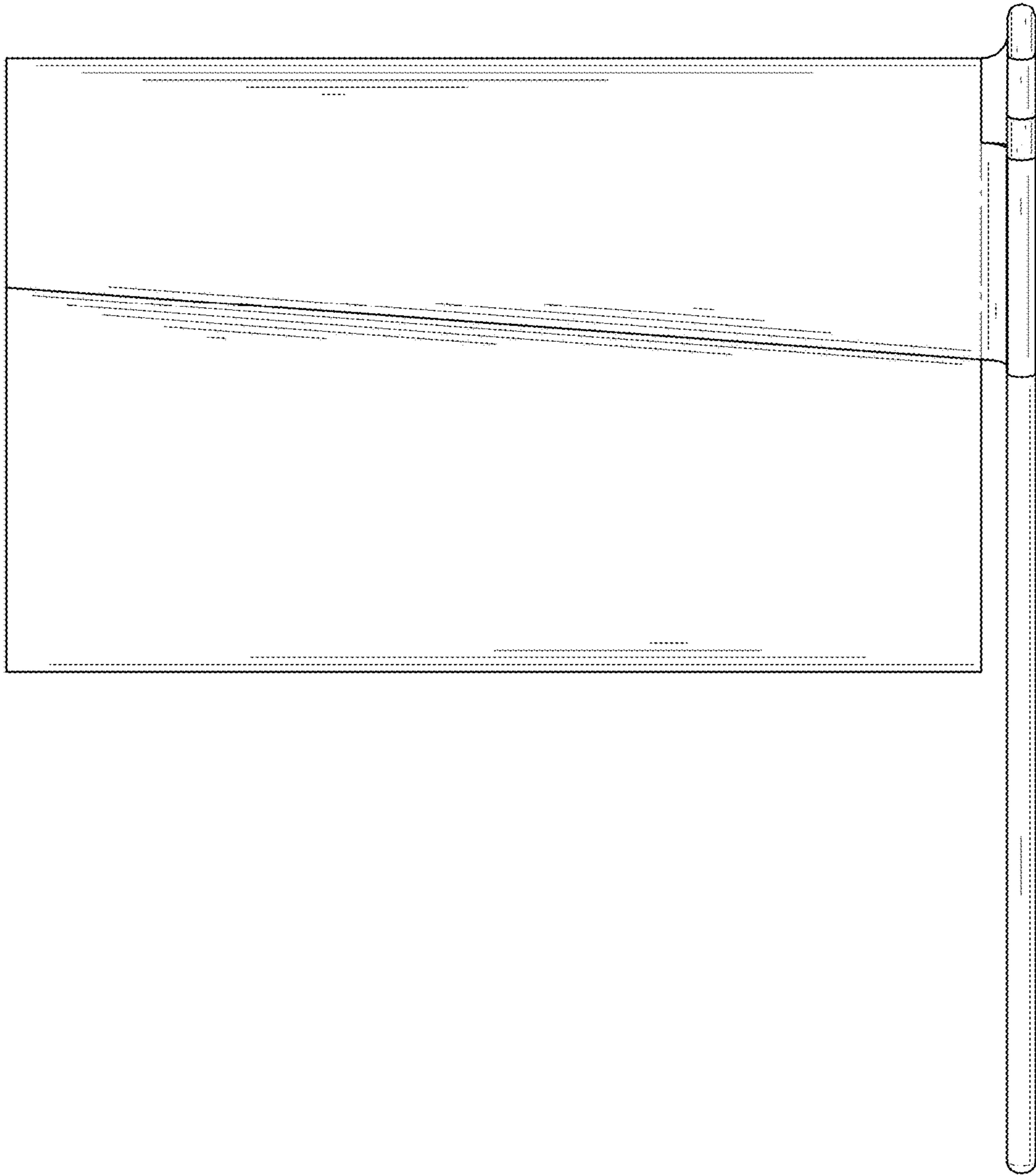


FIG. 5

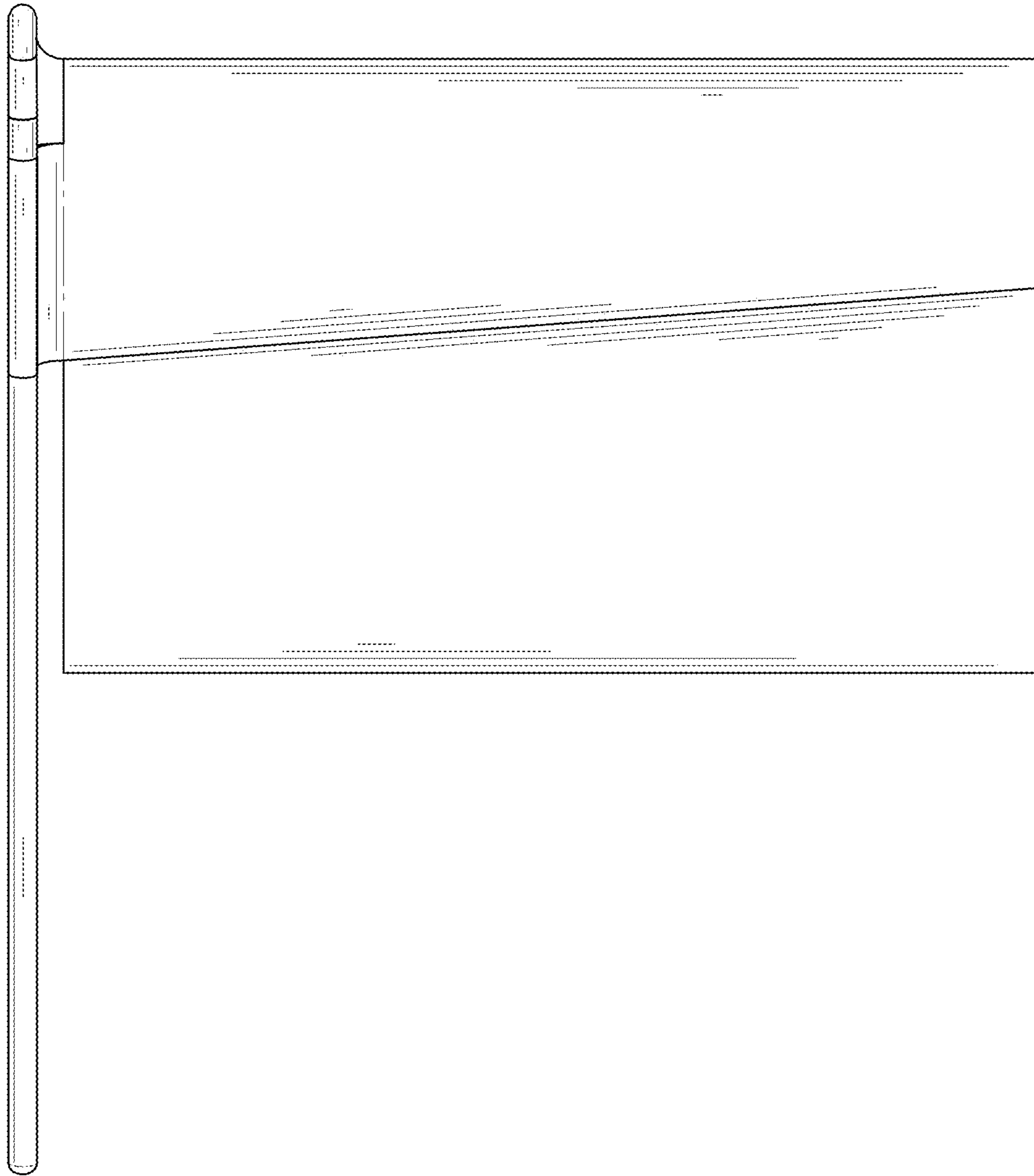


FIG. 6

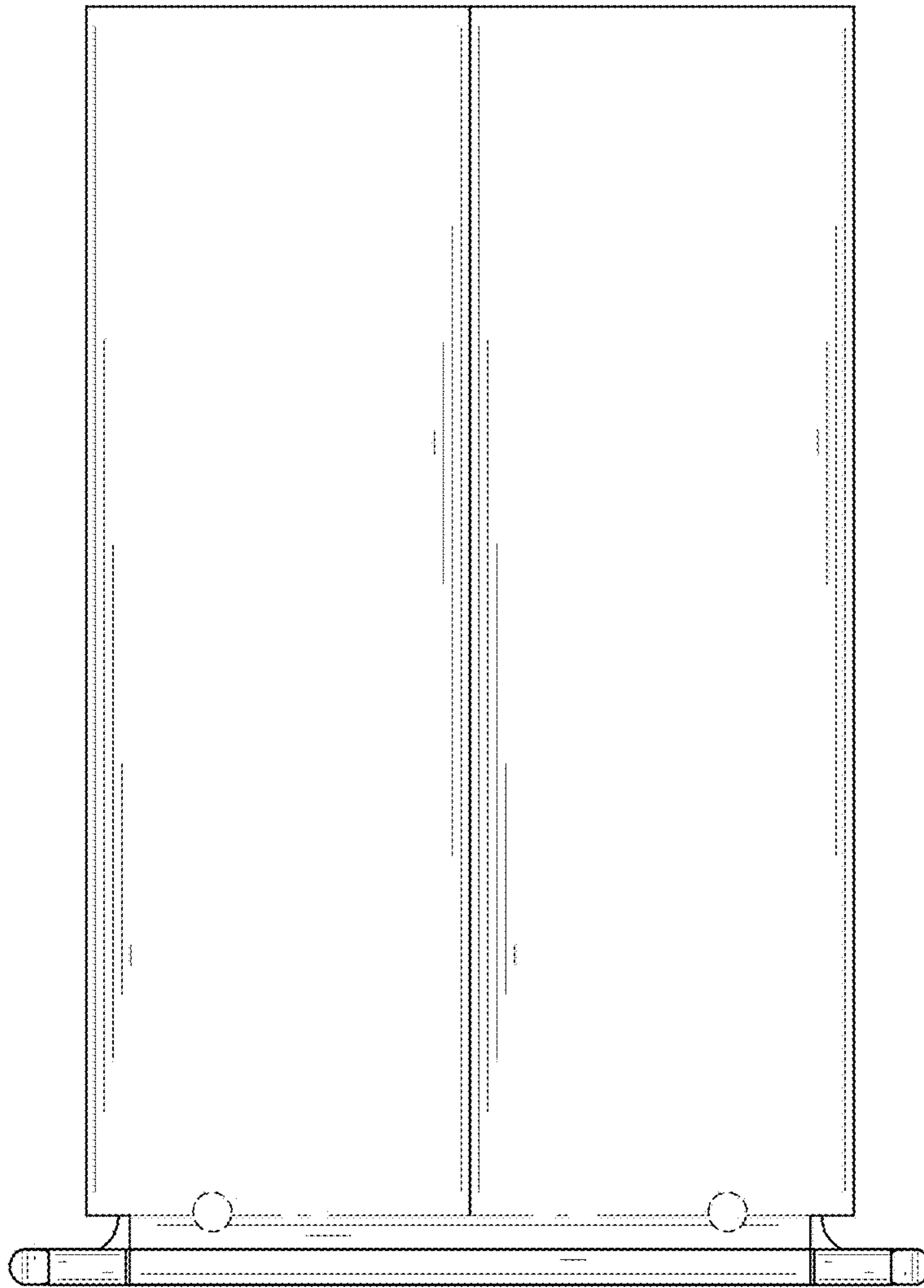


FIG. 7

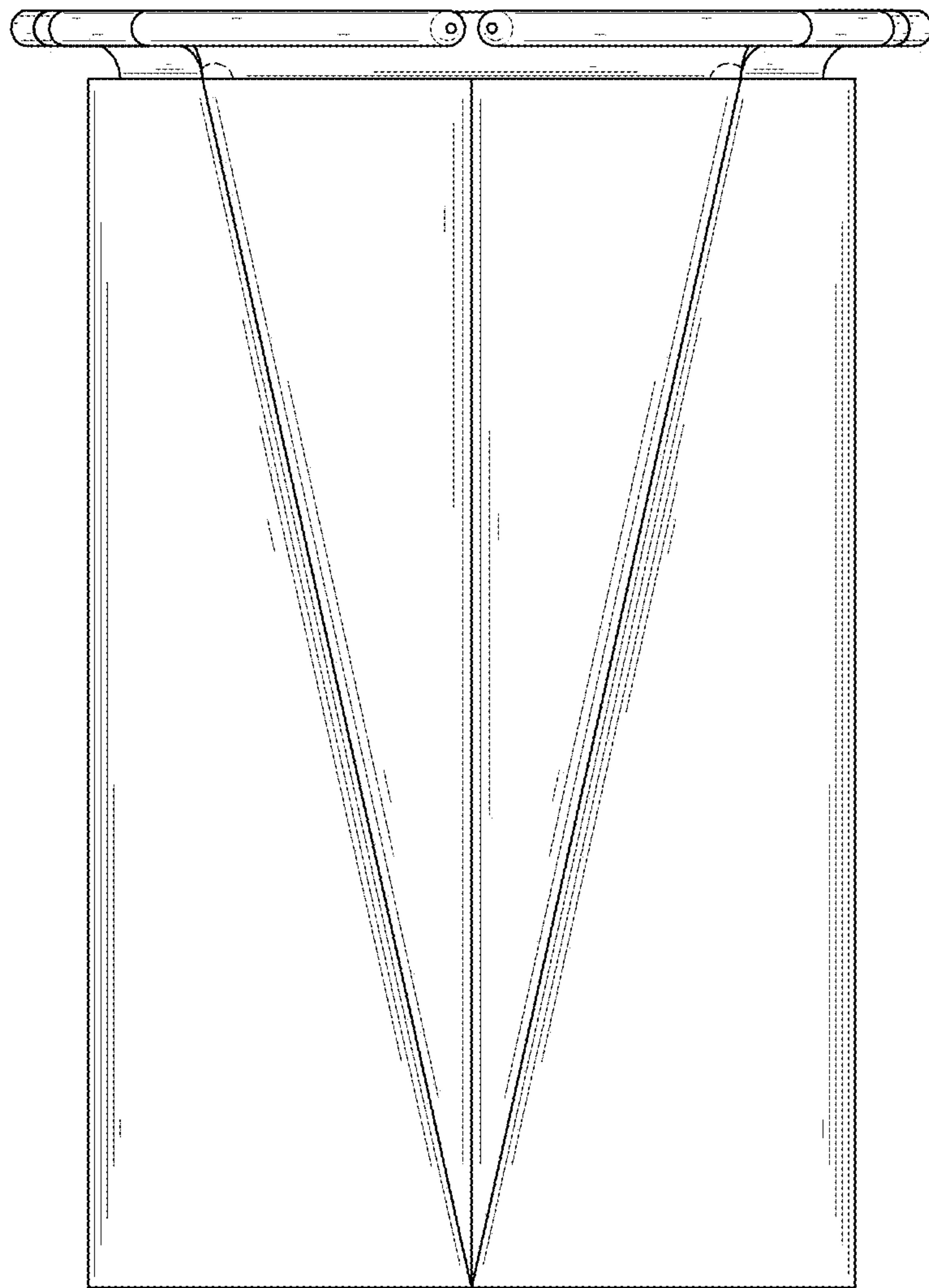


FIG. 8

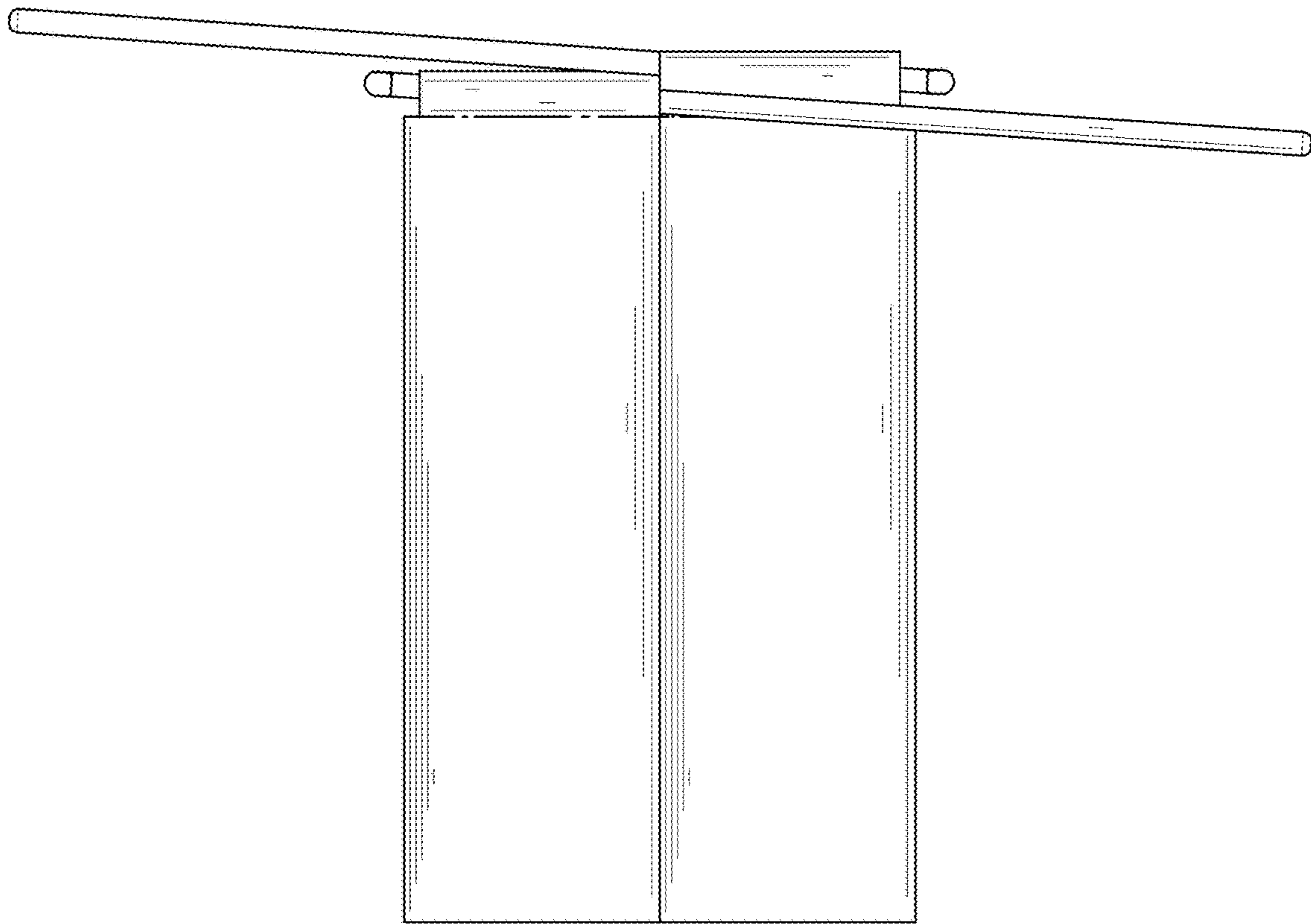


FIG. 9

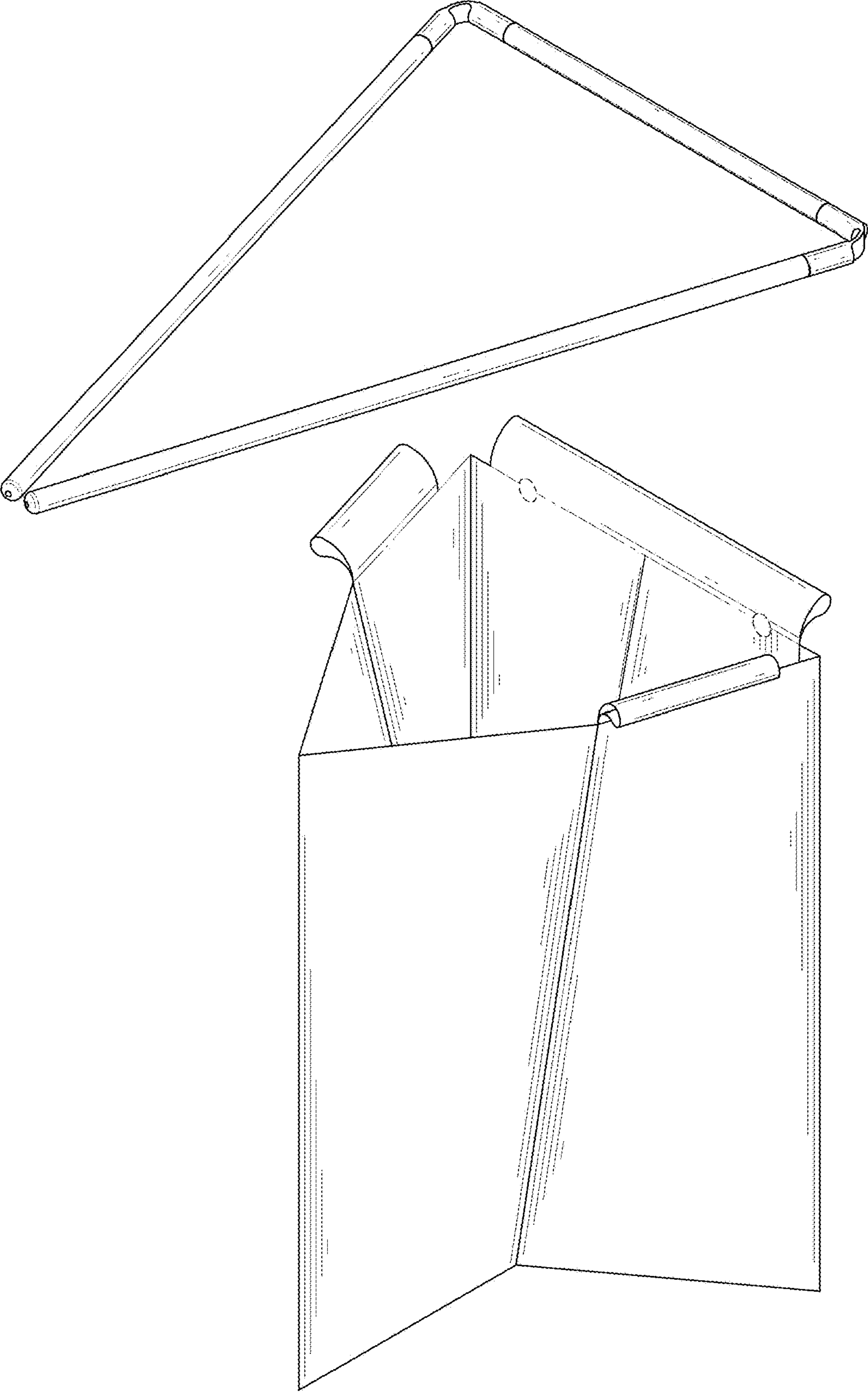


FIG. 10