



US00D839494S

(12) **United States Design Patent**  
**Wrathall**

(10) **Patent No.:** **US D839,494 S**  
(45) **Date of Patent:** **\*\* Jan. 29, 2019**

- (54) **BEEHIVE BASE**
- (71) Applicant: **ECROTEK LIMITED**, Auckland (NZ)
- (72) Inventor: **David John Wrathall**, Auckland (NZ)
- (73) Assignee: **ECROTEK LIMITED**, Auckland (NZ)
- (\*\*) Term: **15 Years**
- (21) Appl. No.: **29/598,495**
- (22) Filed: **Mar. 27, 2017**

2011/0306272 A1\* 12/2011 Ferguson ..... A01K 47/06  
449/25  
2016/0227745 A1\* 8/2016 Reed ..... A01K 47/02  
2017/0135323 A1\* 5/2017 Gerogiannis ..... A01K 47/06

**FOREIGN PATENT DOCUMENTS**

CA 138257 \* 7/2011  
EM 003796291-0001 \* 4/2017  
GB 6008870 \* 3/2017

**OTHER PUBLICATIONS**

Hive Doctor Smart Bottom Board With Entrance Reducer, published Feb. 2017 [online], [retrieved Mar. 12, 2018], Available from Internet, URL: <<https://www.trademe.co.nz/business-farming-industry/farming-forestry/beekeeping/auction-1565963825.htm>>.\*

(Continued)

*Primary Examiner* — Barbara Fox

*Assistant Examiner* — Mary C Ramirez

(74) *Attorney, Agent, or Firm* — Greer, Burns & Crain, Ltd.

(30) **Foreign Application Priority Data**

Sep. 26, 2016 (NZ) ..... 422103

(51) **LOC (11) Cl.** ..... **30-02**

(52) **U.S. Cl.**  
USPC ..... **D30/120; D30/108**

(58) **Field of Classification Search**  
USPC ..... D30/119, 108, 114, 116, 120, 136, 137,  
D30/138, 144, 145, 151, 152, 199;  
D2/627; D3/215, 327; D29/101.1, 101.3,  
D29/101.5; D24/190  
CPC ..... A01K 25/00; A01K 13/006; A01K 15/04;  
A01K 47/00; A01K 47/02; A01K 47/04;  
A01K 47/06

See application file for complete search history.

(57) **CLAIM**

The ornamental design for a beehive base, as shown and described.

**DESCRIPTION**

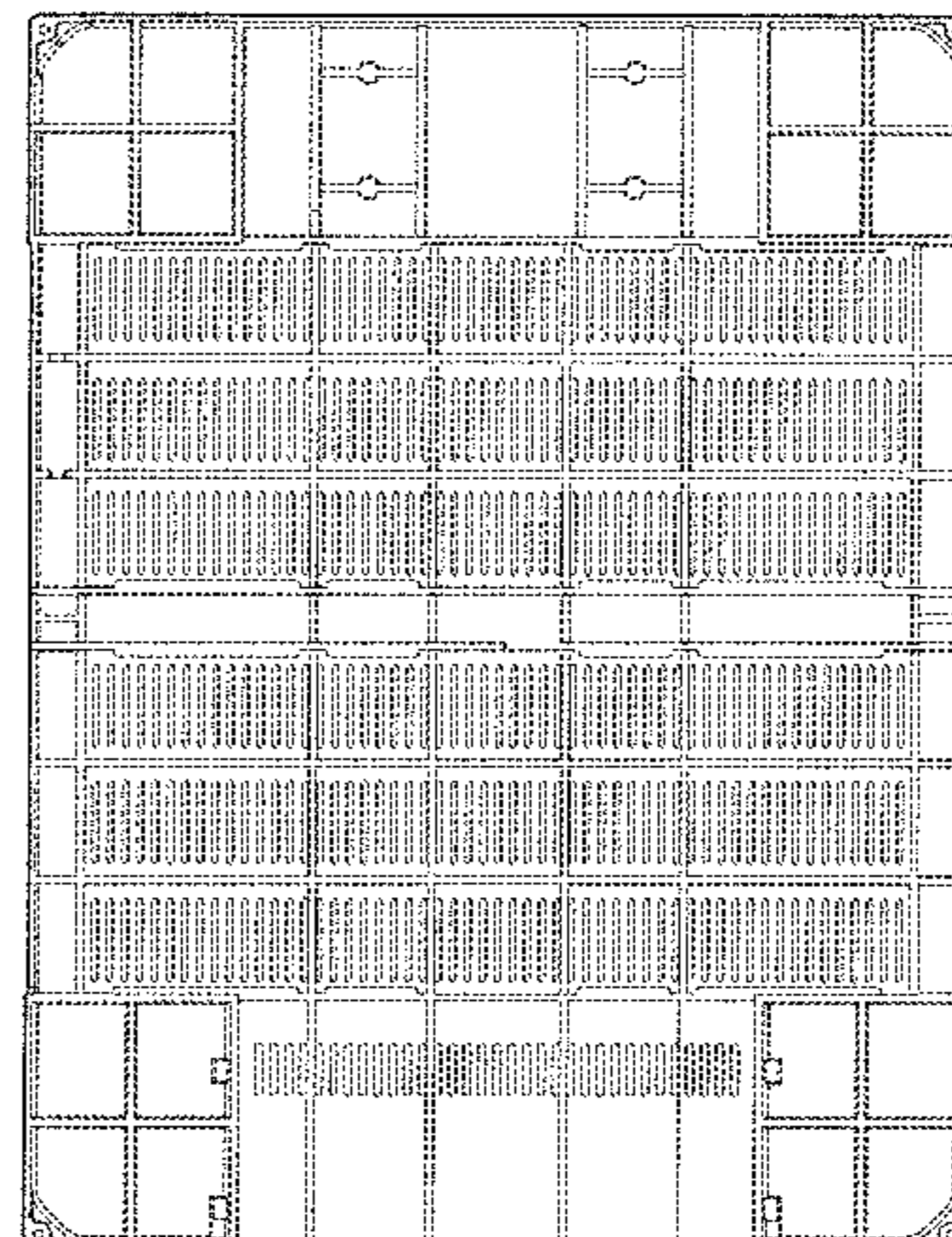
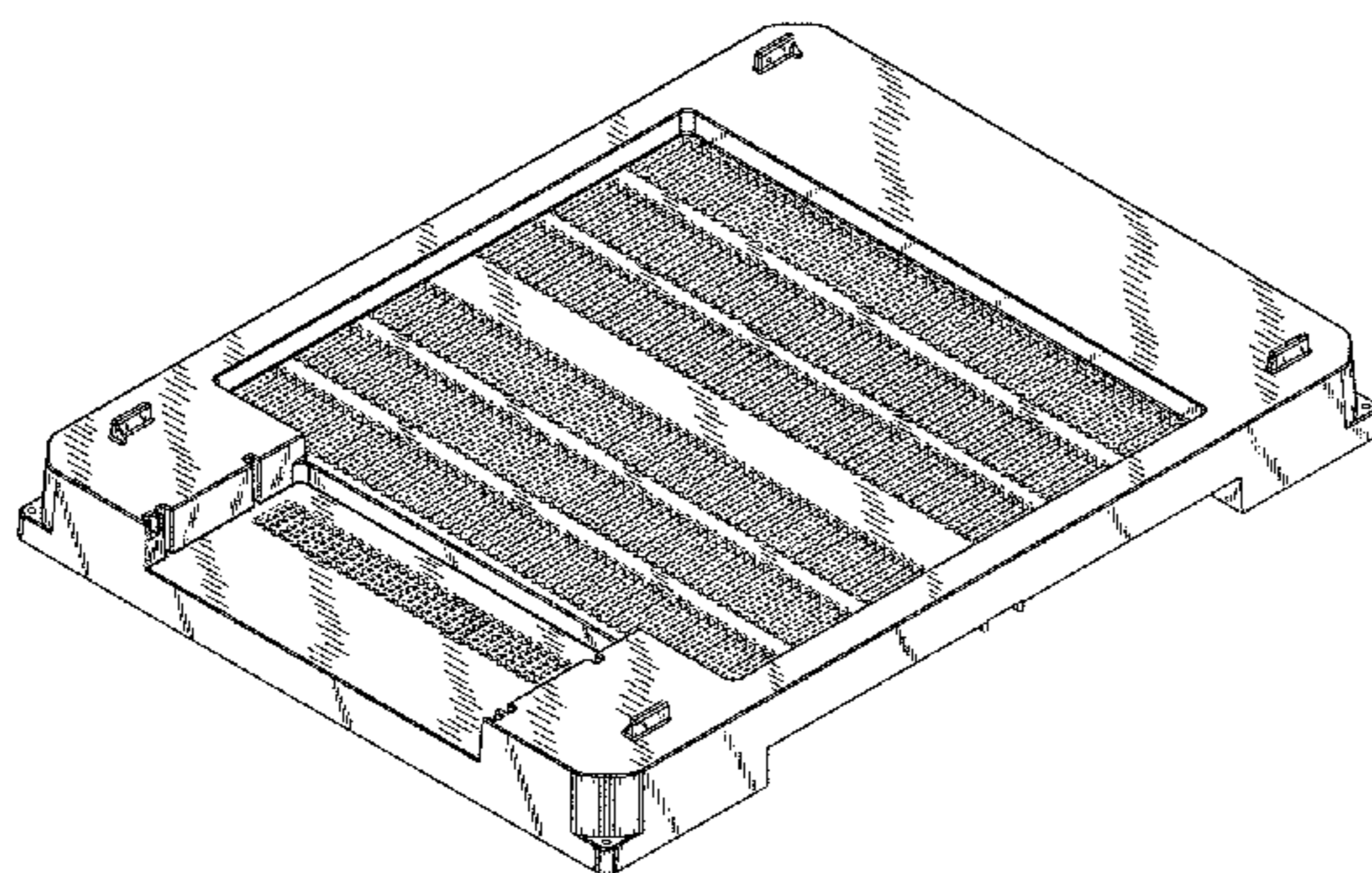
FIG. 1 is a top perspective view of the present beehive base showing the new design;  
FIG. 2 is a front view thereof;  
FIG. 3 is a rear view thereof;  
FIG. 4 is a top view thereof;  
FIG. 5 is a bottom view thereof;  
FIG. 6 is a left side view thereof; and,  
FIG. 7 is a right side view thereof.  
The broken lines shown in the drawings depict portions of the beehive base that form no part of the claim design.

**1 Claim, 5 Drawing Sheets**

(56) **References Cited**

**U.S. PATENT DOCUMENTS**

1,247,607 A \* 11/1917 Akashi ..... A01K 47/06  
449/21  
D433,165 S \* 10/2000 Moreau ..... D25/156  
D540,950 S \* 4/2007 Johnson ..... D24/183  
D589,630 S \* 3/2009 Henson ..... D25/65  
D632,101 S \* 2/2011 Sandel ..... D6/349  
D659,293 S \* 5/2012 Ferguson ..... D30/108  
9,345,228 B2 \* 5/2016 Lowery ..... A01K 1/0353  
2008/0119110 A1 \* 5/2008 Katsampis ..... A01K 53/00  
449/15



(56)

**References Cited**

OTHER PUBLICATIONS

Tevs Bees Hive Doctor Smart Floor, published May 2, 2017 [online], [retrieved Mar. 12, 2018], Available from Internet, URL: <<https://www.youtube.com/watch?v=4pGr6urZ2m4&feature=youtu.be>> at approximately 0:51.\*

Hive Doctor Smart Base, publication date unavailable [online], [retrieved Mar. 12, 2018], Available from Internet, URL: <<http://www.adelaidebeekeeping.com.au/product/hive-doctor-smart-base>>.\*

\* cited by examiner

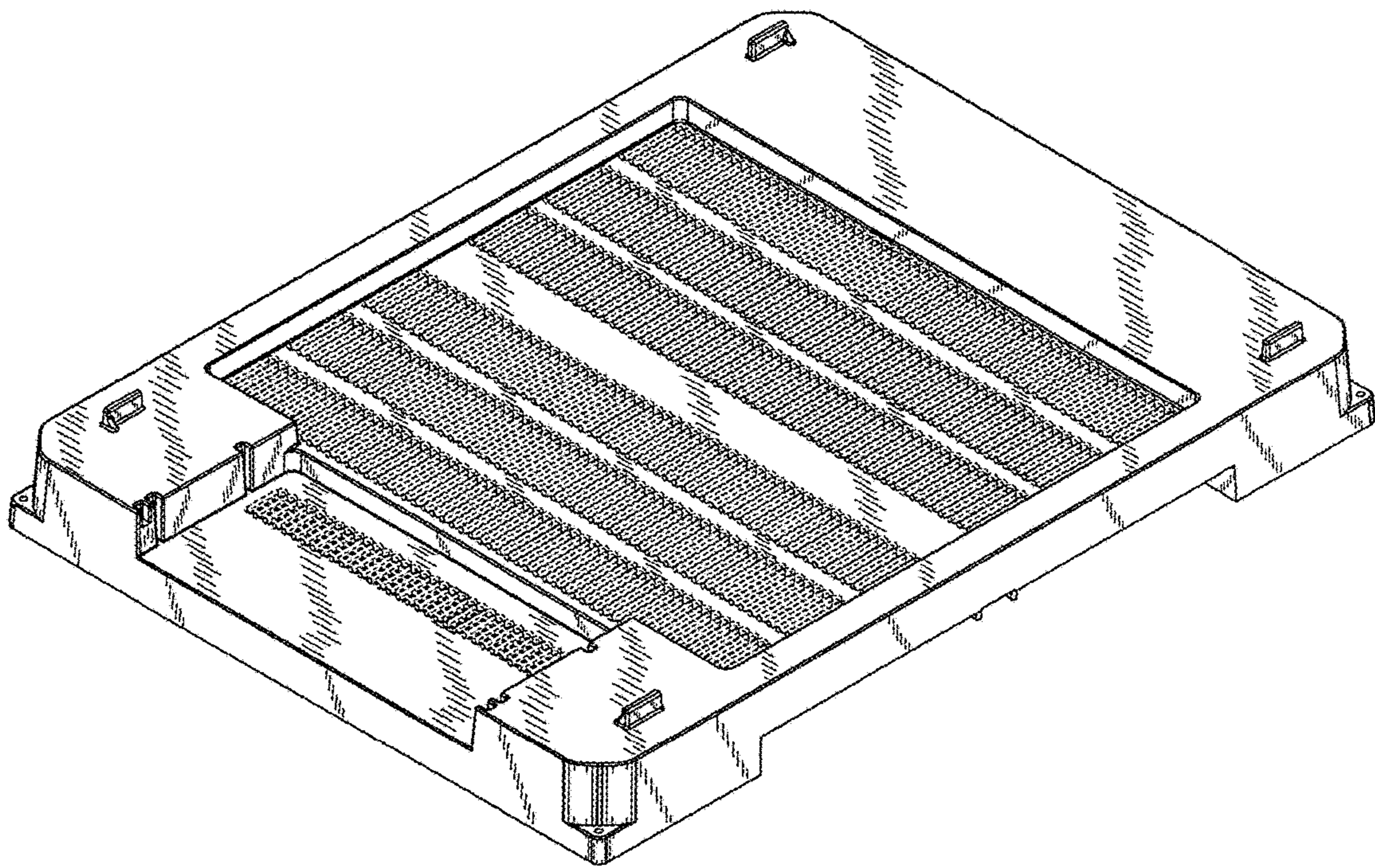


FIG. 1

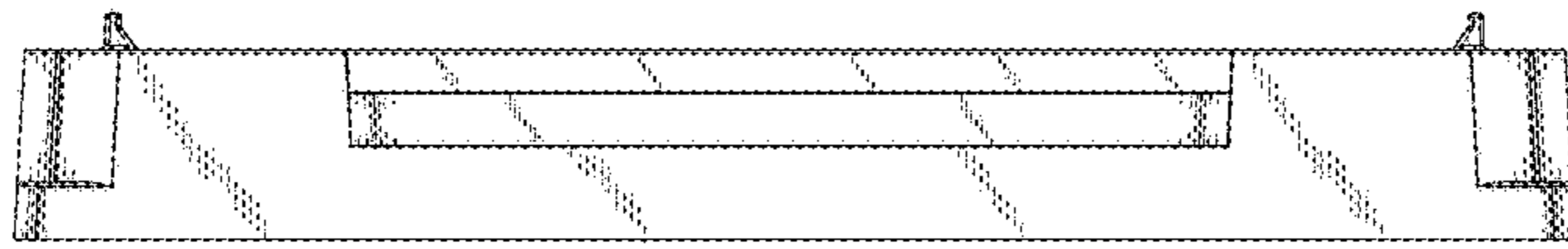


FIG. 2

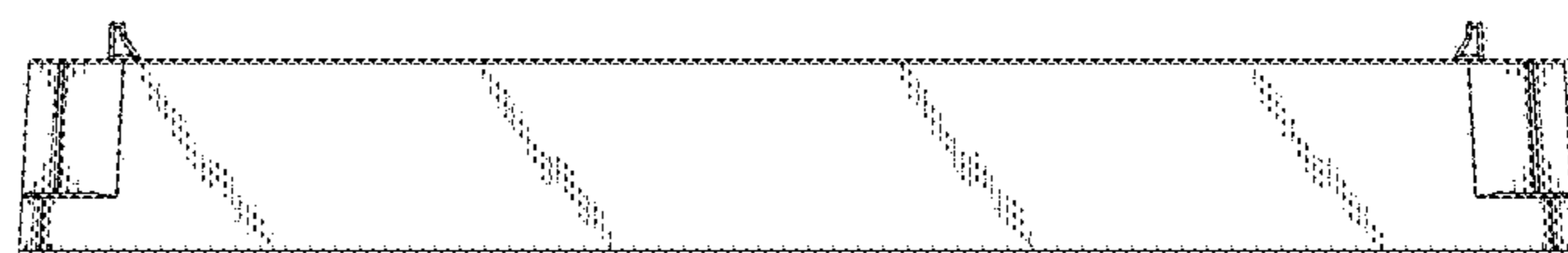


FIG. 3

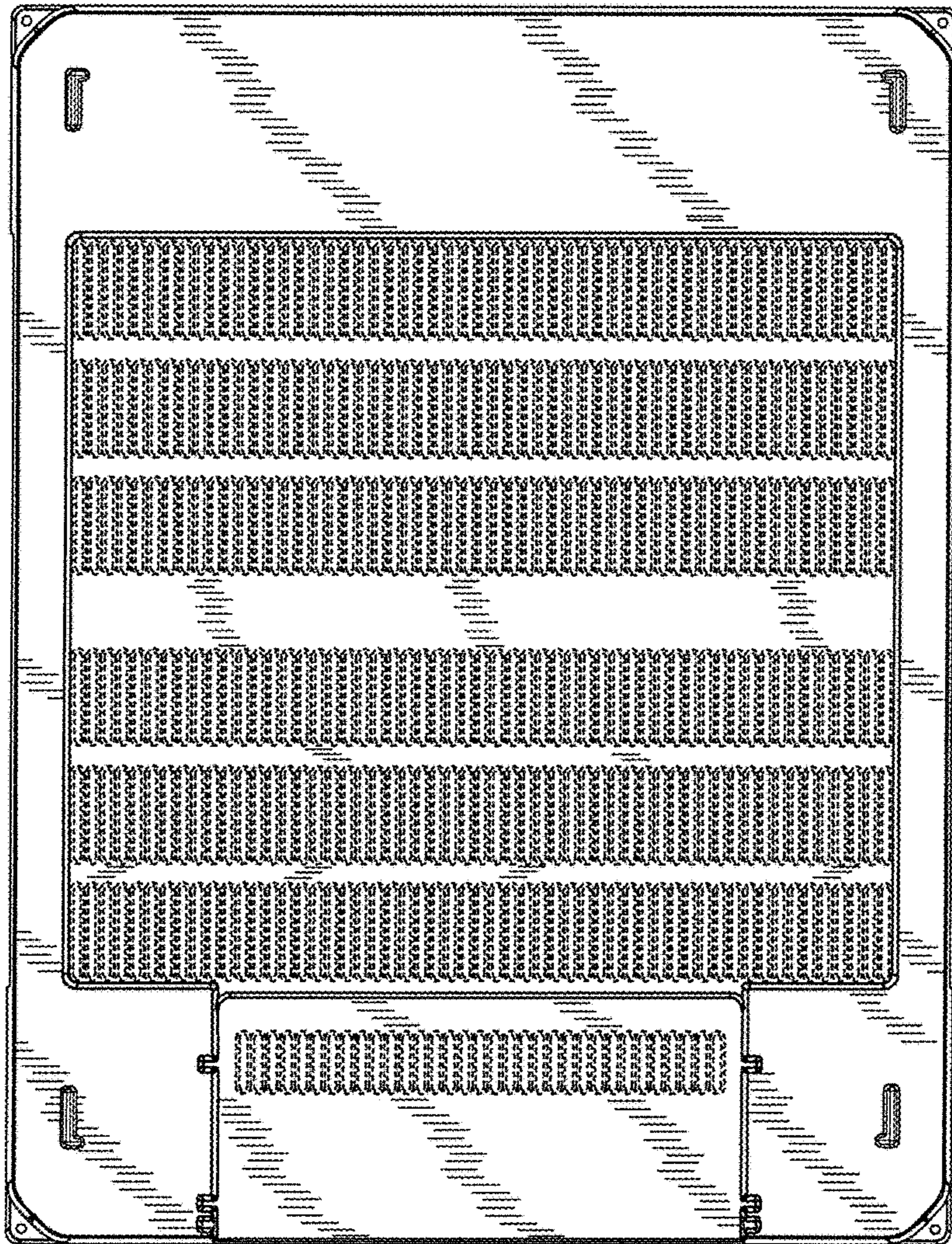


FIG. 4

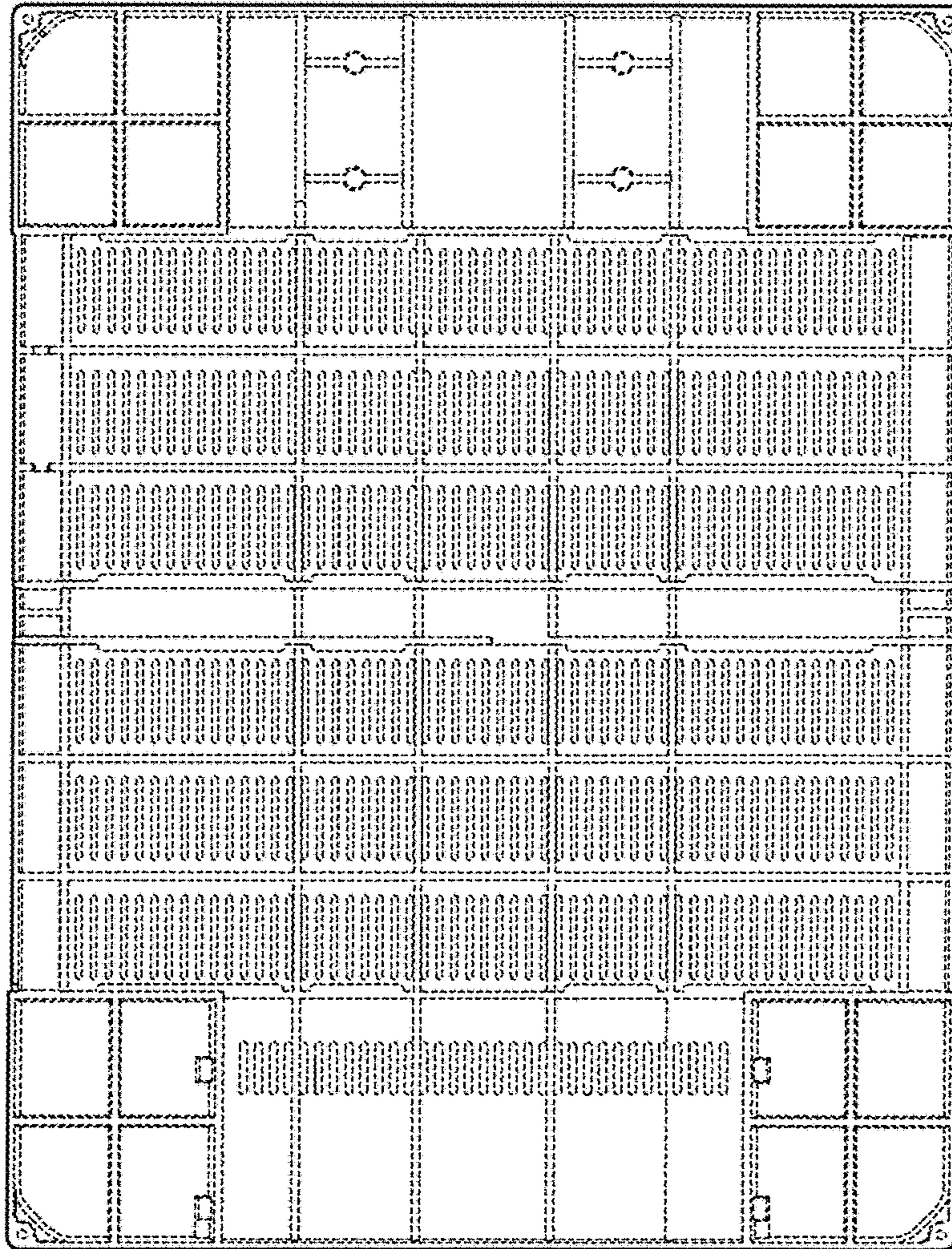


FIG. 5

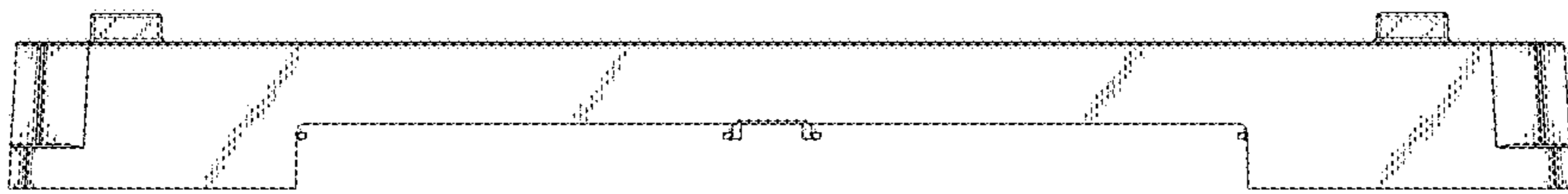


FIG. 6

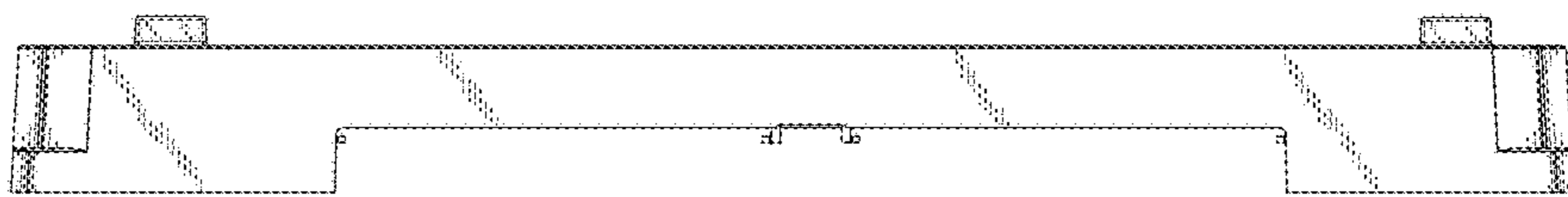


FIG. 7