



US00D839491S

(12) **United States Design Patent** (10) **Patent No.:** **US D839,491 S**
Veness (45) **Date of Patent:** **** Jan. 29, 2019**

(54) **LATCH**
(71) Applicant: **Doskocil Manufacturing Company, Inc., Arlington, TX (US)**
(72) Inventor: **David Veness, Fort Worth, TX (US)**
(73) Assignee: **DOSKOCIL MANUFACTURING COMPANY, INC, Arlington, TX (US)**
(**) Term: **15 Years**
(21) Appl. No.: **29/556,827**
(22) Filed: **Mar. 3, 2016**
(51) **LOC (11) Cl.** **30-02**
(52) **U.S. Cl.**
USPC **D30/119**
(58) **Field of Classification Search**
USPC D30/108, 109, 114, 116, 118, 119, 120;
119/494, 496, 497, 500; 292/40, 188;
D25/48.5; D8/331, 339, 341, 342, 343
CPC A01K 1/0245; E05C 1/04; E05C 9/04;
Y10T 29/49826
See application file for complete search history.

2010/0192870 A1* 8/2010 Wood A01K 1/0245
119/496
2011/0041774 A1* 2/2011 Northrop A01K 1/0245
119/497
2015/0144070 A1* 5/2015 Qiu E05B 63/14
119/496

OTHER PUBLICATIONS

“Petmate Two Door Top Load Kennel.” Found online Feb. 12, 2018 at www.amazon.com. Page dated May 15, 2012. Retrieved from URL: https://www.amazon.com/Petmate-24-Inch-Kennel-Metallic-Coffee/dp/B0062JFGM0 (Year: 2012).*

(Continued)

Primary Examiner — Garth Rademaker
Assistant Examiner — Katelin G Kloberg
(74) *Attorney, Agent, or Firm* — Global IP Counselors, LLP

(57) **CLAIM**

The ornamental design for a latch, as shown and described.

DESCRIPTION

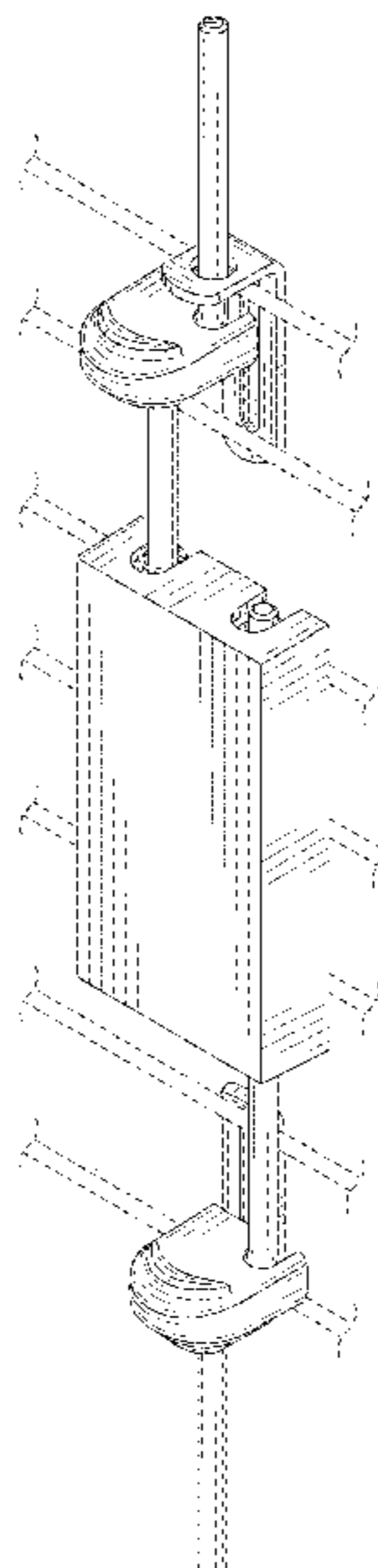
FIG. 1 is a top perspective view of a latch showing my new design;
FIG. 2 is a front view thereof;
FIG. 3 is a back view thereof;
FIG. 4 is a side view thereof;
FIG. 5 is an opposing side view of the latch, shown rotated 180°;
FIG. 6 is a top view of the latch; and,
FIG. 7 is a bottom view, shown rotated 180°.
The broken lines depicting a series of bars representing environmental subject matter that forms no part of the claimed design. All other broken lines depict portions of the latch that form no the claimed design.

(56) **References Cited**

U.S. PATENT DOCUMENTS

D312,333 S * 11/1990 Van Skiver D30/109
5,199,753 A * 4/1993 Presley, Jr. E05B 53/00
292/188
D367,734 S * 3/1996 Sharp D30/119
D374,510 S * 10/1996 Barreto, III D30/108
D376,225 S * 12/1996 Hauck D30/109
6,647,925 B1 * 11/2003 Waiters A01K 1/0245
119/453
6,783,162 B1 * 8/2004 Harper A01K 1/0245
292/336.3
8,291,866 B2 * 10/2012 Cauchy A01K 1/0236
119/482

1 Claim, 4 Drawing Sheets



(56)

References Cited

OTHER PUBLICATIONS

“AmazonBasics Two-Door Top-Load Pet Kennel.” Found online Feb. 12, 2018 at www.amazon.com. Page dated Jul. 28, 2015. Retrieved from URL: https://www.amazon.com/dp/B00OP6SMCI/ref=sspa_dk_detail_1?psc=1&pd_rd_i=B00OP6SMCI&pd_rd_wg=T4iAV&pd_rd_r=2C45VQ1Y5R2ZKYZBV93R&pd_rd_w=GCvrK (Year: 2015).*

“Suncast PCS2417 Deluxe Pet Carrier.” Found online Feb. 12, 2018 at www.amazon.com. Page dated Nov. 19, 2013. Retrieved from URL: <https://www.amazon.com/Suncast-PCS2417-Deluxe-Pet-Carrier/dp/B001NIZ7D8> (Year: 2013).*

“Marchioro Clipper Aran Pet Carrier.” Found online Jan. 12, 2018 at www.amazon.com. Page dated Jan. 23, 2014. Retrieved from URL: <https://www.amazon.com/Marchioro-Clipper-Carrier-22-25-inches-Green/dp/B004HU4U2S> (Year: 2014).*

* cited by examiner

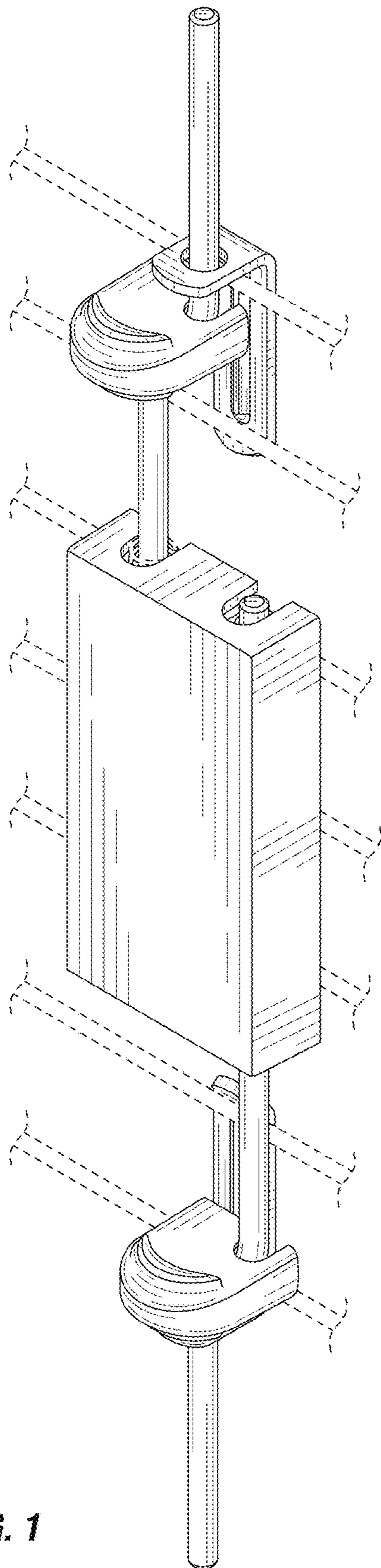


FIG. 1

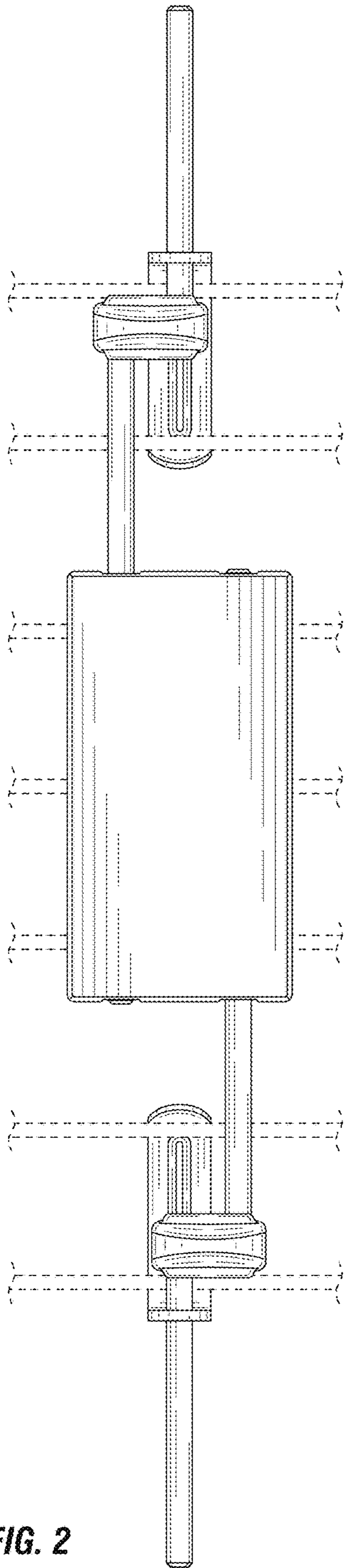


FIG. 2

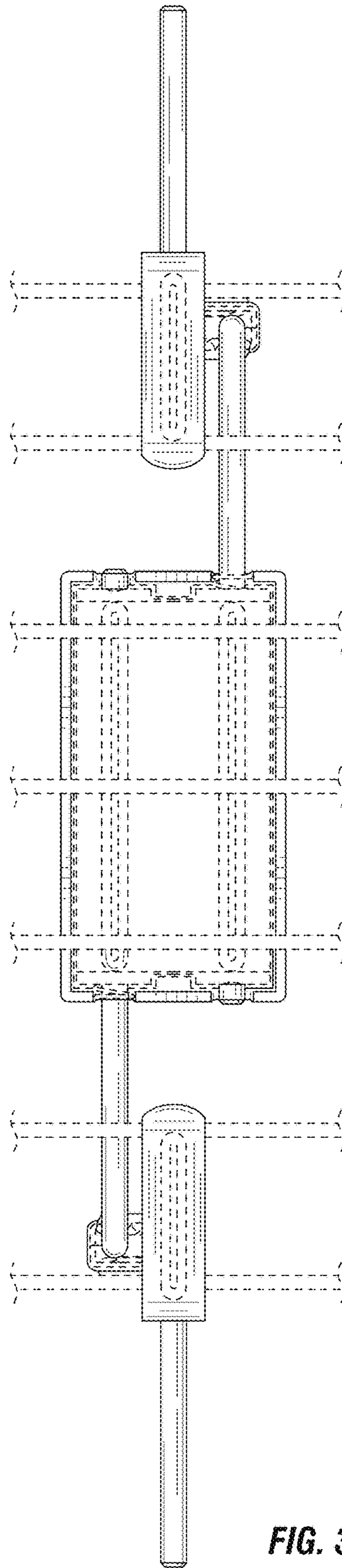


FIG. 3

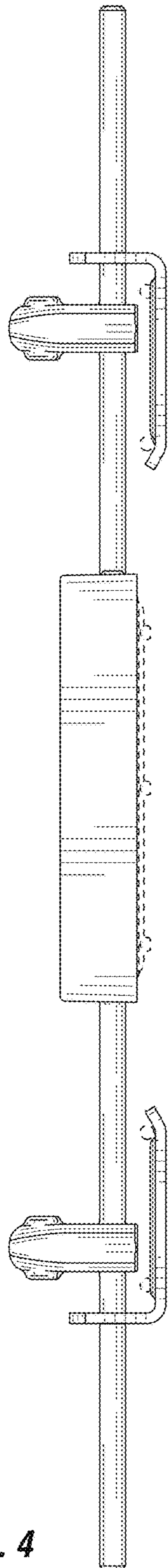


FIG. 4

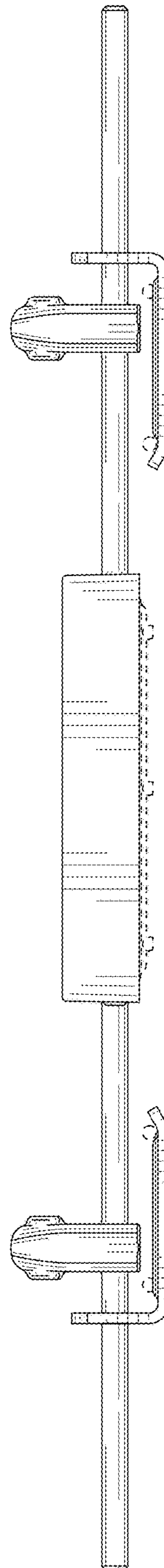


FIG. 5

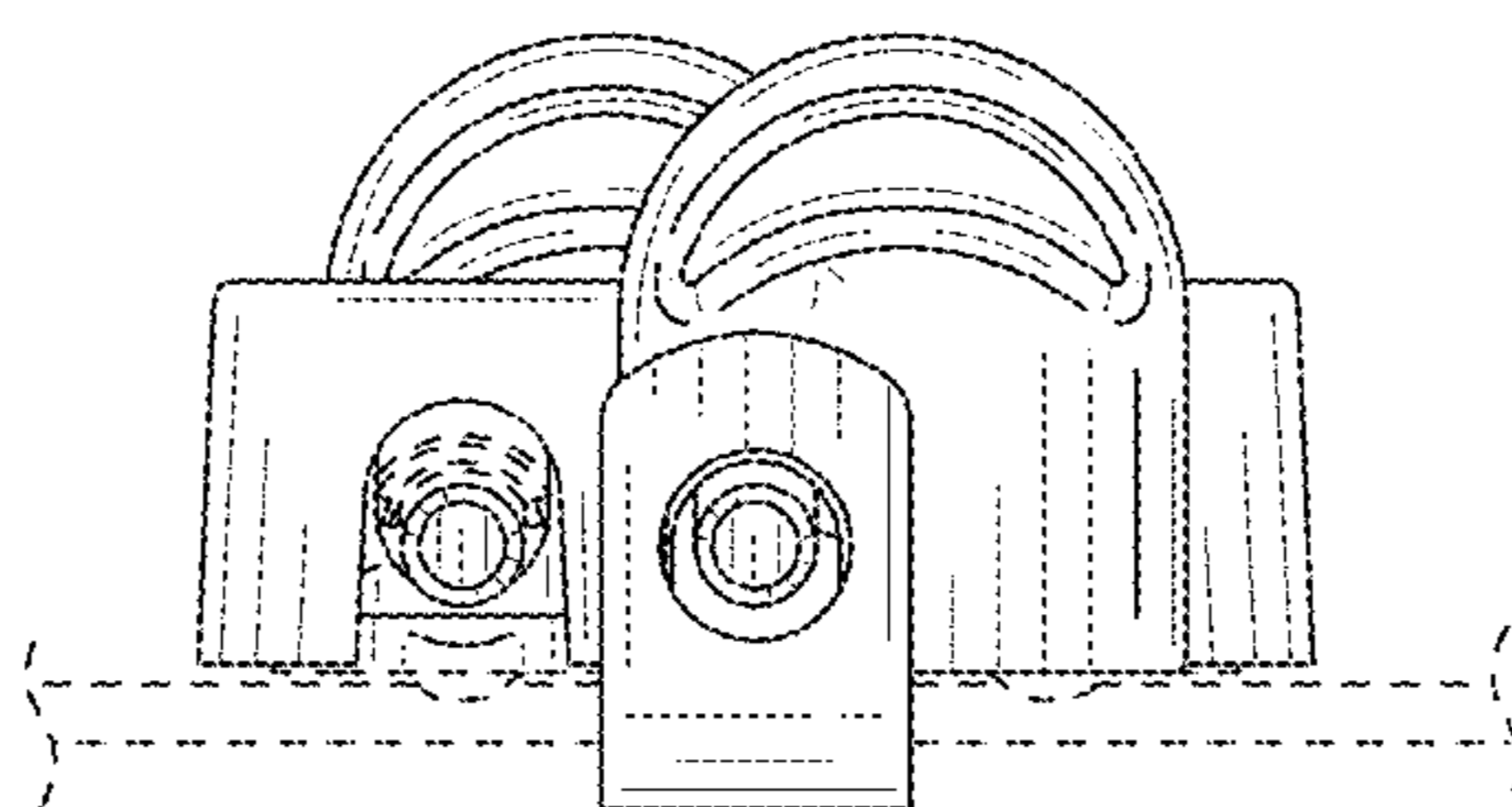


FIG. 6

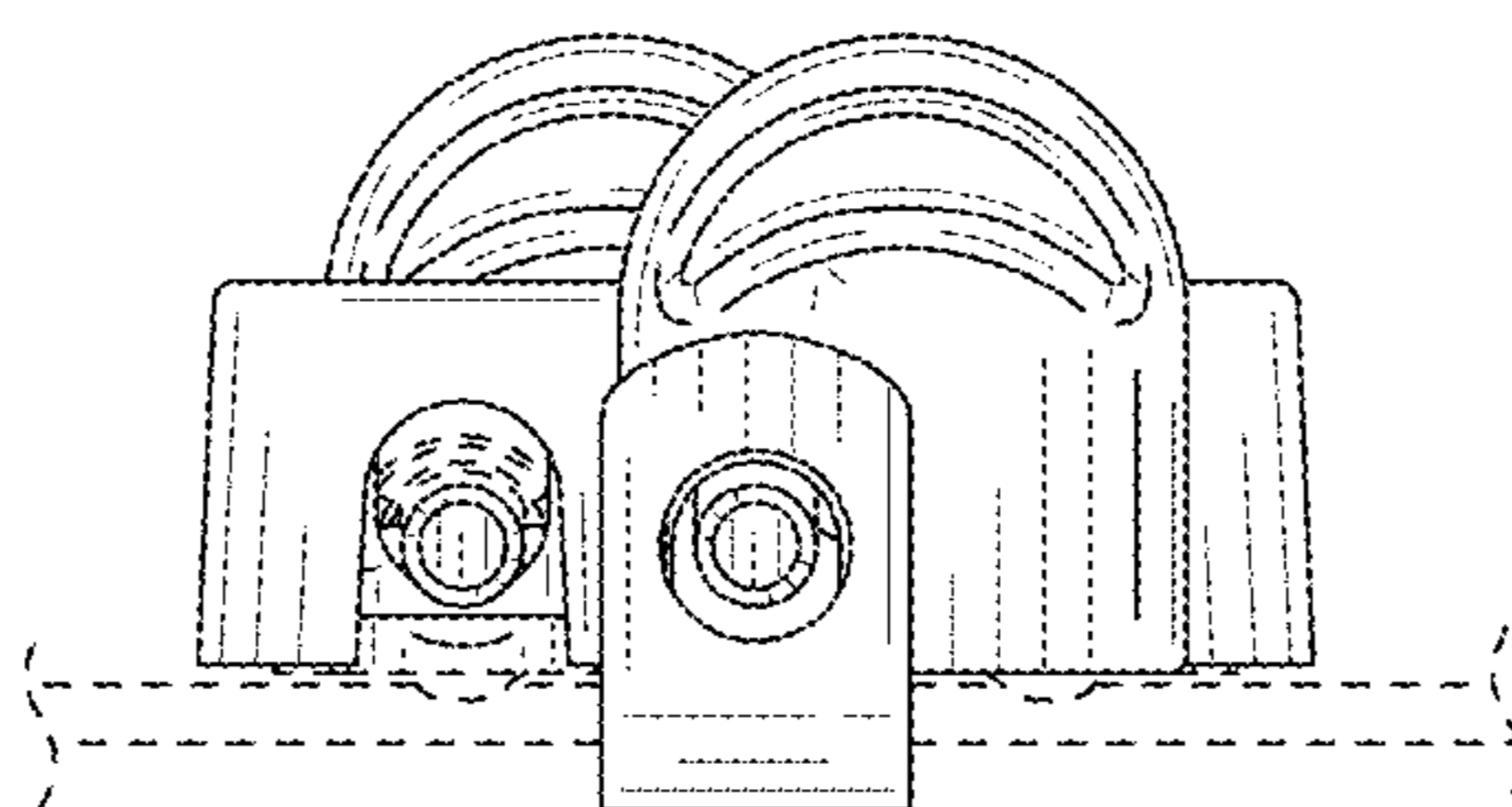


FIG. 7