

US00D839485S

(12) **United States Design Patent**  
**Turkbas**

(10) **Patent No.:** **US D839,485 S**  
(45) **Date of Patent:** **\*\* Jan. 29, 2019**

- (54) **MOUTHGUARD**
- (71) Applicant: **Shock Doctor, Inc.**, Minnetonka, MN  
(US)
- (72) Inventor: **Jay N. Turkbas**, Huntington Beach, CA  
(US)
- (73) Assignee: **Shock Doctor, Inc.**, Minnetonka, MN  
(US)
- (\*\*) Term: **15 Years**
- (21) Appl. No.: **29/610,727**
- (22) Filed: **Jul. 14, 2017**
- (51) **LOC (11) Cl.** ..... **29-02**
- (52) **U.S. Cl.**  
USPC ..... **D29/108**
- (58) **Field of Classification Search**  
USPC ..... D29/100, 105, 106, 108, 122; D24/108,  
D24/109, 110, 110.5, 156, 176, 181  
CPC ... A61F 5/566; A61F 5/58; A61C 7/10; A61C  
13/08; A61C 13/081; A61C 13/083; A61C  
13/087; A61C 19/066; A61C 5/14; A63B  
71/08; A63B 71/081; A63B 71/085; A63B  
2071/085; A63B 2071/088; A61B 13/00;  
A61B 13/24  
See application file for complete search history.

3,207,153 A 9/1965 Goldstein  
 3,223,085 A 12/1965 Gores et al.  
 3,228,107 A 1/1966 Zandberg  
 3,234,942 A 2/1966 Simor  
 (Continued)

**FOREIGN PATENT DOCUMENTS**

AU 2013205854 A1 3/2014  
 GB 2491183 A 11/2012  
 WO 2014093850 A1 6/2014

**OTHER PUBLICATIONS**

Honeycomb Tower, Suzane Alward, Compulsive Art Tendencies Revealed, Mar. 2, 2014, [online], [site visited Apr. 16, 2018]. Retrieved from url:<https://suzannealward.wordpress.com/2014/03/02/honeycomb-tower/> (Year: 2014).  
 (Continued)

*Primary Examiner* — Elizabeth J Oswecki  
 (74) *Attorney, Agent, or Firm* — Faegre Baker Daniels LLP

(57) **CLAIM**

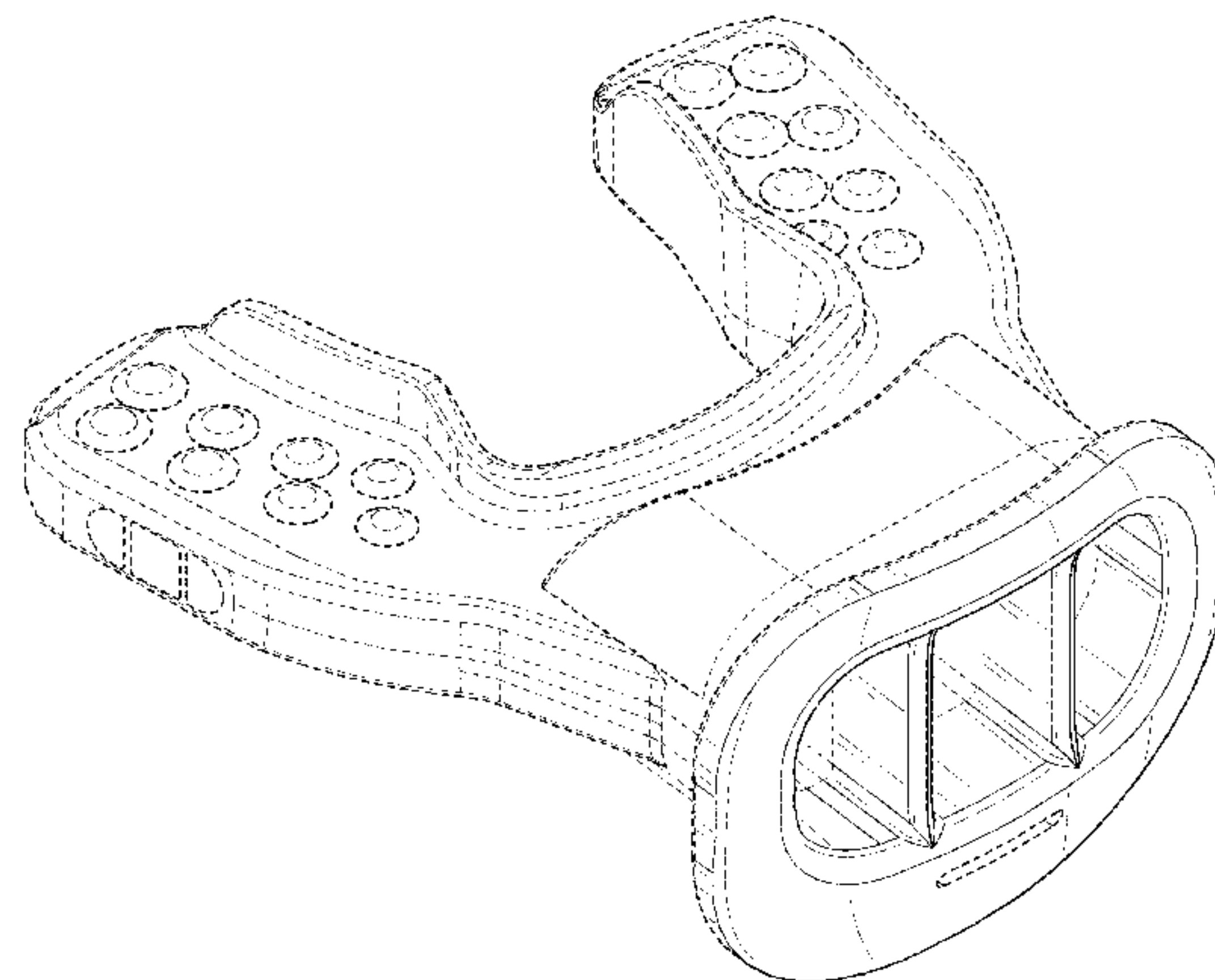
The ornamental design for mouthguard, as shown and described.

**DESCRIPTION**

FIG. 1 is a front perspective view of a mouthguard, showing my new design;  
 FIG. 2 is a front view thereof;  
 FIG. 3 is a back view thereof;  
 FIG. 4 is a left side view thereof;  
 FIG. 5 is a right side view thereof;  
 FIG. 6 is a top view thereof;  
 FIG. 7 is a bottom view thereof; and,  
 FIG. 8 is a rear perspective view thereof.  
 Features shown in dashed lines form no part of the claimed design.

**1 Claim, 8 Drawing Sheets**

- (56) **References Cited**  
U.S. PATENT DOCUMENTS
- 1,146,264 A 7/1915 Kelly
- 1,505,642 A 8/1924 Henry
- 1,569,947 A 1/1926 Buttress
- 1,720,439 A 7/1929 Richardson
- 2,312,171 A 2/1943 Jochum
- 2,444,294 A 6/1948 Jones et al.
- 2,521,039 A 9/1950 Carpenter
- 2,827,899 A 3/1958 Altieri
- 2,966,908 A 1/1961 Cathcart et al.
- 3,089,487 A 5/1963 Enicks et al.
- 3,103,217 A 9/1963 Butler et al.



(56)

References Cited

U.S. PATENT DOCUMENTS

3,236,235 A	2/1966	Jacobs		7,549,423 B1 *	6/2009	Hirshberg	A63B 71/085 128/848
3,247,844 A *	4/1966	Berghash	A63B 71/085 128/862	D603,101 S *	10/2009	Hirshberg	D29/108
3,312,218 A	4/1967	Jacobs		7,658,193 B2	2/2010	Lesniak	
3,333,582 A	8/1967	Cathcart		D611,658 S *	3/2010	Manzo	D29/108
3,411,501 A	11/1968	Greenberg		D614,304 S	4/2010	Jansheski	
D212,848 S	12/1968	Westlund et al.		D615,709 S *	5/2010	Manzo	D29/108
3,496,936 A	2/1970	Gores		D616,152 S *	5/2010	Manzo	D29/108
3,505,995 A	4/1970	Greenberg		D618,399 S *	6/2010	Manzo	D29/108
3,692,025 A	9/1972	Greenberg		7,775,214 B1	8/2010	Lesniak et al.	
3,768,465 A	10/1973	Helmer		D623,357 S *	9/2010	Manzo	D29/108
3,788,314 A	1/1974	Noreen		D626,292 S *	10/2010	Farrell	D29/108
3,878,610 A	4/1975	Coscina		D627,107 S *	11/2010	Manzo	D29/108
RE28,667 E	12/1975	Gores		D630,382 S *	1/2011	Manzo	D29/108
D263,073 S *	2/1982	Jonkers	D24/181	D630,860 S	1/2011	Sichel	
D268,962 S	5/1983	Adams et al.		D634,480 S *	3/2011	Manzo	D29/108
D273,527 S	4/1984	Pota		D636,074 S	4/2011	Levine	
4,495,945 A	1/1985	Liegner		7,954,496 B2	6/2011	Jansheski et al.	
4,568,280 A	2/1986	Ahlin		D641,478 S	7/2011	Belvedere et al.	
4,610,743 A	9/1986	Salmeen et al.		D642,277 S *	7/2011	Farrell	D24/181
4,944,947 A *	7/1990	Newman	A61C 19/063 128/861	D644,791 S	9/2011	Petrocelli	
4,977,905 A	12/1990	Kittelson et al.		8,033,392 B1	10/2011	Gehner et al.	
5,031,638 A	7/1991	Castaldi		D648,900 S *	11/2011	Manzo	D29/108
5,063,940 A	11/1991	Adell et al.		D649,252 S	11/2011	Spainhower	
5,078,367 A	1/1992	Simpson et al.		D652,576 S	1/2012	Farrell	
5,117,816 A	6/1992	Shapiro et al.		D654,595 S *	2/2012	Farrell	D24/181
D328,494 S *	8/1992	Schwendeman	D24/176	8,116,854 B2	2/2012	Hart et al.	
D328,965 S	9/1992	Ewing		D658,813 S *	5/2012	Manzo	D29/108
5,165,424 A	11/1992	Silverman		D663,485 S	7/2012	Turkbas et al.	
5,259,762 A	11/1993	Farrell		D663,486 S	7/2012	Turkbas et al.	
5,277,203 A	1/1994	Hays		8,235,052 B2	8/2012	Maurello	
5,293,880 A	3/1994	Levitt		D688,832 S	8/2013	Polk, III	
5,336,086 A	8/1994	Simmen et al.		D693,966 S	11/2013	Hanson	
5,339,832 A	8/1994	Kittelsen et al.		8,607,798 B2	12/2013	Turkbas et al.	
5,406,963 A	4/1995	Adell		D710,506 S	8/2014	Tolentino et al.	
5,566,683 A	10/1996	Thornton		8,800,184 B1 *	8/2014	Lerman	G09F 23/00 128/861
5,611,355 A	3/1997	Hilsen		D714,066 S	9/2014	Thuma et al.	
5,642,737 A	7/1997	Parks		D727,571 S *	4/2015	Brett	D29/108
D382,965 S	8/1997	Wagner		D728,162 S	4/2015	Gottsch	
5,692,523 A	12/1997	Croll et al.		D743,107 S *	11/2015	Hirshberg	D29/108
5,693,523 A	12/1997	Watanabe et al.		D743,108 S *	11/2015	Charlton	D29/108
5,826,581 A	10/1998	Yoshida		D760,889 S *	7/2016	Evans	D24/110.5
5,842,860 A	12/1998	Funt		D765,919 S *	9/2016	Croll	D29/108
D406,647 S	3/1999	Wagner		D782,743 S *	3/2017	Engel	D29/108
D414,281 S	9/1999	Sassenberg		9,622,837 B2	4/2017	Jansheski	
5,970,981 A	10/1999	Ochel		D795,501 S *	8/2017	Levine	D29/108
6,036,487 A	3/2000	Westerman		D797,379 S *	9/2017	Patel	D29/108
6,068,475 A	5/2000	Stoyka, Jr.		D799,049 S *	10/2017	Farrell	D24/181
6,082,363 A	7/2000	Washburn		D800,317 S *	10/2017	Farrell	D24/181
6,280,196 B1	8/2001	Berghash		D804,043 S	11/2017	Gildersleeve	
D452,011 S	12/2001	Redhage		D804,829 S	12/2017	Austin	
6,405,729 B1	6/2002	Thornton		D807,583 S *	1/2018	Evans	D29/108
6,450,167 B1	9/2002	David et al.		D814,053 S	3/2018	Darrow et al.	
6,491,036 B2	12/2002	Cook		D816,210 S *	4/2018	Gerschman	D24/110.5
6,494,210 B1	12/2002	Mams		2003/0075184 A1	4/2003	Persichetti	
6,584,978 B1	7/2003	Brett et al.		2003/0136416 A1	7/2003	White	
6,691,710 B2	2/2004	Kittelsen et al.		2003/0205234 A1	11/2003	Bardach et al.	
D492,785 S	7/2004	Garabito		2004/0076219 A1	4/2004	Madison et al.	
D493,578 S	7/2004	Manzo et al.		2004/0110111 A1	6/2004	Wasylycha	
6,978,786 B2	12/2005	Sabbagh		2004/0146836 A1	7/2004	Andersen	
D525,749 S	7/2006	Manzo et al.		2004/0146837 A1	7/2004	Andersen	
D526,093 S	8/2006	Manzo et al.		2004/0154626 A1	8/2004	Washburn et al.	
D527,848 S	9/2006	Manzo et al.		2005/0019524 A1	1/2005	Kershaw	
D530,863 S	10/2006	Manzo et al.		2007/0084471 A1	4/2007	Napoli et al.	
D537,986 S	3/2007	Manzo et al.		2007/0151567 A1	7/2007	Maurello	
D537,987 S *	3/2007	Manzo	D29/108	2007/0151568 A1	7/2007	Maurello	
D538,926 S *	3/2007	Jeong	D24/110	2007/0235039 A1	10/2007	Gottsch	
D539,429 S	3/2007	Wong		2008/0113143 A1	5/2008	Taylor	
D541,481 S	4/2007	Farrell		2009/0038624 A1	2/2009	Akervall et al.	
7,210,483 B1	5/2007	Lesniak et al.		2010/0051038 A1 *	3/2010	Quigless	A63B 71/085 128/861
D548,402 S *	8/2007	Trodick	D29/108	2010/0055233 A1	3/2010	MacInnis et al.	
7,299,804 B2	11/2007	Kittelsen et al.		2010/0304338 A1	12/2010	Cramer et al.	
D593,714 S *	6/2009	Hirshberg	D29/108	2011/0005531 A1	1/2011	Manzo	
				2011/0114100 A1	5/2011	Alvarez et al.	
				2011/0186055 A1	8/2011	Makkar et al.	
				2011/0214478 A1 *	9/2011	Hennig	G01M 7/08 73/12.01



(56)

References Cited

U.S. PATENT DOCUMENTS

2011/0230587	A1	9/2011	MacInnis et al.	
2012/0017922	A1	1/2012	Hirshberg	
2012/0085354	A1	4/2012	Polk, III	
2012/0090625	A1	4/2012	Evans et al.	
2012/0111343	A1*	5/2012	Turkbas .....	A63B 71/085 128/862
2012/0174932	A1	7/2012	Wilson	
2013/0052613	A1	2/2013	Chetiar et al.	
2013/0068237	A1	3/2013	Herman et al.	
2013/0074850	A1	3/2013	Lenart	
2013/0087157	A1	4/2013	Hawkins	
2013/0104913	A1	5/2013	Evans et al.	
2014/0090655	A1	4/2014	Robinson	
2014/0093836	A1	4/2014	Wolpo	
2014/0166024	A1	6/2014	Davidson et al.	
2014/0238416	A1	8/2014	Lin	
2014/0238417	A1	8/2014	Turkbas	
2014/0238418	A1	8/2014	Turkbas	
2014/0261465	A1	9/2014	Turkbas	
2014/0345626	A1	11/2014	Brett et al.	
2014/0352704	A1	12/2014	Farrell	
2016/0001160	A1	1/2016	Engel	
2017/0120135	A1	5/2017	Engel et al.	
2017/0172717	A1	6/2017	Deng et al.	
2017/0312613	A1	11/2017	Wright	
2018/0014912	A1	1/2018	Radmand	

OTHER PUBLICATIONS

Honeycomb wallpaper, no date available, [online], [site visited Apr. 13, 2018]. Retrieved from url:[http://eskipaper.com/honeycomb-wallpaper-3.html#gal\\_post\\_73869\\_honeycomb-wallpaper-3.jpg](http://eskipaper.com/honeycomb-wallpaper-3.html#gal_post_73869_honeycomb-wallpaper-3.jpg) (Year: 2018).

European Search Report issued in EP Application No. 14757382.6 dated Nov. 2, 2016, 9 pages.

Extended European Search Report issued in EP application No. 14756802.6, dated Oct. 31, 2016, 10 pages.

Gel Max Mouthguard, earliest comment Aug. 26, 2015, [online], [site visited Apr. 13, 2018]. Retrieved from url:<https://www.shockdoctor.com/gel-max-mouthguard> (Year: 2015).

Gel Max Power Mouthguard, earliest comment Oct. 9, 2017, [online], [site visited Apr. 13, 2018]. Retrieved from url:<https://www.shockdoctor.com/gel-max-power-mouthguard> (Year: 2017).

International Preliminary Report on Patentability issued in PCT/US2014/018755, dated Sep. 1, 2015, 5 pages.

International Preliminary Report on Patentability issued in PCT/US2014/018756, dated Sep. 11, 2015, 8 pages.

International Search Report and Written Opinion issued in PCT/US2014/018755, dated May 22, 2014, 8 pages.

International Search Report and Written Opinion issued in PCT/US2014/018756, dated Jun. 3, 2014, 11 pages.

International Search Report and Written Opinion issued in PCT/US2016/054693, dated Jul. 24, 2017, 17 pages.

PCT Invitation to Pay Additional Fees issued in PCT/US2016/054693, dated May 23, 2017, 14 pages.

Shock Doctor Gel Max Mouthguard, [www.shockdoctor.com/gel-max-mouthguard](http://www.shockdoctor.com/gel-max-mouthguard), accessed Jan. 24, 2017, at least available on Apr. 10, 2016.

Shock Doctor Max AirFlow Football Mouthguard (2016 Version), [www.shockdoctor.com/max-airflow-mouthguard-2016](http://www.shockdoctor.com/max-airflow-mouthguard-2016), accessed May 9, 2018, at least available in Apr. 2016.

Shock Doctor SuperFit Mouthguard, [www.shockdoctor.com/superfit-mouthguard](http://www.shockdoctor.com/superfit-mouthguard), accessed Jan. 24, 2017, at least available on Apr. 10, 2016.

Shock Doctor Ultra Double Braces Mouthguard, [www.shockdoctor.com/ultra-double-braces-mouthguard](http://www.shockdoctor.com/ultra-double-braces-mouthguard), accessed Jan. 24, 2017, at least available on Apr. 10, 2016.

Shock Doctor Ultra2 STC Mouthguard, [www.shockdoctor.com/ultra2-stc-mouthguard](http://www.shockdoctor.com/ultra2-stc-mouthguard), accessed Jan. 24, 2017, at least available on Apr. 10, 2016.

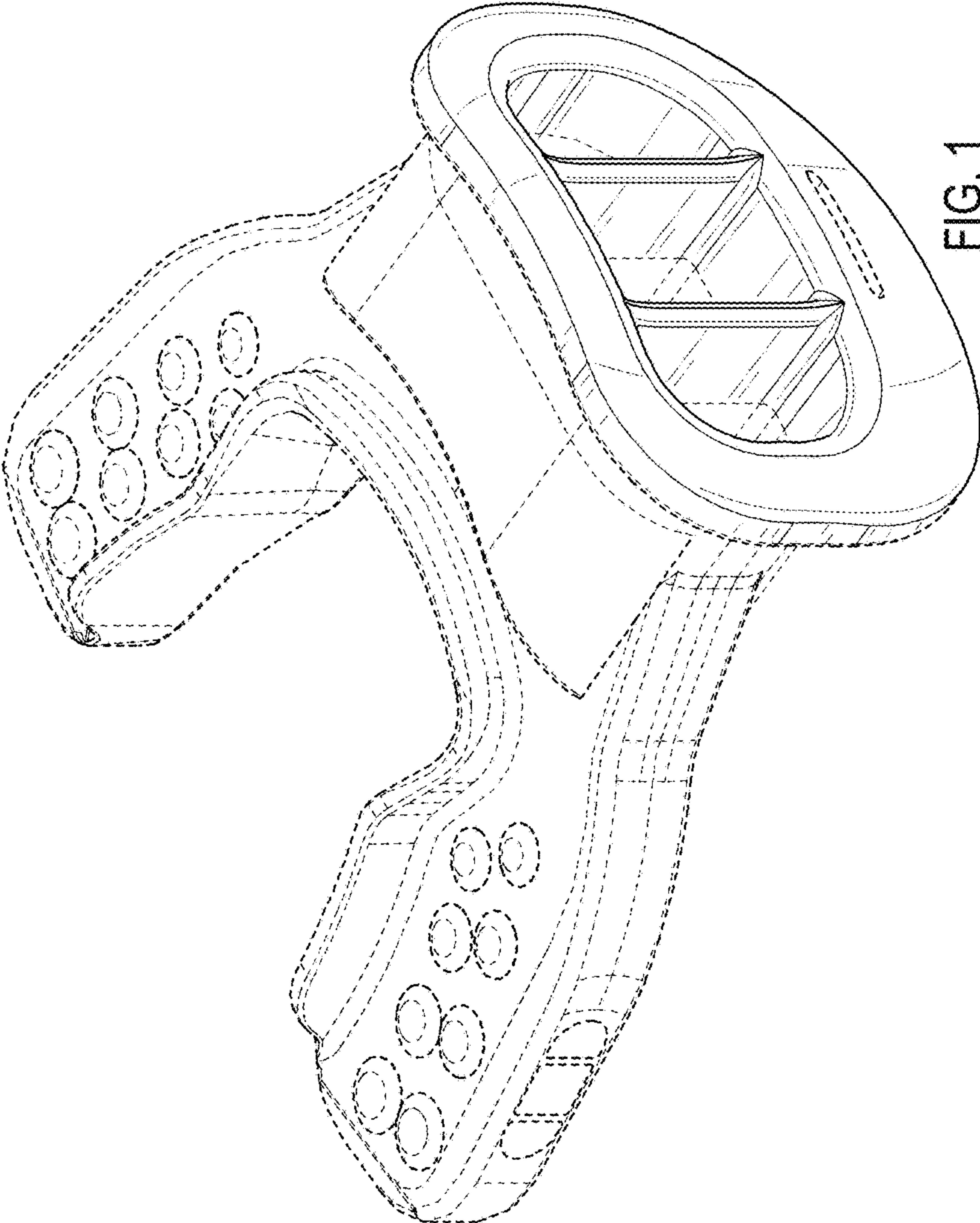
SuperFit Basketball Mouthguard, earliest comment Jul. 17, 2017, [online], [site visited Apr. 13, 2018]. Retrieved from url: <https://www.shockdoctor.com/superfit-basketball-mouthguard-9200> (Year 2017).

U.S. Appl. No. 29/610,733 entitled Mouthguard, filed Jul. 14, 2017.

U.S. Appl. No. 29/629,798 entitled Mouthguard, filed Dec. 15, 2017.

U.S. Appl. No. 29/629,806 entitled Moutguard, filed Dec. 15, 2017.

\* cited by examiner



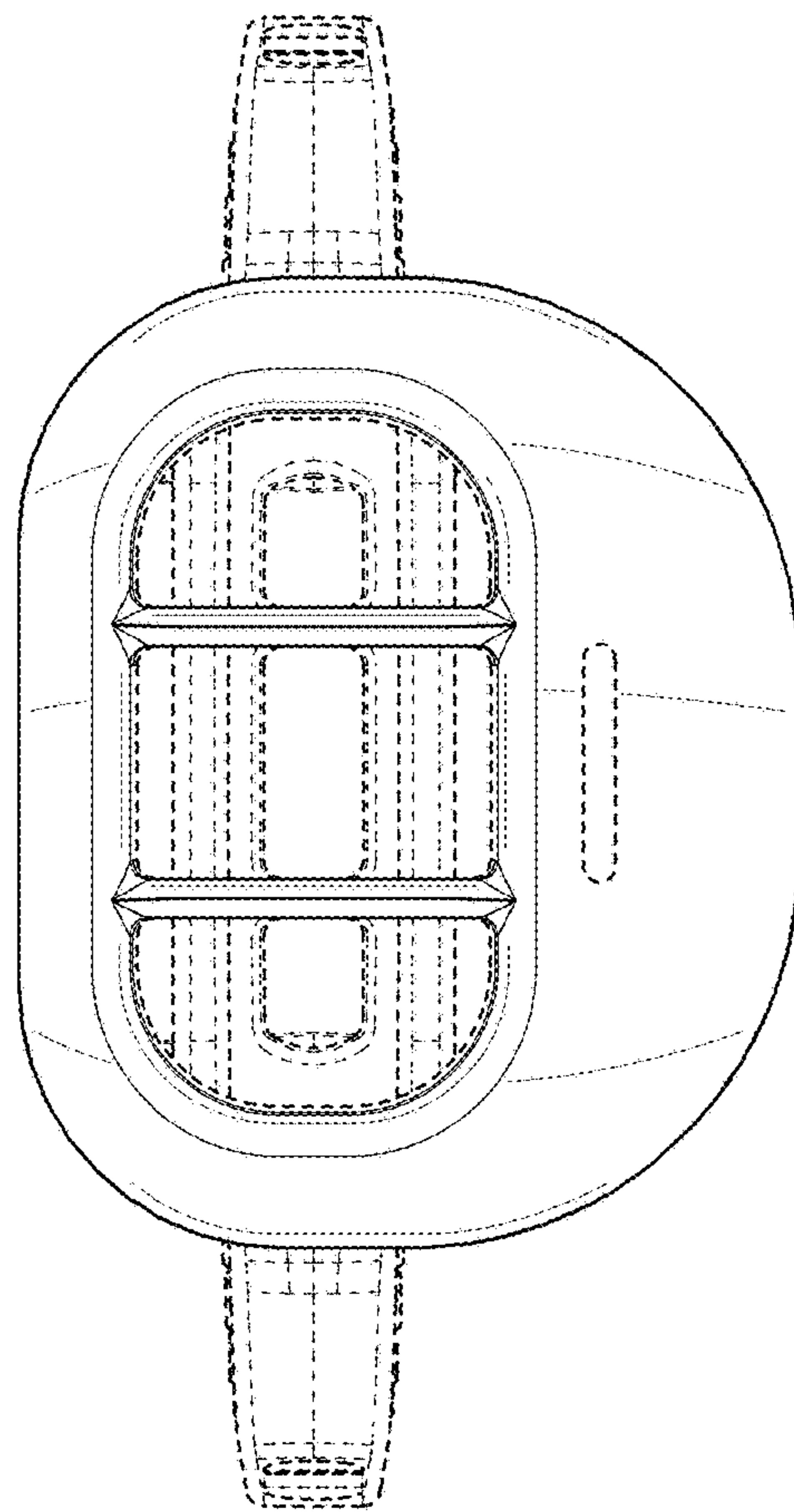


FIG. 2

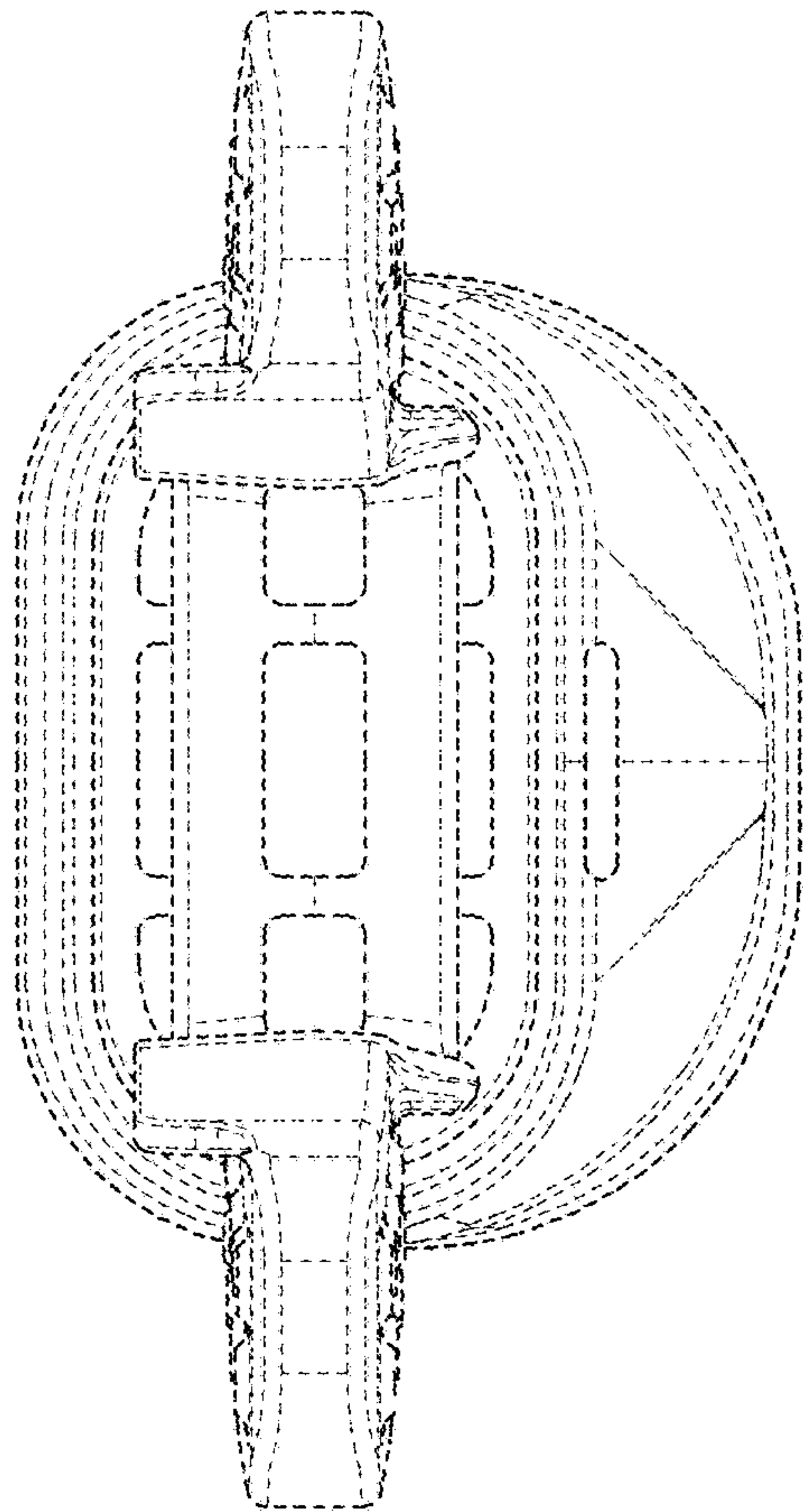


FIG. 3

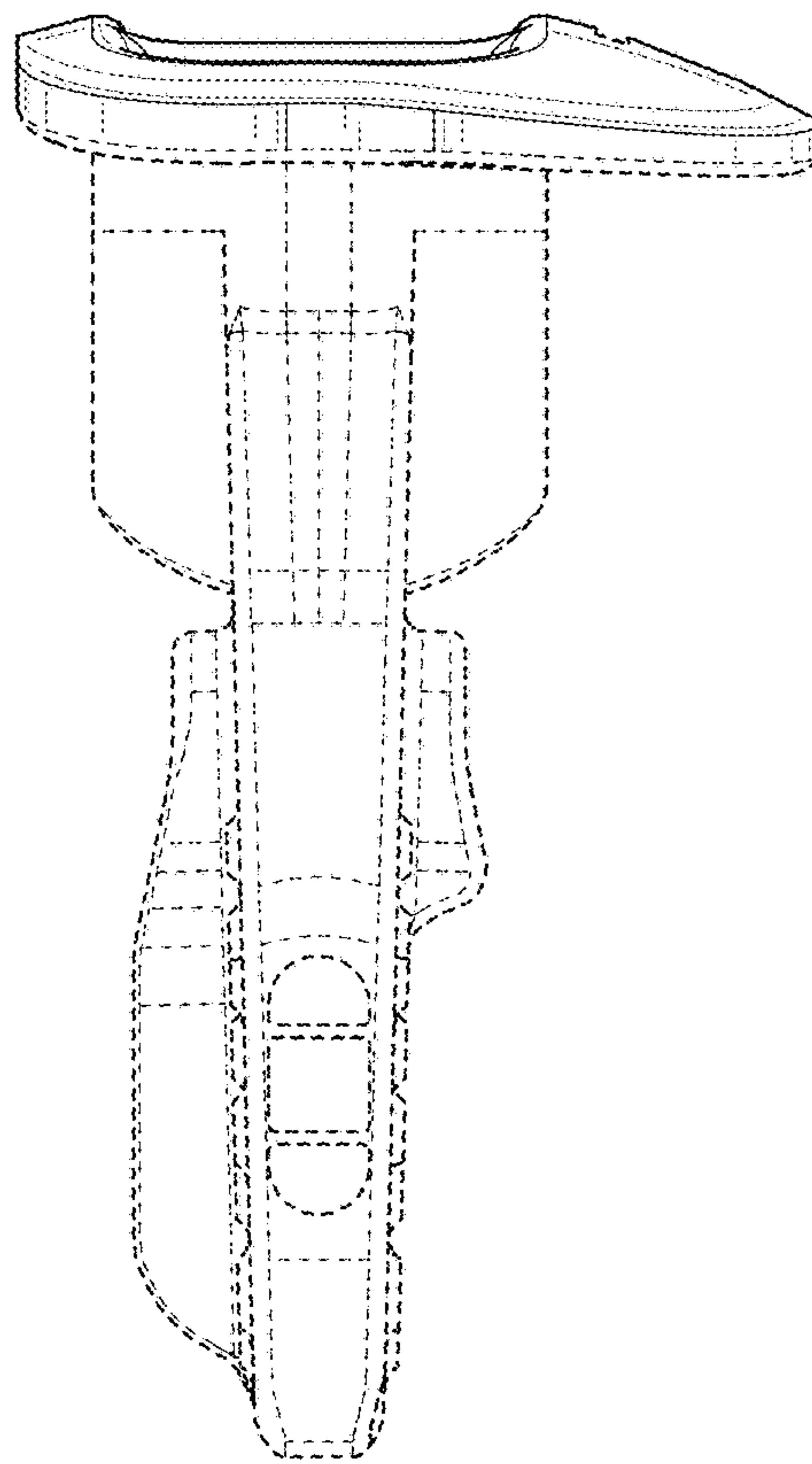


FIG. 4



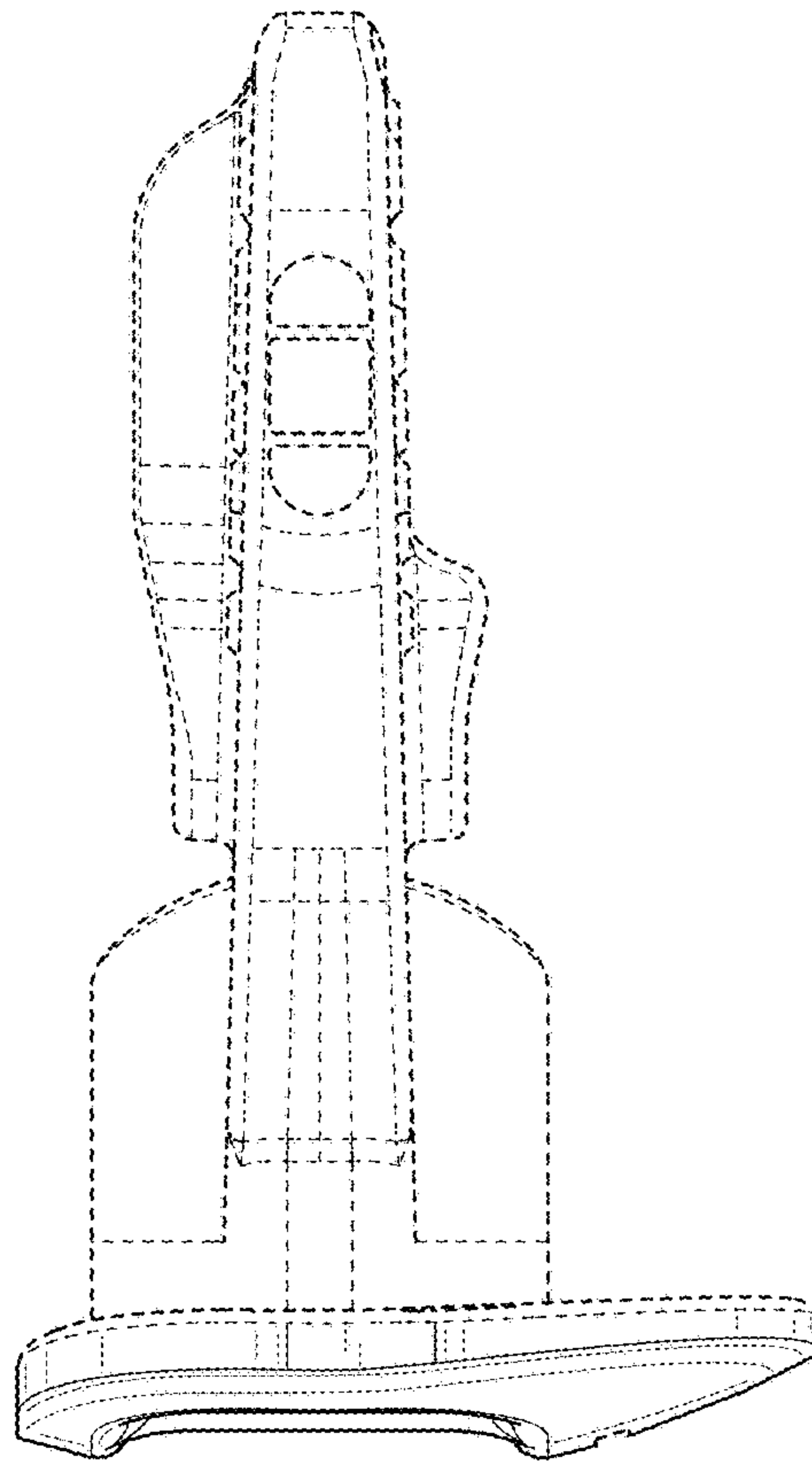


FIG. 5



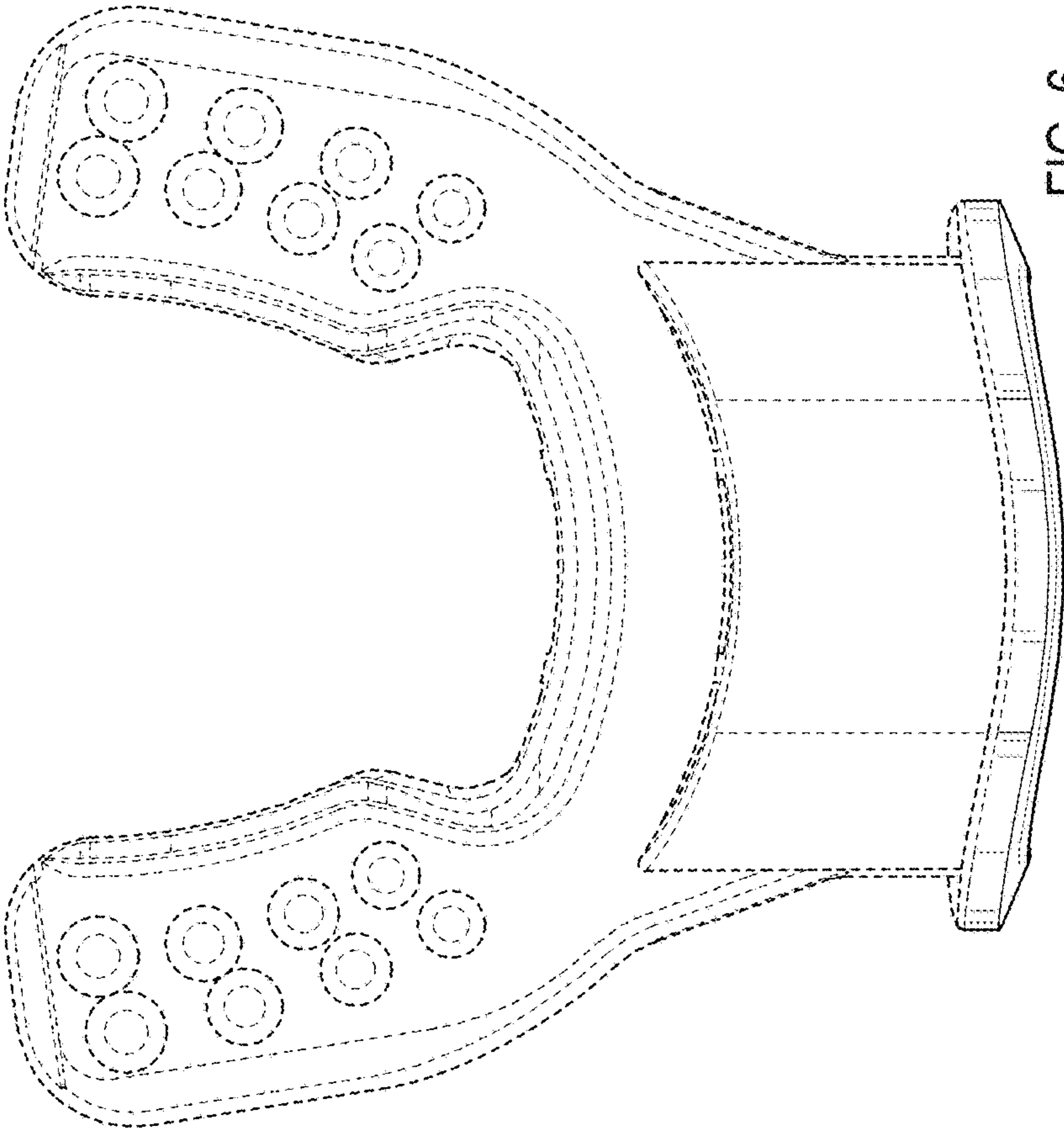


FIG. 6

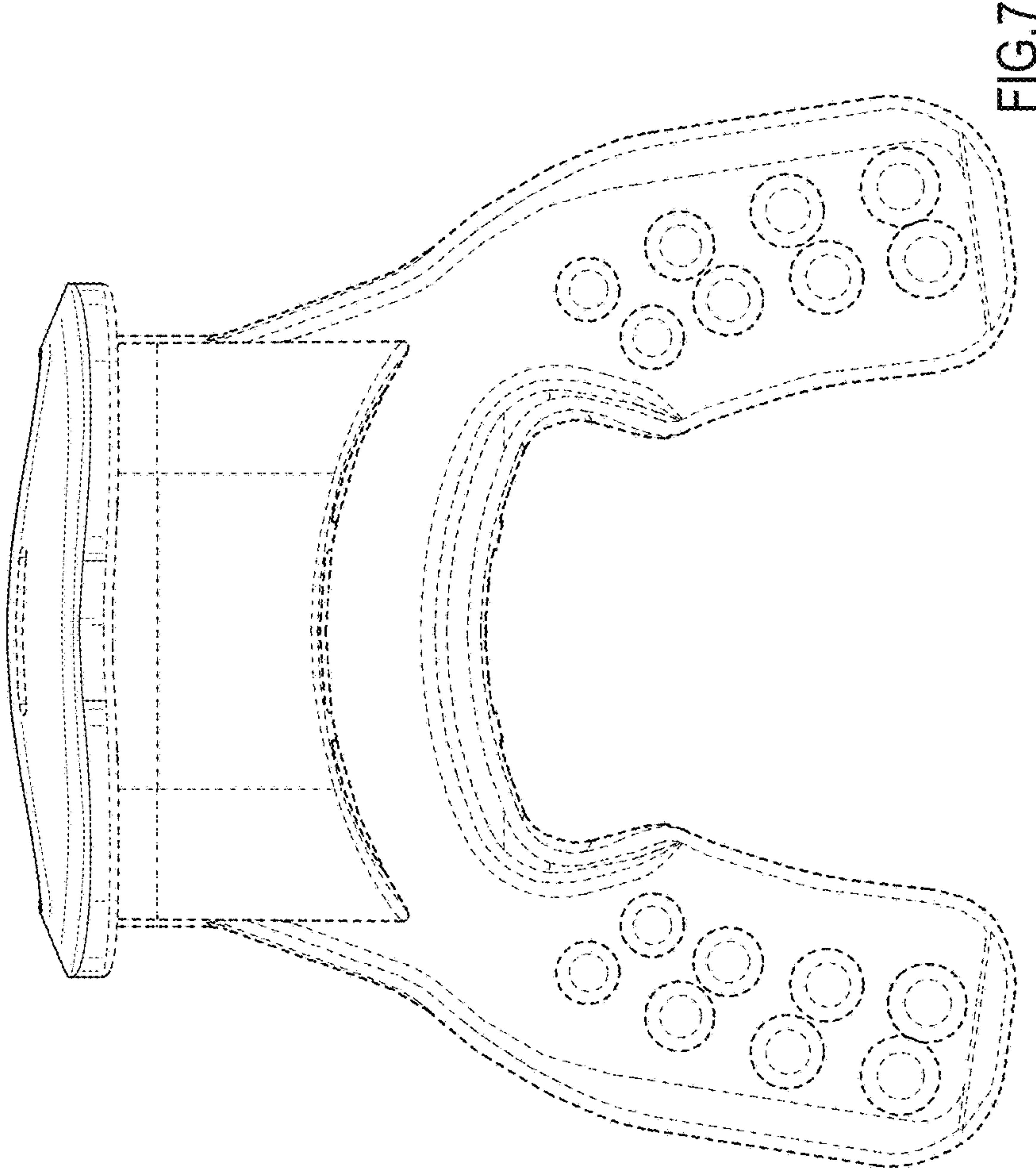


FIG. 7

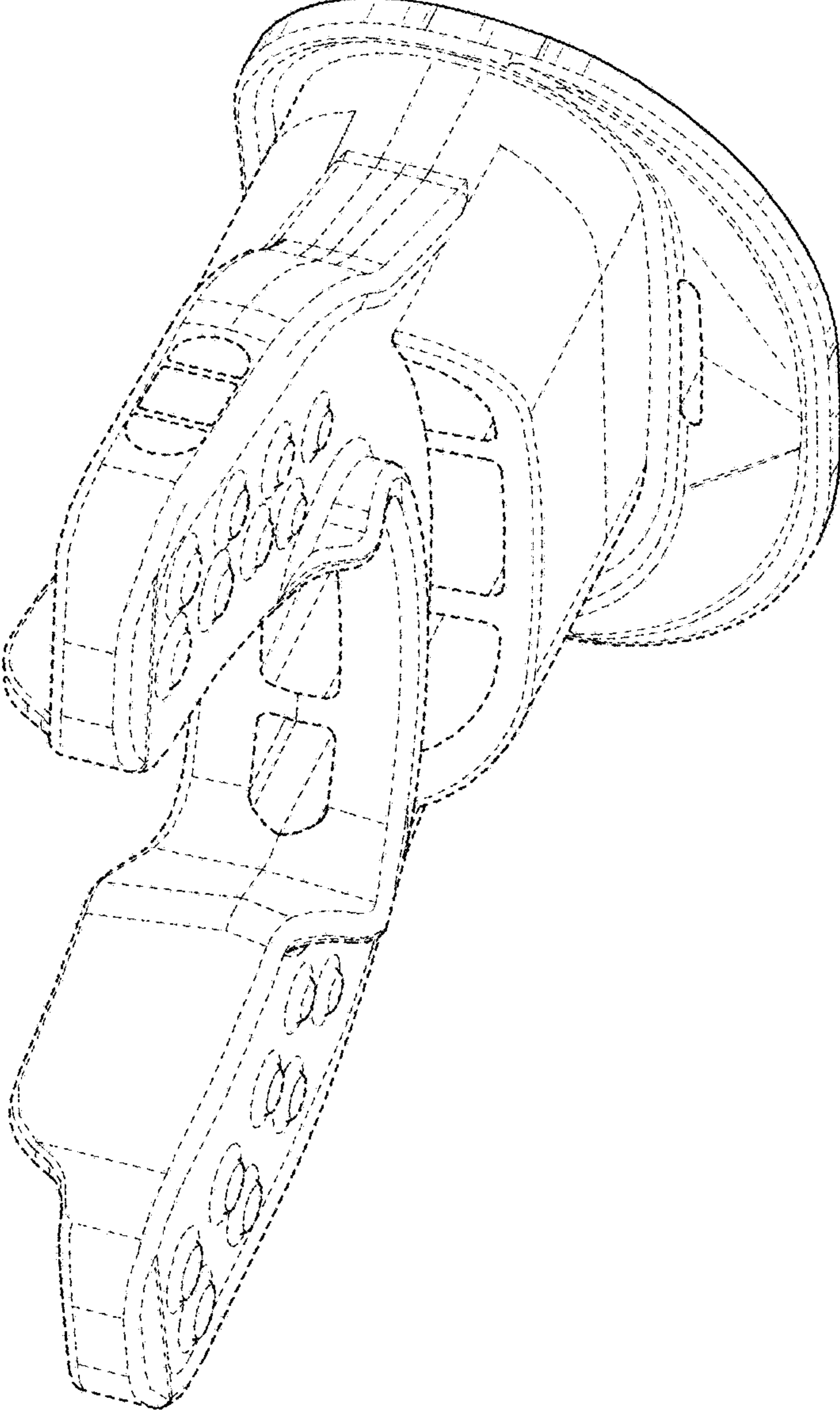


FIG. 8