



US00D839479S

(12) **United States Design Patent**  
**Heslop**

(10) **Patent No.:** **US D839,479 S**  
(45) **Date of Patent:** **\*\* Jan. 29, 2019**

(54) **COSMETIC PRODUCT MIXING KIT**

(71) Applicant: **Nail Alliance-SOE, INC**, Gladstone, MO (US)

(72) Inventor: **Paul Heslop**, Farmington, UT (US)

(73) Assignee: **Nail Alliance, LLC**, Gladstone, MO (US)

(\*\*) Term: **15 Years**

(21) Appl. No.: **29/581,386**

(22) Filed: **Oct. 18, 2016**

(51) **LOC (11) Cl.** ..... **28-03**

(52) **U.S. Cl.**  
USPC ..... **D28/61; D28/73**

(58) **Field of Classification Search**  
USPC ..... D28/76-78, 81-84, 73, 61; 132/294, 132/303-305, 314-318, 287; D3/205,  
(Continued)

(56) **References Cited**

**U.S. PATENT DOCUMENTS**

D96,299 S \* 7/1935 Clarkson ..... D28/77  
2,465,946 A \* 3/1949 Velez ..... A45D 33/26  
132/315

(Continued)

**FOREIGN PATENT DOCUMENTS**

EP 2112082 10/2009  
WO 2004091477 10/2004

**OTHER PUBLICATIONS**

Blend Box Starter Training, Salt of the Earth, published at youtube.com, author not listed, posted May 14, 2018 © not listed, online, site visited Jun. 26, 2018. Available from Internet, URL: <https://www.youtube.com/watch?v=SD5WMNu7ShA&feature=youtu.be>, 9 pages (Year: 2018).\*

(Continued)

*Primary Examiner* — Shannon W Morgan  
*Assistant Examiner* — Altaira J Swangin  
(74) *Attorney, Agent, or Firm* — Polsinelli PC

(57) **CLAIM**

The ornamental design for a cosmetic product mixing kit, substantially as shown and described.

**DESCRIPTION**

FIG. 1 is a perspective view of a cosmetic product mixing kit including a base unit, a removable top surface unit, and a removable end unit.

FIG. 2 is a top view of the cosmetic product mixing kit of FIG. 1.

FIG. 3 is a bottom view of the cosmetic product mixing kit of FIG. 1.

FIG. 4 is a front view of the cosmetic product mixing kit of FIG. 1.

FIG. 5 is a back view of the cosmetic product mixing kit of FIG. 1.

FIG. 6 is a left view of the cosmetic product mixing kit of FIG. 1.

FIG. 7 is a right view of the cosmetic product mixing kit of FIG. 1.

FIG. 8 is a top view showing the base unit of the cosmetic product mixing kit of FIG. 1 separate from the removable top surface and the removable end unit.

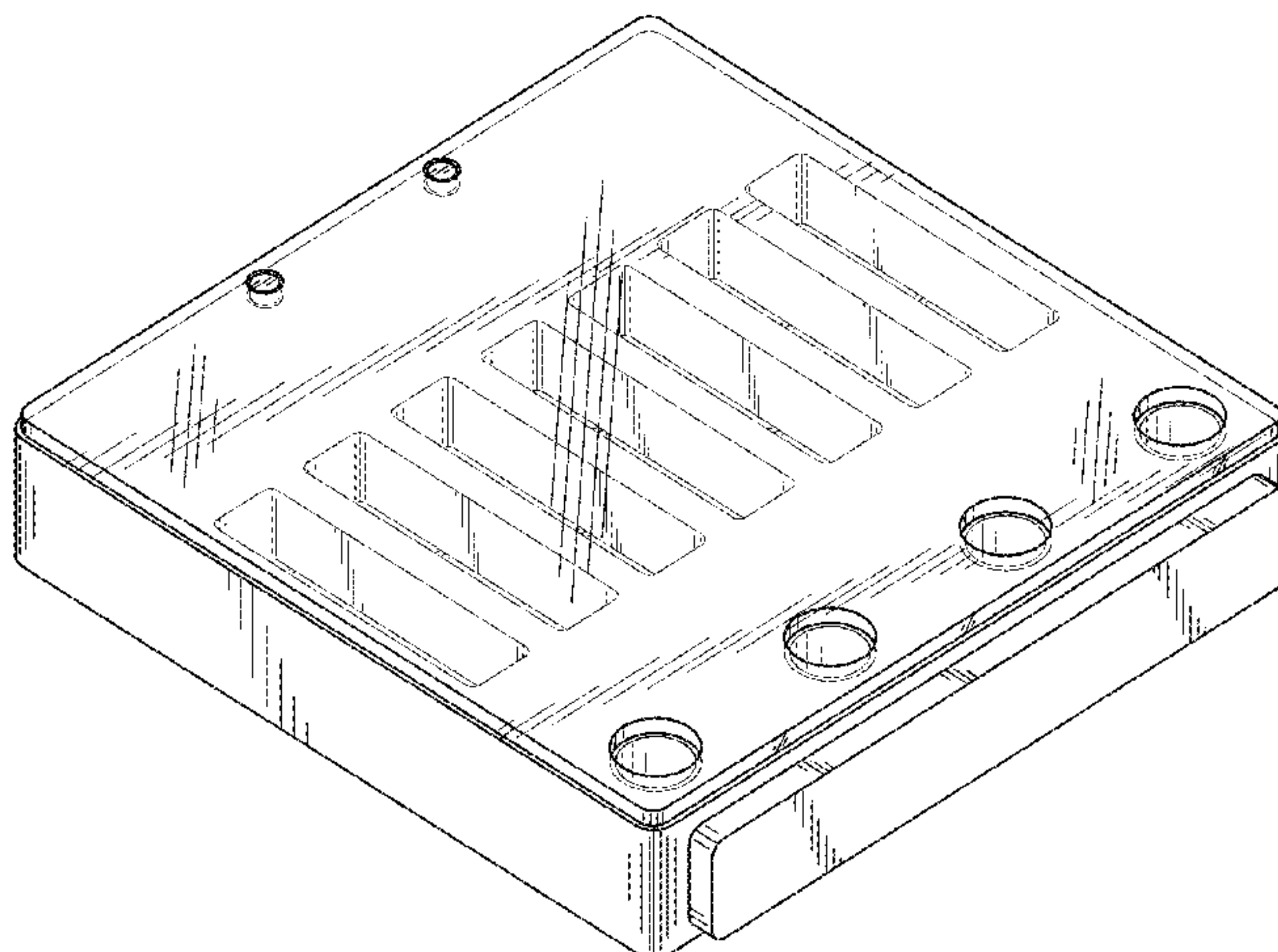
FIG. 9 is a top view showing the removable top surface unit of the cosmetic product mixing kit separate from the base unit and the removable end unit of FIG. 1.

FIG. 10 is a top view showing the removable end unit of the cosmetic product mixing separate from the base unit and the removable top surface unit of FIG. 1; and,

FIG. 11 is a perspective view showing the base unit of the cosmetic product mixing kit of FIG. 1 separate from the removable top surface unit and the removable end unit.

The broken lines in FIGS. 8, 10, and 11 of the cosmetic product mixing kit are for the purpose of illustrating environment, and form no part of the claimed design.

**1 Claim, 7 Drawing Sheets**



(58) **Field of Classification Search**

USPC ..... D3/901; 206/542, 581, 823; 264/630;  
 D9/426, 430, 432, 549, 759-760;  
 D19/103-104, 106-107; D23/366  
 CPC .... A45D 40/00; A45D 40/18; A45D 40/0087;  
 A45D 40/222; A45D 33/00; A45D  
 33/006; A45D 33/025; A45D 2040/225;  
 A45D 2034/007; A45D 33/008; A45D  
 33/003; A45D 33/18; A45D 33/16; A45D  
 40/24

See application file for complete search history.

(56) **References Cited**

U.S. PATENT DOCUMENTS

D153,339 S \* 4/1949 Deckinger ..... D19/106  
 3,273,700 A \* 9/1966 Moreau ..... B44D 3/04  
 206/1.7  
 D224,071 S \* 6/1972 Hatibovich et al. .... 206/0.81  
 3,784,270 A 1/1974 DeLapp  
 4,085,845 A \* 4/1978 Perfect ..... B65D 81/133  
 206/564  
 D248,451 S \* 7/1978 Freed ..... D9/759  
 D255,125 S \* 5/1980 Hazama ..... D18/7  
 4,329,002 A 5/1982 Cowen et al.  
 D268,292 S \* 3/1983 Chevassus ..... D28/83  
 4,421,127 A \* 12/1983 Geer ..... A45D 33/006  
 132/294  
 D279,688 S \* 7/1985 Kitai ..... D18/7  
 D280,976 S \* 10/1985 Diamond ..... D9/456  
 D281,731 S \* 12/1985 Phu ..... D28/77  
 4,589,430 A \* 5/1986 Sussman ..... A45D 40/22  
 132/218  
 D285,617 S \* 9/1986 Stillwagon ..... D28/83  
 D300,540 S \* 4/1989 Salis ..... D19/106  
 D311,210 S \* 10/1990 Bottcher ..... D19/103  
 5,005,697 A \* 4/1991 Jimbo ..... A45C 13/02  
 132/294  
 D345,622 S \* 3/1994 Byars ..... D28/83  
 D345,826 S \* 4/1994 Byars ..... D28/83  
 5,395,166 A 3/1995 Watson  
 D368,736 S \* 4/1996 Massena ..... D19/103  
 5,626,155 A 5/1997 Saute  
 D380,380 S \* 7/1997 Quinton ..... D9/737  
 5,941,255 A 8/1999 Chen  
 D416,196 S \* 11/1999 Noble ..... D3/203.8  
 D433,191 S \* 10/2000 Adachi ..... D28/78  
 D433,538 S \* 11/2000 Wardlaw ..... D28/83  
 D441,192 S \* 5/2001 Park ..... D3/294  
 D457,687 S \* 5/2002 Millar ..... D28/77  
 6,422,245 B1 \* 7/2002 Song ..... A45D 33/006  
 132/295  
 D471,322 S \* 3/2003 Lai ..... D28/83  
 D472,676 S \* 4/2003 Lai ..... D28/79  
 D475,810 S \* 6/2003 Lai ..... D28/83  
 D475,811 S \* 6/2003 Bontempo ..... D28/83  
 D488,263 S \* 4/2004 Thorpe ..... D28/83  
 D491,693 S \* 6/2004 Chen ..... D28/83

6,796,431 B1 \* 9/2004 Goldring ..... A45D 33/006  
 132/297  
 6,832,688 B1 12/2004 Rivera et al.  
 D506,833 S \* 6/2005 Wescott, III ..... B01L 9/06  
 422/411  
 D515,244 S \* 2/2006 Bae ..... D28/83  
 D554,294 S \* 10/2007 Thorpe ..... D28/83  
 D554,866 S \* 11/2007 Hasty ..... D3/319  
 7,306,297 B2 12/2007 Woody  
 D564,707 S \* 3/2008 Barresi ..... D28/83  
 D583,152 S \* 12/2008 Keeney ..... D3/301  
 D583,997 S \* 12/2008 Thorpe ..... D28/83  
 D621,548 S \* 8/2010 Chen ..... D28/83  
 D631,610 S \* 1/2011 Barresi ..... D28/83  
 D650,948 S \* 12/2011 Barresi ..... D28/83  
 8,074,390 B2 12/2011 Rain  
 8,550,477 B2 10/2013 Bennett et al.  
 D709,651 S \* 7/2014 Gaito ..... D28/83  
 D718,499 S \* 11/2014 Pourmehr ..... D28/83  
 D723,220 S \* 2/2015 Guor ..... D28/83  
 9,427,062 B2 \* 8/2016 Eberlein ..... A45D 33/20  
 D767,409 S \* 9/2016 Nickell ..... D9/737  
 9,961,980 B2 \* 5/2018 Greenfield ..... A45D 33/008  
 9,968,015 B2 \* 5/2018 Byler ..... H04B 1/3888  
 2004/0200497 A1 \* 10/2004 Thorpe ..... A45D 33/008  
 132/287  
 2004/0206370 A1 \* 10/2004 Byun ..... A45D 33/20  
 132/287  
 2006/0188850 A1 \* 8/2006 Mills ..... A45D 33/006  
 434/100  
 2009/0166246 A1 \* 7/2009 Haloulos ..... A45D 40/00  
 206/581  
 2009/0166247 A1 \* 7/2009 Gindi ..... A45D 33/008  
 206/581  
 2009/0283441 A1 11/2009 Santaw et al.  
 2010/0224212 A1 \* 9/2010 Chen ..... A45D 33/20  
 132/287  
 2011/0073123 A1 3/2011 Ferrence et al.  
 2011/0253168 A1 \* 10/2011 Chen ..... A45D 40/222  
 132/315  
 2012/0255572 A1 10/2012 Dan  
 2012/0272997 A1 \* 11/2012 Chen ..... A45D 33/20  
 132/316  
 2013/0048009 A1 \* 2/2013 Crapet ..... A45D 33/20  
 132/287

OTHER PUBLICATIONS

Custom Spa Blend Box, Salt of the Earth, published at vimeo.com, posted by switchfunky on Nov. 21, 2016 © 2018 Viemo, Inc., online, site visited Jul. 26, 2018. Available from Internet, URL: <https://vimeo.com/156552801>, 5 pages (Year: 2016).\*

Aromatherapy Kit, Islands Miracle Essential Oils, amazon.com, posted by Shelby C. on Jun. 15, 2016 © 1996-2018, Amazon.com, Inc., online, visited Jul. 26, 2018. Available at Internet URL: <https://www.amazon.com/Aromatherapy-Therapeutic-Frankincense-Peppermint-Eucalyptus/dp/B01EGH0JOO>, 10 pages (Year: 2016).\*  
 Heslop, U.S. Appl. No. 14/818,892, filed Aug. 5, 2015, entitled Portable Spa Treatment Kit and Methods for Using the Same.

\* cited by examiner



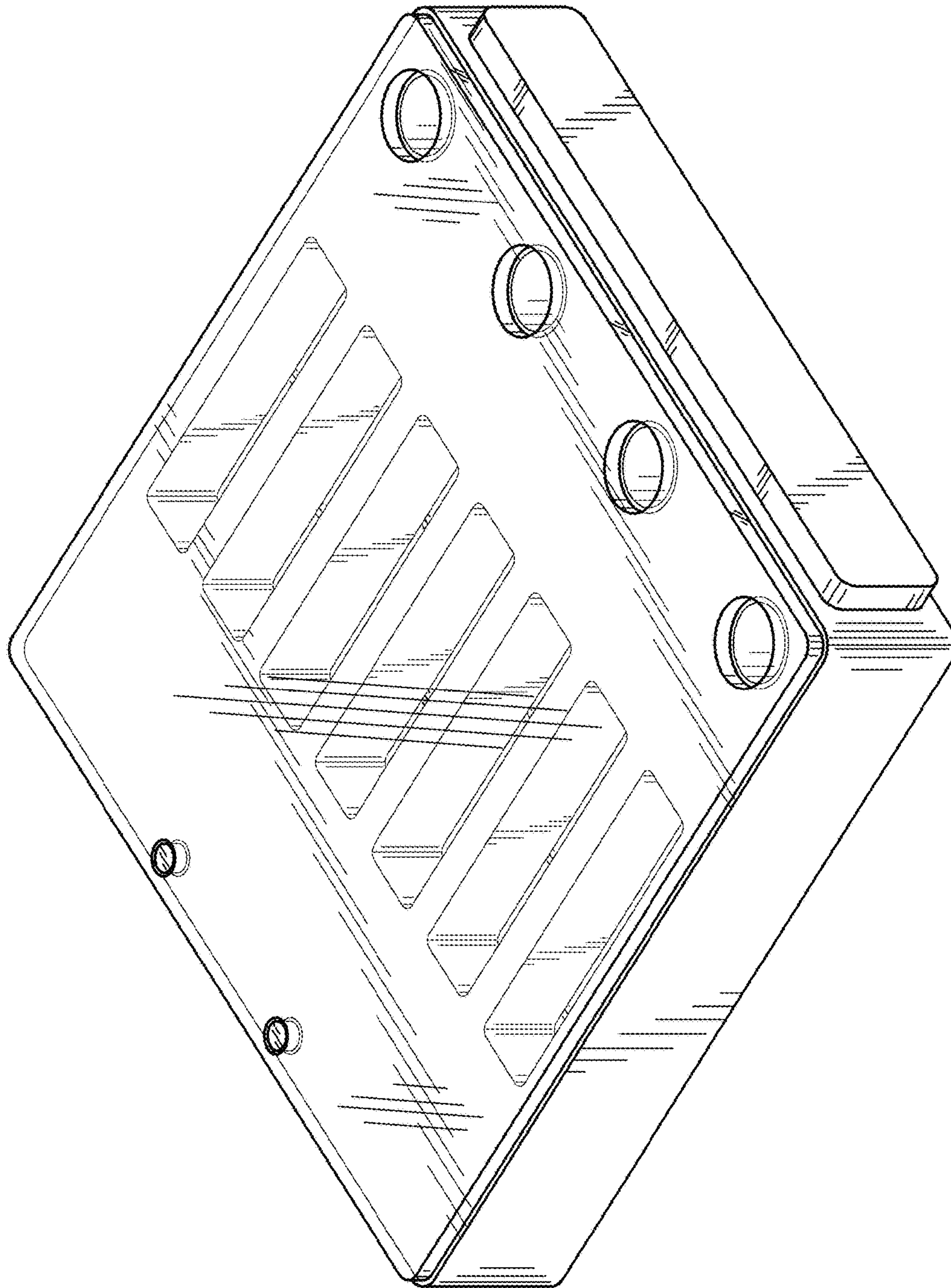
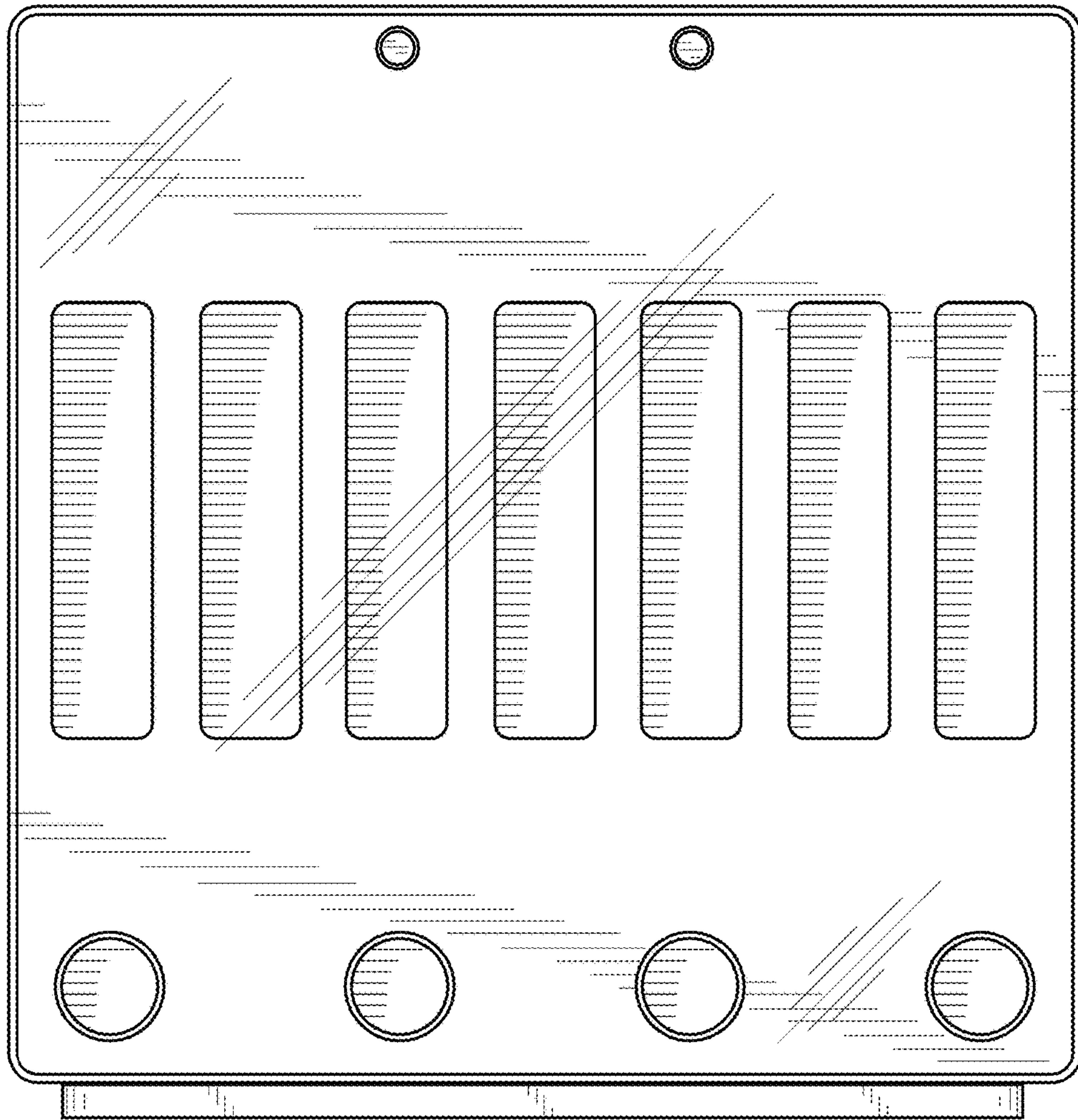
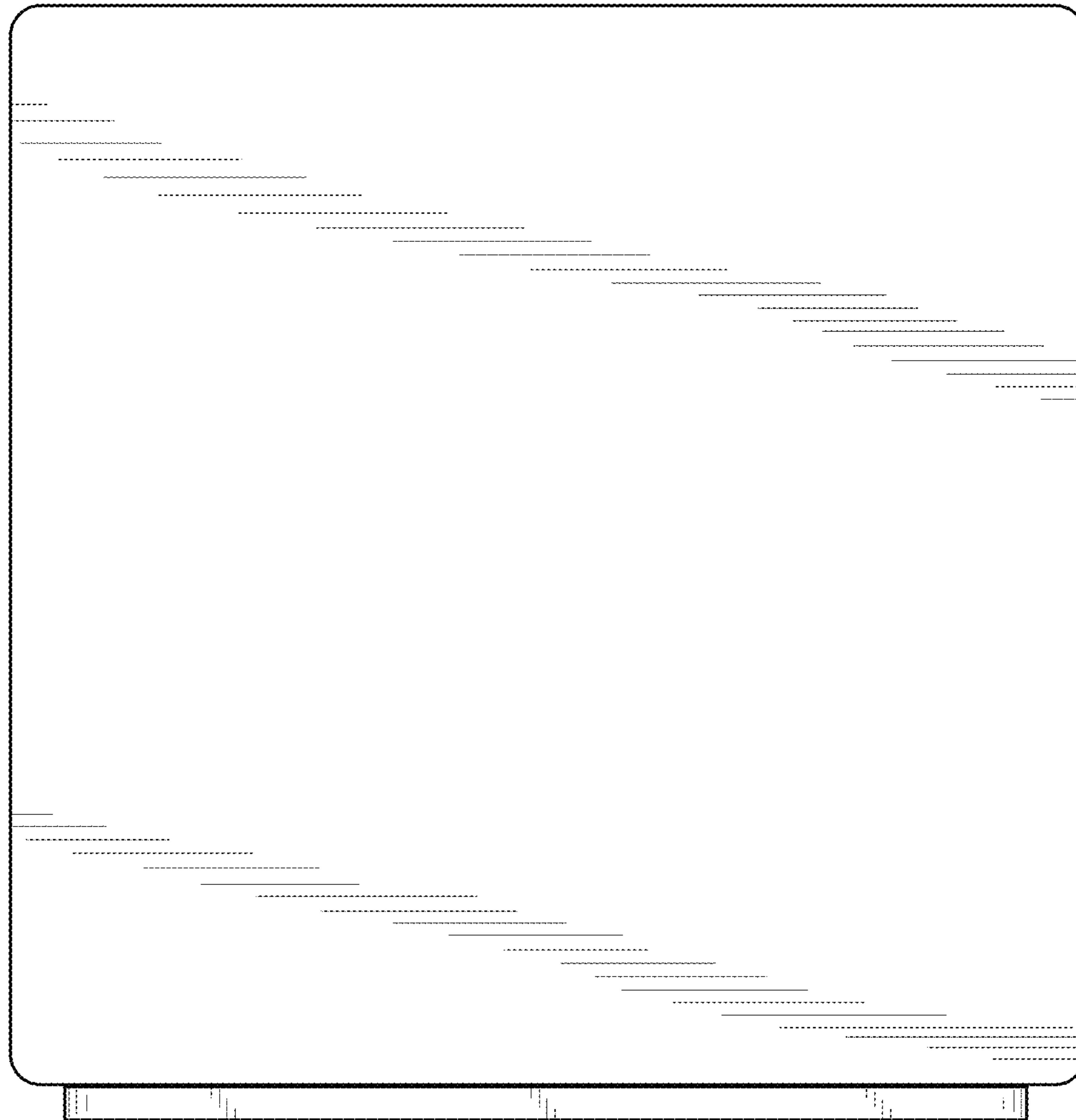


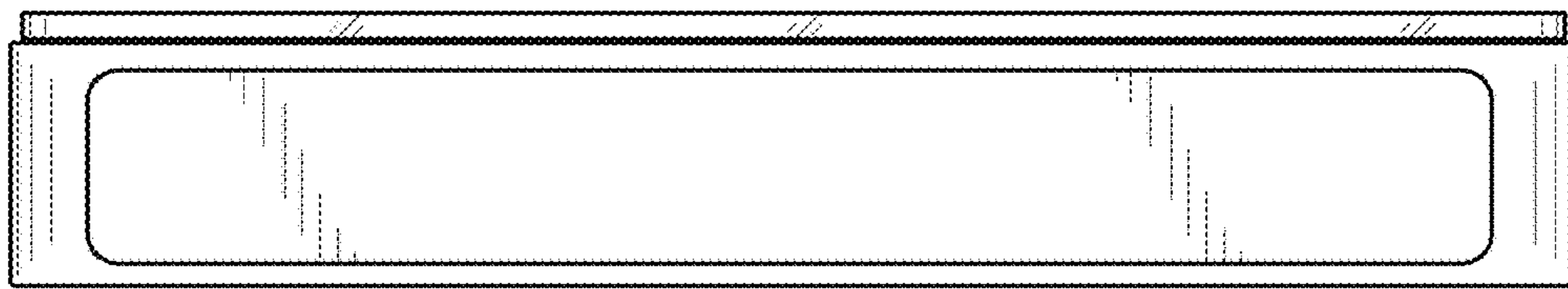
FIG. 1



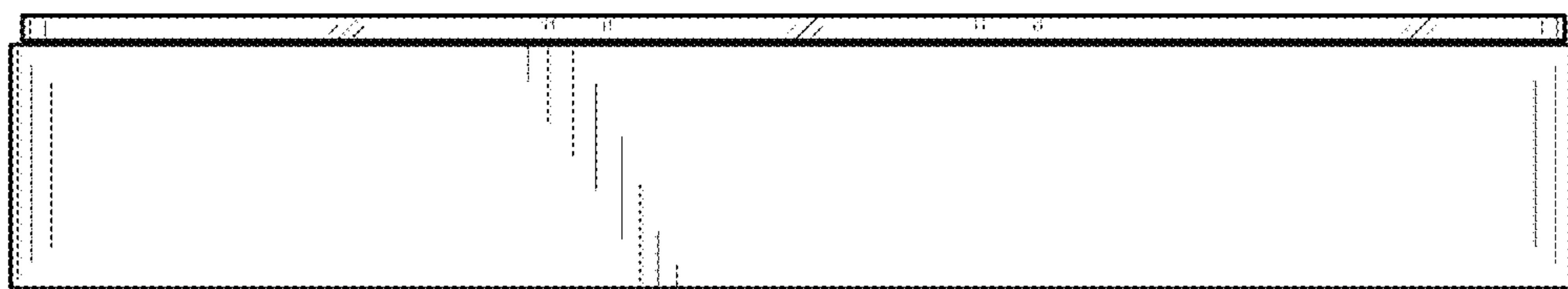
**FIG. 2**



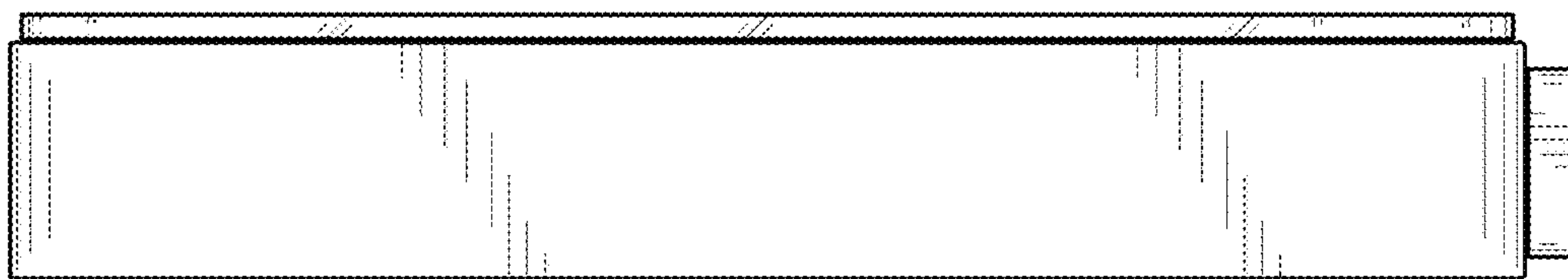
**FIG. 3**



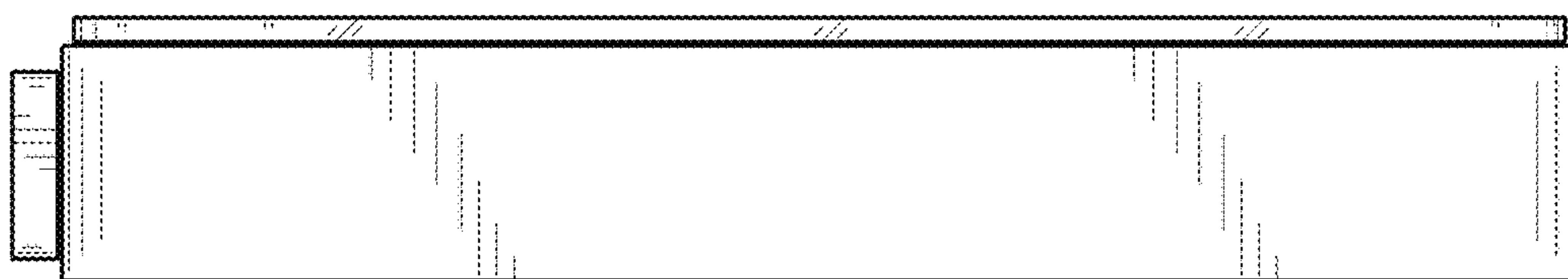
**FIG. 4**



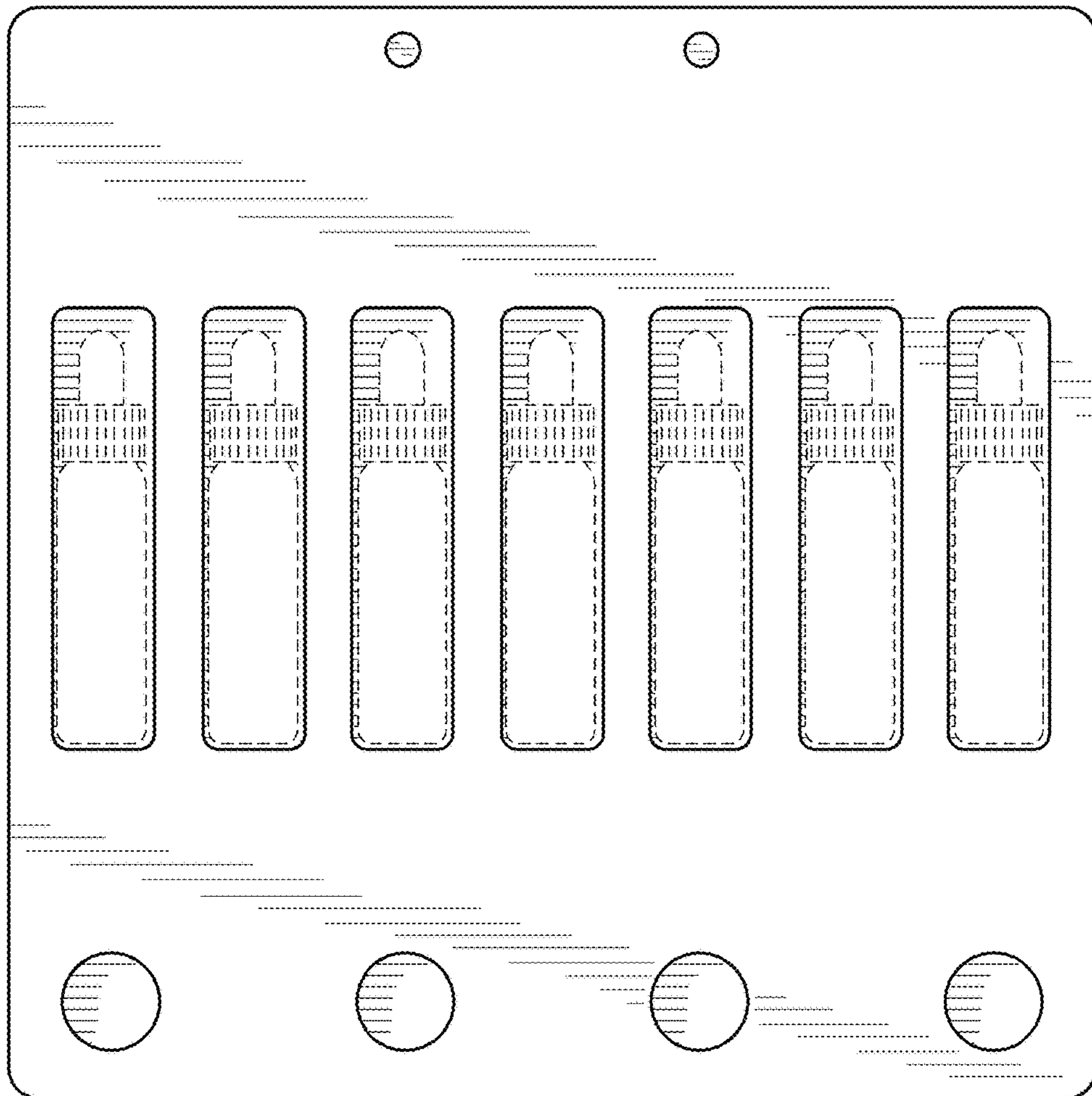
**FIG. 5**



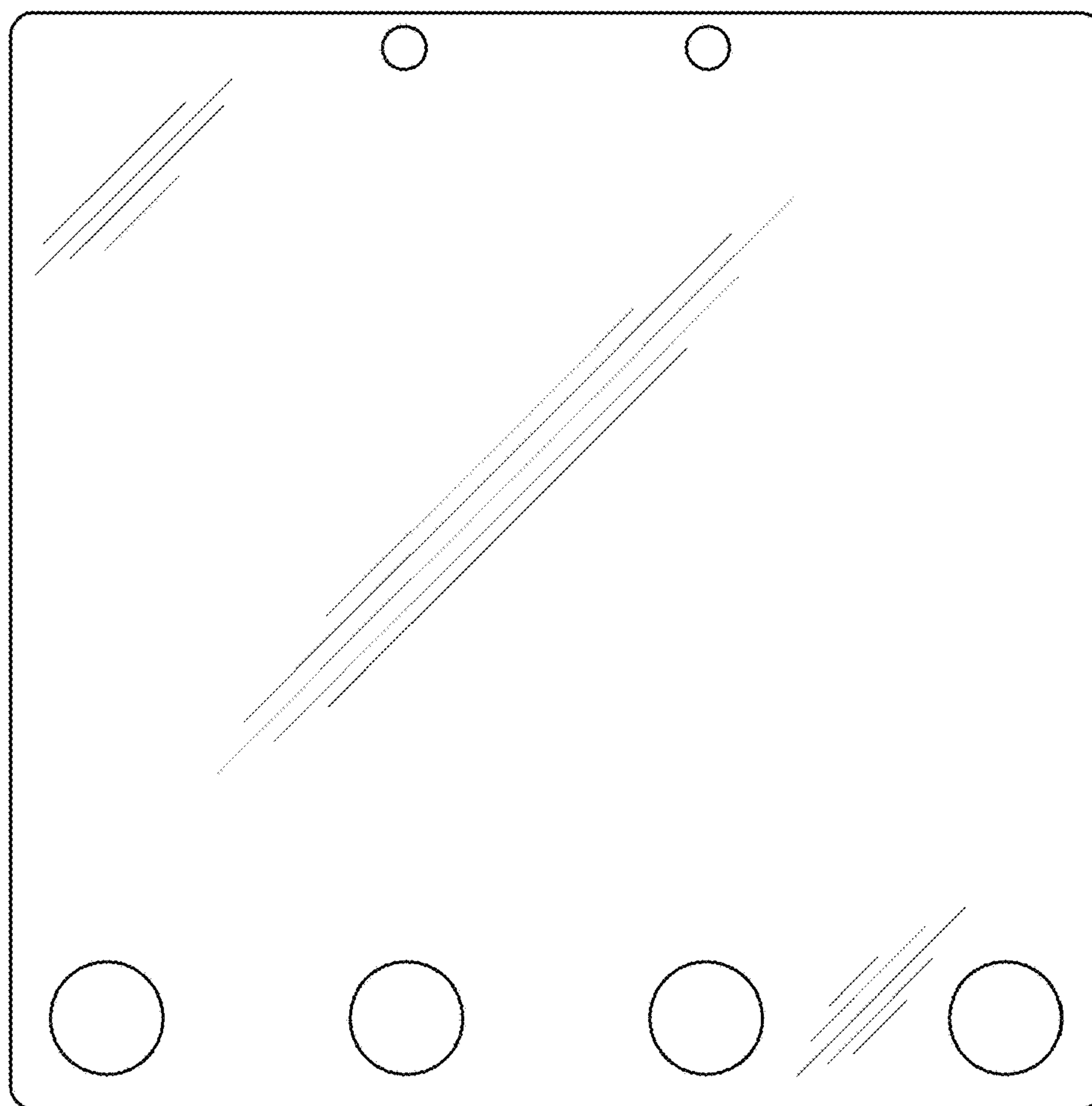
**FIG. 6**



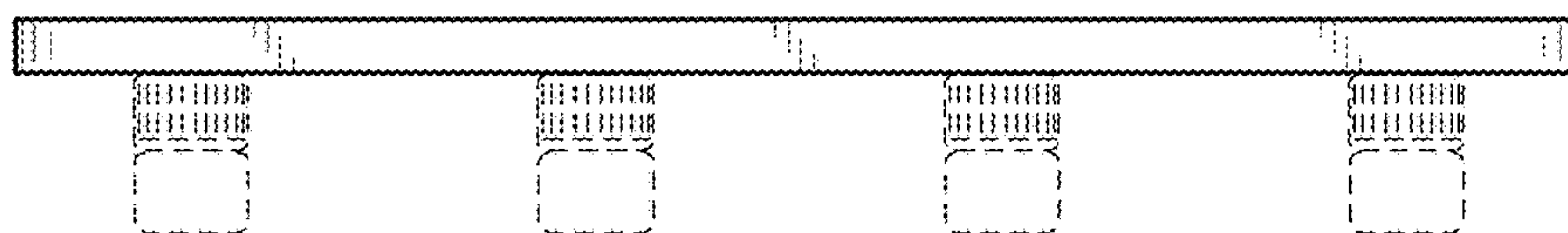
**FIG. 7**



**FIG. 8**



**FIG. 9**



**FIG. 10**



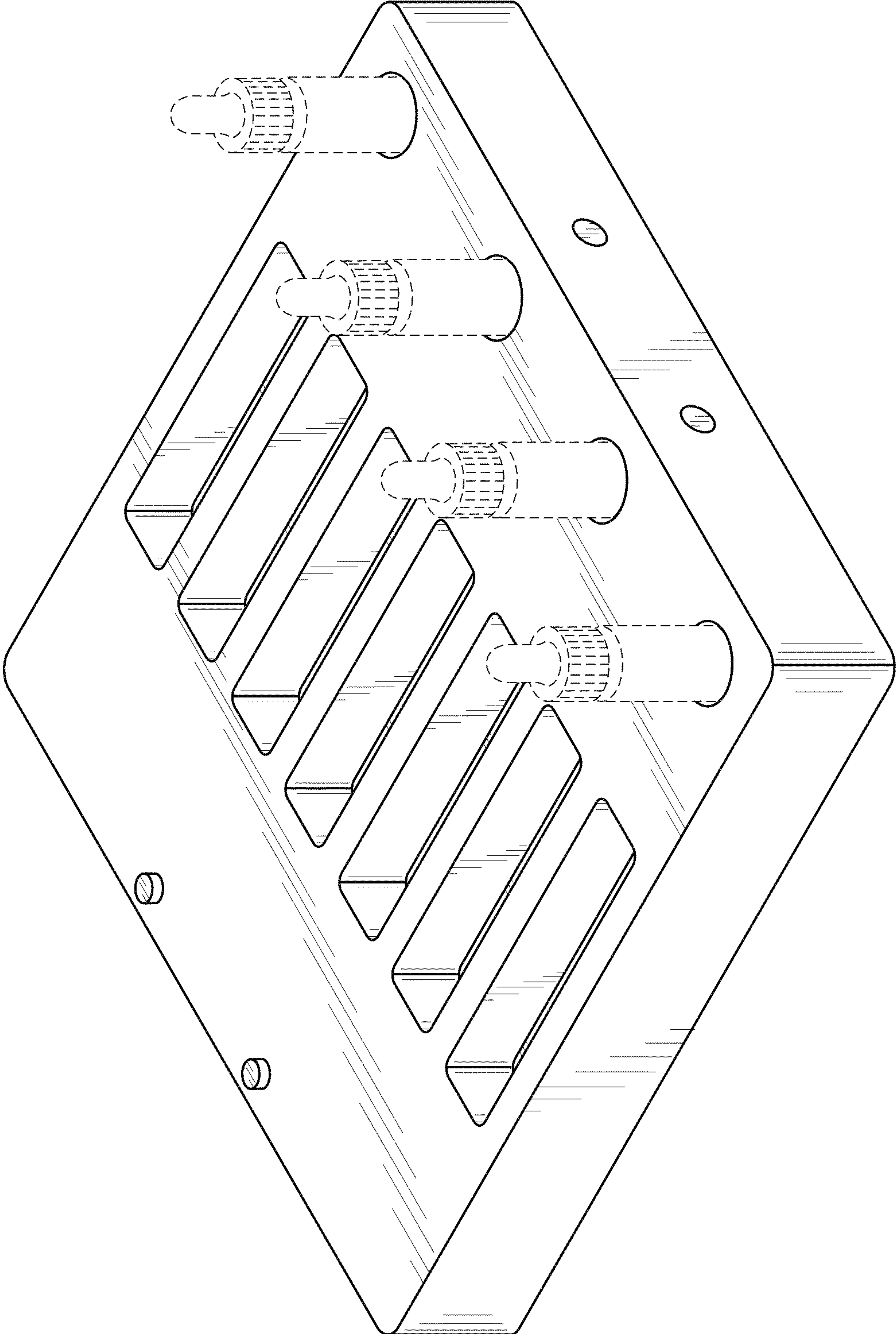


FIG. 11