



US00D839475S

(12) **United States Design Patent**
Miro et al.

(10) **Patent No.:** **US D839,475 S**
(45) **Date of Patent:** **** Jan. 29, 2019**

- (54) **RECESSED LAMP COMPONENT**
- (71) Applicant: **SIMON S.A.**, Barcelona (ES)
- (72) Inventors: **Salvi Plaja Miro**, Barcelona (ES);
Adria Rique Rebull, Barcelona (ES);
Clara Batiste Mayas, Barcelona (ES);
Marta Portillo Lainez, Barcelona (ES);
Francesc Jordana Casamitjana,
Barcelona (ES); **Ricard Llimos Sala**,
Barcelona (ES)
- (73) Assignee: **Simon S.A.**, Barcelona (ES)
- (**) Term: **15 Years**
- (21) Appl. No.: **29/655,605**
- (22) Filed: **Jul. 5, 2018**

(58) **Field of Classification Search**
USPC D26/72, 74, 80, 81, 86, 138, 141, 149,
D26/152
CPC F21S 8/03; F21S 8/02
See application file for complete search history.

(56) **References Cited**

U.S. PATENT DOCUMENTS

D47,903 S * 9/1915 Strong D23/411
8,920,005 B2 * 12/2014 Ahn F21V 29/2293
362/373

* cited by examiner

Primary Examiner — Robert M. Spear
(74) *Attorney, Agent, or Firm* — Thedford I. Hitaffer;
Hitaffer & Hitaffer, PLLC

(57) **CLAIM**

The ornamental design for a recessed lamp component, as shown and described.

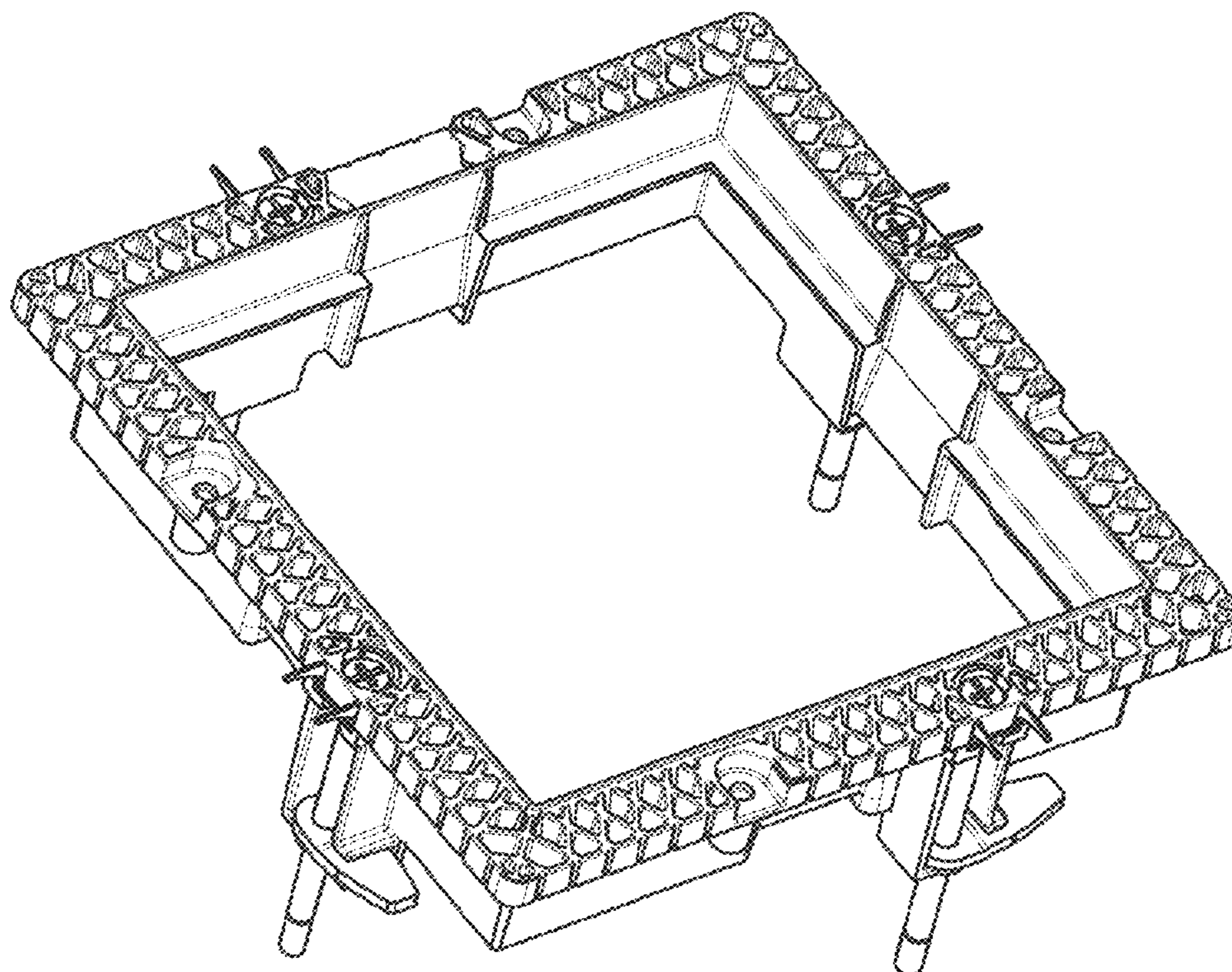
DESCRIPTION

FIG. 1 is a side view of a recessed lamp component,
FIG. 2 is a side perspective view thereof,
FIG. 3 is a front view thereof,
FIG. 4 is a rear perspective view thereof,
FIG. 5 is a rear view thereof; and,
FIG. 6 is a front perspective view thereof.

1 Claim, 5 Drawing Sheets

Related U.S. Application Data

- (62) Division of application No. 35/503,082 (U.S. filing date under 35 U.S.C. 384), and having an international filing date of Mar. 2, 2017.
- (51) **LOC (11) Cl.** **26-99**
- (52) **U.S. Cl.**
USPC **D26/152**



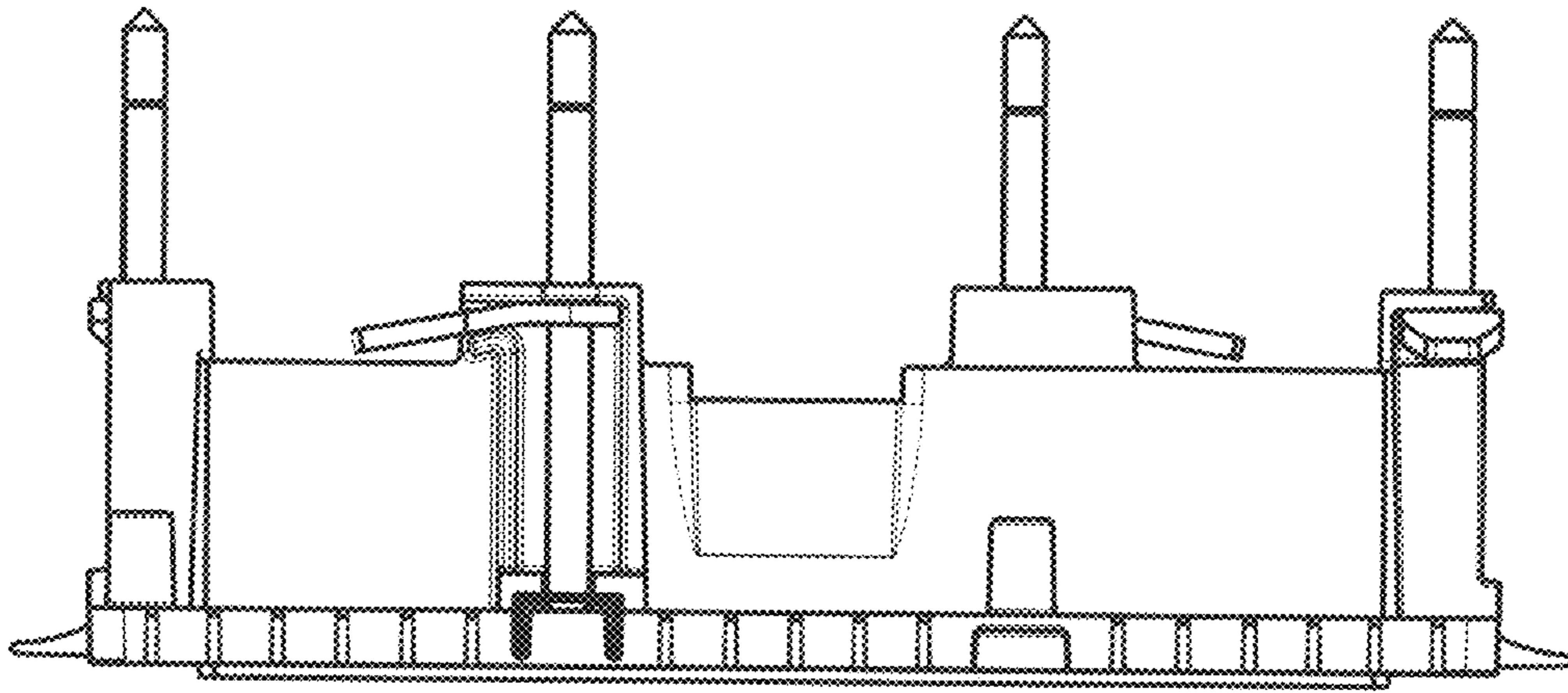


Fig. 1

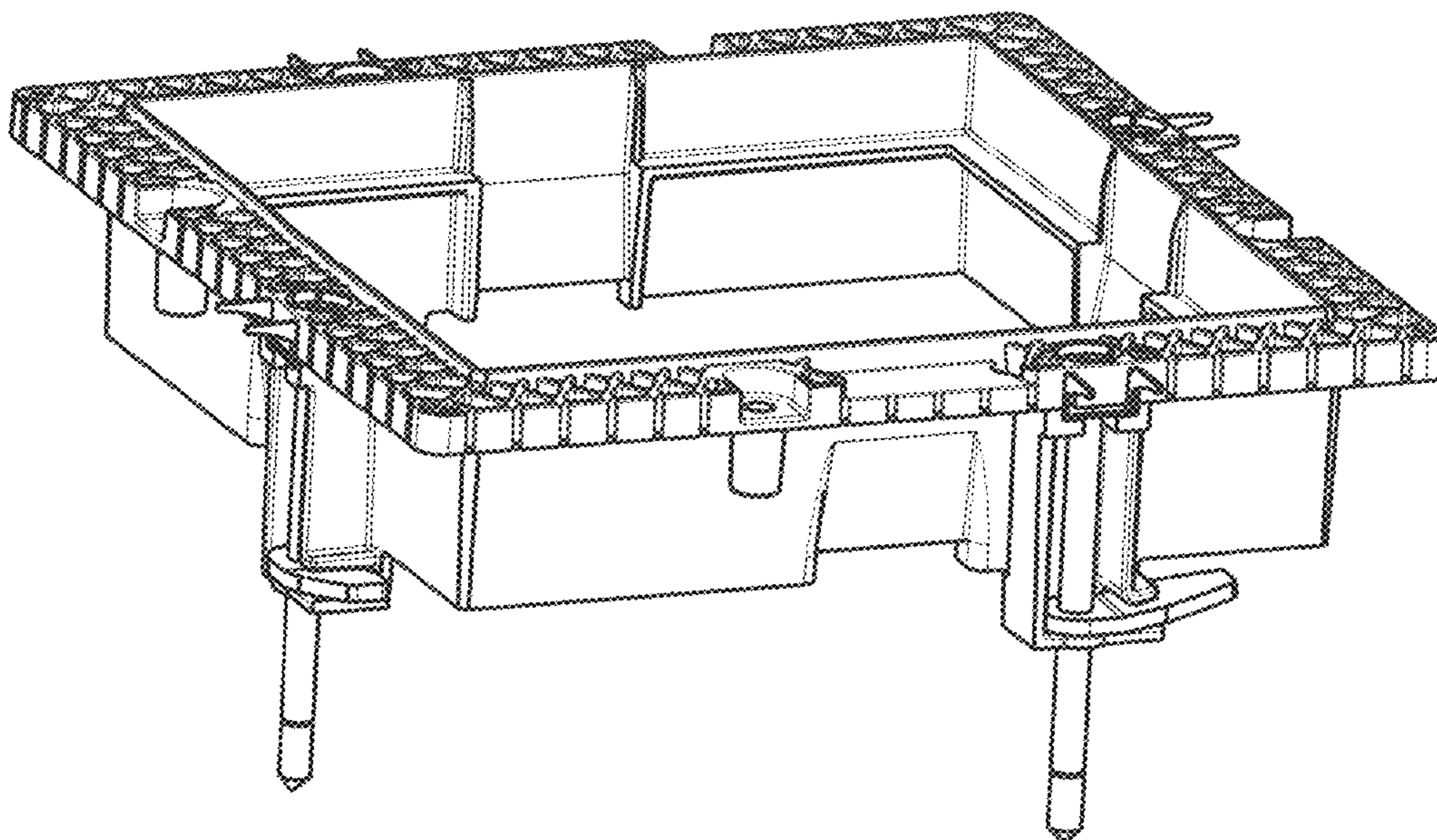


Fig. 2

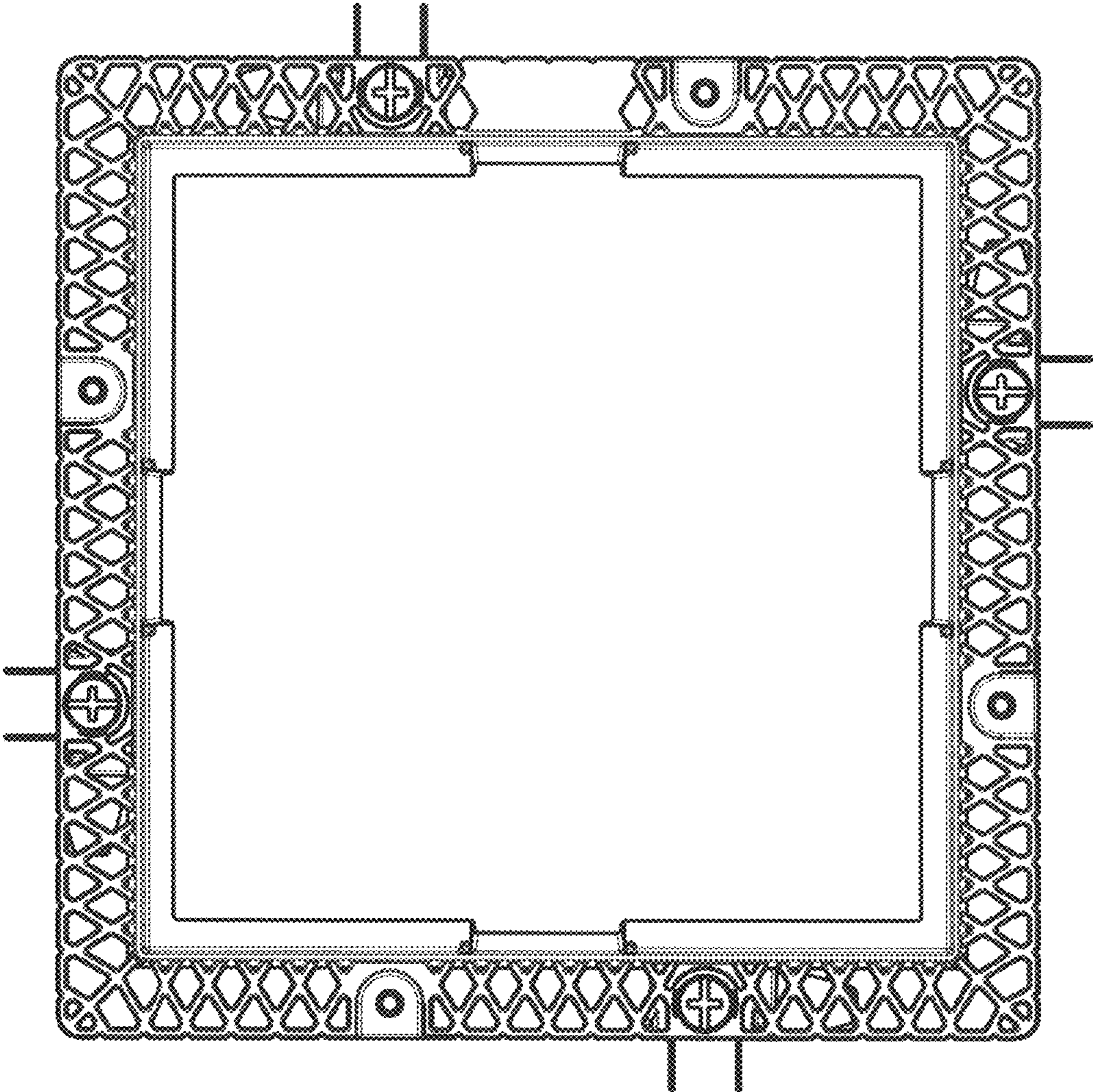


Fig. 3

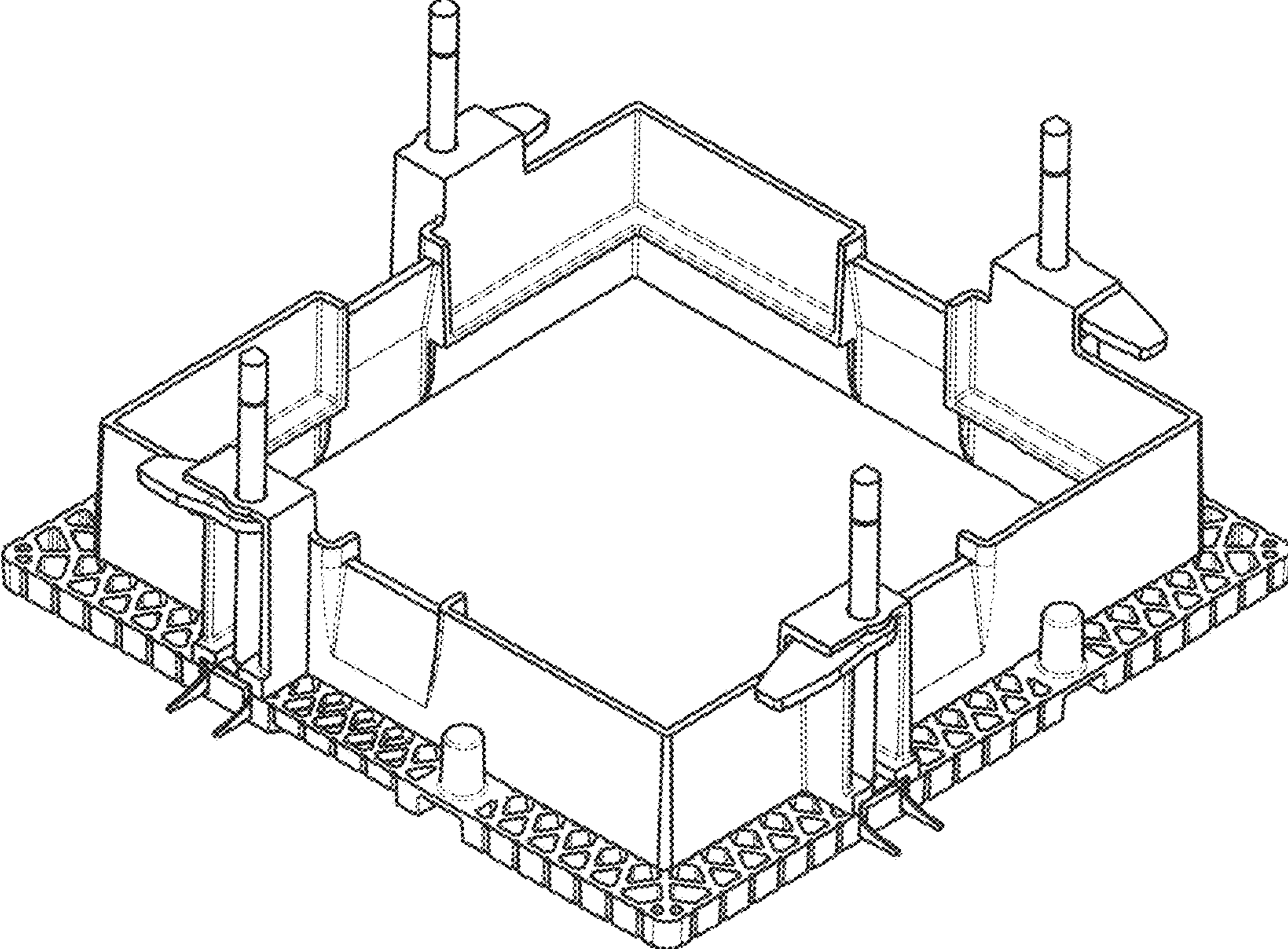


Fig. 4

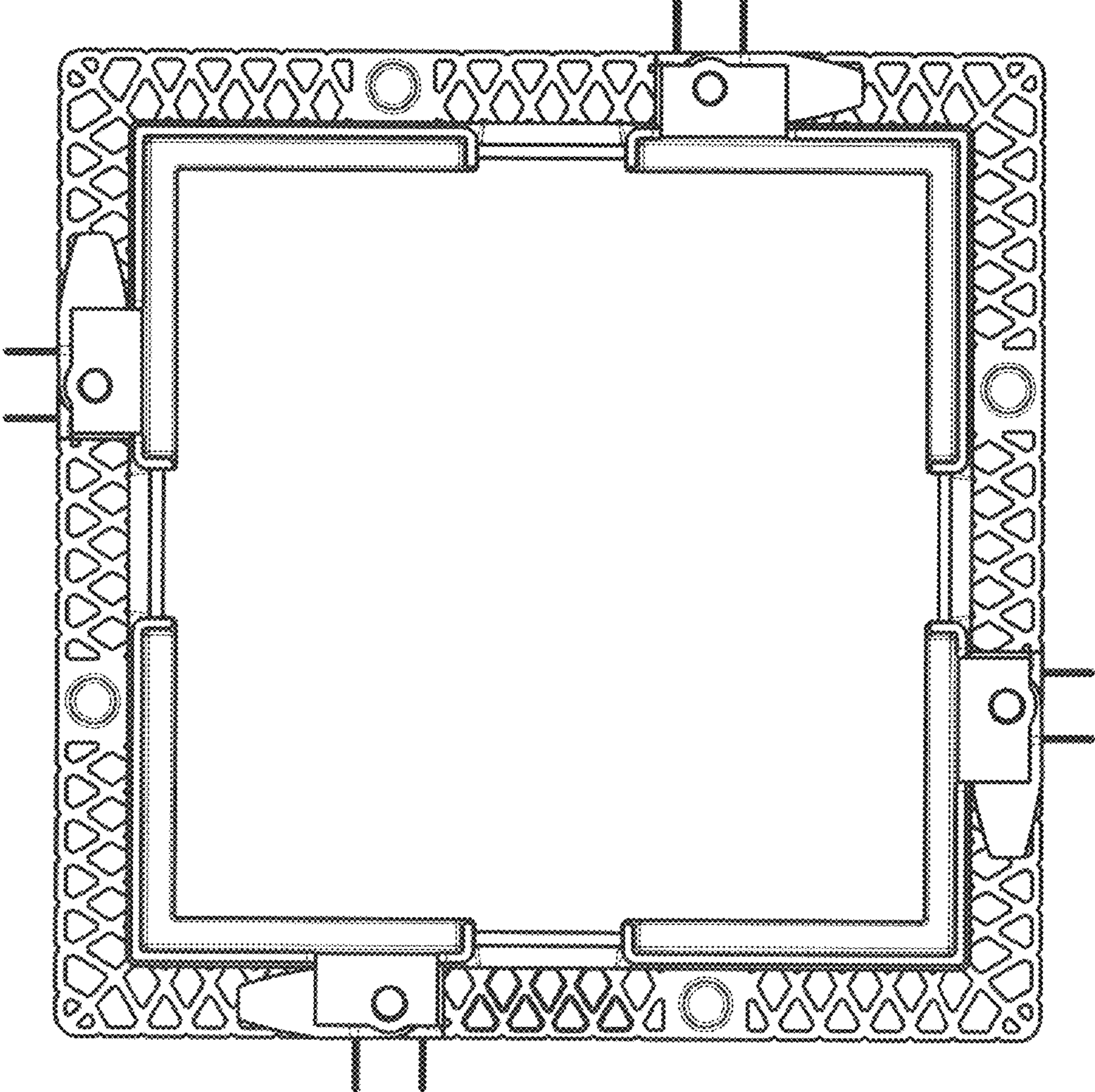


Fig. 5

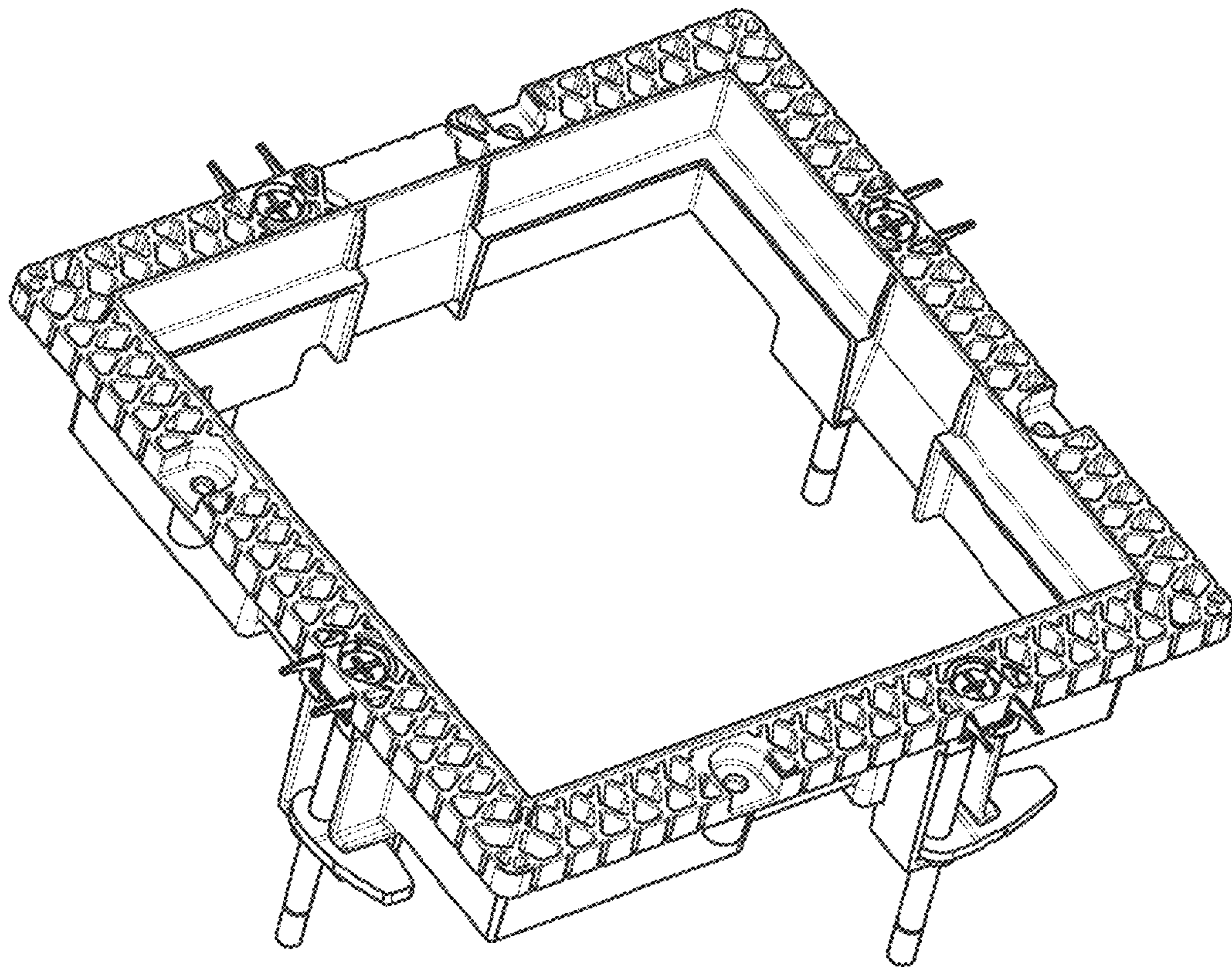


Fig. 6