



US00D839474S

(12) **United States Design Patent** (10) **Patent No.:** **US D839,474 S**  
**Guillaume** (45) **Date of Patent:** **\*\* Jan. 29, 2019**

(54) **LIGHTING FIXTURE**

(71) Applicant: **FINATECH ENTREPRISES**, Riom (FR)

(72) Inventor: **Hervé Guillaume**, Chamalieres (FR)

(73) Assignee: **FINATECH ENTREPRISES**, Riom (FR)

(\*\*) Term: **15 Years**

(21) Appl. No.: **35/503,999**

(22) Filed: **Nov. 9, 2017**

(80) **Hague Agreement Data**

Int. Filing Date: **Nov. 9, 2017**

Int. Reg. No.: **DM/098442**

Int. Reg. Date: **Nov. 9, 2017**

Int. Reg. Pub. Date: **Nov. 24, 2017**

(30) **Foreign Application Priority Data**

May 9, 2017 (EM) ..... 003992726-0001

(51) **LOC (11) Cl.** ..... **26-05**

(52) **U.S. Cl.**  
USPC ..... **D26/142**

(58) **Field of Classification Search**

USPC ... D26/3, 28, 76, 78, 79, 80, 81, 82, 83, 85,  
D26/86, 88, 90, 93, 111, 113, 118, 119,  
D26/120, 121, 122, 138, 139, 140, 141,  
D26/142, 152

CPC ..... F21S 2/00; F21S 4/00; F21S 4/003; F21S  
4/005; F21S 4/006; F21S 4/007; F21S  
4/008; F21S 6/00; F21S 8/00; F21S  
8/024; F21S 8/026; F21S 8/031; F21S  
8/033; F21S 8/035-8/037; F21S 8/04;  
F21S 8/043; F21S 8/063

See application file for complete search history.

(56) **References Cited**

U.S. PATENT DOCUMENTS

D252,832 S *	9/1979	Bowser .....	D26/85
D459,515 S *	6/2002	Gaskins .....	D26/67
D475,801 S *	6/2003	Stewart .....	D26/67
D544,618 S *	6/2007	Coushaine .....	D26/37
D556,938 S *	12/2007	Russello .....	D26/89
D576,338 S *	9/2008	Levine .....	D26/85
D628,739 S *	12/2010	Lu .....	D26/113
D642,722 S *	8/2011	Oberpriller .....	D26/67
D680,673 S *	4/2013	Levine .....	D26/60
D683,064 S *	5/2013	Tuck .....	D26/118
D710,050 S *	7/2014	Haws .....	D26/142
D713,093 S *	9/2014	Sun .....	D26/142
D757,991 S *	5/2016	Intelisano .....	D26/118
D758,636 S *	6/2016	Breedlove, Sr. ....	D26/67
D761,486 S *	7/2016	Afshar .....	D26/121
D773,717 S *	12/2016	Amato .....	D26/89
D788,361 S *	5/2017	Reynolds .....	D26/142
D825,833 S *	8/2018	Rotenberg .....	D26/142

\* cited by examiner

*Primary Examiner* — George D. Kirschbaum

*Assistant Examiner* — Natasha Vujcic

(74) *Attorney, Agent, or Firm* — Stephen J. Weyer, Esq.;  
Stites & Harbison, PLLC

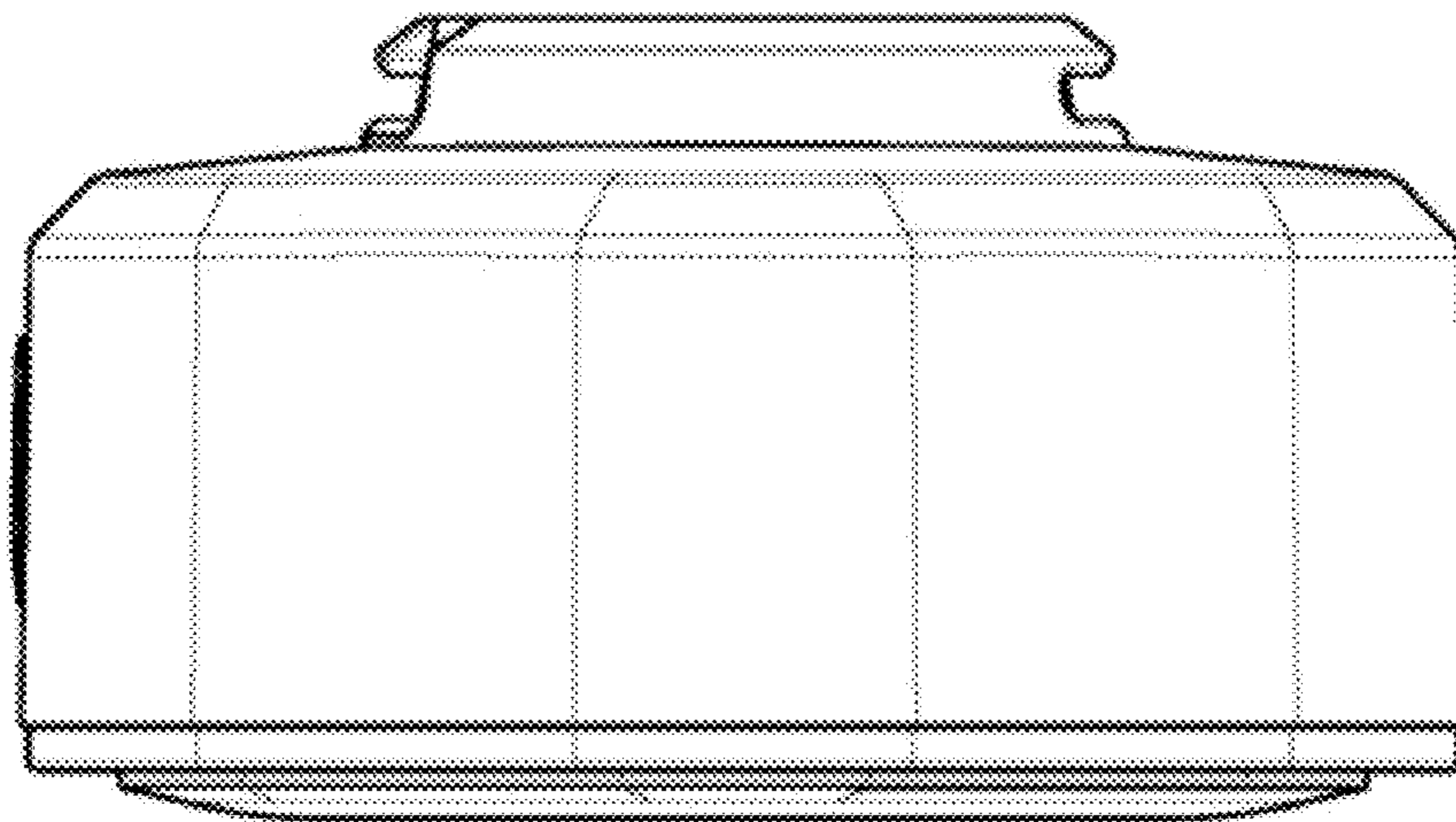
(57) **CLAIM**

The ornamental design for a lighting fixture, as shown and described.

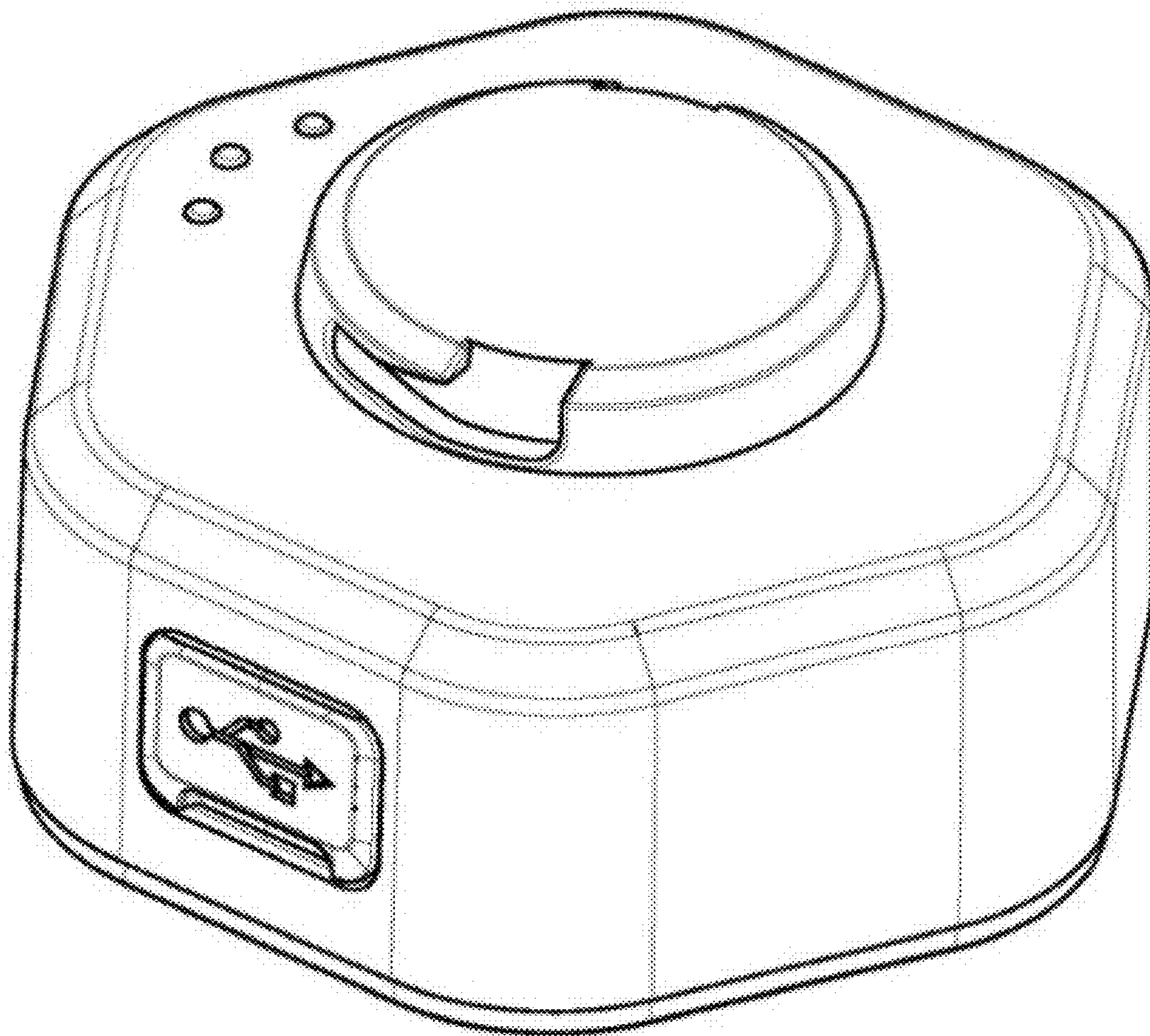
**DESCRIPTION**

- 1. Lighting fixture
- 1.1 : Perspective
- 1.2 : Front
- 1.3 : Back
- 1.4 : Left
- 1.5 : Right
- 1.6 : Top
- 1.7 : Bottom

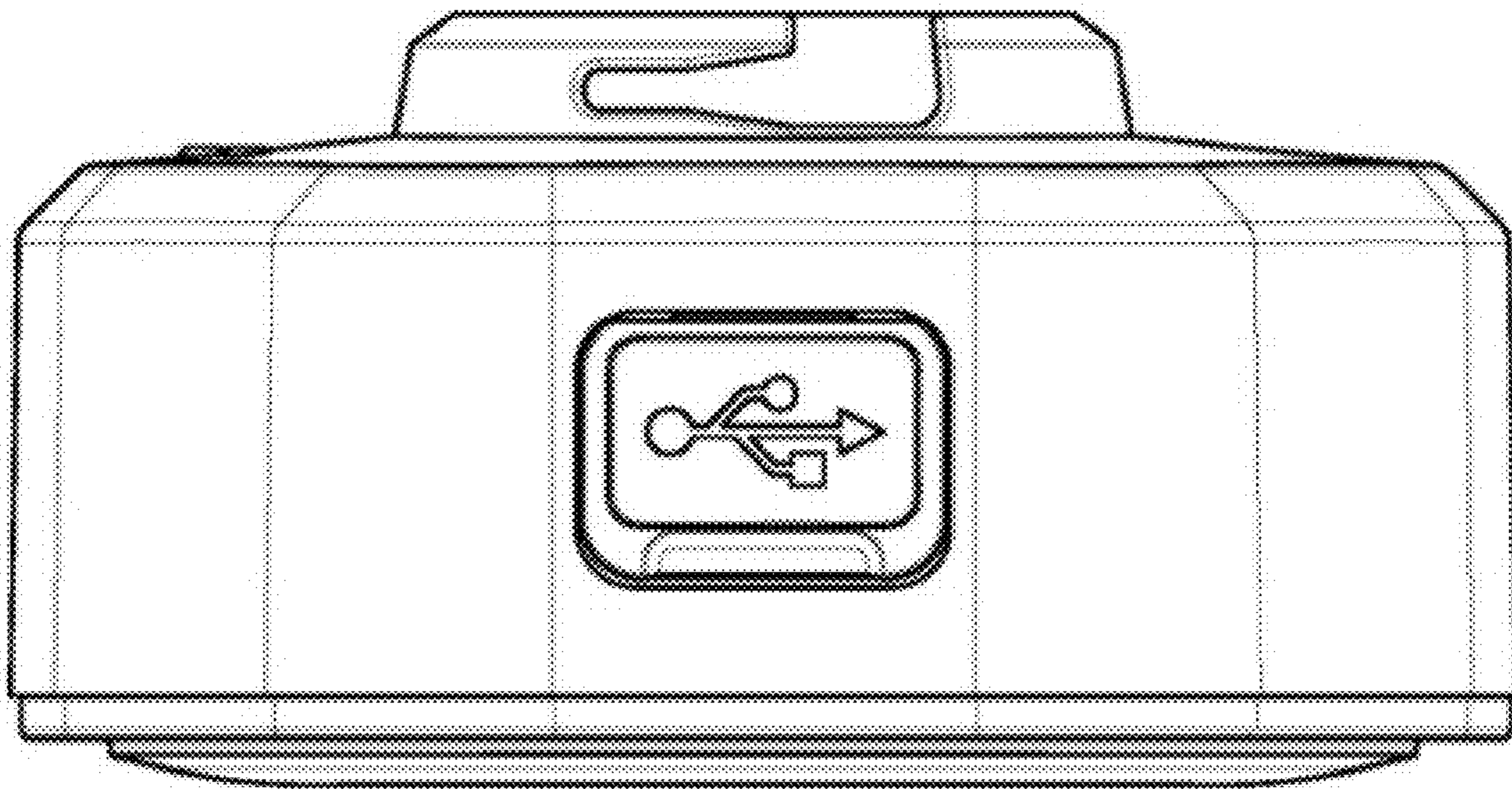
**1 Claim, 7 Drawing Sheets**



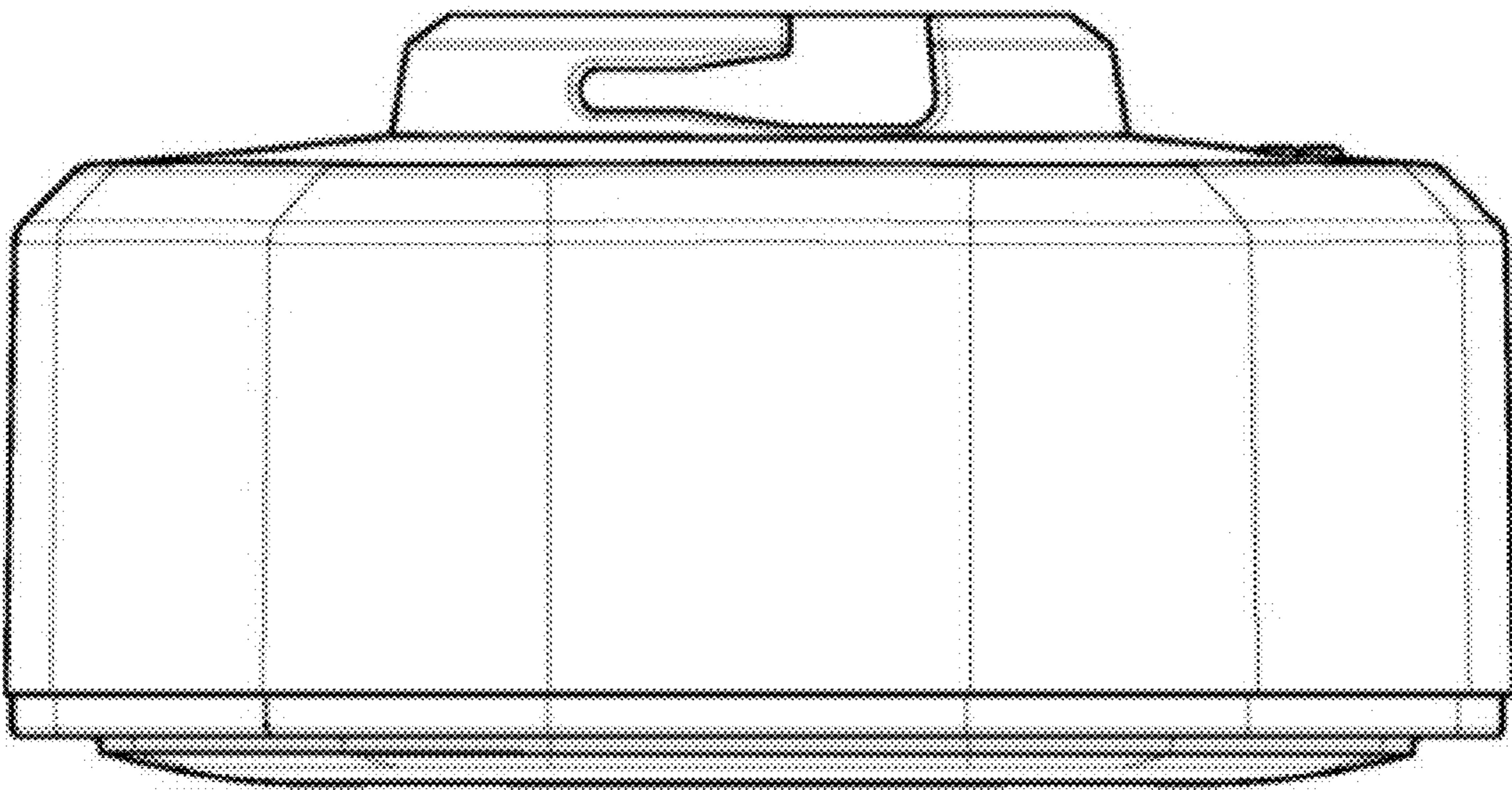
**1.1**



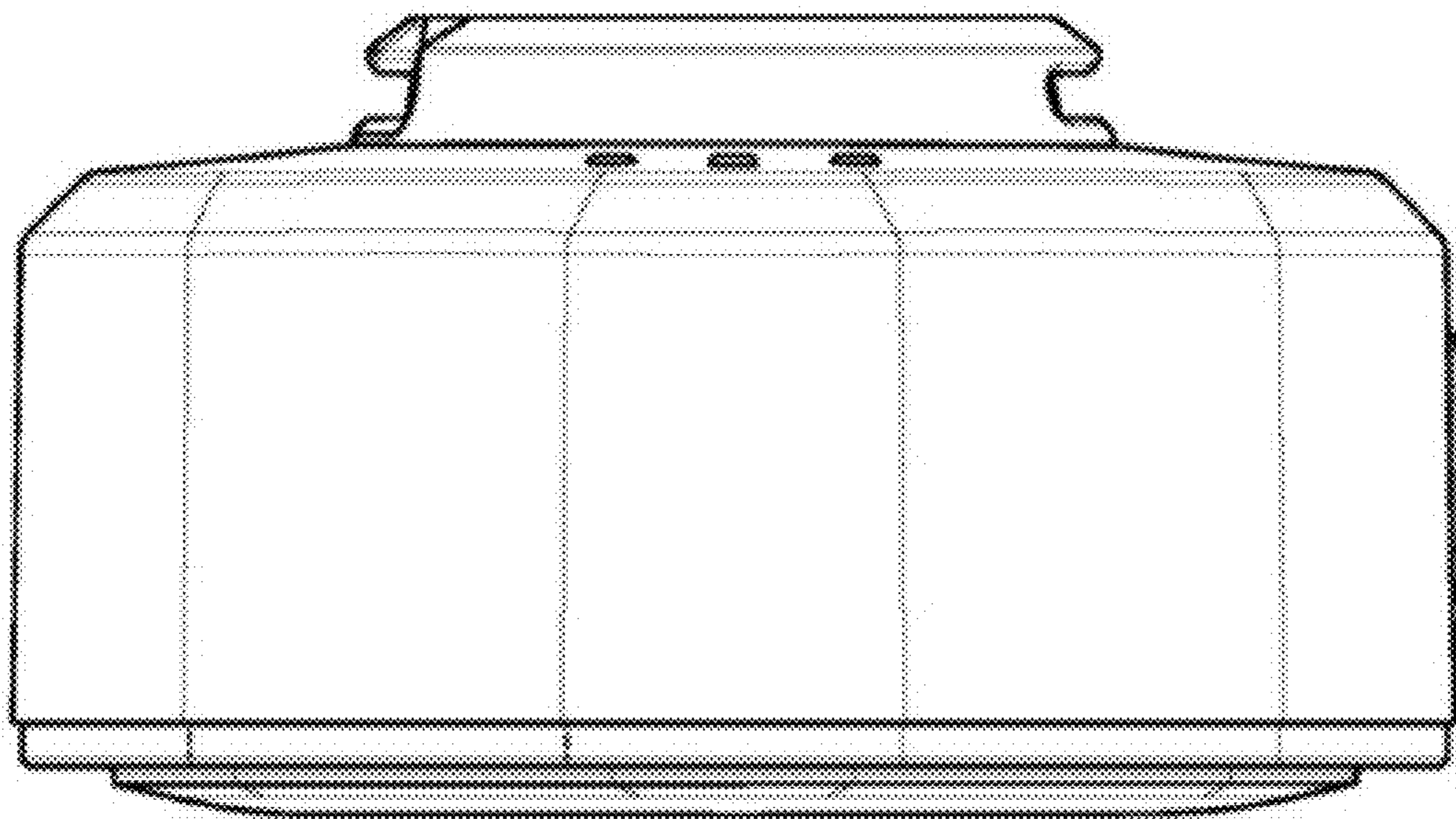
1.2



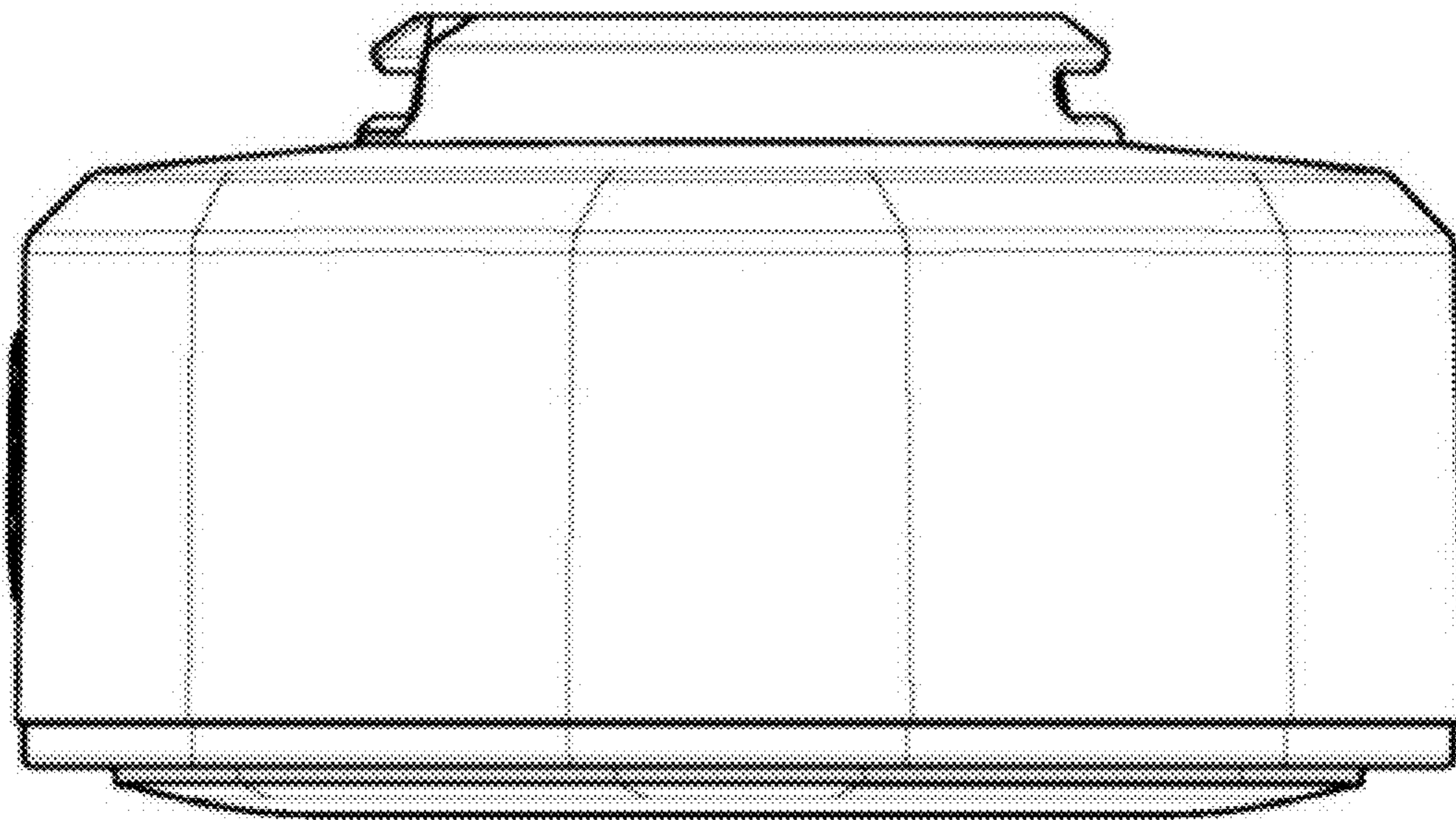
**1.3**



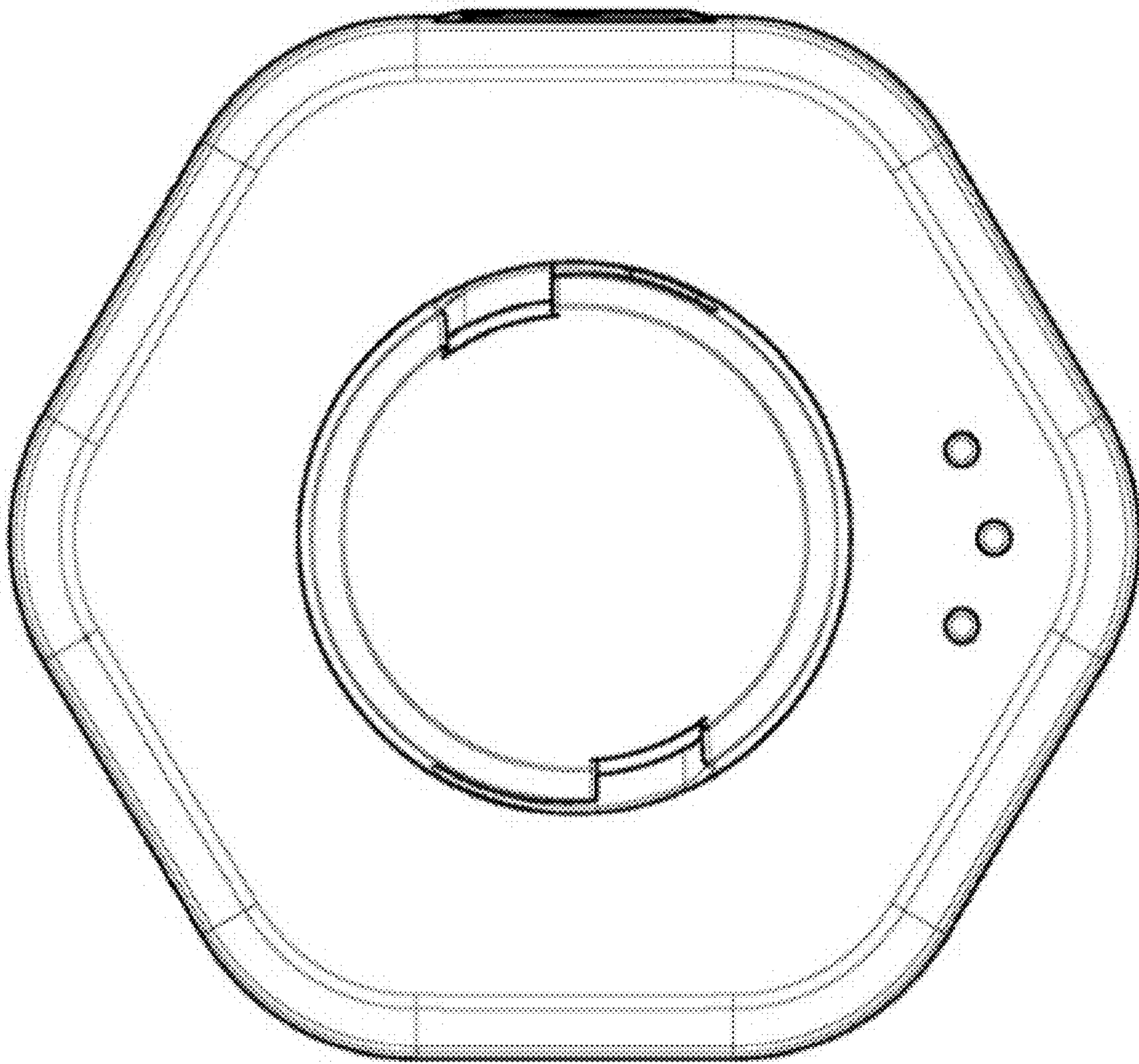
1.4



**1.5**



1.6



1.7

