

US00D839473S

(12) **United States Design Patent** (10) **Patent No.:** **US D839,473 S**  
**Dai** (45) **Date of Patent:** **\*\* Jan. 29, 2019**

(54) **SMART LAMP HOLDER**

(71) Applicant: **Jilei Dai**, Dongguan (CN)

(72) Inventor: **Jilei Dai**, Dongguan (CN)

(73) Assignee: **Dongguan Xiangshang Smart Technology Co., Ltd.**, Zhongji Valley, Songshan Lake, Dongguan, Guangdong (CN)

(\*\*) Term: **15 Years**

(21) Appl. No.: **29/631,158**

(22) Filed: **Dec. 28, 2017**

(51) **LOC (11) Cl.** ..... **26-05**

(52) **U.S. Cl.**  
USPC ..... **D26/138**

(58) **Field of Classification Search**  
USPC .... D26/138, 142, 155, 60, 152, 154, 74, 75,  
D26/76-86, 88, 90, 113, 118  
CPC ..... F21S 2/00; F21S 4/00; F21S 4/003; F21S  
4/005; F21S 4/006; F21S 6/00; F21S  
8/00; F21S 8/024  
See application file for complete search history.

(56) **References Cited**

**U.S. PATENT DOCUMENTS**

4,520,436 A \* 5/1985 McNair ..... F21S 8/02  
313/113  
D290,756 S \* 7/1987 Fujitaki ..... D26/26

D320,862 S \* 10/1991 Moeller ..... D26/24  
D376,667 S \* 12/1996 Lucluze ..... D26/119  
D431,307 S \* 9/2000 Zelina, Jr. .... D26/24  
D571,945 S \* 6/2008 Starck ..... D26/88  
D601,295 S \* 9/2009 Brown ..... D26/118  
D674,534 S \* 1/2013 Harpenau ..... D26/138  
D678,584 S \* 3/2013 Schmitt ..... D26/74  
D690,049 S \* 9/2013 Rashidi ..... D26/74  
D691,761 S \* 10/2013 Pratt ..... D26/74  
D707,877 S \* 6/2014 Turner ..... D26/118  
D723,728 S \* 3/2015 Jeswani ..... D26/74  
D762,907 S \* 8/2016 Jeswani ..... D26/74

\* cited by examiner

*Primary Examiner* — Mark A Goodwin  
*Assistant Examiner* — Benjamin M Weeks

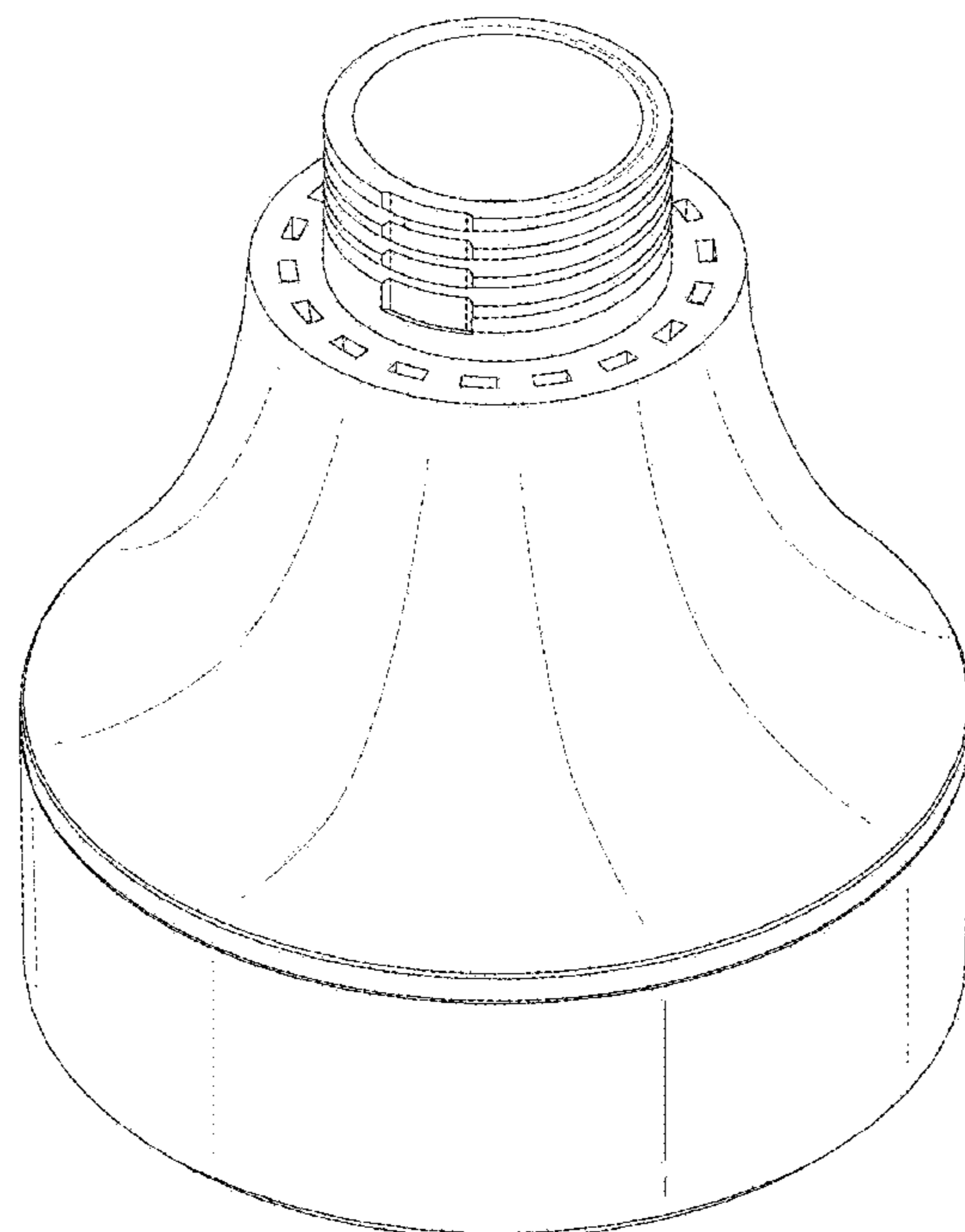
(57) **CLAIM**

The ornamental design for a smart lamp holder, as shown and described.

**DESCRIPTION**

FIG. 1 is a perspective view of a smart lamp holder showing my new design;  
FIG. 2 is a front elevational view thereof;  
FIG. 3 is a rear elevational view thereof;  
FIG. 4 is a left side elevational view thereof;  
FIG. 5 is a right side elevational view thereof;  
FIG. 6 is a top plan view thereof; and,  
FIG. 7 is a bottom plan view thereof.

**1 Claim, 7 Drawing Sheets**



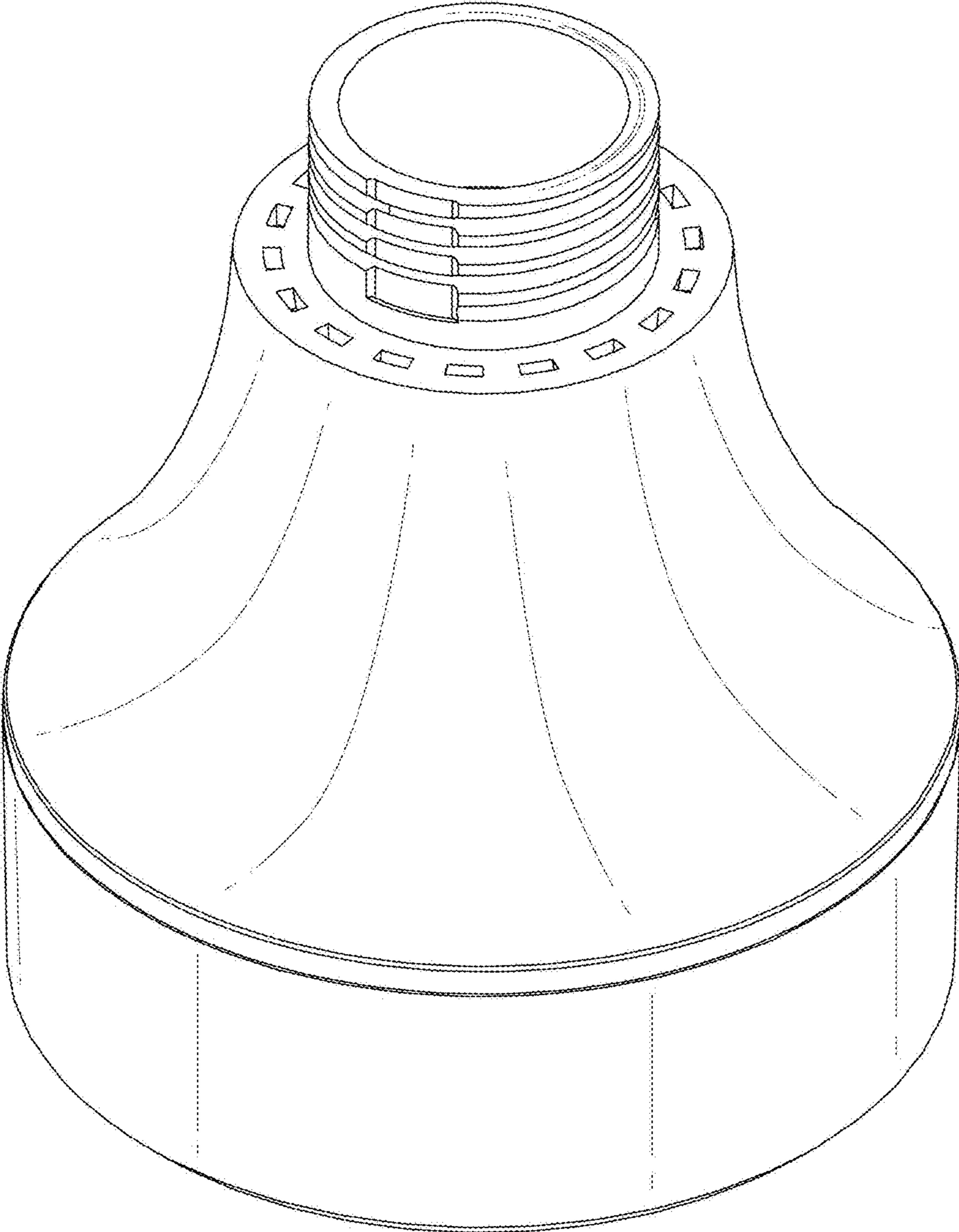


FIG.1

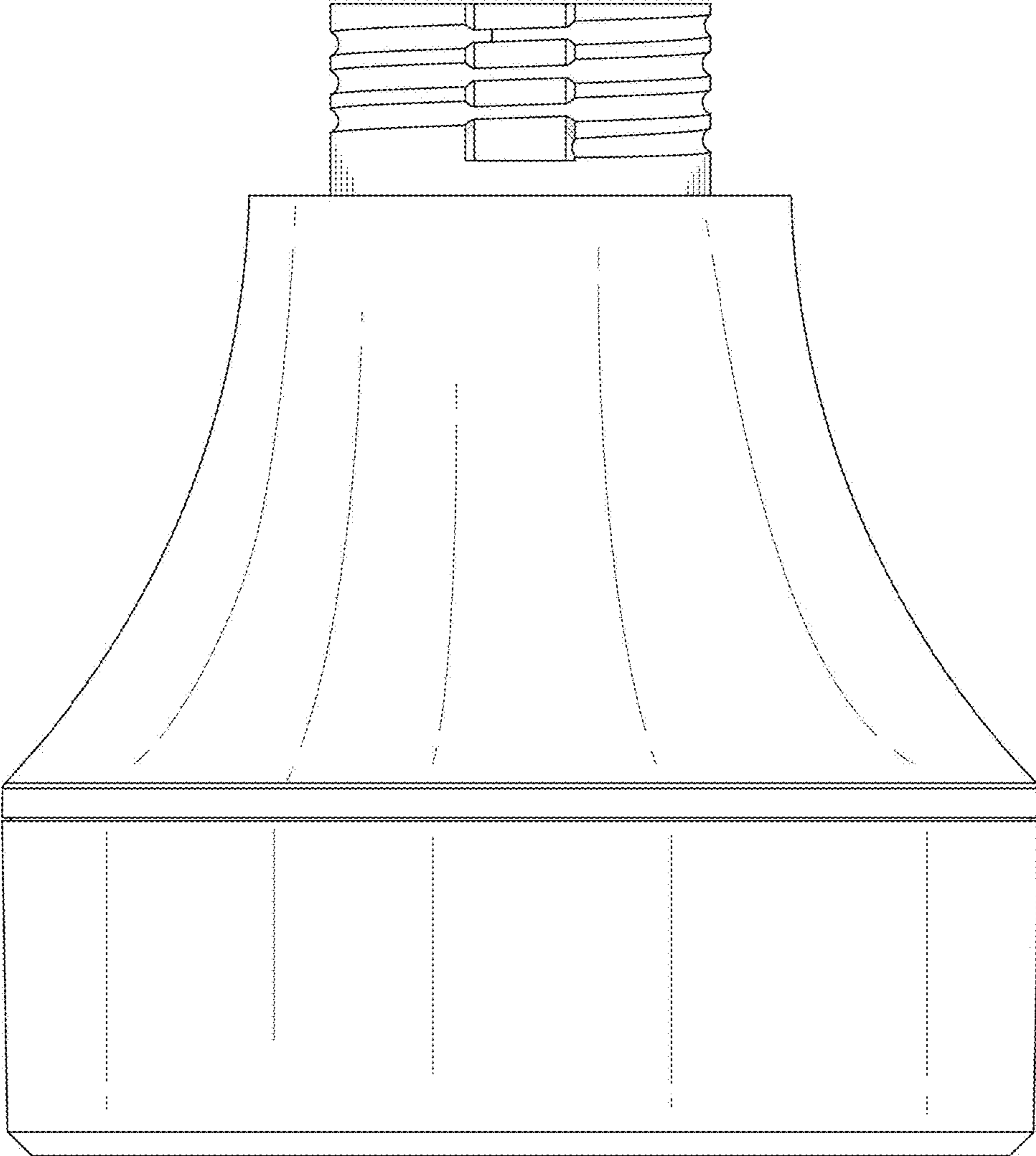


FIG.2

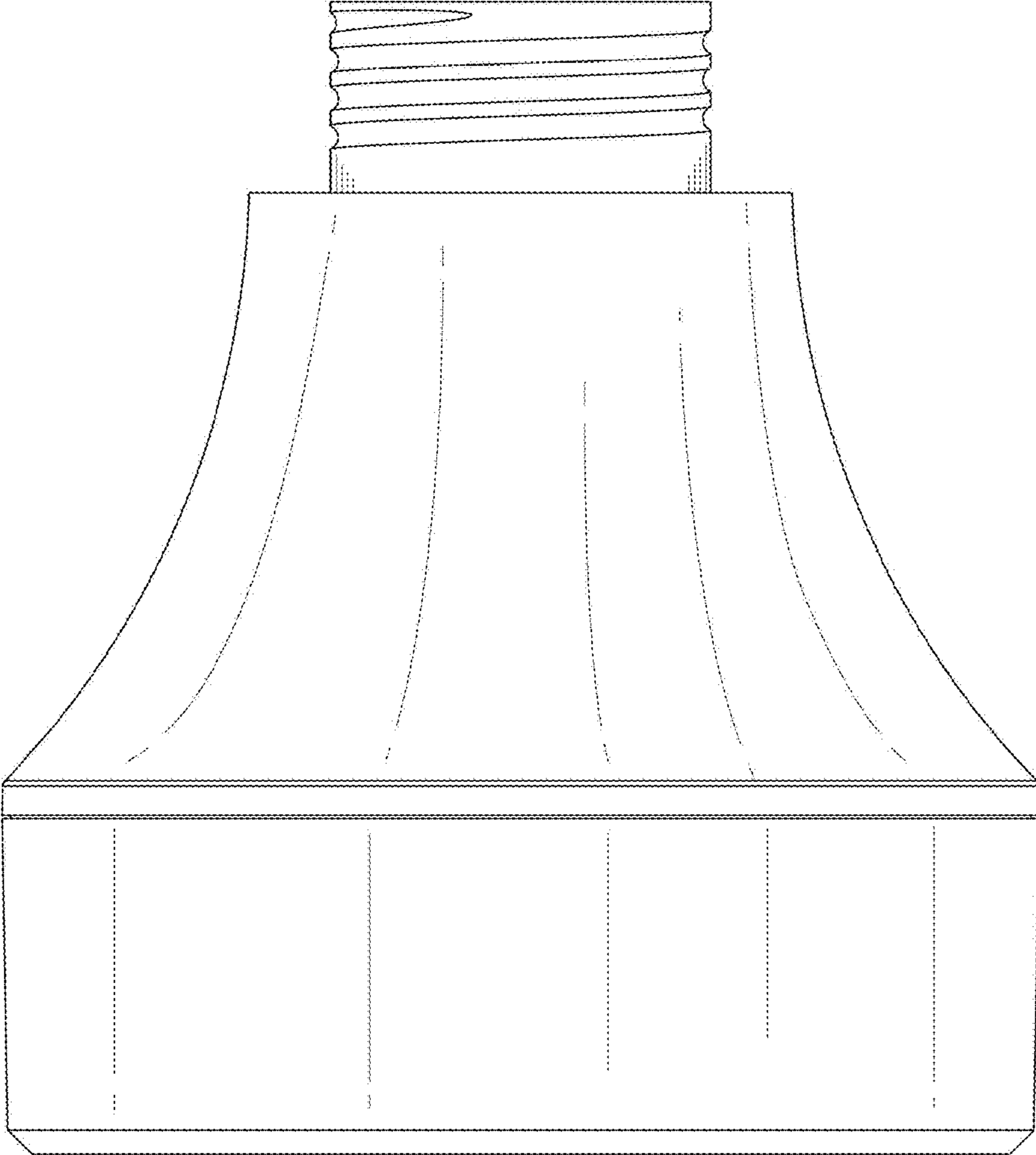


FIG.3

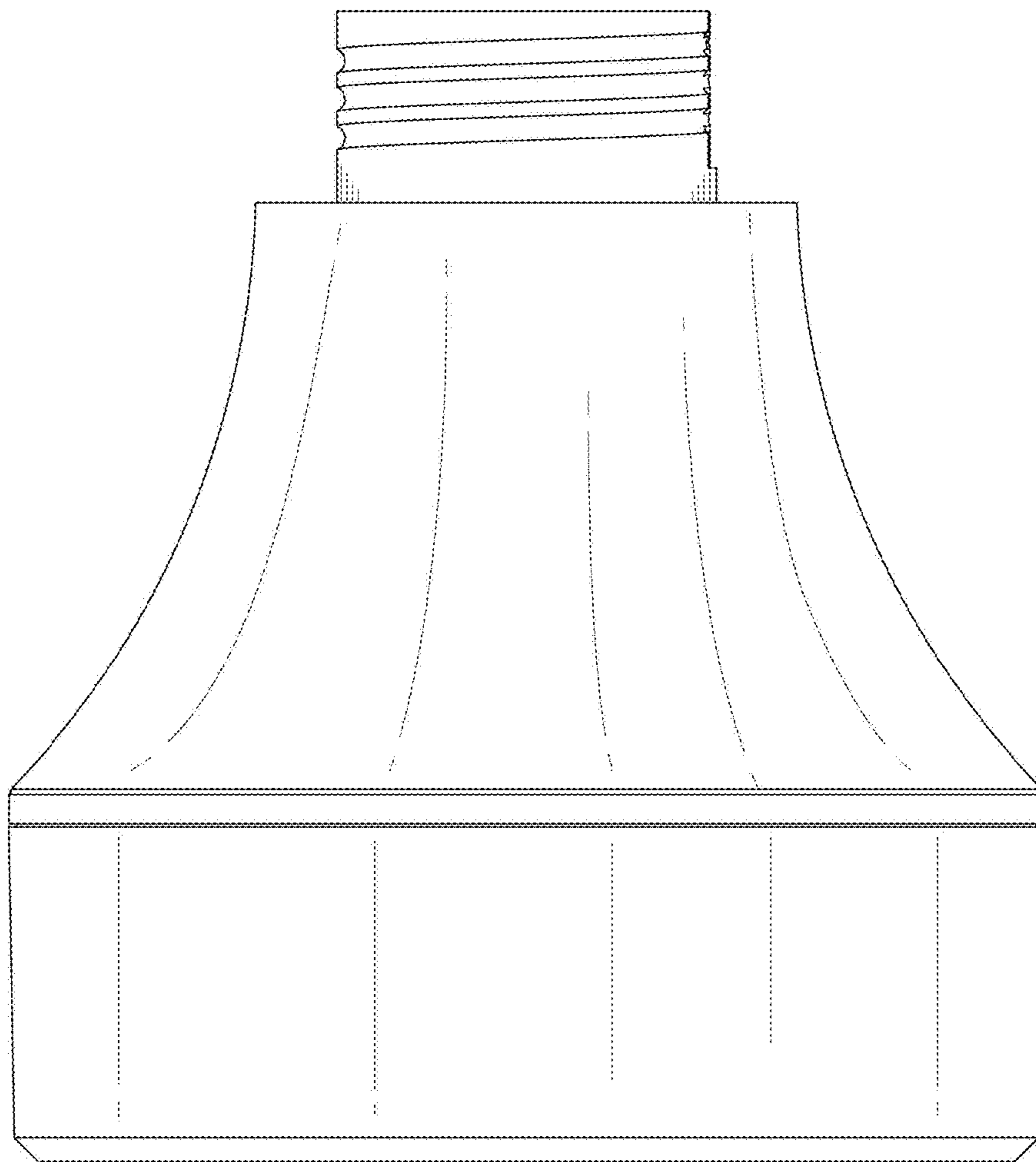


FIG.4

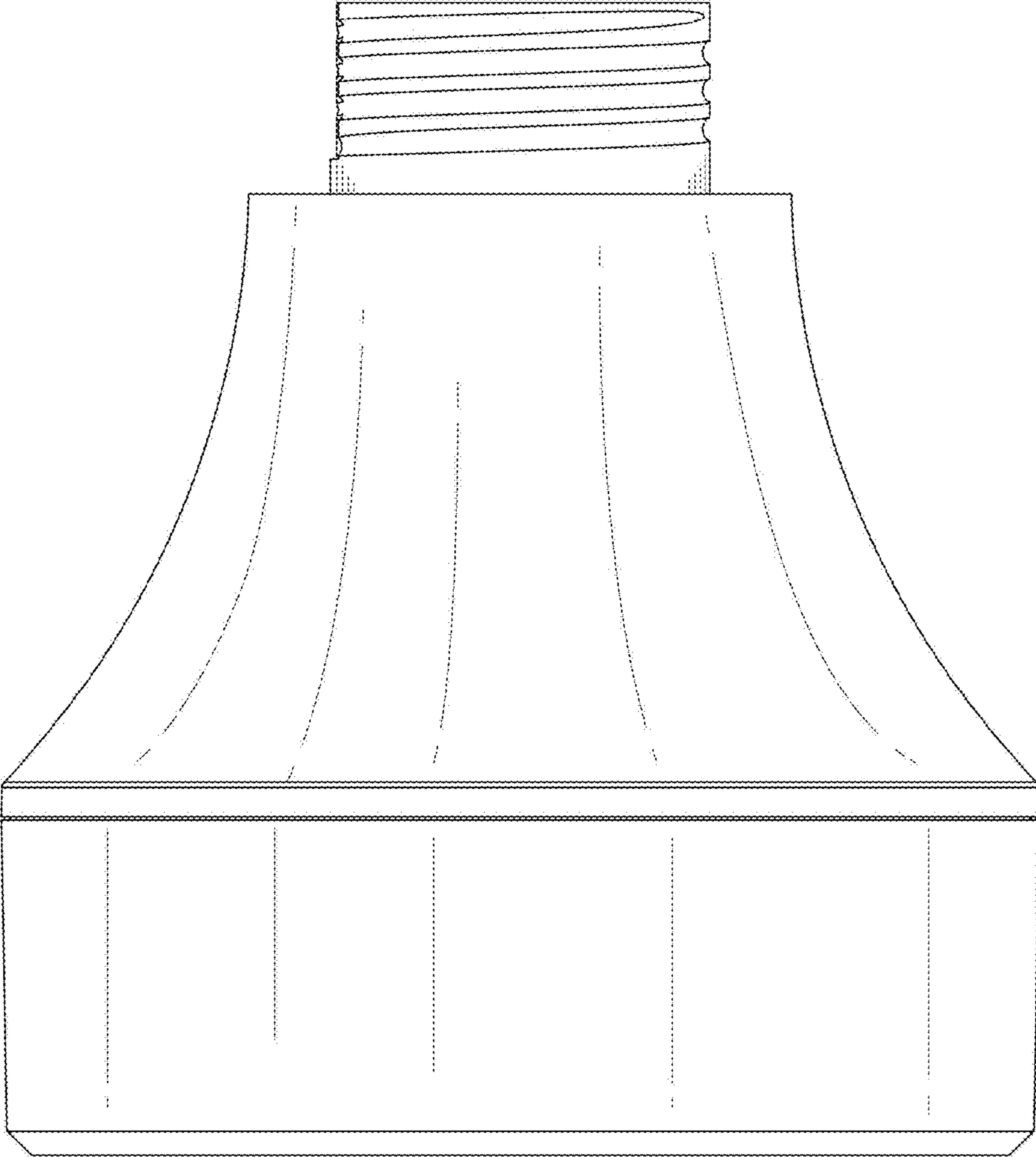


FIG.5

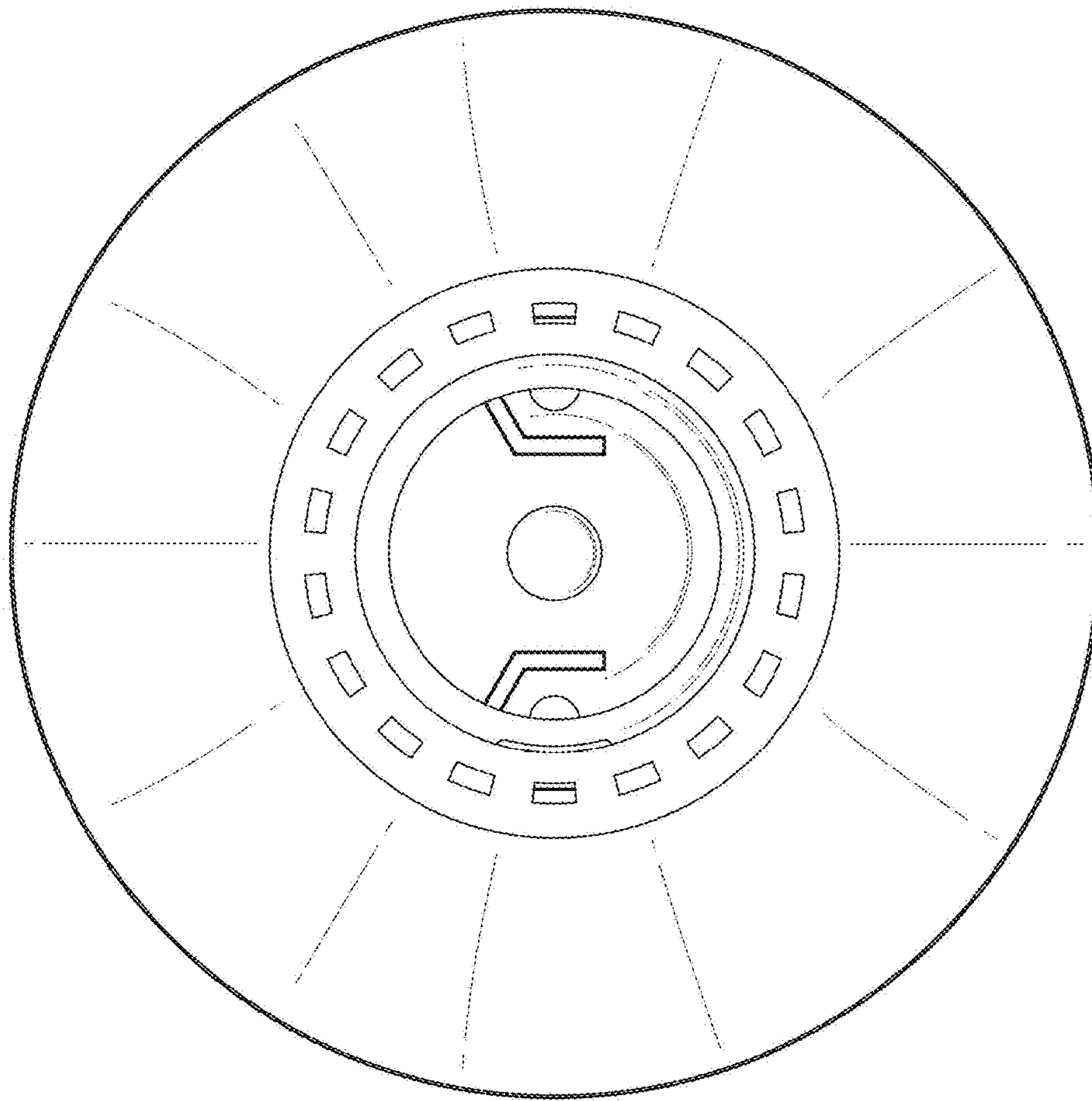


FIG.6

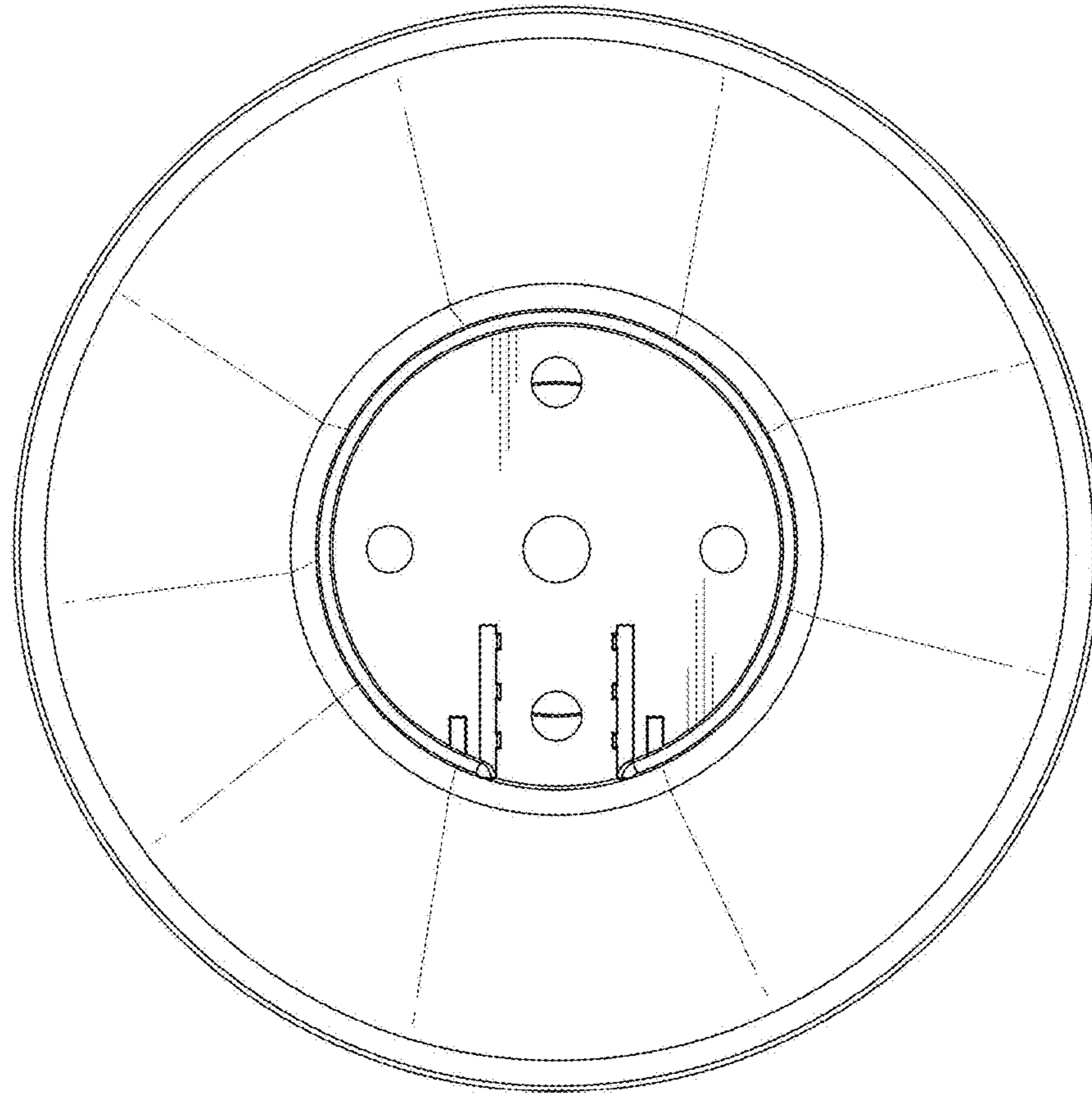


FIG.7