



US00D839472S

(12) **United States Design Patent**
Hu

(10) **Patent No.:** **US D839,472 S**

(45) **Date of Patent:** **** Jan. 29, 2019**

(54) **LAMP**

(71) Applicant: **MPOW TECHNOLOGY CO., LIMITED**, Hong Kong (HK)

(72) Inventor: **Zaihui Hu**, Shenzhen (CN)

(73) Assignee: **MPOW TECHNOLOGY CO., LIMITED**, Hong Kong (HK)

(**) Term: **15 Years**

(21) Appl. No.: **29/664,816**

(22) Filed: **Sep. 27, 2018**

(51) **LOC (11) Cl.** **26-99**

(52) **U.S. Cl.**
USPC **D26/118**; D26/63; D26/67

(58) **Field of Classification Search**
USPC D26/63, 67-71, 118
CPC .. F21S 8/032; F21S 8/081; F21S 8/083; F21S 8/085; F21S 8/086; F21S 8/088; F21S 9/032; F21S 9/035; F21S 9/037; F21V 21/0824; F21W 2111/02; F21W 2111/023; F21W 2131/103; F21W 2131/109
See application file for complete search history.

(56) **References Cited**

U.S. PATENT DOCUMENTS

D233,778 S *	11/1974	Kennedy et al.	D26/63
D233,779 S *	11/1974	Kennedy et al.	D26/63
D328,147 S *	7/1992	Gecchelin	D26/63
D333,529 S *	2/1993	Denison	D26/63
D370,070 S *	5/1996	Kay	D26/63
D561,370 S *	2/2008	Sandell	D26/63
D619,289 S *	7/2010	You	D26/63
D736,443 S *	8/2015	Weyse	D26/63
D739,064 S *	9/2015	Heiner	D26/63
D745,201 S *	12/2015	Lee	D26/63
D778,478 S *	2/2017	Khubani	D26/63

9,562,673 B1 *	2/2017	Khubani	F21V 21/0824
D784,586 S *	4/2017	Gebhard	D26/63
D791,381 S *	7/2017	Chang	D26/63
D791,993 S *	7/2017	Ferlauto	D26/63
D797,342 S *	9/2017	Rousseau	D26/63
D810,342 S *	2/2018	Chen	D26/68
D824,066 S *	7/2018	Khubani	D26/63
2016/0341379 A1 *	11/2016	Hoffman	F21V 21/0824
2018/0283657 A1 *	10/2018	Xiong	F21S 8/081

FOREIGN PATENT DOCUMENTS

EM 004527513-0001 12/2017

* cited by examiner

Primary Examiner — Clare E Heflin

(74) *Attorney, Agent, or Firm* — JCIPRNET

(57) **CLAIM**

The ornamental design for a lamp, as shown and described.

DESCRIPTION

FIG. 1 is a perspective view of a lamp showing my new design;

FIG. 2 is a front view thereof;

FIG. 3 is a rear view thereof;

FIG. 4 is a left side view thereof;

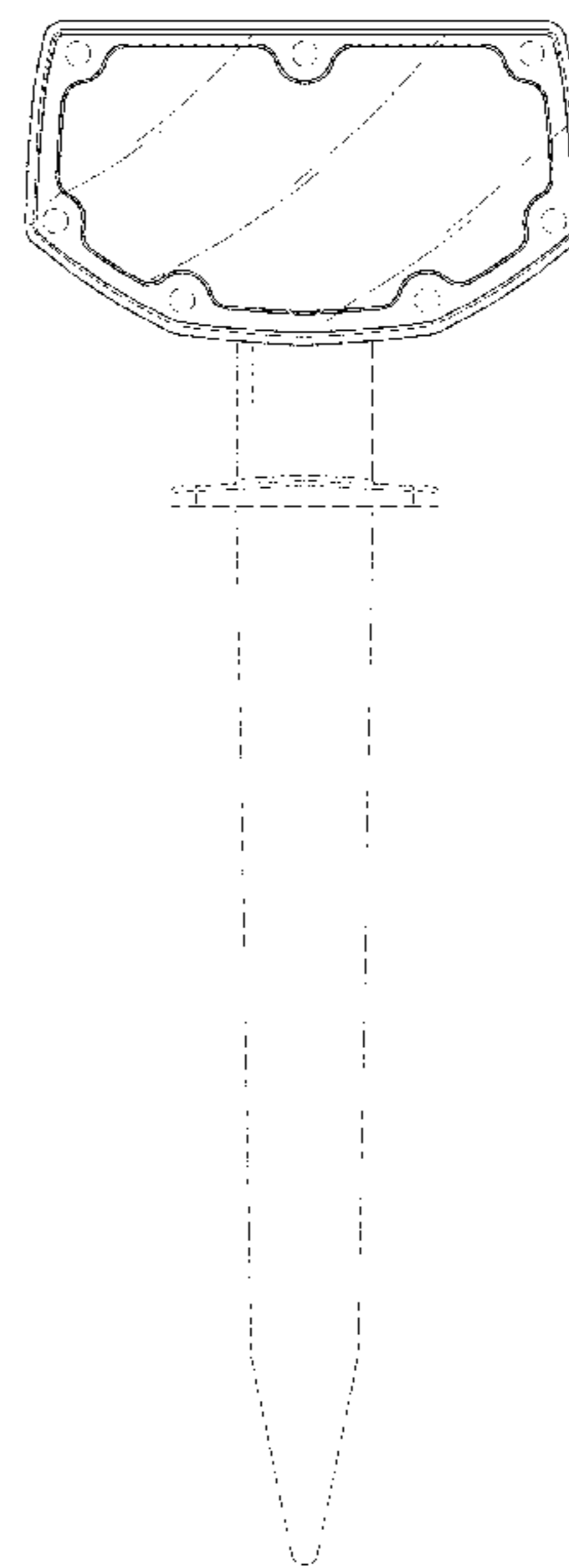
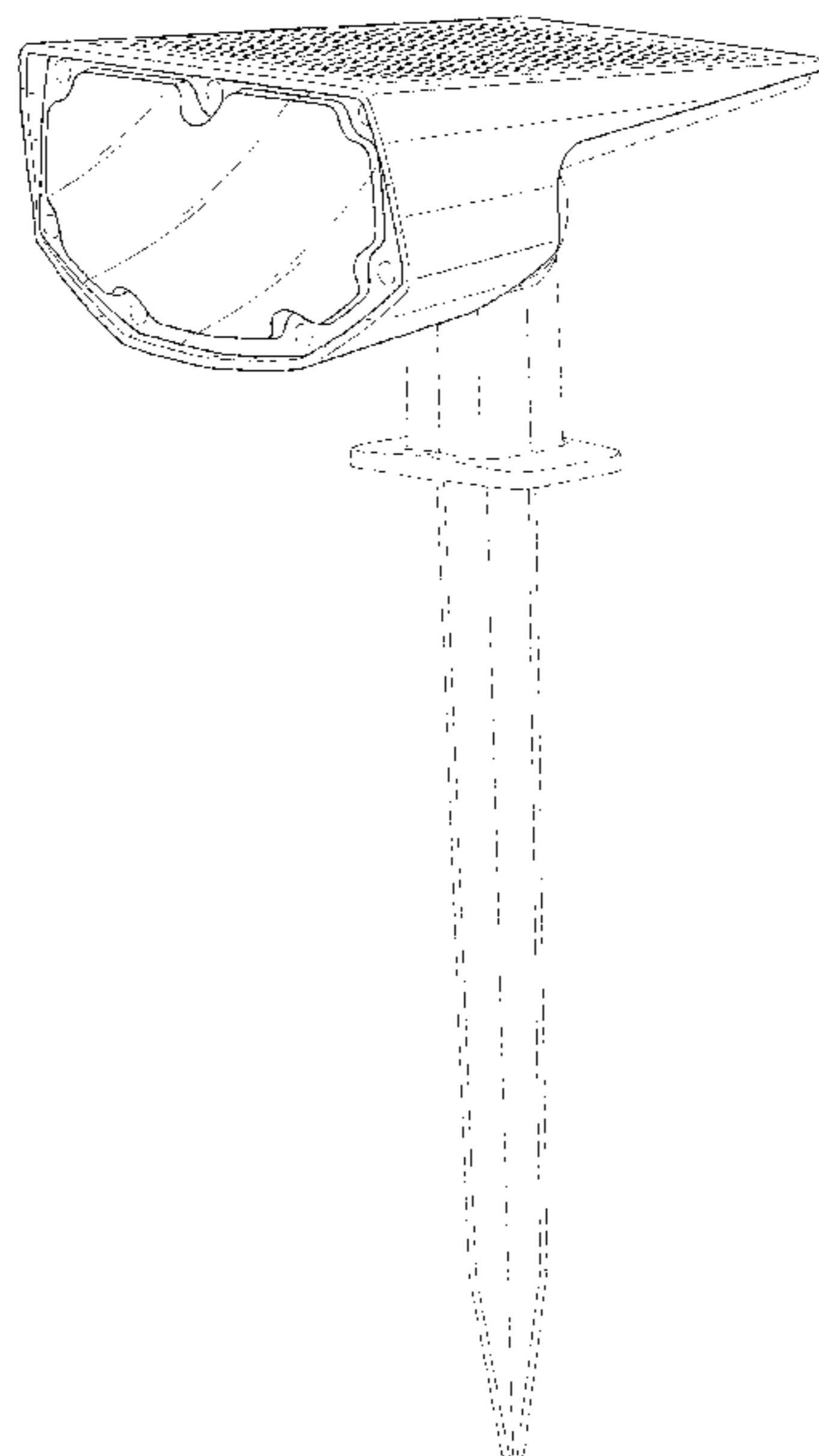
FIG. 5 is a right side view thereof;

FIG. 6 is a top view thereof; and,

FIG. 7 is a bottom view thereof.

The broken lines showing portions of the lamp depict unclaimed portions of the claimed design and form no part of the claimed design. The oblique line shading shown in the drawings indicates a transparent or translucent surface. The portions that would be visible behind the transparent or translucent surface are omitted for a clear disclosure of the surface configuration. No claim is made to any element inside or behind the transparent or translucent surface.

1 Claim, 7 Drawing Sheets



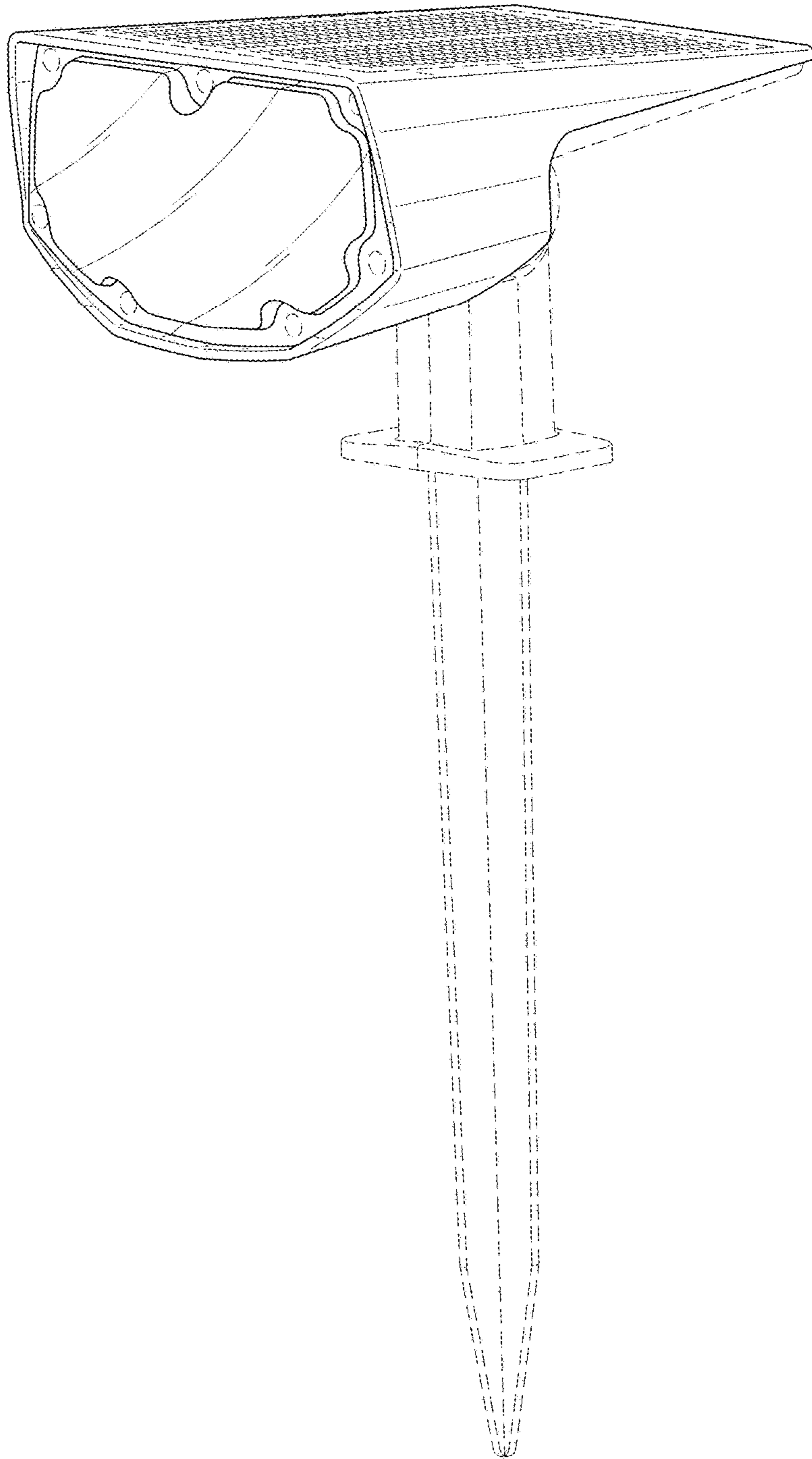


FIG. 1

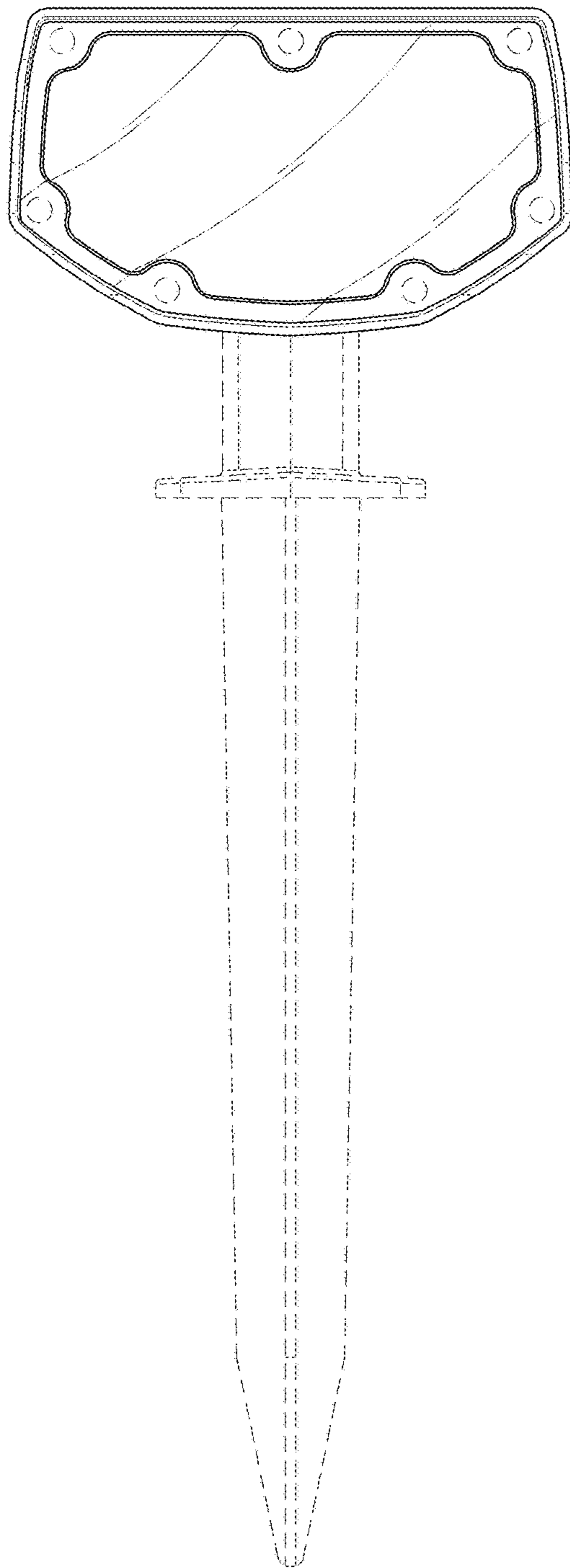


FIG. 2

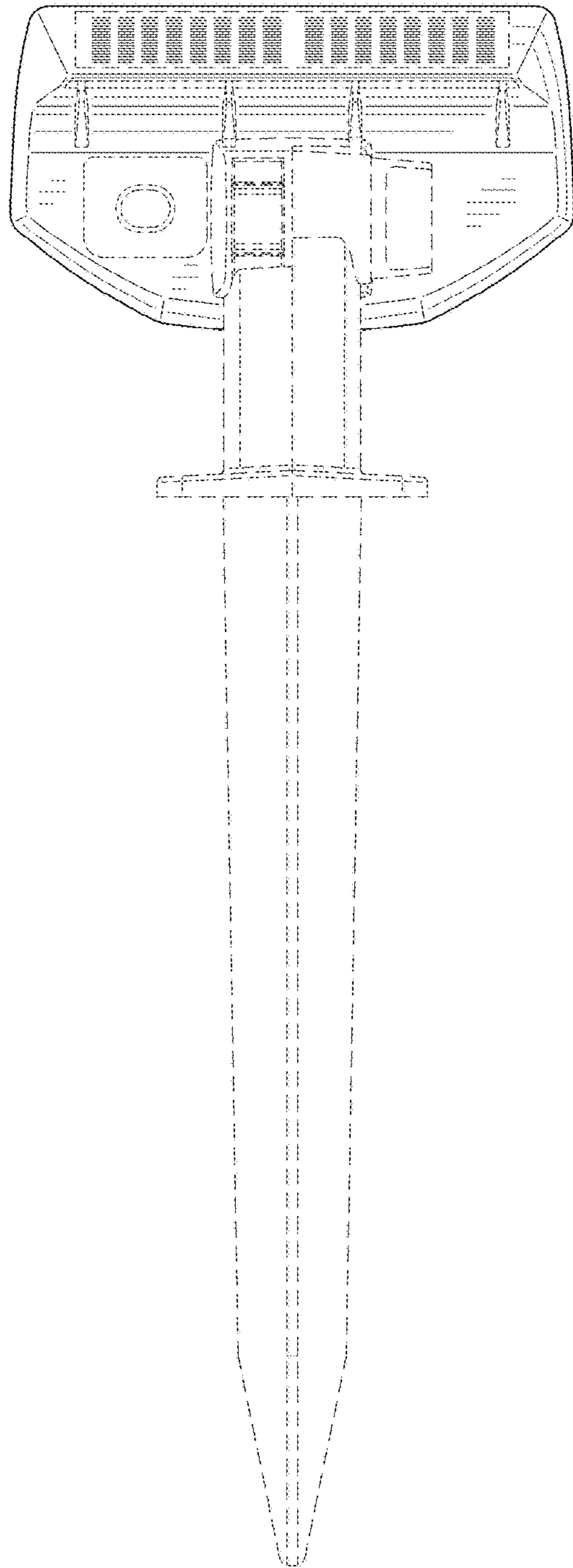


FIG. 3

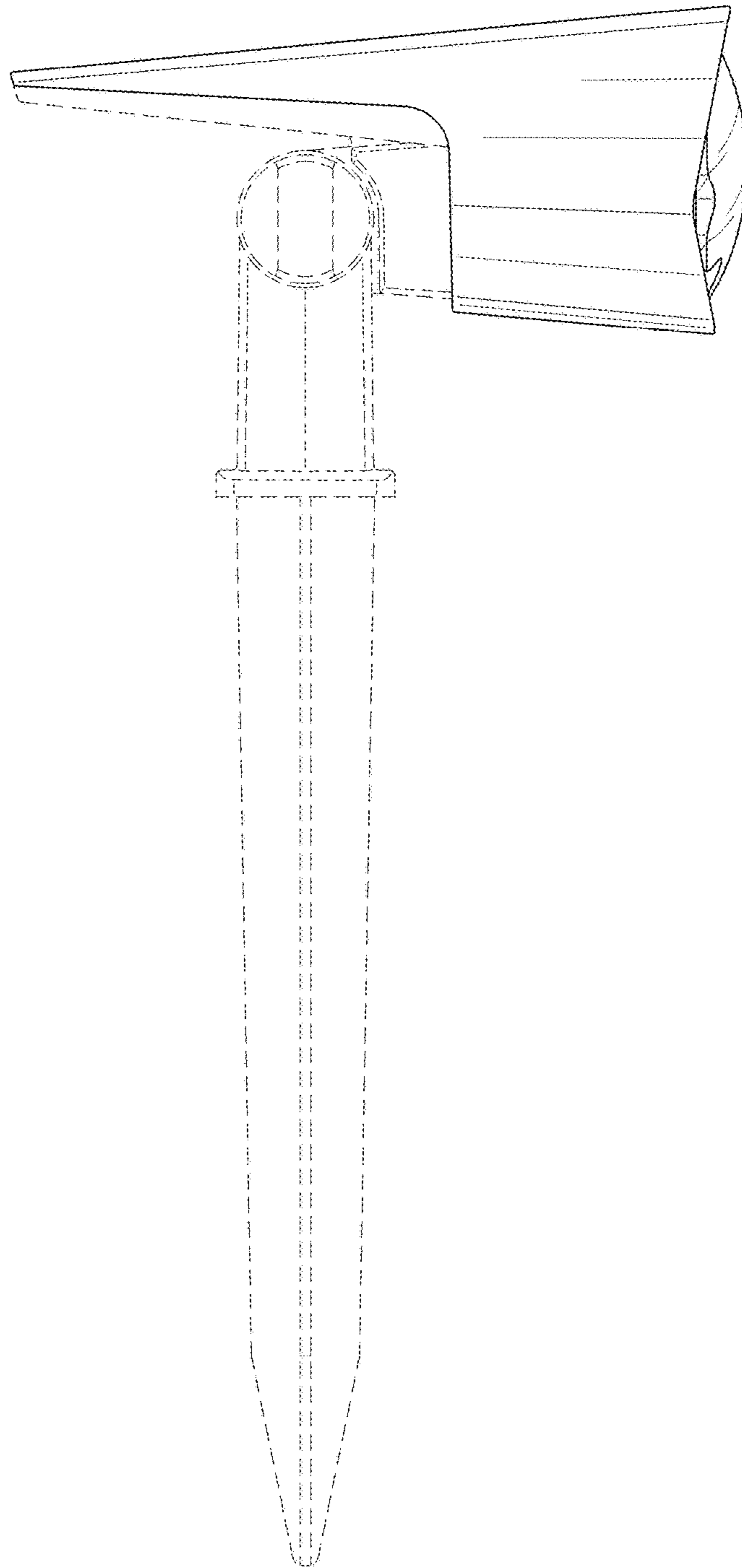


FIG. 4

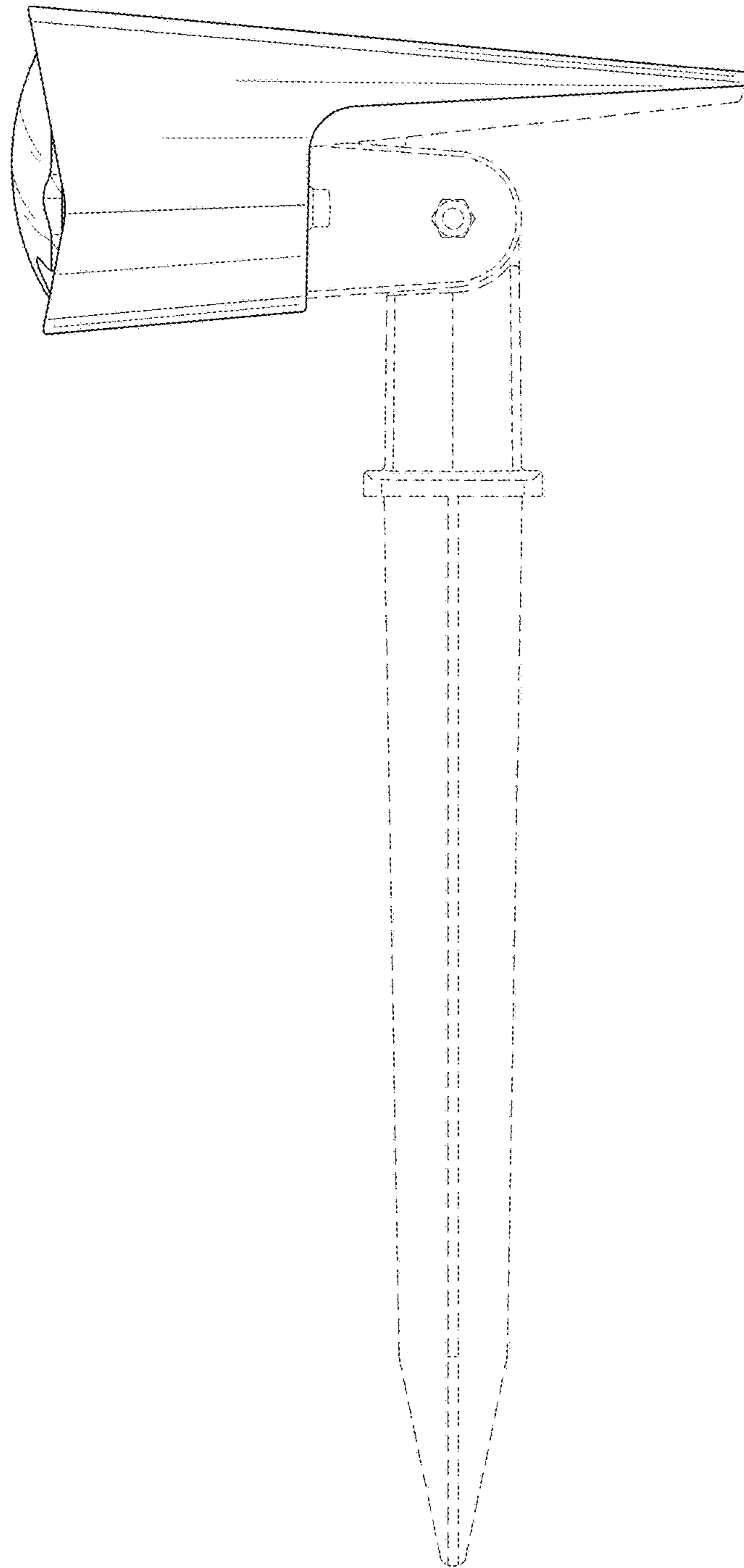


FIG. 5

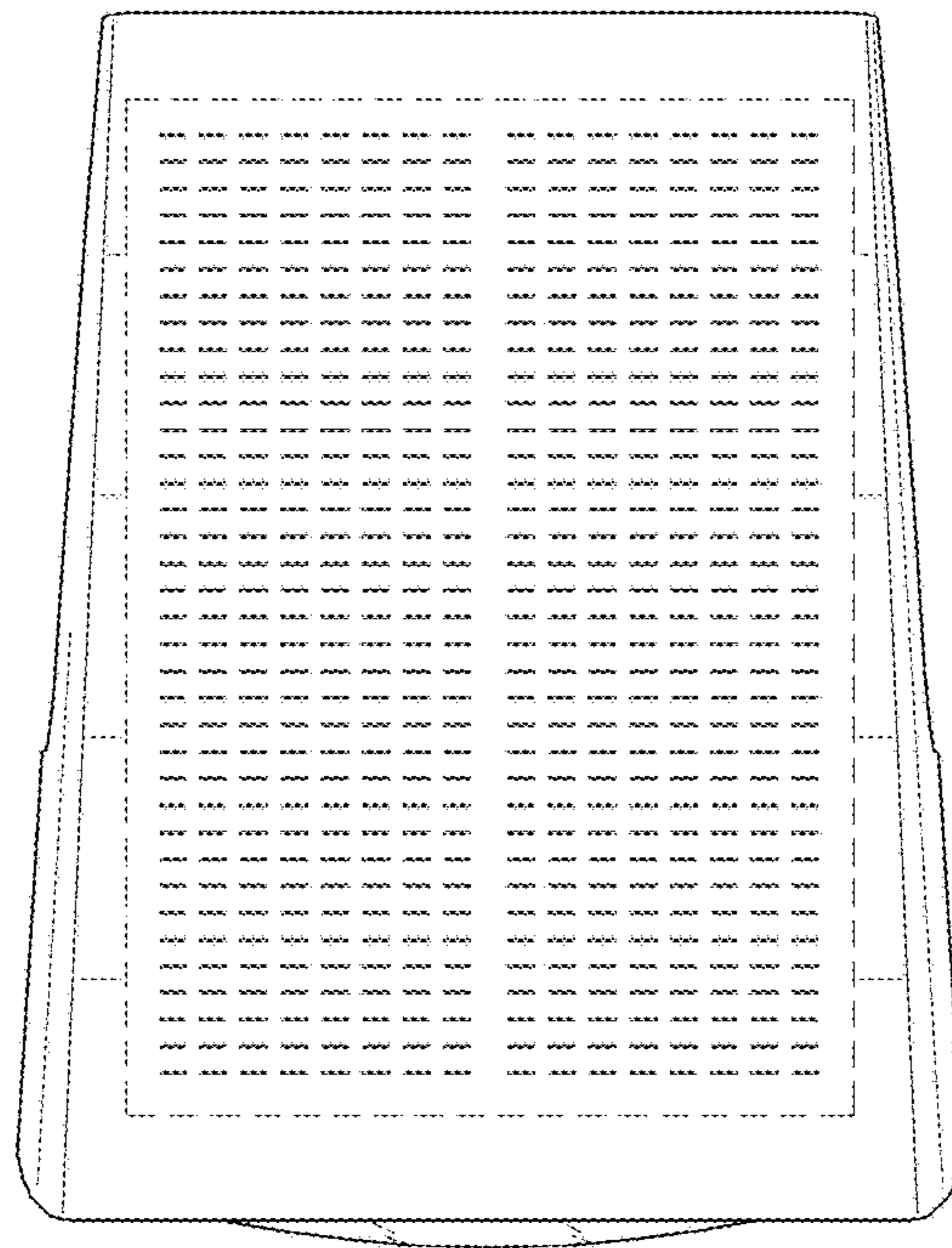


FIG. 6

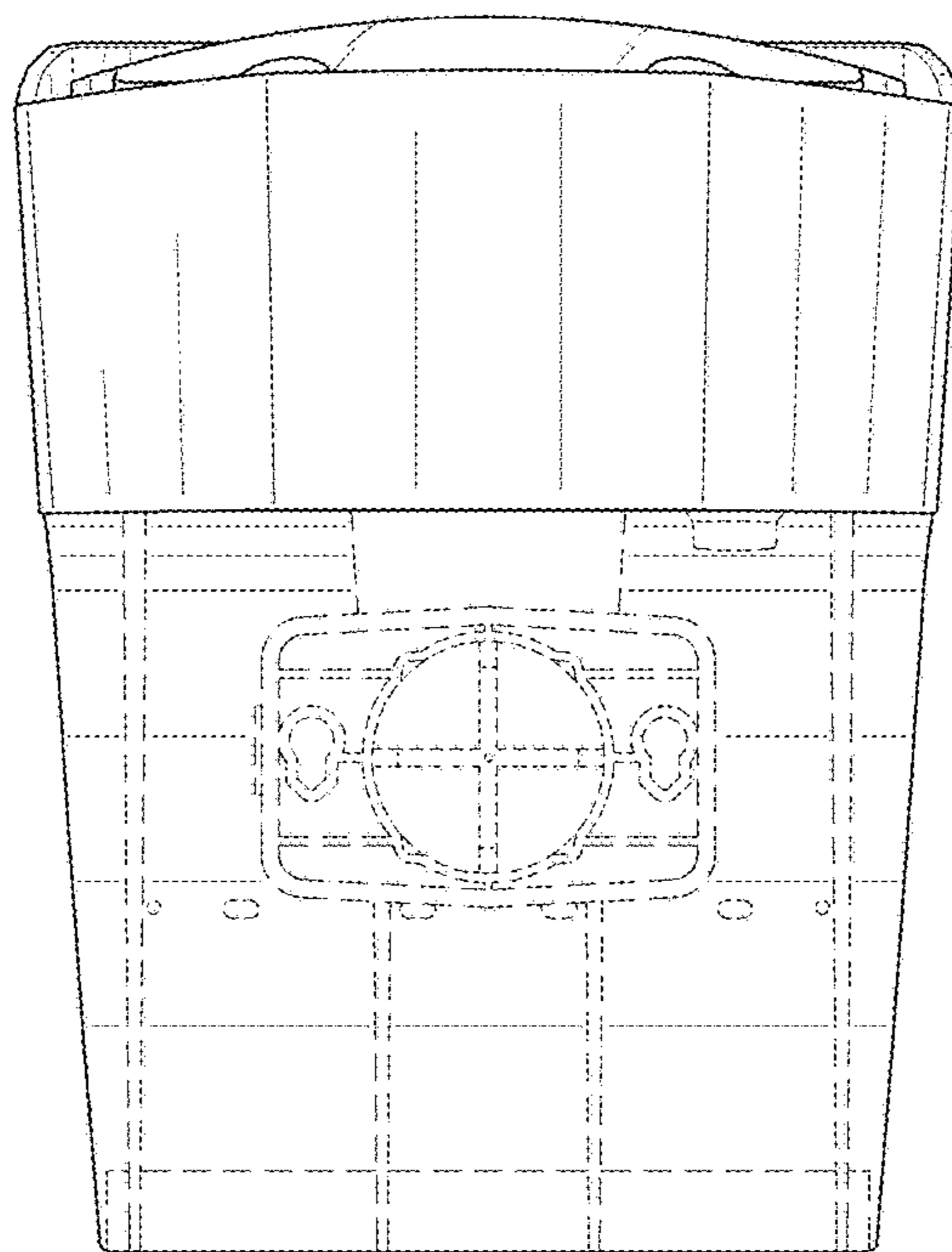


FIG. 7