



US00D839469S

(12) **United States Design Patent**  
**Deng**

(10) **Patent No.:** **US D839,469 S**

(45) **Date of Patent:** **\*\* Jan. 29, 2019**

(54) **LIGHT FIXTURE**

(71) Applicant: **Dongguan Pan American Electronics Co., Ltd, DongGuan, GuangDong (CN)**

(72) Inventor: **Jinsheng Deng, DongGuan (CN)**

(73) Assignee: **DONGGUAN PAN AMERICAN ELECTRONICS CO., LTD, Dongguan (CN)**

(\*\*) Term: **15 Years**

(21) Appl. No.: **29/606,897**

(22) Filed: **Jun. 8, 2017**

(30) **Foreign Application Priority Data**

Mar. 28, 2017 (CN) ..... 2017 3 0096495

(51) **LOC (11) Cl.** ..... **26-03**

(52) **U.S. Cl.**  
USPC ..... **D26/88; D26/72**

(58) **Field of Classification Search**  
USPC ..... D26/71, 72, 80, 88, 91, 92  
CPC ..... F21S 8/03; F21S 8/04; F21S 8/043; F21S 8/06; F21S 8/061; F21S 8/063; F21V 21/008; F21V 21/02; F21V 29/2212; F21V 29/767; F21V 29/77; F21V 29/777; F21V 29/78

See application file for complete search history.

(56) **References Cited**

**U.S. PATENT DOCUMENTS**

3,705,303 A \* 12/1972 Willis, Jr. .... F21S 8/06  
362/308  
8,167,468 B1 \* 5/2012 Olsson ..... F21S 8/03  
362/477  
D687,585 S \* 8/2013 Kim ..... D26/72  
D688,408 S \* 8/2013 Wung ..... D26/72

D727,549 S \* 4/2015 Wang ..... D26/85  
D811,642 S \* 2/2018 Liang ..... D26/72  
2013/0176707 A1 \* 7/2013 Audette ..... F21V 29/20  
362/84  
2013/0221846 A1 \* 8/2013 Alexiou ..... F21V 29/75  
315/51  
2013/0322079 A1 \* 12/2013 Guercio ..... F21S 8/04  
362/249.01  
2014/0347848 A1 \* 11/2014 Pisavadia ..... F21S 8/06  
362/190  
2015/0233569 A1 \* 8/2015 Xue ..... F21V 29/777  
362/373  
2017/0146225 A1 \* 5/2017 Chien ..... F21V 29/77  
2017/0321874 A1 \* 11/2017 Bryant ..... F21V 29/777

**OTHER PUBLICATIONS**

Outdoor Explosion-Proof Canopy LED Light Item Code No. 387305618. Found at dhgate.com visited Aug. 30, 2018. (Year: 2018).\*

\* cited by examiner

*Primary Examiner* — Clare E Heflin

(74) *Attorney, Agent, or Firm* — Ladas & Parry LLP

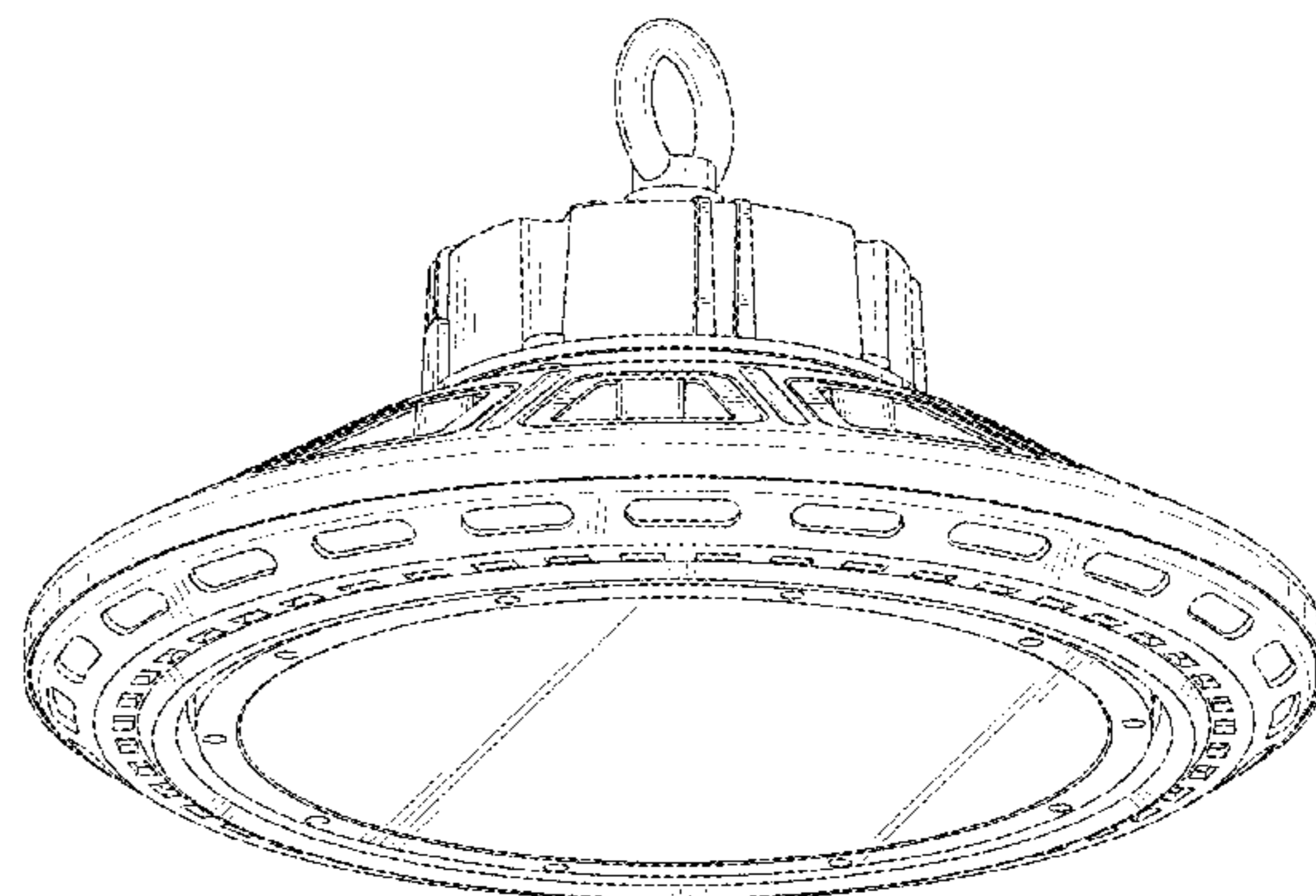
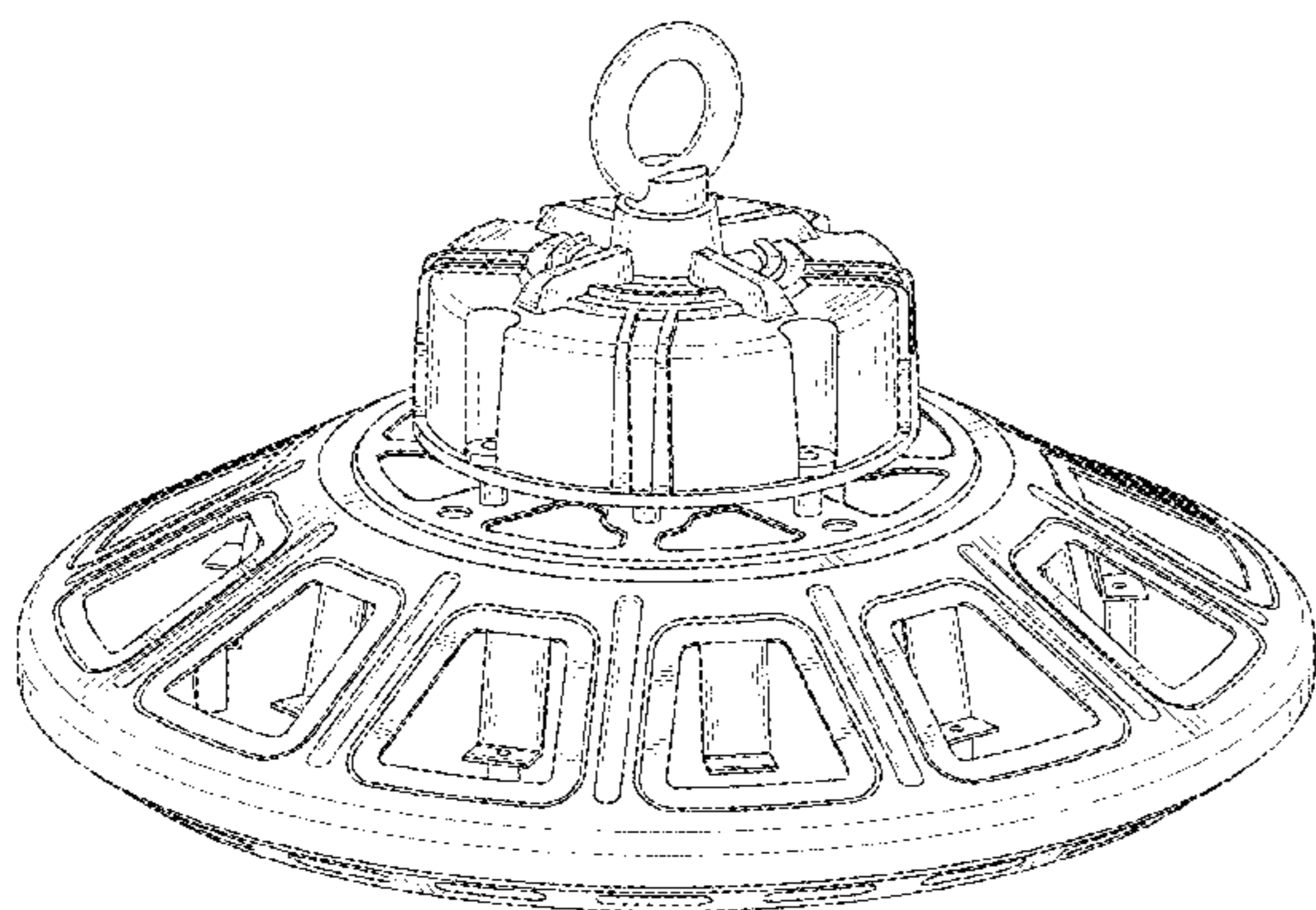
(57) **CLAIM**

The ornamental design for a light fixture, as shown and described.

**DESCRIPTION**

FIG. 1 is a front elevational view of a light fixture showing my new design;  
FIG. 2 is a rear elevational view thereof;  
FIG. 3 is a left-side elevational view thereof;  
FIG. 4 is a right-side elevational view thereof;  
FIG. 5 is a top plan view thereof;  
FIG. 6 is a bottom plan view thereof;  
FIG. 7 is a front, top, right perspective view thereof; and,  
FIG. 8 is a front, bottom, right perspective view thereof.

**1 Claim, 8 Drawing Sheets**



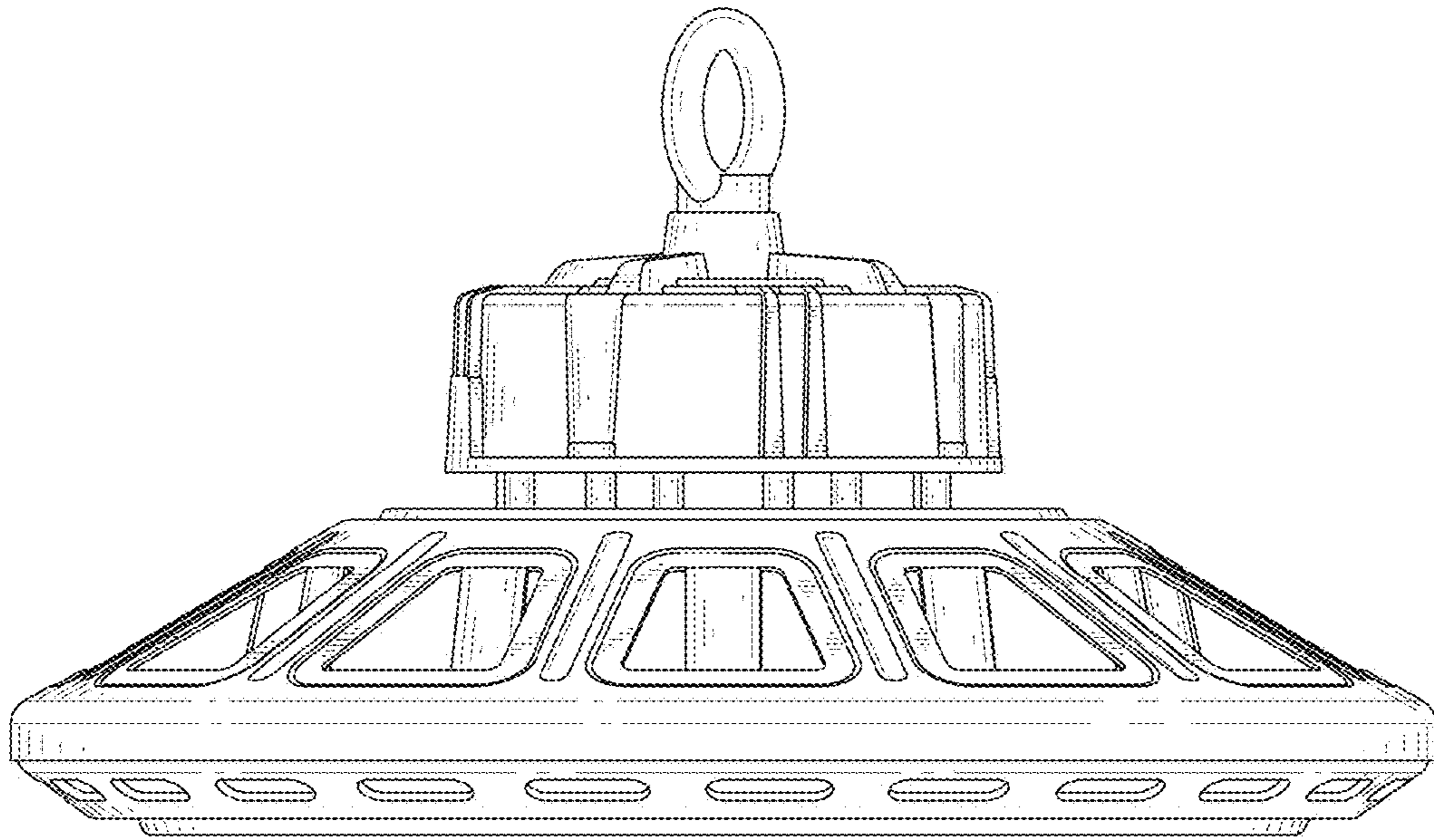


FIG. 1

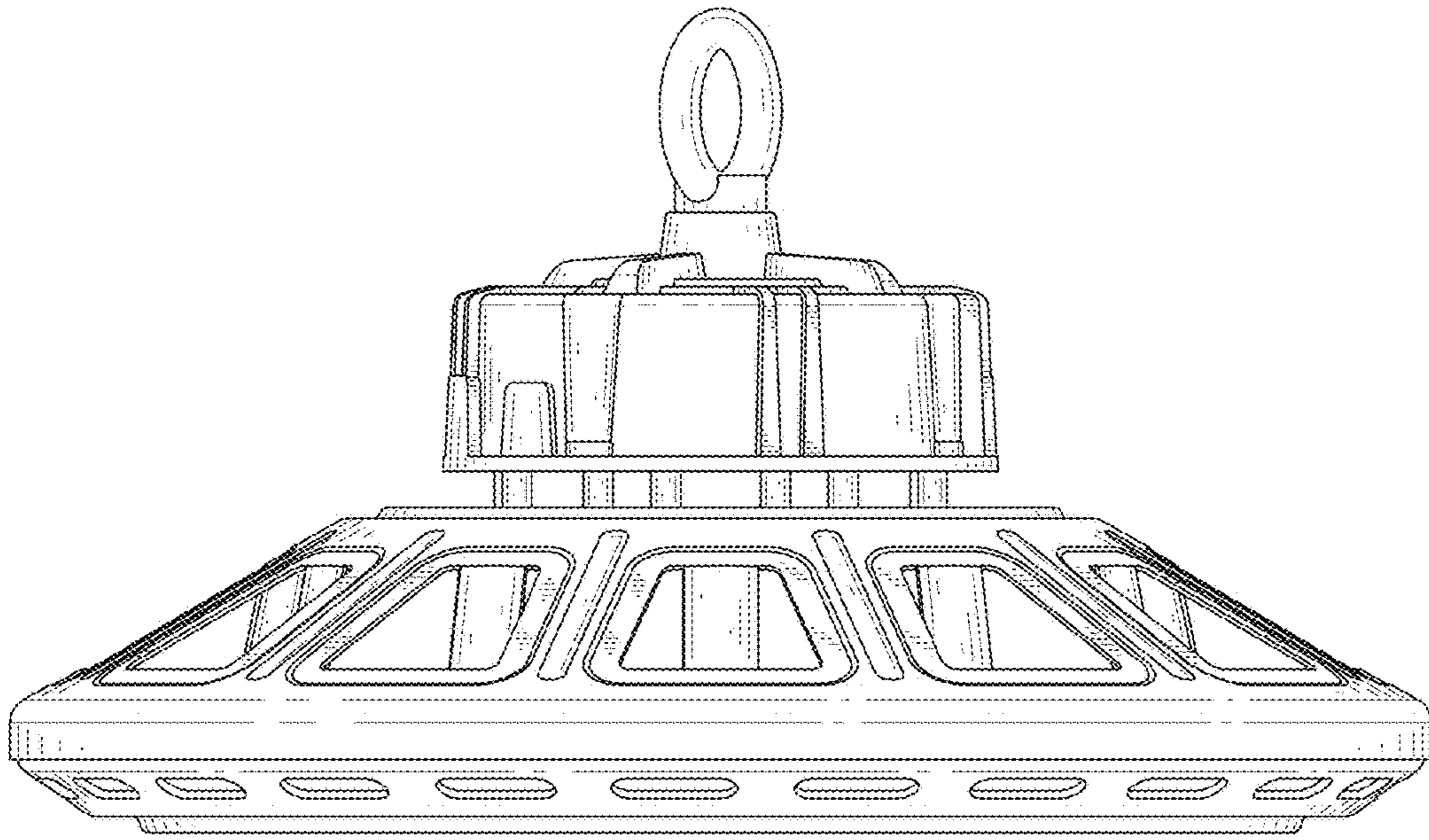


FIG. 2

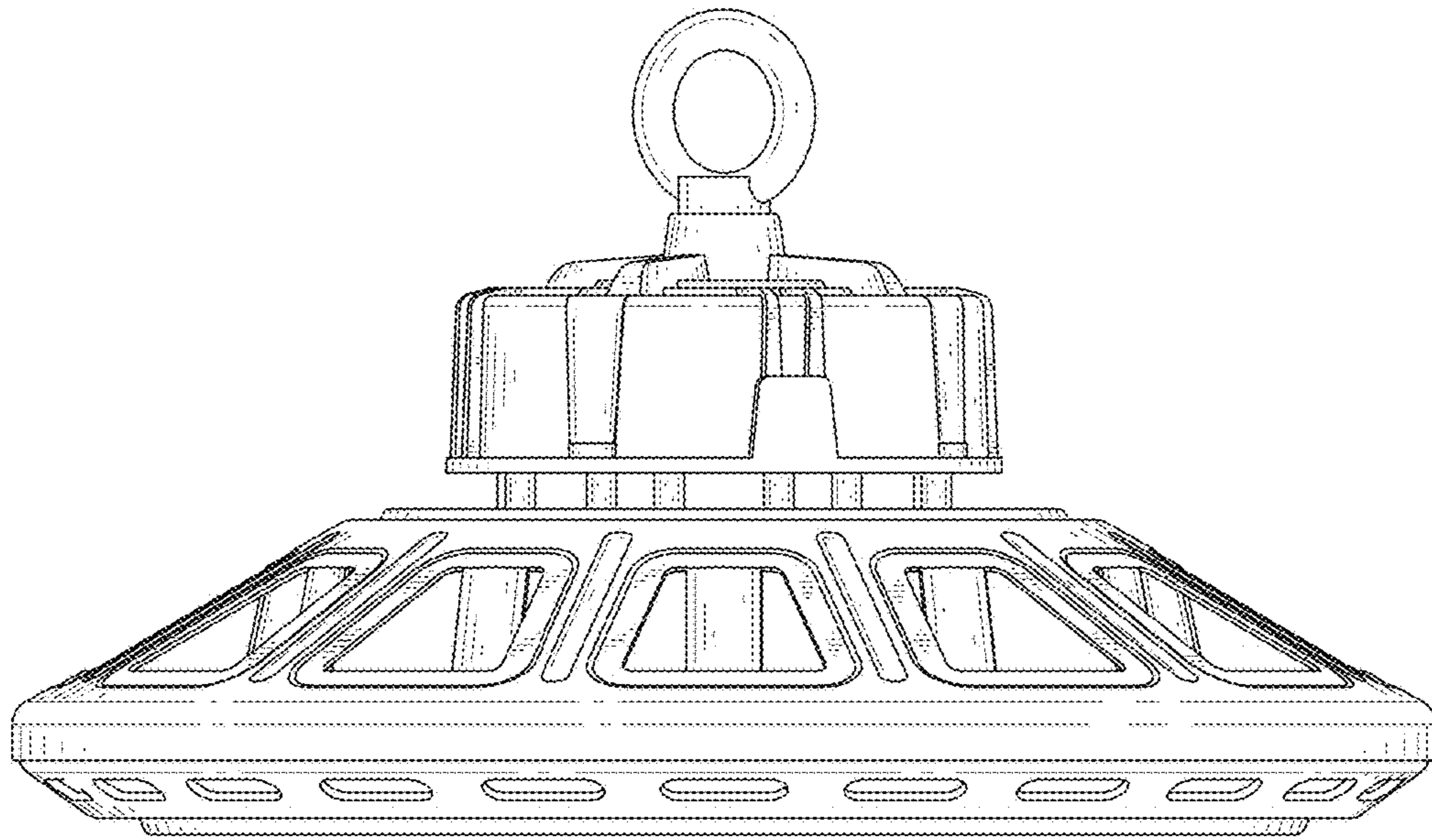


FIG. 3

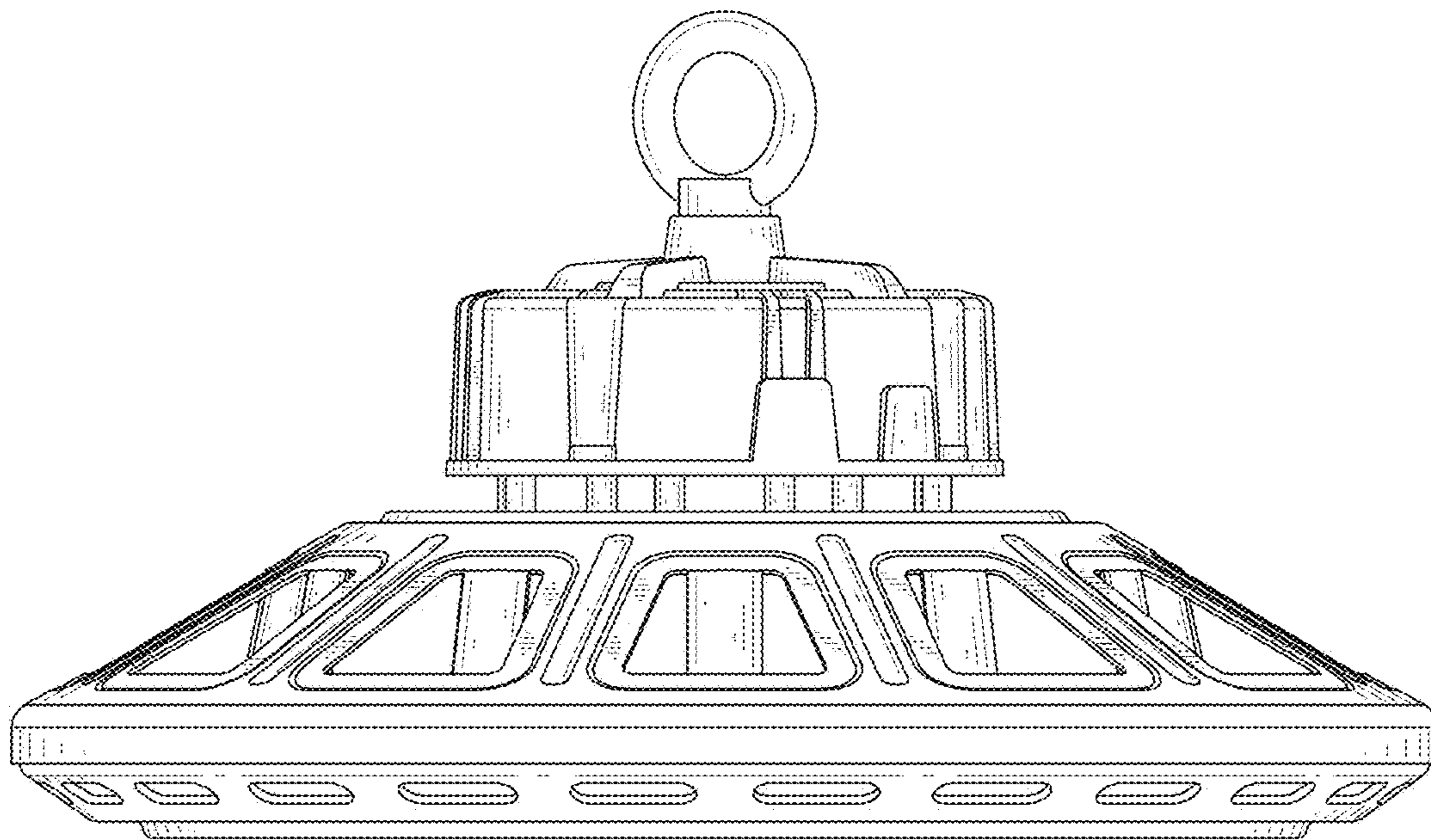


FIG. 4

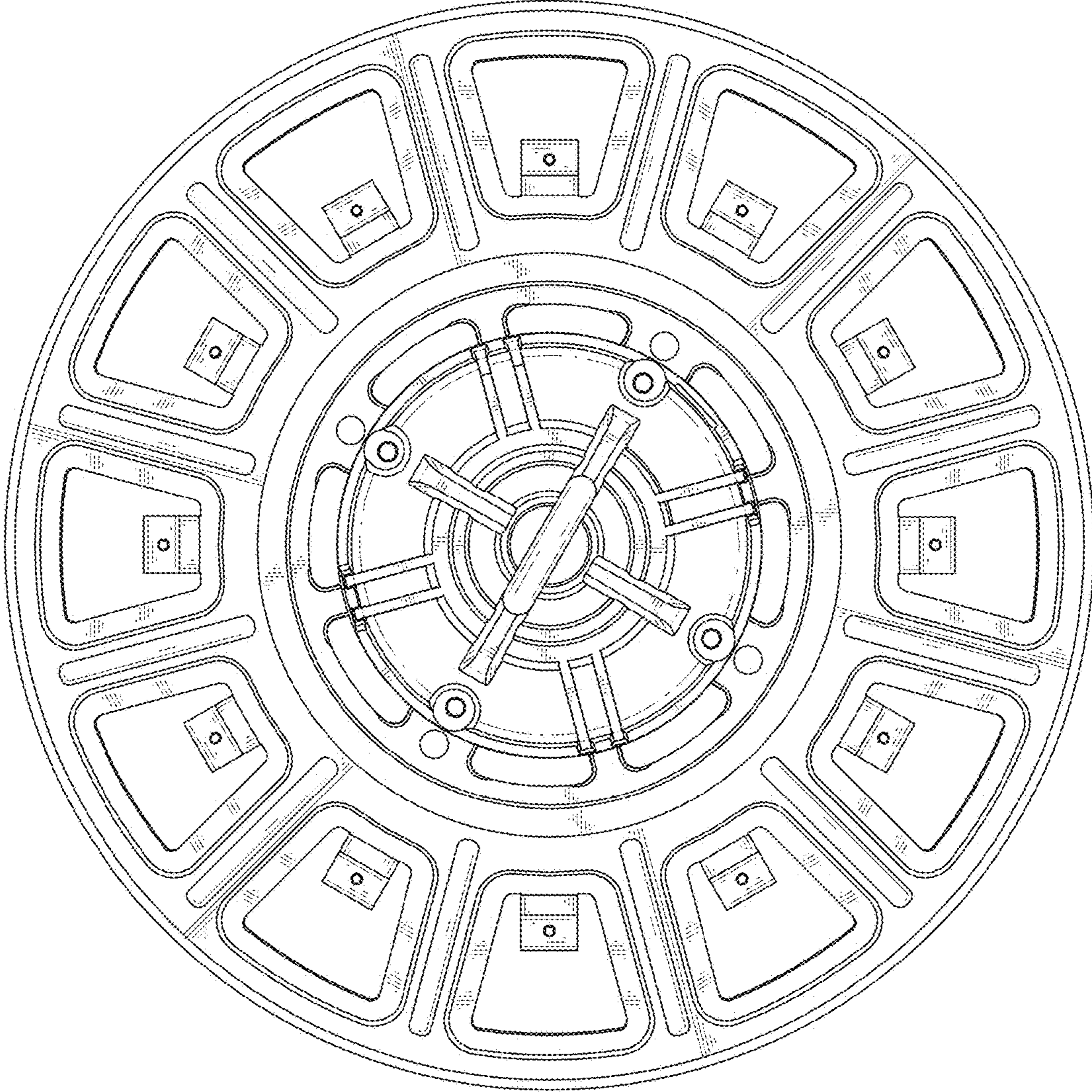


FIG. 5

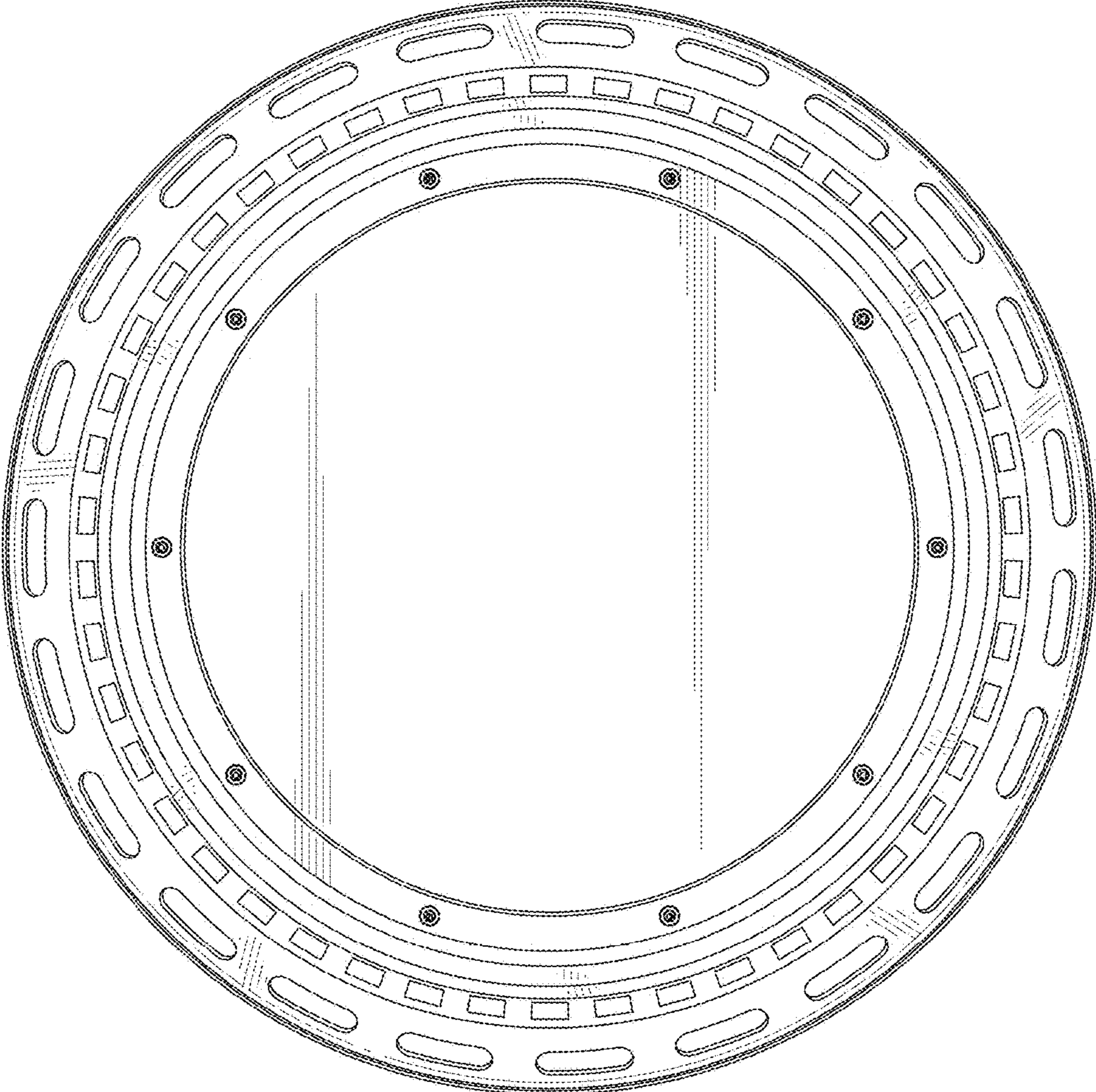


FIG. 6

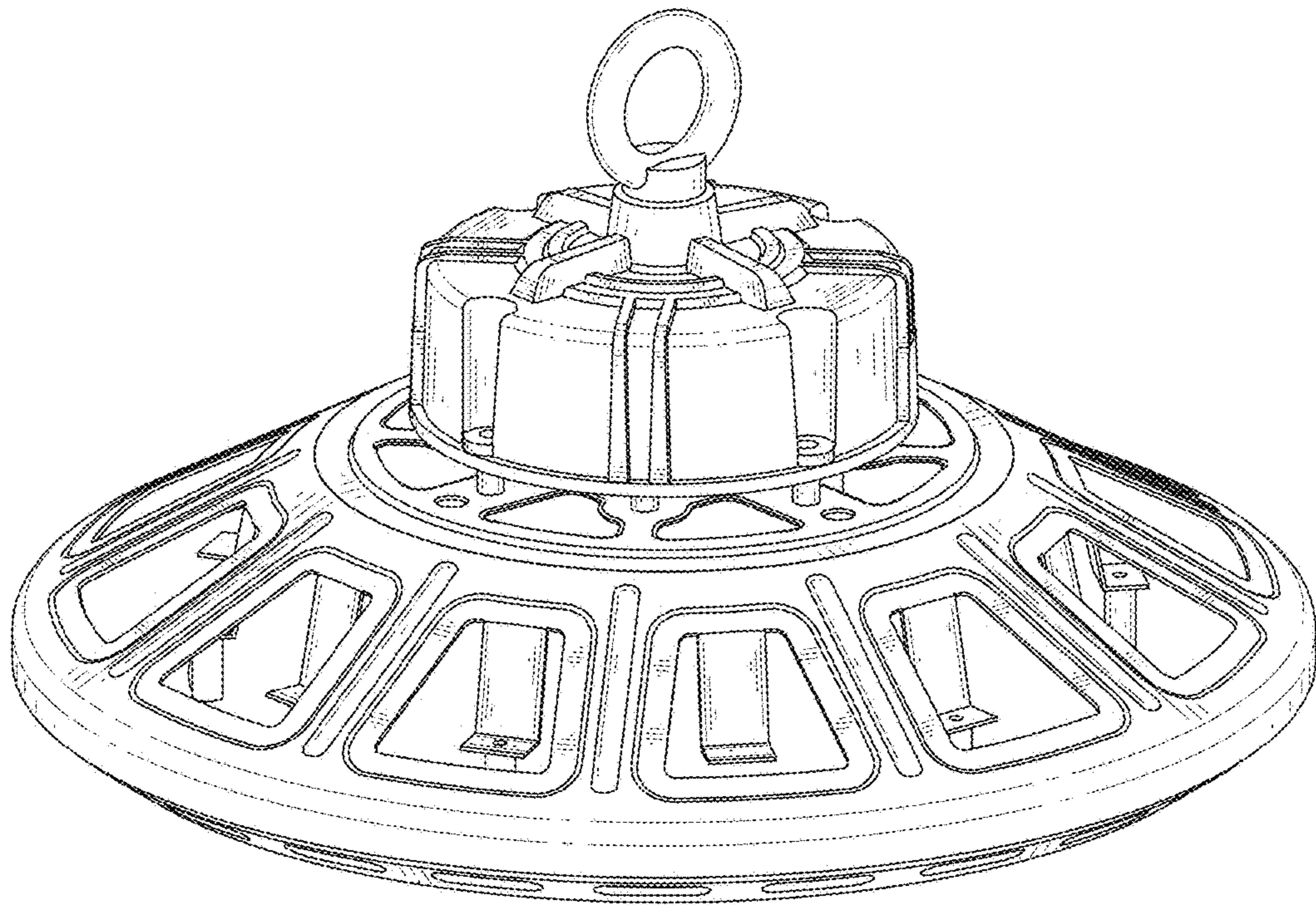


FIG. 7



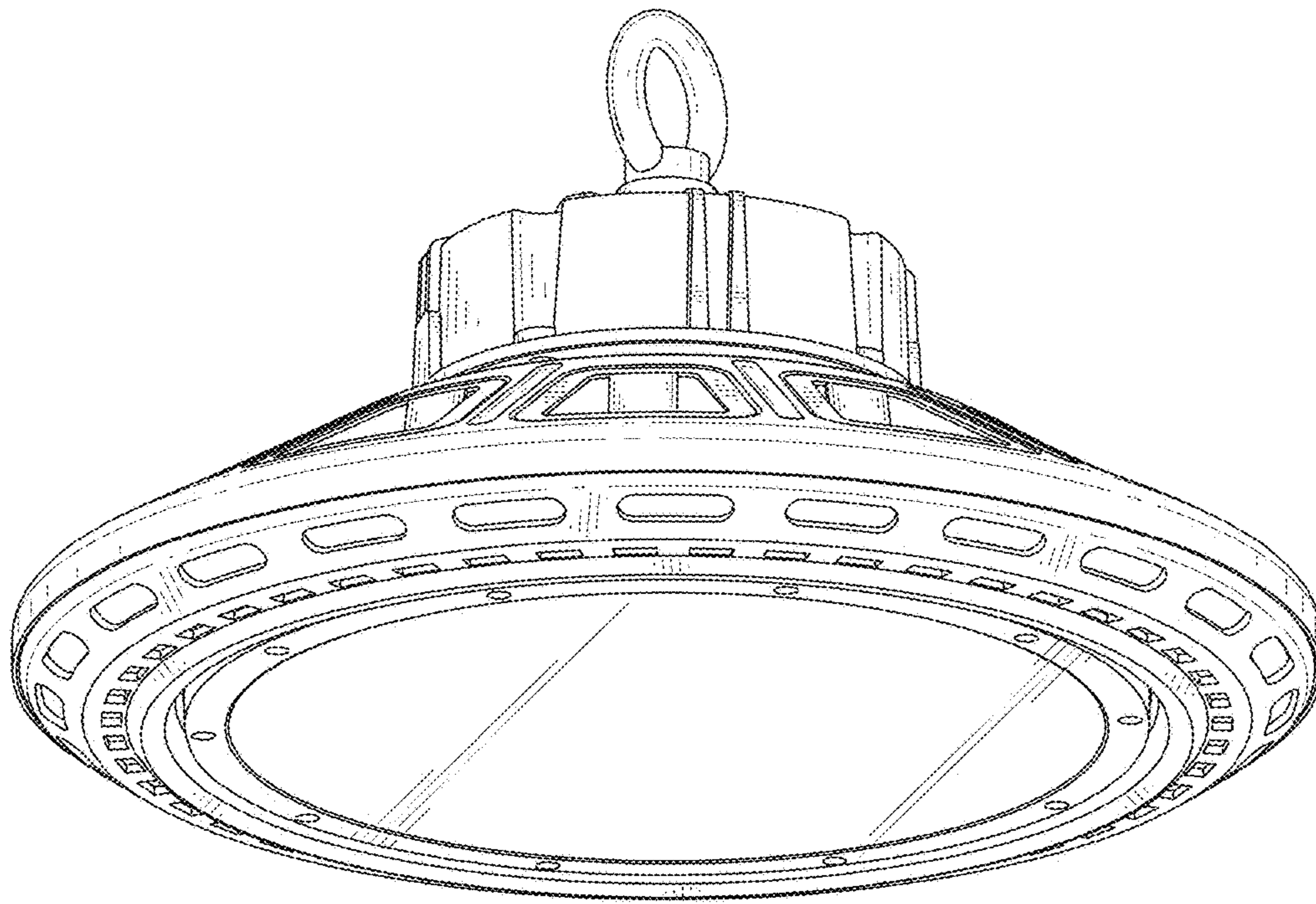


FIG. 8