



US00D839468S

(12) **United States Design Patent**  
**Hendifar et al.**

(10) **Patent No.:** **US D839,468 S**  
(45) **Date of Patent:** **\*\* Jan. 29, 2019**

(54) **LIGHT FIXTURE**

(71) Applicant: **APPARATUS, LLC**, New York, NY  
(US)

(72) Inventors: **Gabriel Hendifar**, Rhinebeck, NY  
(US); **Jeremy R. Anderson**, New York,  
NY (US)

(73) Assignee: **APPARATUS LLC**, New York, NY  
(US)

(\*\*) Term: **15 Years**

(21) Appl. No.: **29/638,974**

(22) Filed: **Mar. 2, 2018**

(51) **LOC (11) Cl.** ..... **26-03**

(52) **U.S. Cl.**  
USPC ..... **D26/87**

(58) **Field of Classification Search**  
USPC ..... D26/85, 87, 92, 86, 137  
CPC .... F21S 8/03; F21S 8/033; F21S 8/035; F21S  
8/036; F21S 8/037; F21S 8/04; F21S  
13/02; F21V 21/02; F21W 2121/004;  
F21W 2131/109  
See application file for complete search history.

(56) **References Cited**

**U.S. PATENT DOCUMENTS**

D94,052 S *	12/1934	Sadler et al.	.....	D26/145
D105,327 S *	7/1937	Godfrey	.....	D26/87
D228,146 S *	8/1973	Schwartz	.....	D26/82
D400,285 S *	10/1998	Littman	.....	D26/87
D414,288 S *	9/1999	Littman	.....	D26/87
D441,488 S *	5/2001	Benghozi	.....	D26/87
D442,317 S *	5/2001	Crosby	.....	D26/87
D643,564 S *	8/2011	Gilad	.....	D26/87

D673,713 S *	1/2013	Sage	.....	D26/87
D774,236 S *	12/2016	Anderson	.....	D26/85
D788,348 S *	5/2017	Hendifar	.....	D26/84
D804,699 S *	12/2017	Hendifar	.....	D26/87
D822,258 S *	7/2018	Hendifar	.....	D26/85

**OTHER PUBLICATIONS**

Talisman® 1 Sconce by Apparatus, LLC. Brochure/PDF © 2018.  
(Year: 2018).\*

\* cited by examiner

*Primary Examiner* — Clare E Heflin

(74) *Attorney, Agent, or Firm* — Gottlieb, Rackman & Reisman, P.C.

(57) **CLAIM**

The ornamental design for a light fixture, as shown and described.

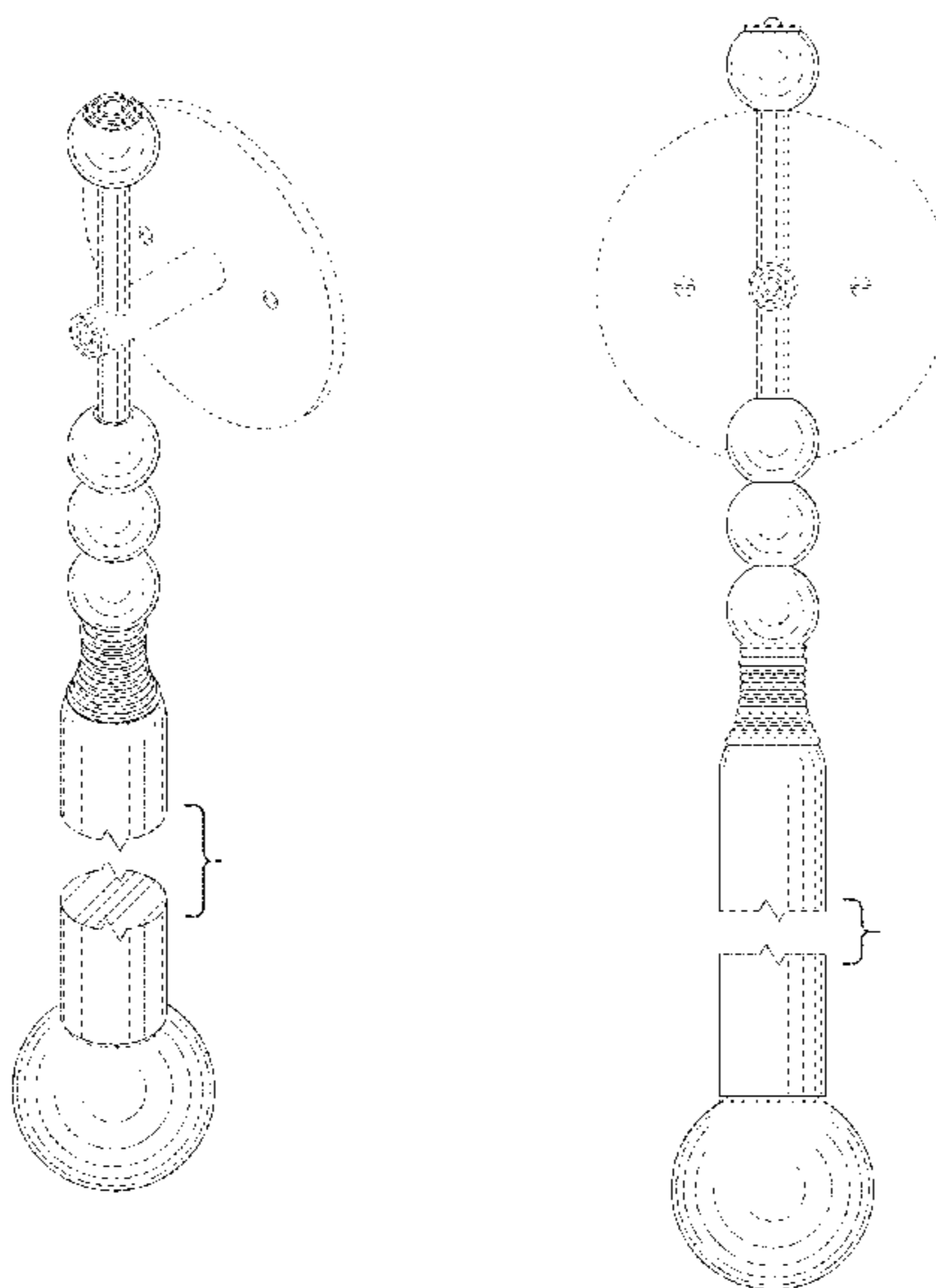
**DESCRIPTION**

FIG. 1 is a perspective view showing our new design;  
FIG. 2 is a front elevational view thereof;  
FIG. 3 is a rear elevational view thereof;  
FIG. 4 is a left side elevational view thereof;  
FIG. 5 is a right side elevational view thereof;  
FIG. 6 is top plan view thereof; and,  
FIG. 7 is a bottom plan view thereof.

The break lines in FIGS. 1-5 are to indicate that the appearance of any portion of the light fixture between the break lines forms no part of the claimed design.

The broken lines shown in the drawings are included for the purpose of illustrating portions of the light fixture that form no part of the claimed design.

**1 Claim, 6 Drawing Sheets**



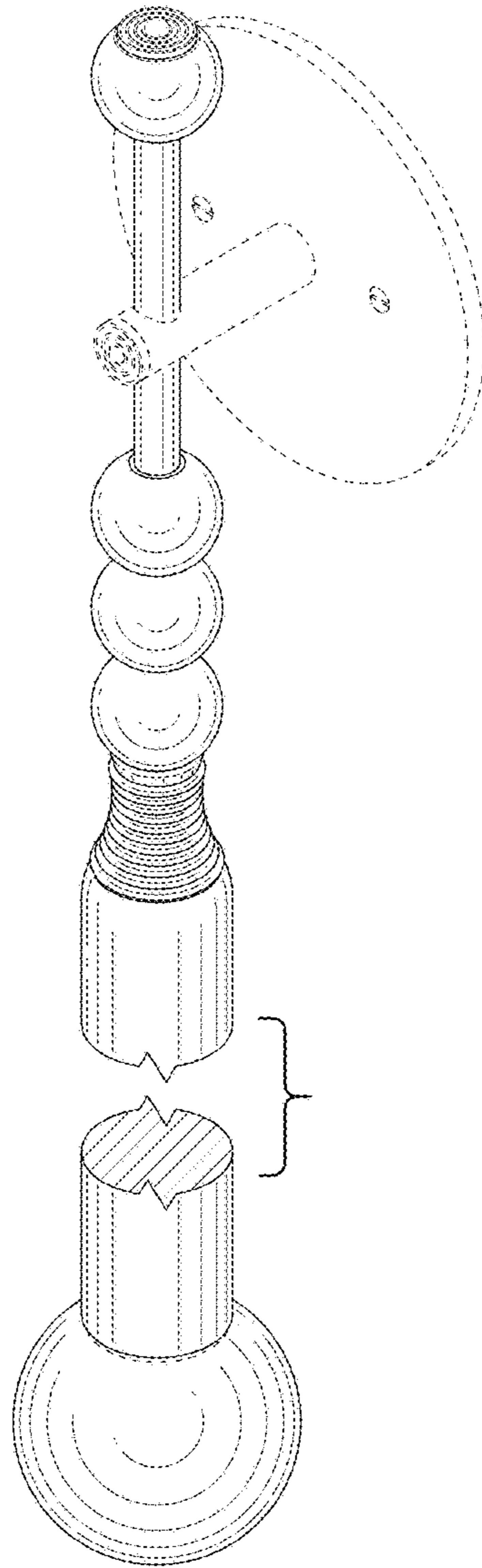


FIG. 1

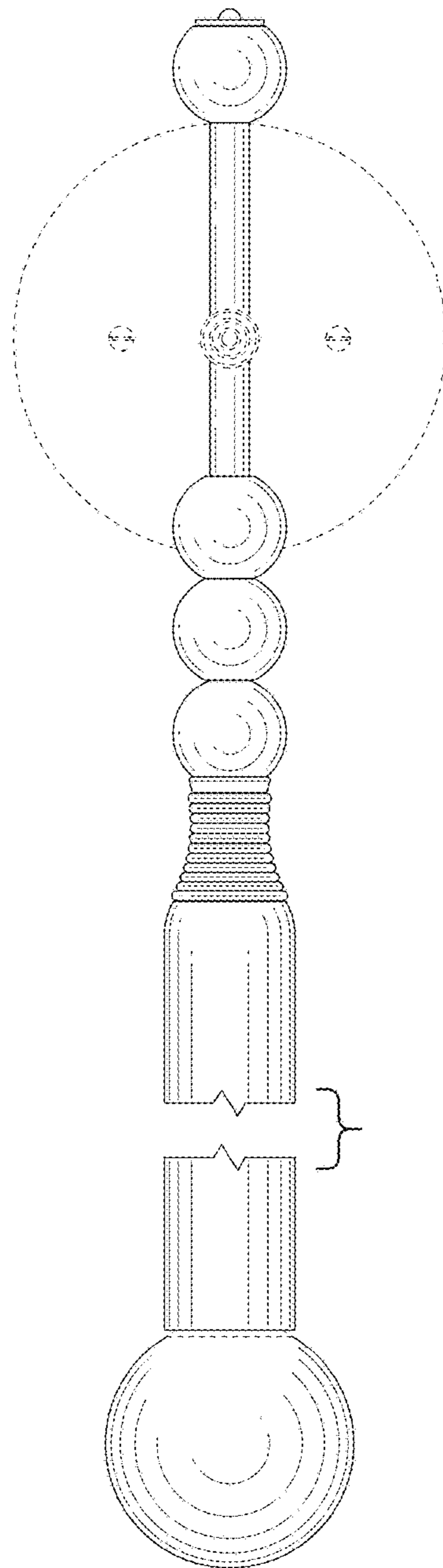


FIG. 2

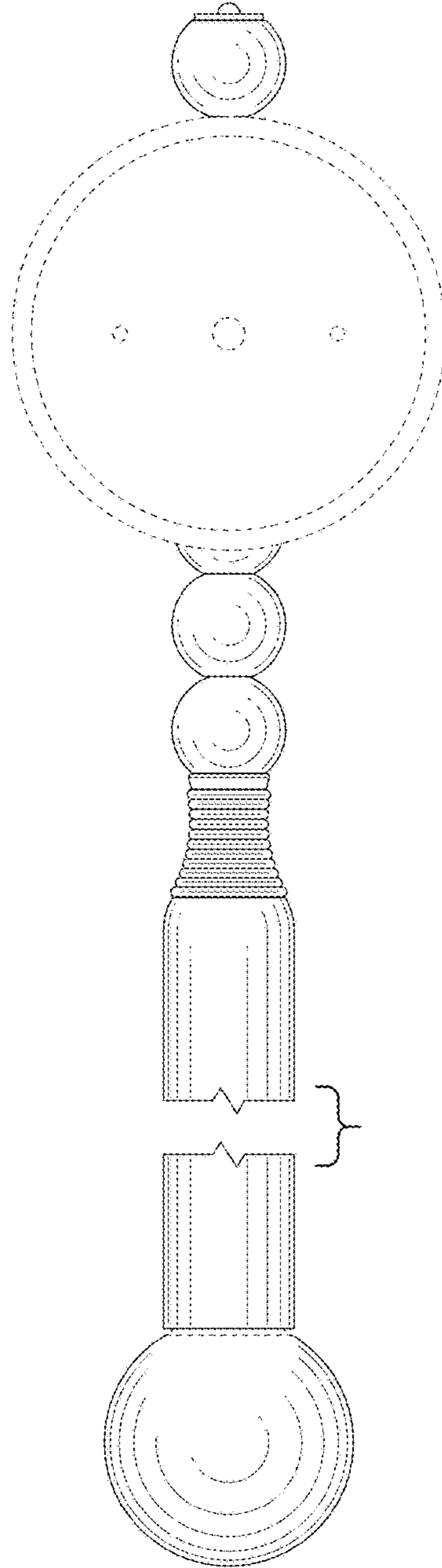


FIG.3

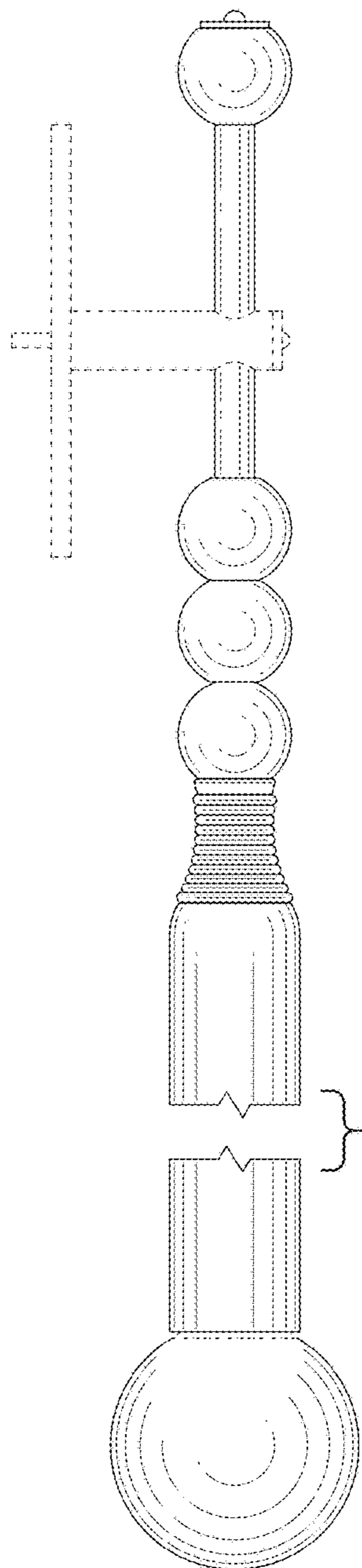


FIG. 4

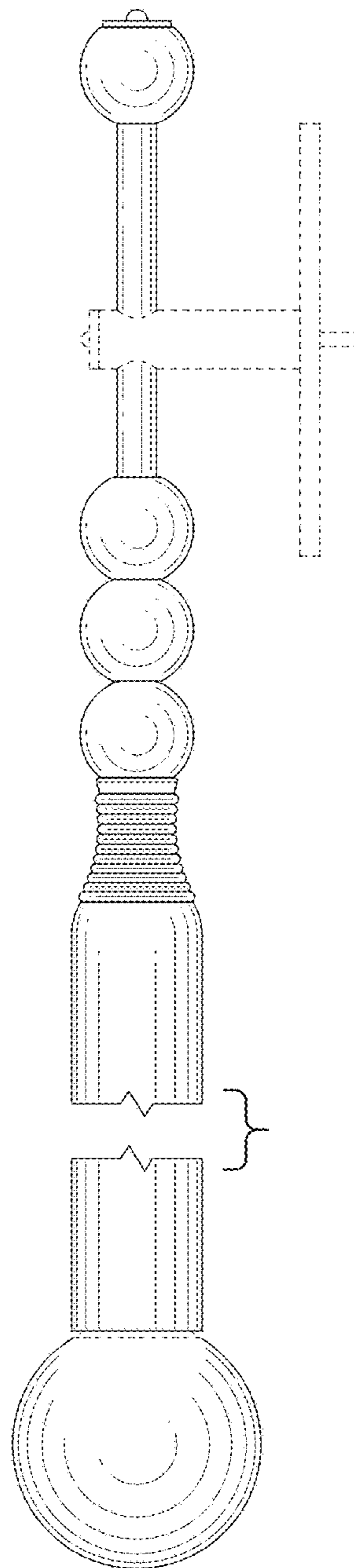


FIG. 5

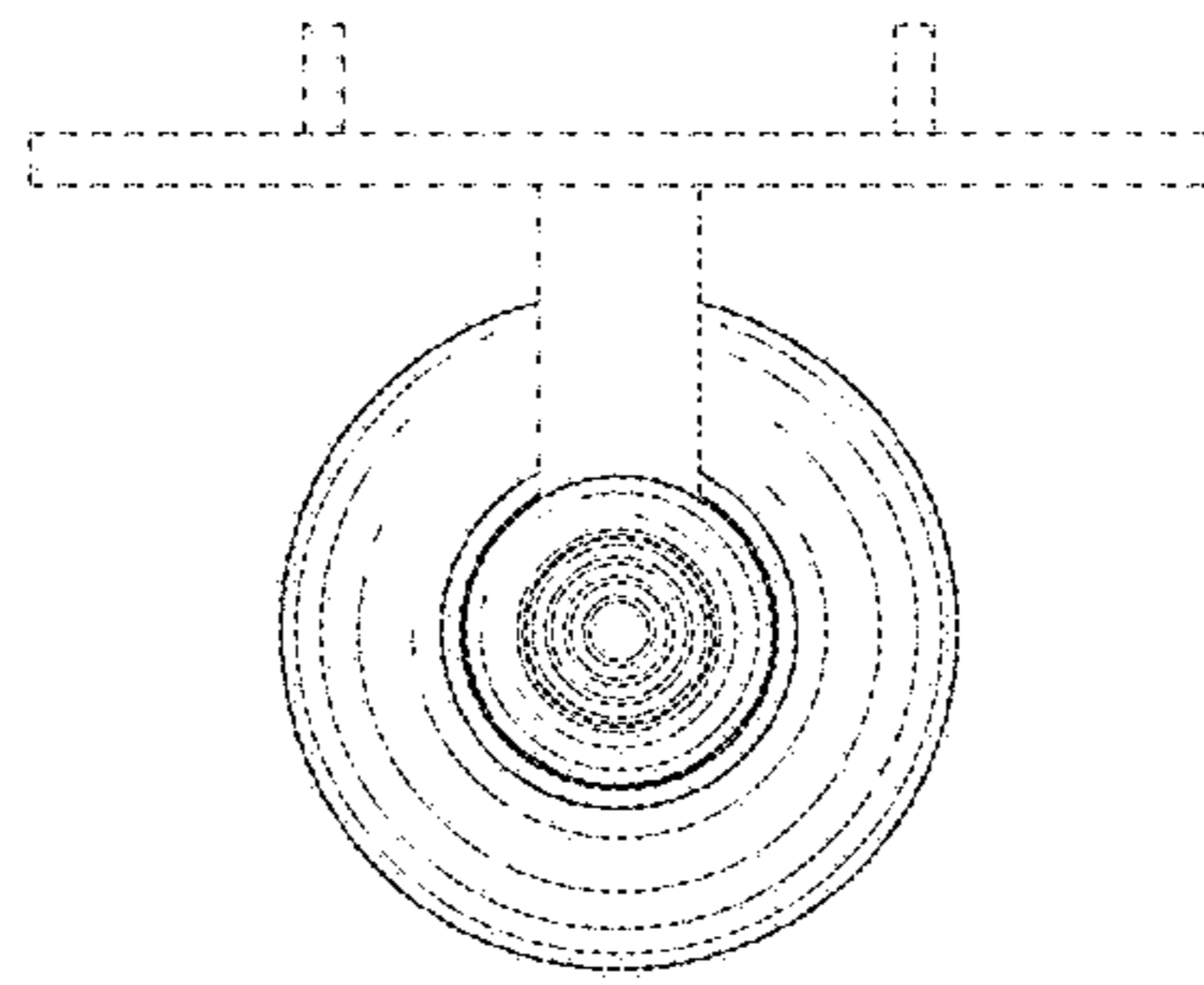


FIG. 6

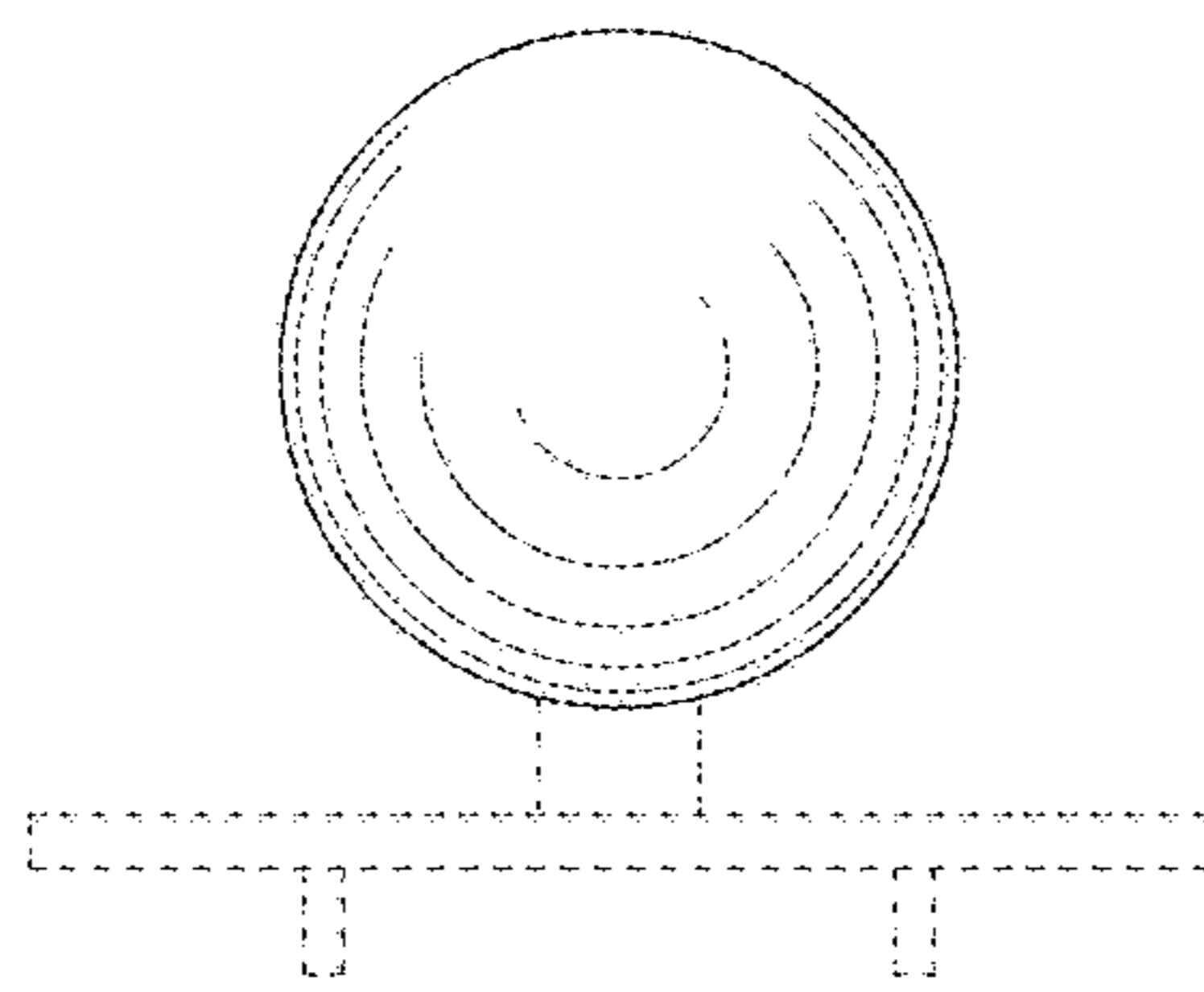


FIG. 7