



US00D839467S

(12) **United States Design Patent**
Hendifar et al.

(10) **Patent No.:** **US D839,467 S**
(45) **Date of Patent:** **** Jan. 29, 2019**

(54) **LIGHT FIXTURE**

D804,699 S * 12/2017 Hendifar D26/87
D821,629 S * 6/2018 Amato D26/87
D822,258 S * 7/2018 Hendifar D26/85

(71) Applicant: **APPARATUS, LLC**, New York, NY
(US)

(72) Inventors: **Gabriel Hendifar**, Rhinebeck, NY
(US); **Jeremy R. Anderson**, New York,
NY (US)

(73) Assignee: **APPARATUS, LLC**, New York, NY
(US)

(**) Term: **15 Years**

(21) Appl. No.: **29/638,973**

(22) Filed: **Mar. 2, 2018**

(51) **LOC (11) Cl.** **26-03**

(52) **U.S. Cl.**

USPC **D26/87**

(58) **Field of Classification Search**

USPC D26/85, 87, 92, 86, 137
CPC F21S 8/03; F21S 8/033; F21S 8/035; F21S
8/036; F21S 8/037; F21S 8/04; F21S
13/02; F21V 21/02; F21W 2121/004;
F21W 2131/109

See application file for complete search history.

(56) **References Cited**

U.S. PATENT DOCUMENTS

D94,052 S * 12/1934 Sadler et al. D26/87
D105,327 S * 7/1937 Godfrey D26/87
D228,146 S * 8/1973 Schwartz D26/82
D429,837 S * 8/2000 Littman D26/87
D441,488 S * 5/2001 Benghozi D26/87
D442,317 S * 5/2001 Crosby D26/87
D774,236 S * 12/2016 Anderson D26/85
D788,348 S * 5/2017 Hendifar D26/84
D799,098 S * 10/2017 Hendifar D26/88

OTHER PUBLICATIONS

Talisman® Loop Sconce Brochure/PDF by Apparatus, LLC. ©
2018 (Year: 2018).*

Benson 23"H Glass-Beaded Leaf Wall Sconce by Home Source
Industries. Found at furnishingswarehouse.com visited Nov. 15,
2018. (Year: 2018).*

Mystic Sand Sconce Item SKU: SC18058 at Shades of Light.
shadesoflight.com visited Nov. 15, 2018. (Year: 2018).*

Modern Glamour Beaded Sconce SKU: SC16102 AB from Shades
of Light. shadesoflight.com visited Nov. 15, 2018. (Year: 2018).*

* cited by examiner

Primary Examiner — Clare E Heflin

(74) *Attorney, Agent, or Firm* — Gottlieb, Rackman &
Reisman, P.C.

(57) **CLAIM**

The ornamental design for a light fixture, as shown and
described.

DESCRIPTION

FIG. 1 is a perspective view showing our new design;

FIG. 2 is a front elevational view thereof;

FIG. 3 is a rear elevational view thereof;

FIG. 4 is a left side elevational view thereof;

FIG. 5 is a right side elevational view thereof;

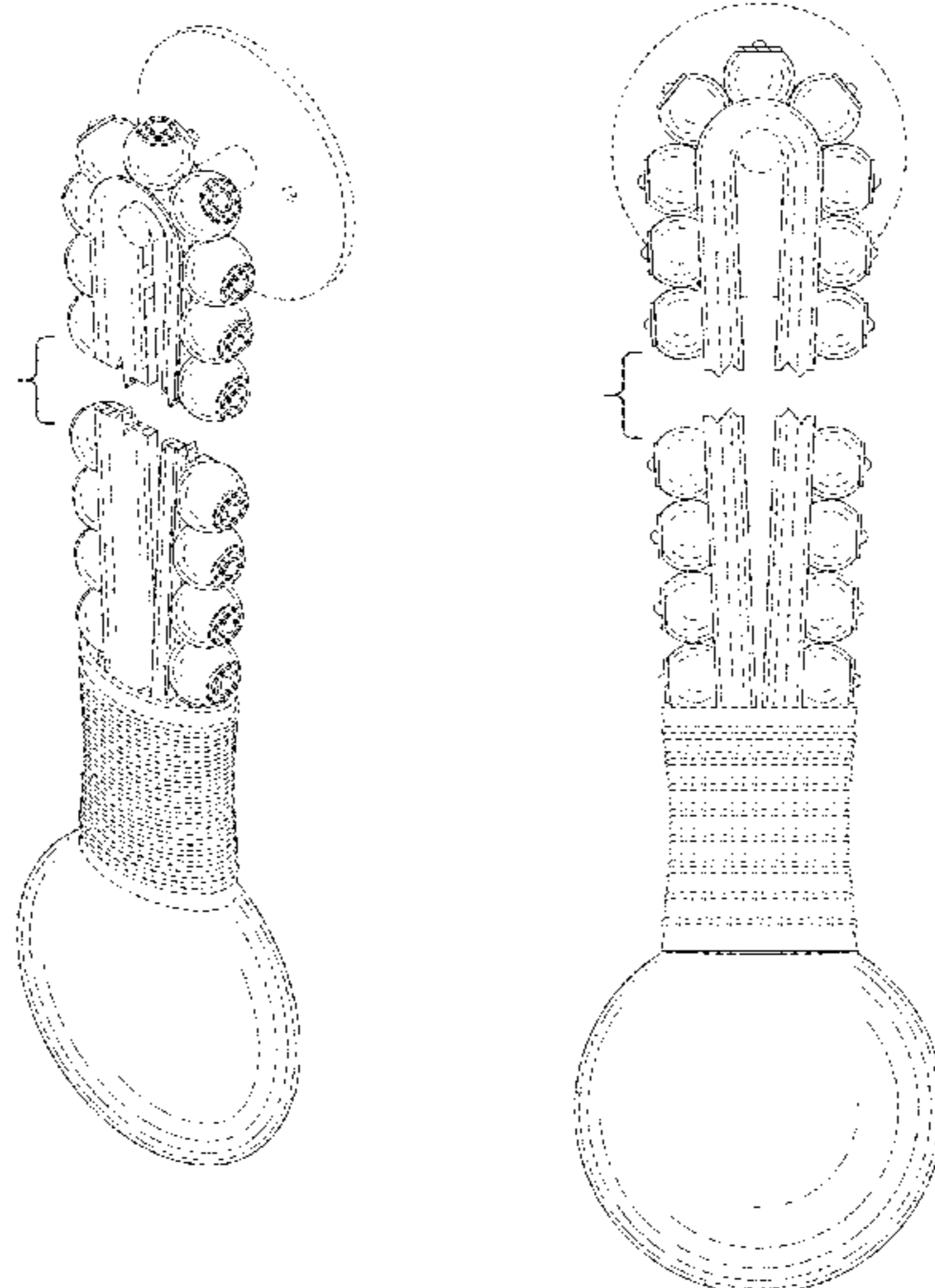
FIG. 6 is top plan view thereof; and,

FIG. 7 is a bottom plan view thereof.

The break lines in FIGS. 1-5 are to indicate that the
appearance of any portion of the light fixture between the
break lines forms no part of the claimed design.

The broken lines shown in the drawings are included for the
purpose of illustrating portions of the light fixture that form
no part of the claimed design.

1 Claim, 6 Drawing Sheets



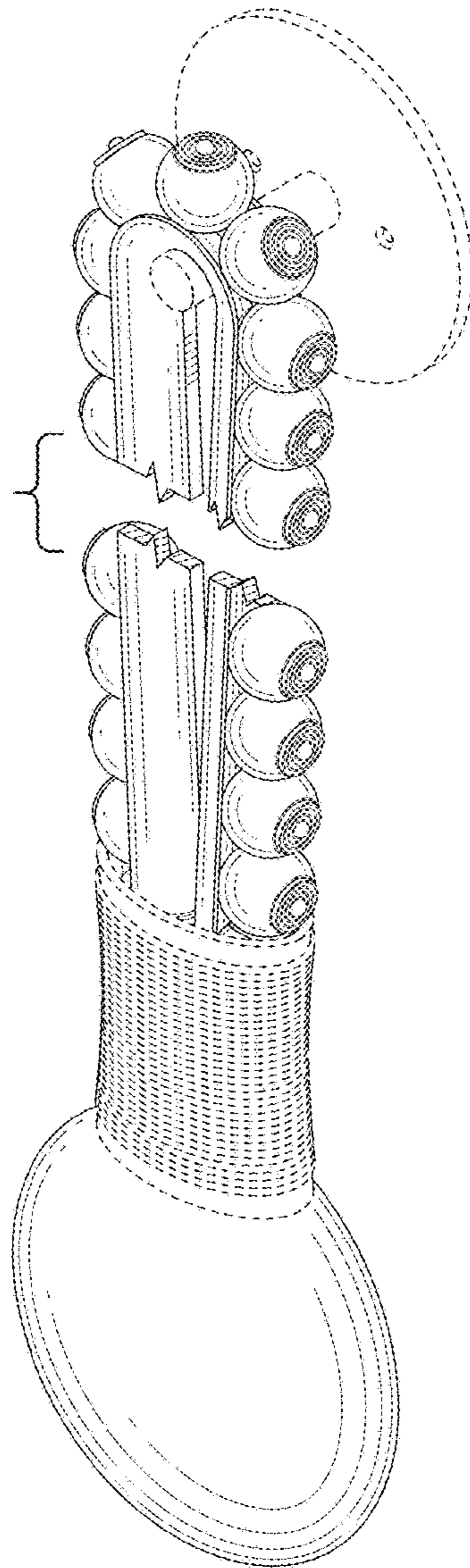


FIG. 1

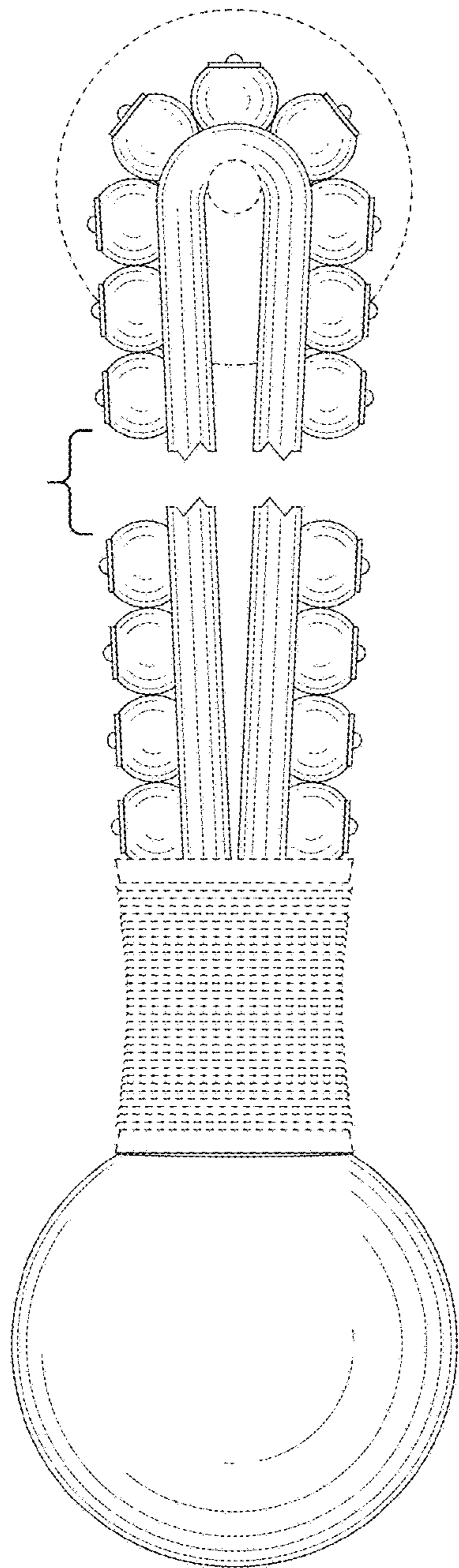


FIG. 2

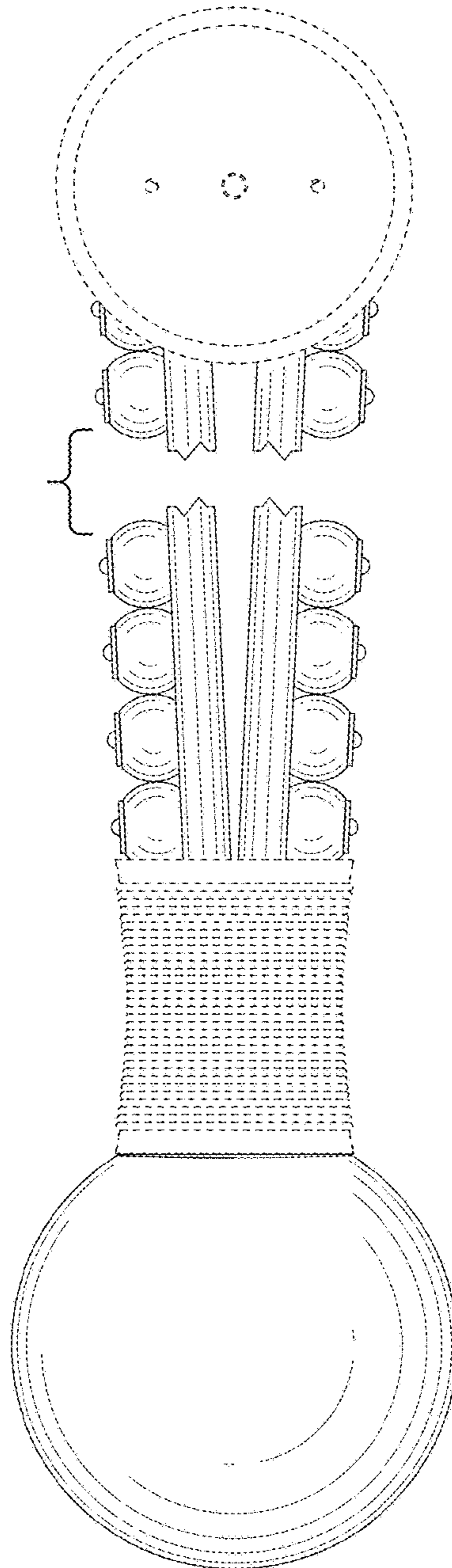


FIG. 3

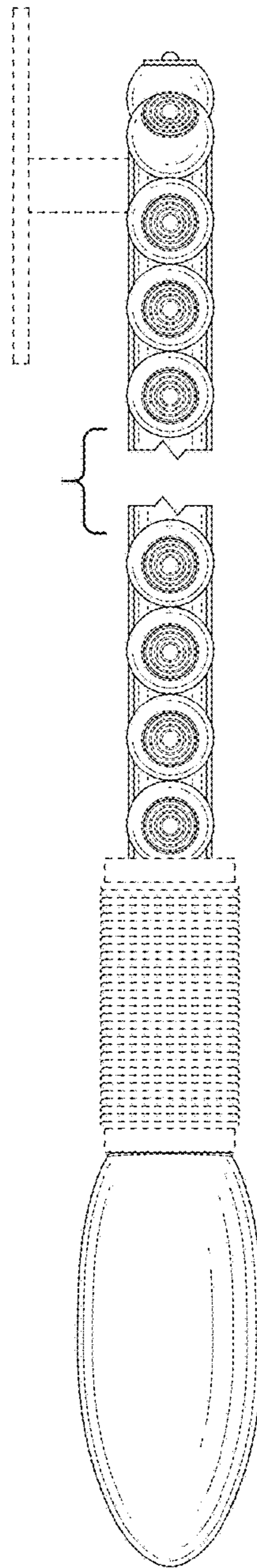


FIG.4

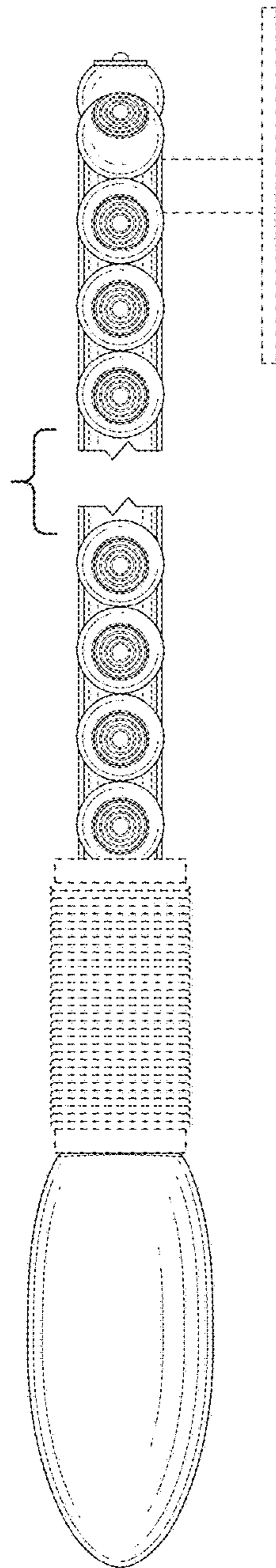


FIG. 5

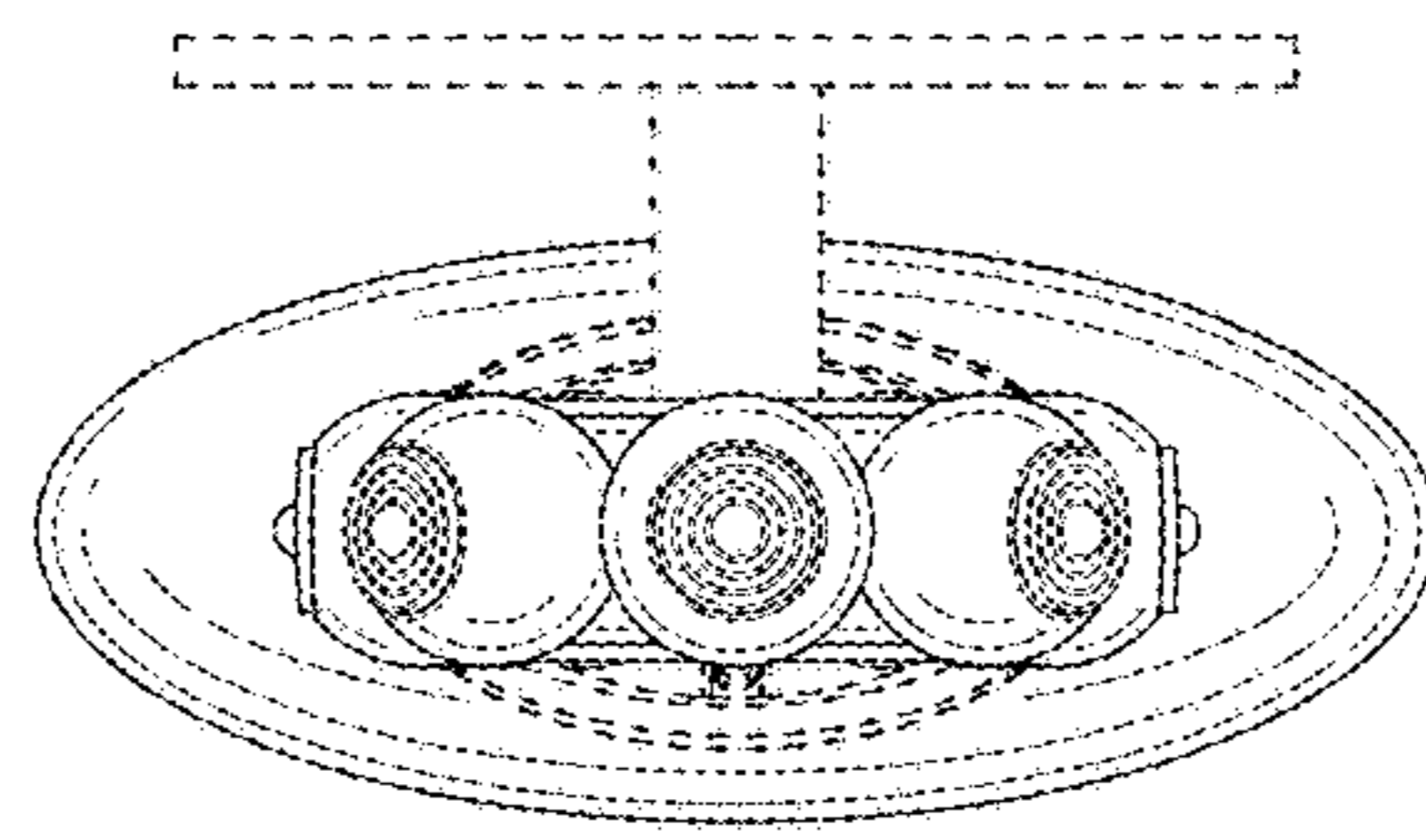


FIG. 6

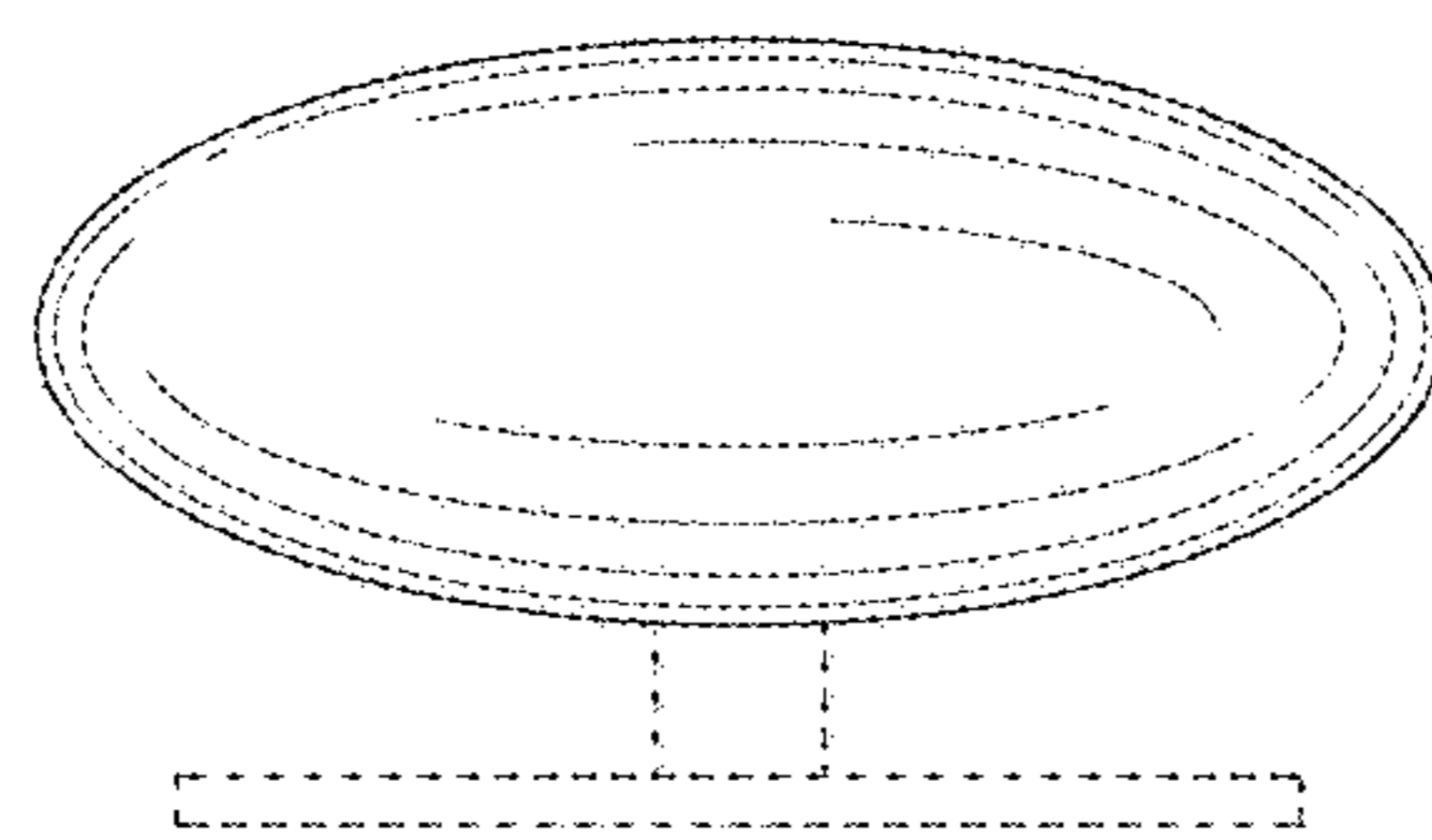


FIG. 7