



US00D839466S

(12) **United States Design Patent**
Hendifar et al.

(10) **Patent No.:** **US D839,466 S**

(45) **Date of Patent:** **** Jan. 29, 2019**

(54) **LIGHT FIXTURE**

(71) Applicant: **APPARATUS, LLC**, New York, NY
(US)

(72) Inventors: **Gabriel Hendifar**, Rhinebeck, NY
(US); **Jeremy R. Anderson**, New York,
NY (US)

(73) Assignee: **APPARATUS LLC**, New York, NY
(US)

(**) Term: **15 Years**

(21) Appl. No.: **29/639,430**

(22) Filed: **Mar. 6, 2018**

(51) **LOC (11) Cl.** **26-03**

(52) **U.S. Cl.**
USPC **D26/85; D26/89**

(58) **Field of Classification Search**
USPC D26/85, 86, 87, 92, 89, 137
CPC F21S 8/03; F21S 8/033; F21S 8/035; F21S
8/036; F21S 8/037; F21S 8/04; F21S
13/02; F21V 21/02; F21W 2121/004;
F21W 2131/109

See application file for complete search history.

(56) **References Cited**

U.S. PATENT DOCUMENTS

| | | | | |
|--------------|---------|-----------|-------|--------|
| D298,059 S * | 10/1988 | Muller | | D26/86 |
| D309,795 S * | 8/1990 | Sahlen | | D26/87 |
| D319,319 S * | 8/1991 | Von Kluck | | D26/85 |
| D569,031 S * | 5/2008 | Friedman | | D26/71 |
| D606,700 S * | 12/2009 | Sabernig | | D26/85 |
| D641,517 S * | 7/2011 | Sprengers | | D26/89 |

| | | | | |
|--------------|---------|-----------|-------|--------|
| D655,850 S * | 3/2012 | Sabernig | | D26/85 |
| D655,855 S * | 3/2012 | Sabernig | | D26/89 |
| D693,046 S * | 11/2013 | Hokazono | | D26/89 |
| D717,485 S * | 11/2014 | Lovegrove | | D26/85 |
| D747,025 S * | 1/2016 | Skira | | D26/85 |
| D747,531 S * | 1/2016 | Skira | | D26/85 |
| D792,008 S * | 7/2017 | Sonneman | | D26/85 |

OTHER PUBLICATIONS

Sonneman "Orion" semi-flushmount 30" ceiling light fixture. Found at eurostylelighting.com visited Aug. 5, 2010. (Year: 2010).*
"Slide" wall or ceiling wet location 4½" wide light fixture. Found at eurostylelighting.com visited Aug. 5, 2010. (Year: 2010).*
"Disk" collection Energy Star® 10½" wide ceiling light. Found at eurostylelighting.com visited Aug. 5, 2010. (Year: 2010).*

* cited by examiner

Primary Examiner — Clare E Hefflin

(74) *Attorney, Agent, or Firm* — Gottlieb, Rackman & Reisman, P.C.

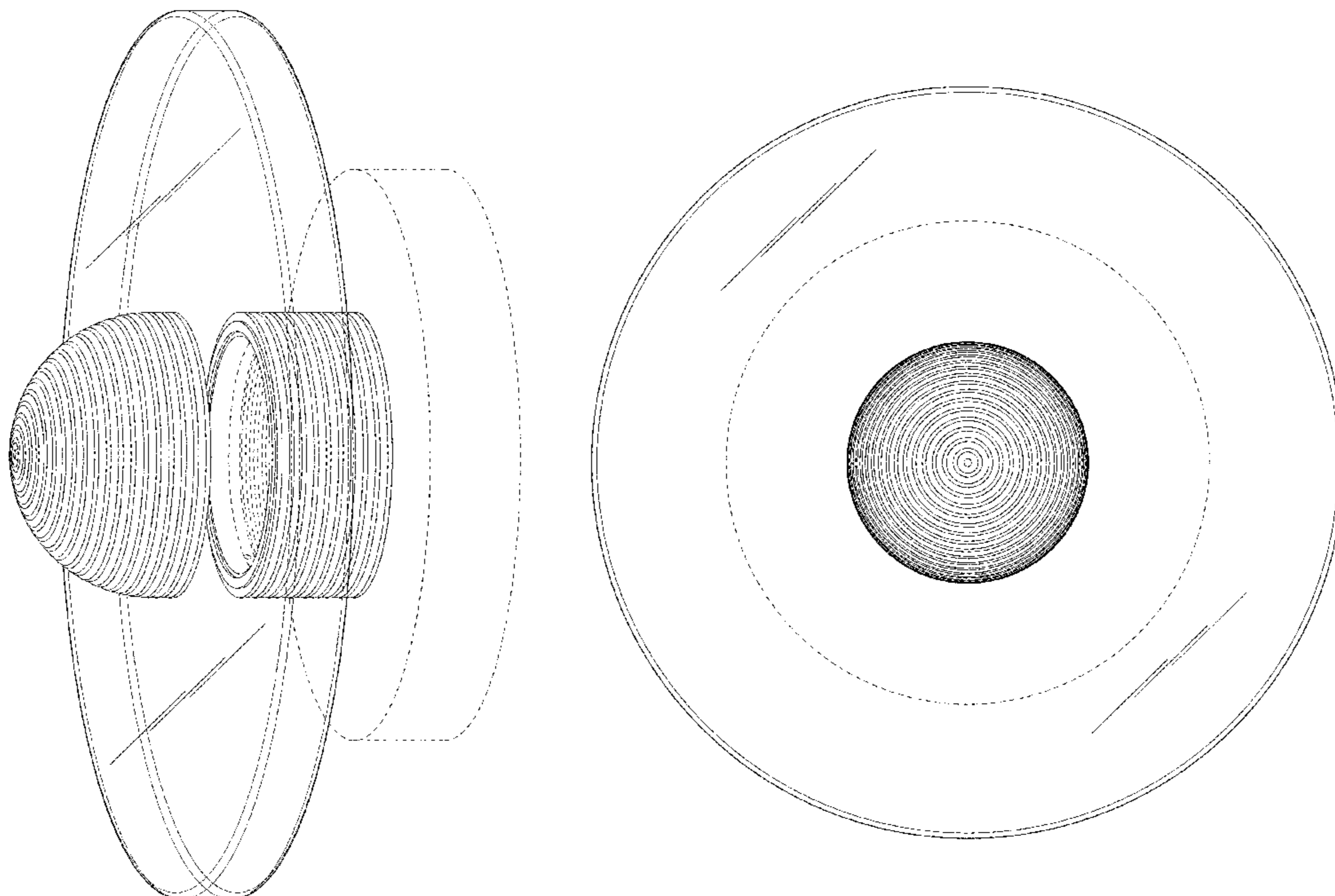
(57) **CLAIM**

The ornamental design for a light fixture, as shown and described.

DESCRIPTION

FIG. 1 is a perspective view showing our new design; FIG. 2 is top plan view thereof; FIG. 3 is a bottom plan view thereof; and, FIG. 4 is a front elevational view thereof, the rear and side elevational views being identical. The broken lines shown in the drawings are included for the purpose of illustrating portions of the light fixture that form no part of the claimed design.

1 Claim, 4 Drawing Sheets



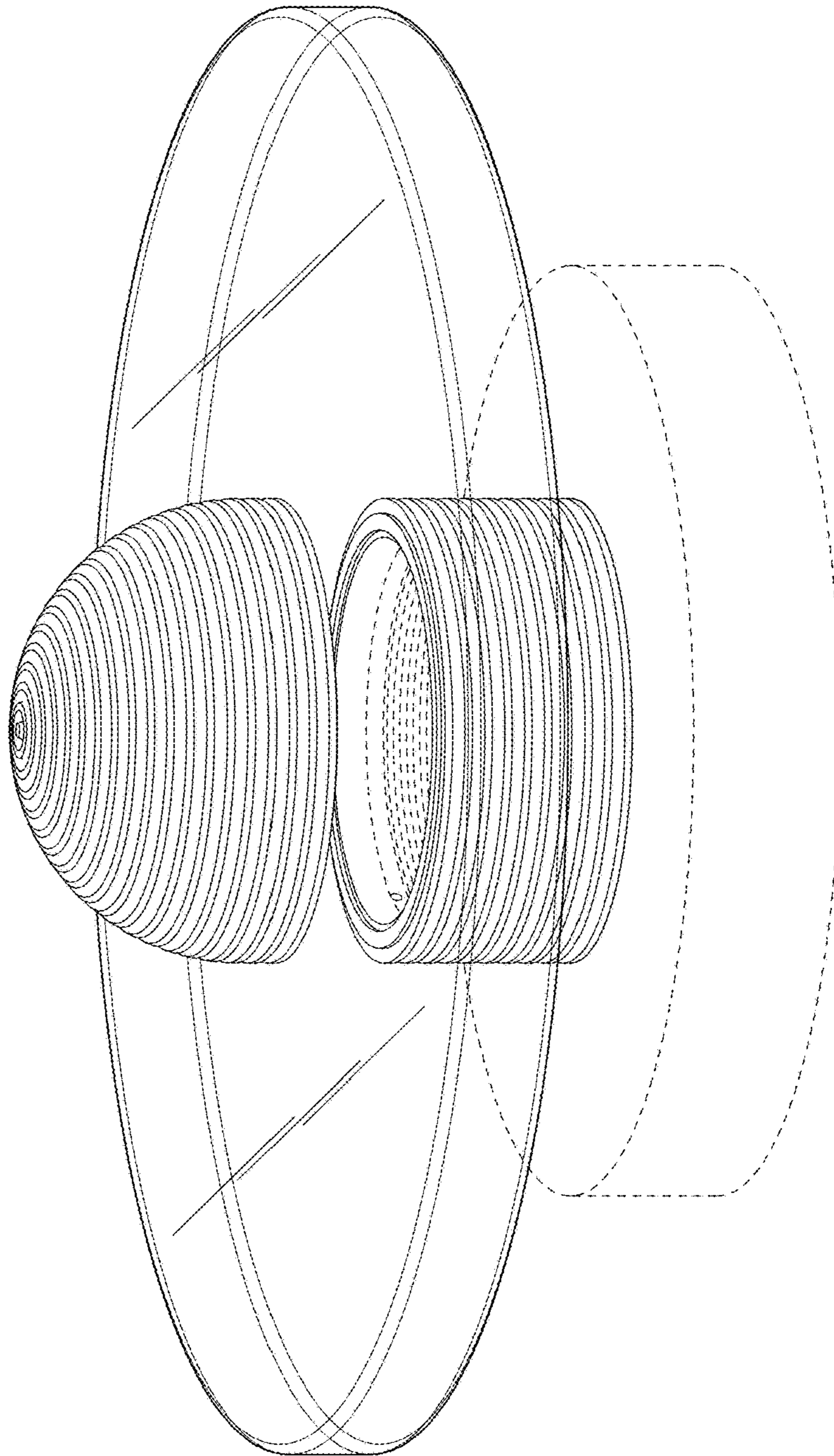


FIG. 1

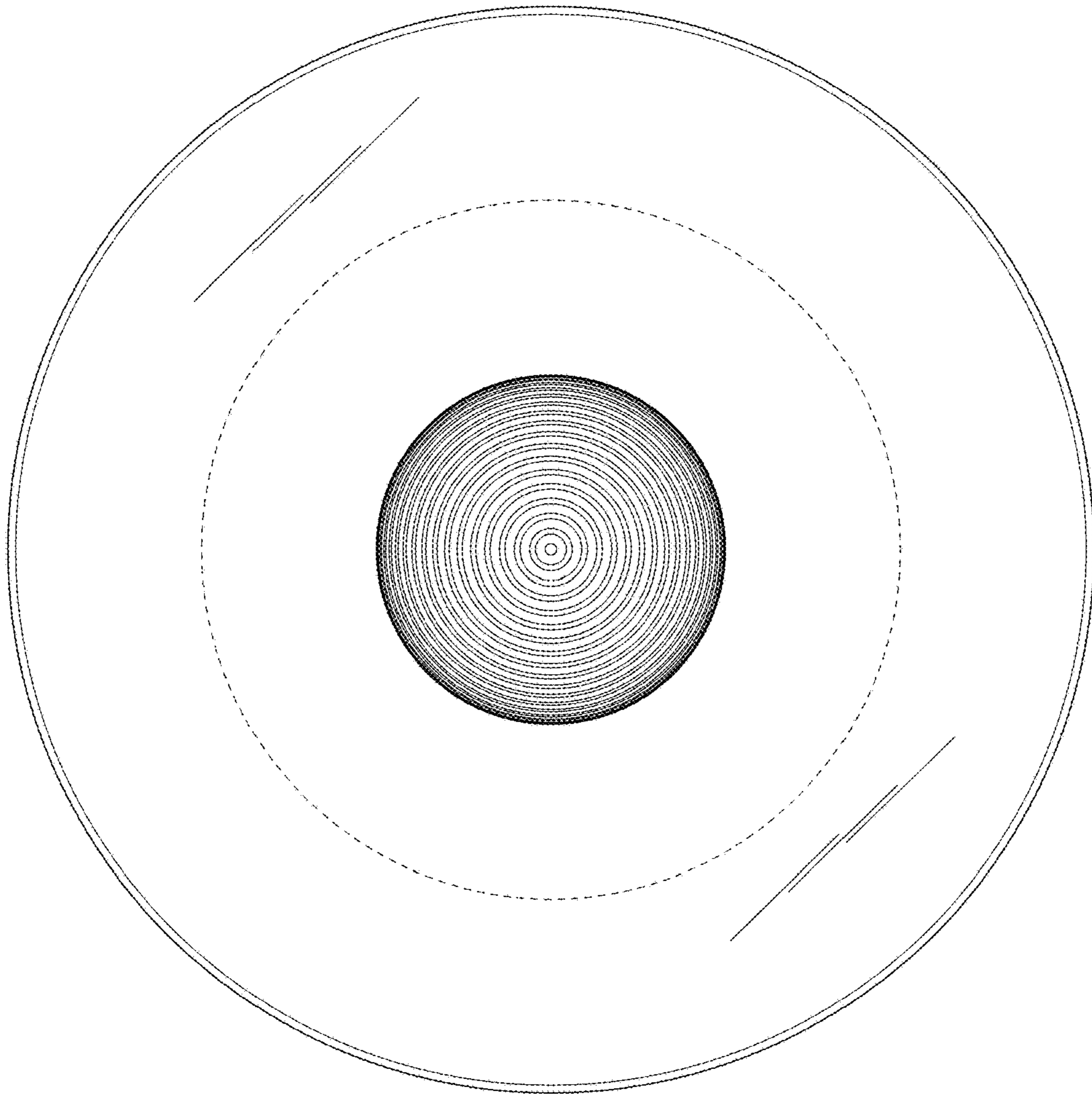


FIG. 2

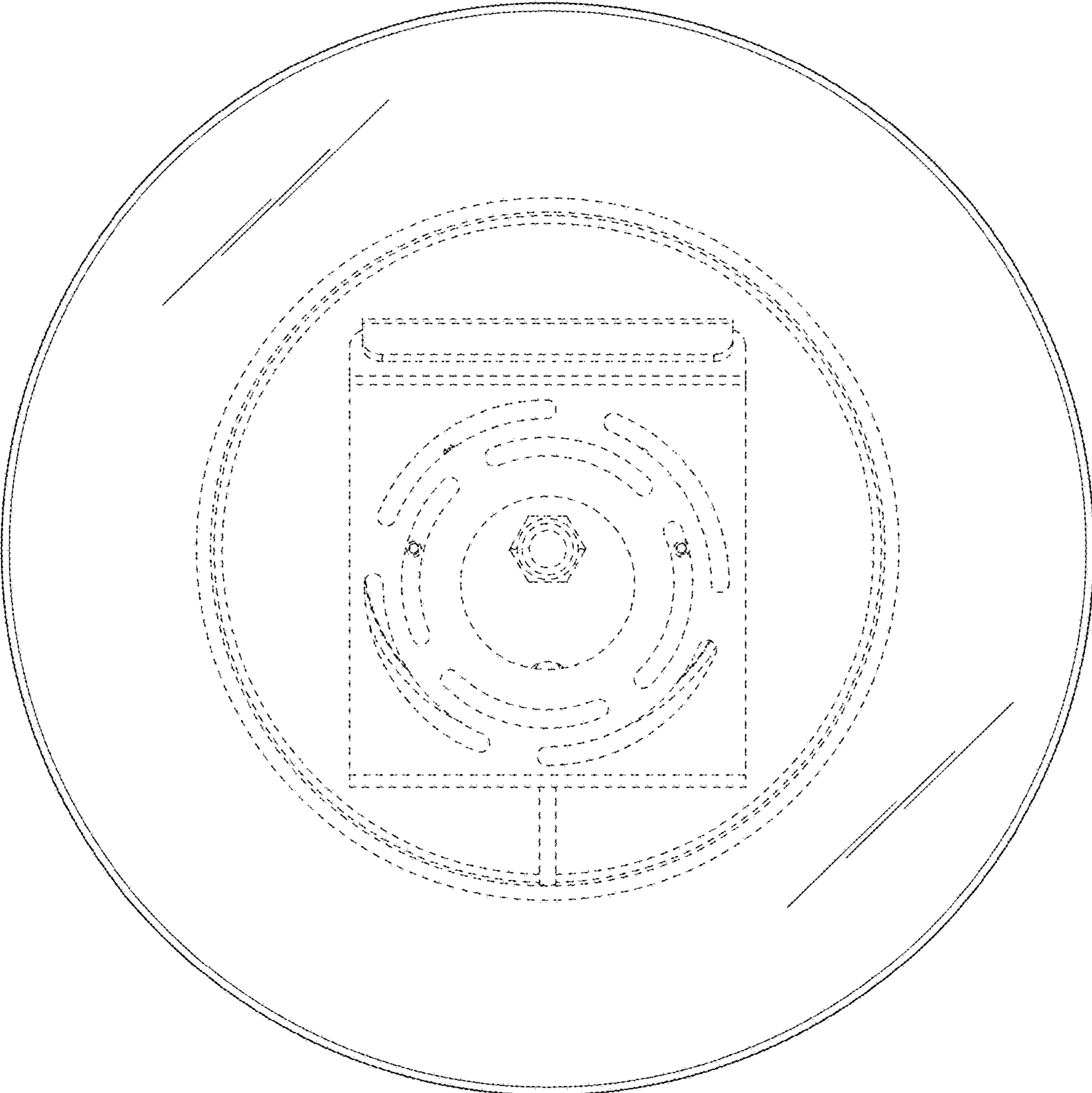


FIG. 3

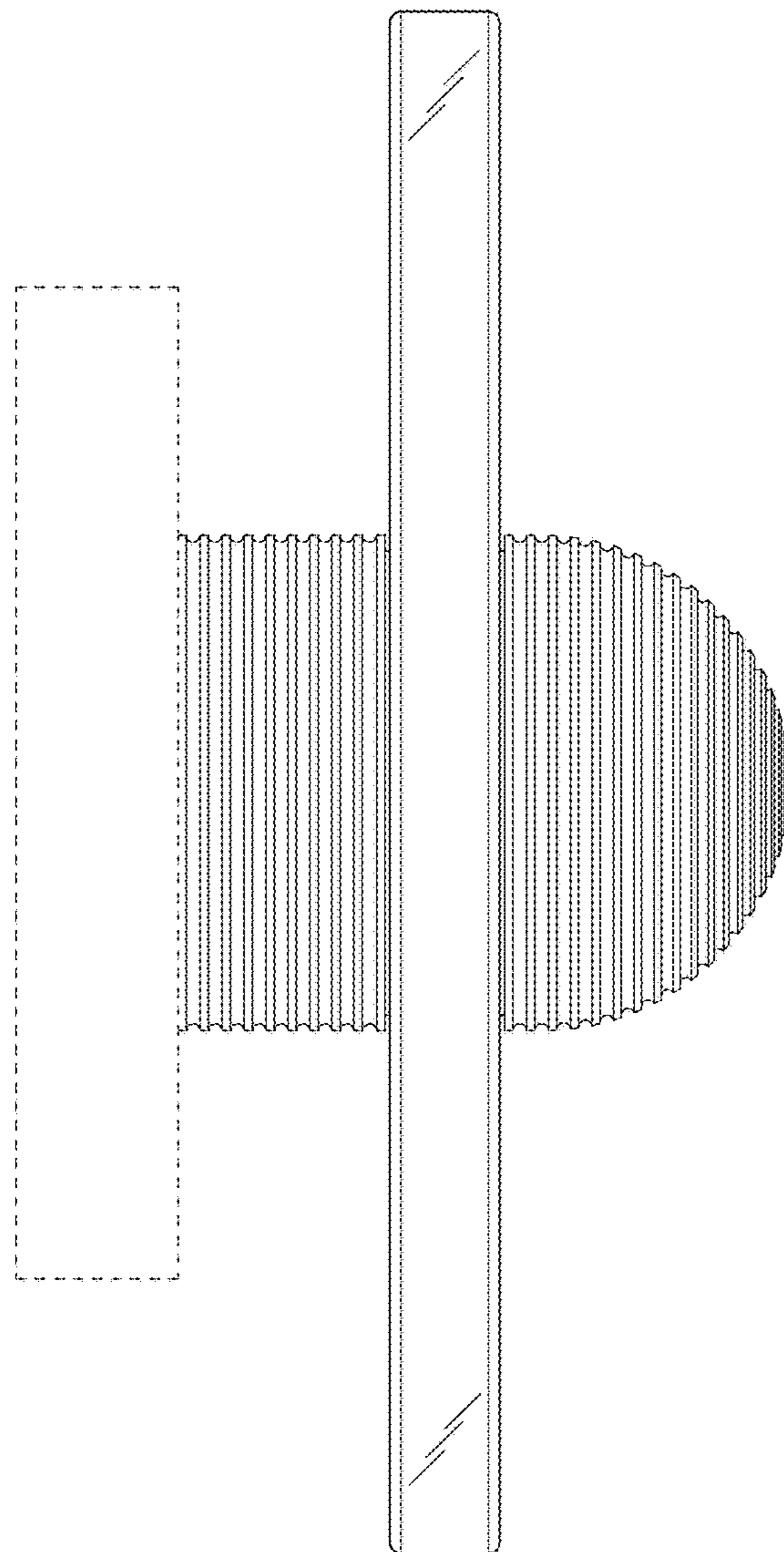


FIG.4