



US00D839464S

(12) **United States Design Patent**
Chen et al.

(10) **Patent No.:** **US D839,464 S**
(45) **Date of Patent:** **** Jan. 29, 2019**

(54) **LED STREET LAMP**

(71) Applicant: **HANGZHOU HPWINNER OPTO CORPORATION**, Hangzhou (CN)

(72) Inventors: **Kai Chen**, Hangzhou (CN); **Jianming Huang**, Hangzhou (CN)

(73) Assignee: **HANGZHOU HPWINNER OPTO CORPORATION**, Hangzhou (CN)

(**) Term: **15 Years**

(21) Appl. No.: **29/577,345**

(22) Filed: **Sep. 12, 2016**

(51) **LOC (11) Cl.** **26-05**

(52) **U.S. Cl.**
USPC **D26/71; D26/63**

(58) **Field of Classification Search**
USPC D26/63, 67-72, 87, 92, 118
CPC .. F21S 8/085; F21S 8/086; F21S 8/068; F21S 9/03; F21S 9/037; F21W 2131/103; F21W 2131/107; F21W 2131/109
See application file for complete search history.

(56) **References Cited**

U.S. PATENT DOCUMENTS

D698,479 S *	1/2014	Soni	D26/71
D709,634 S *	7/2014	Coulbeaut	D26/71
D709,635 S *	7/2014	Coulbeaut	D26/71
D742,574 S *	11/2015	Bembridge	D26/71
D743,606 S *	11/2015	Cariboni	D26/71
D760,937 S *	7/2016	Jurdana	D26/71
D765,298 S *	8/2016	Frisee	D26/71

D767,196 S *	9/2016	Duckworth	D26/92
D773,096 S *	11/2016	Zhu	D26/71
D806,302 S *	12/2017	Long	D26/63
2015/0362172 A1 *	12/2015	Gabriel	F21S 8/086 348/151
2017/0114986 A1 *	4/2017	Girouard	F21V 31/005

* cited by examiner

Primary Examiner — Clare E Heflin

(74) *Attorney, Agent, or Firm* — Plumsea Law Group, LLC

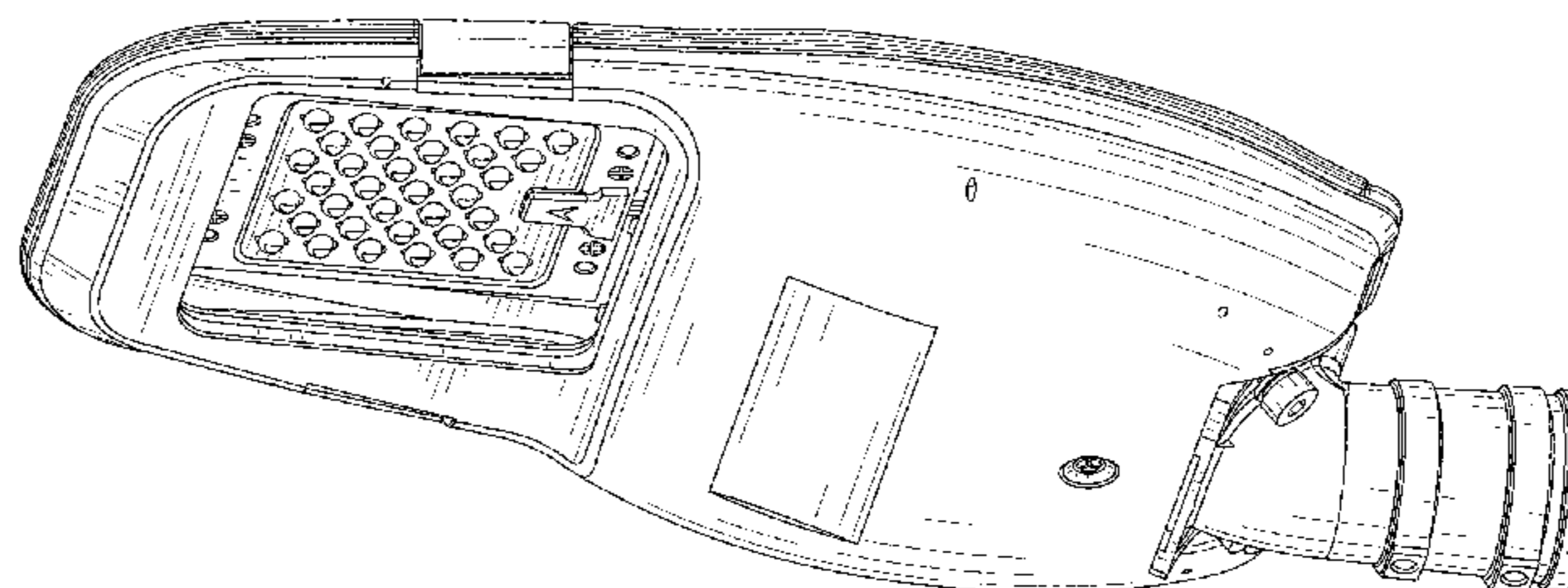
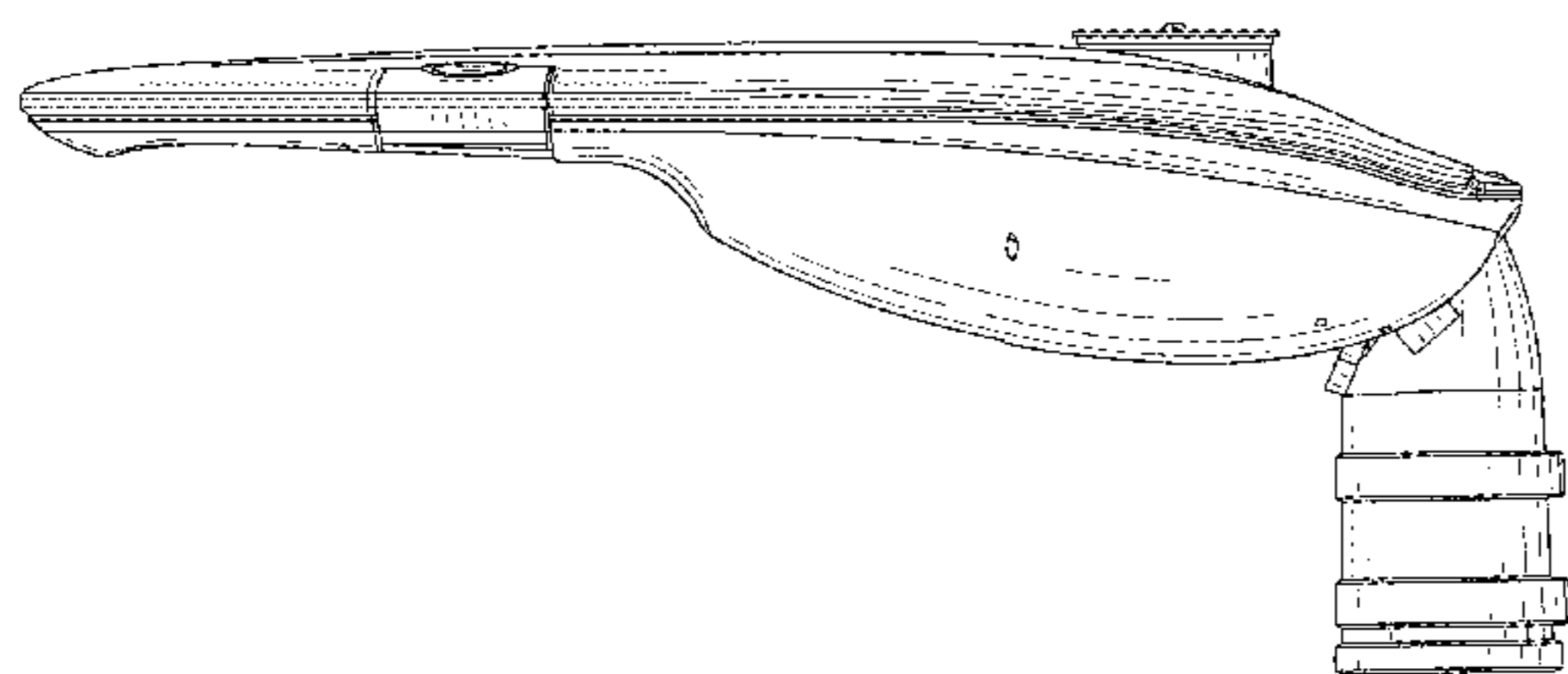
(57) **CLAIM**

The ornamental design for an LED street lamp, as shown and described.

DESCRIPTION

FIG. 1 is a perspective view of the LED street lamp showing the new design;
FIG. 2 is a left side view of FIG. 1;
FIG. 3 is a right side view of FIG. 1;
FIG. 4 is a front view of FIG. 1;
FIG. 5 is a rear view of FIG. 1;
FIG. 6 is a top plan view of FIG. 1;
FIG. 7 is a bottom plan view of FIG. 1;
FIG. 8 is a perspective view of FIG. 1 showing the LED street lamp in another position;
FIG. 9 is a left side view of FIG. 8;
FIG. 10 is a right side view of FIG. 8;
FIG. 11 is a front view of FIG. 8;
FIG. 12 is a rear view of FIG. 8;
FIG. 13 is a top plan view of FIG. 8; and,
FIG. 14 is a bottom plan view of FIG. 8.

1 Claim, 10 Drawing Sheets



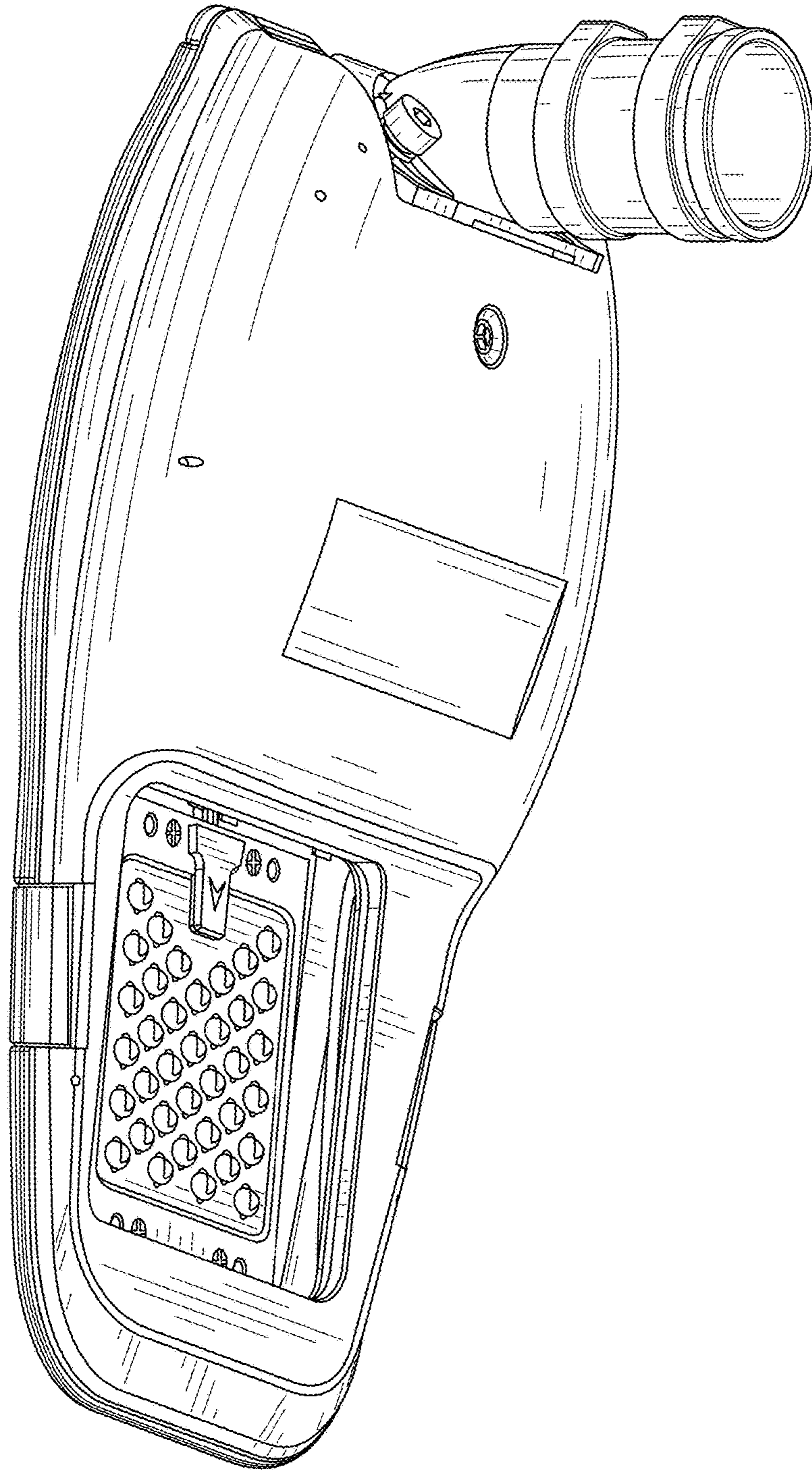


FIG. 1

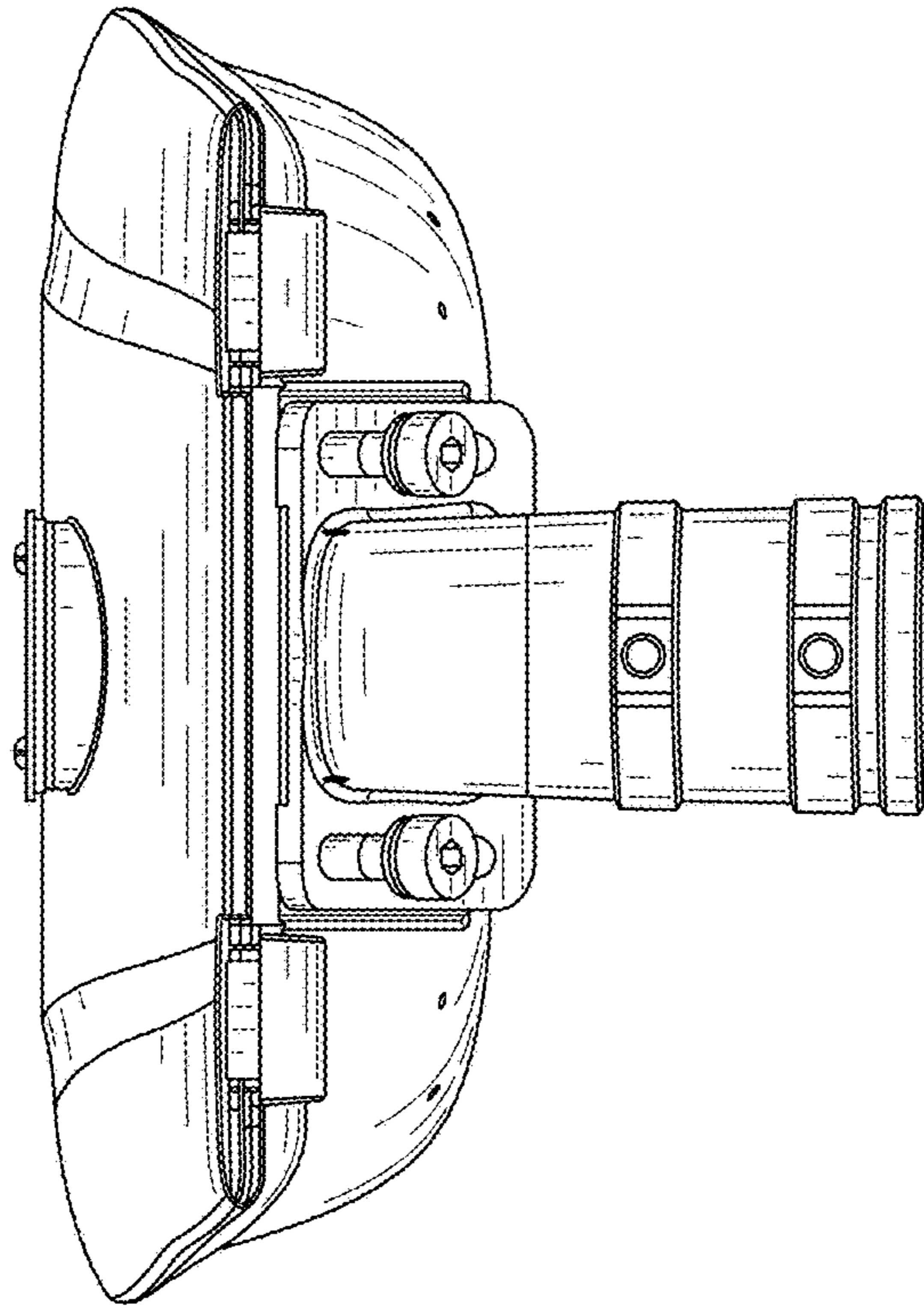


FIG. 2

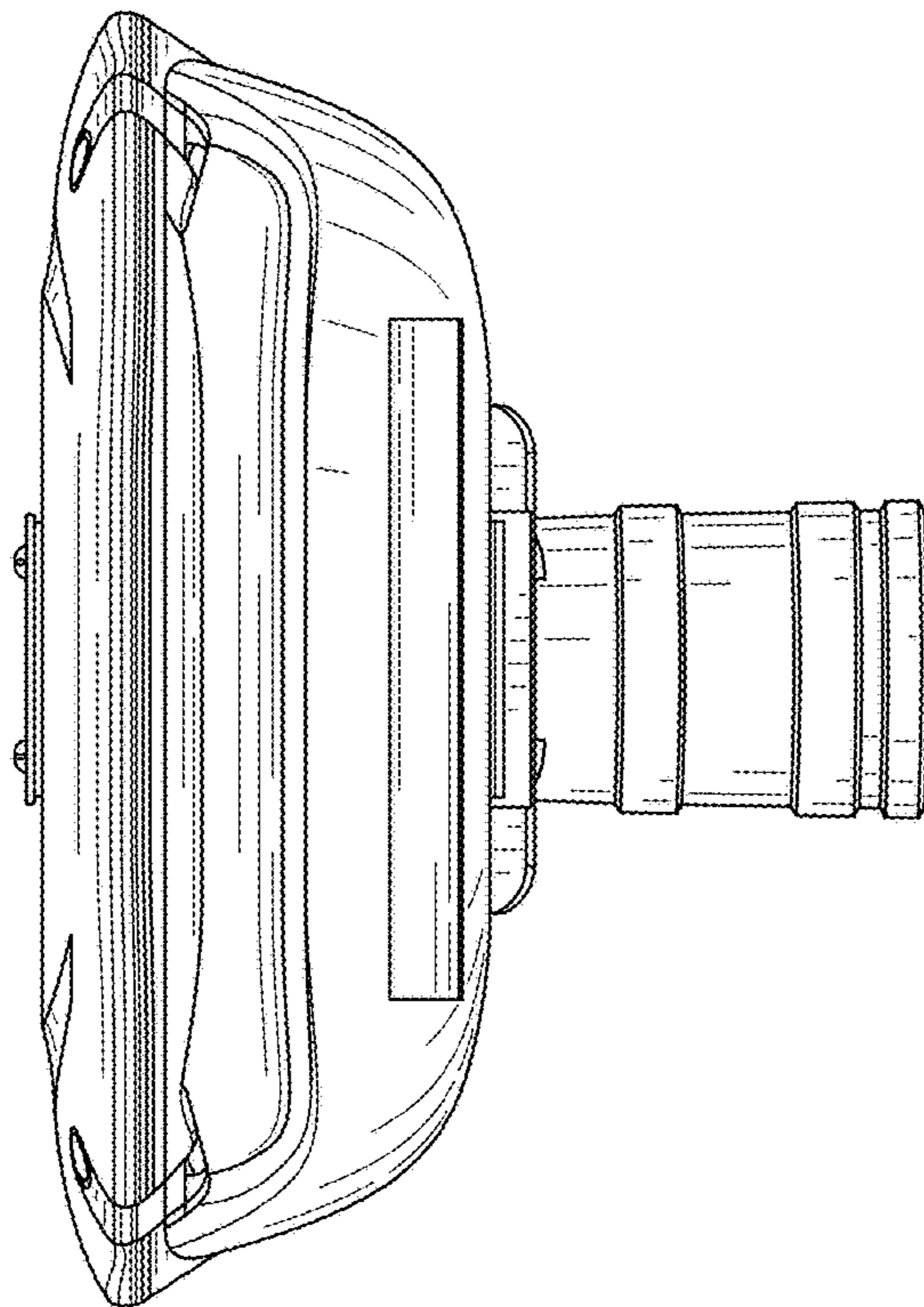


FIG. 3

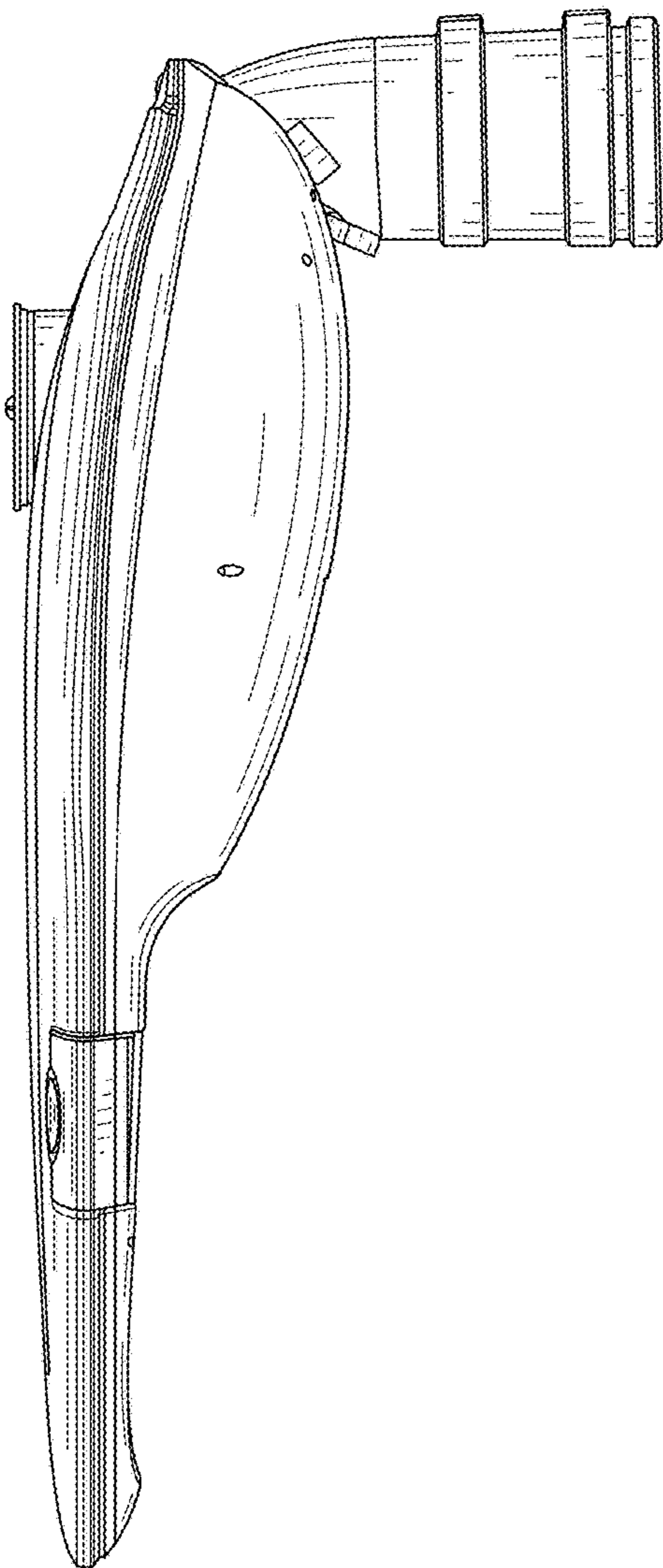


FIG. 4

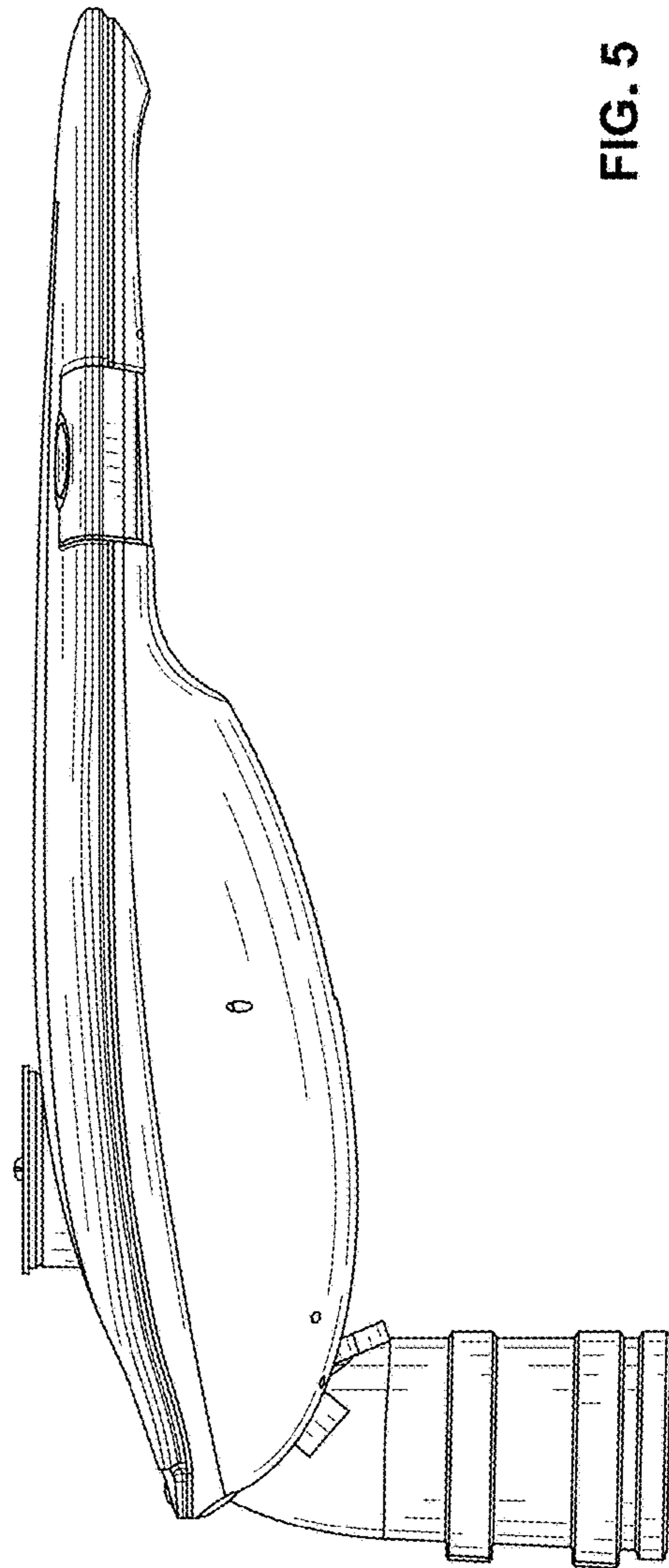


FIG. 5

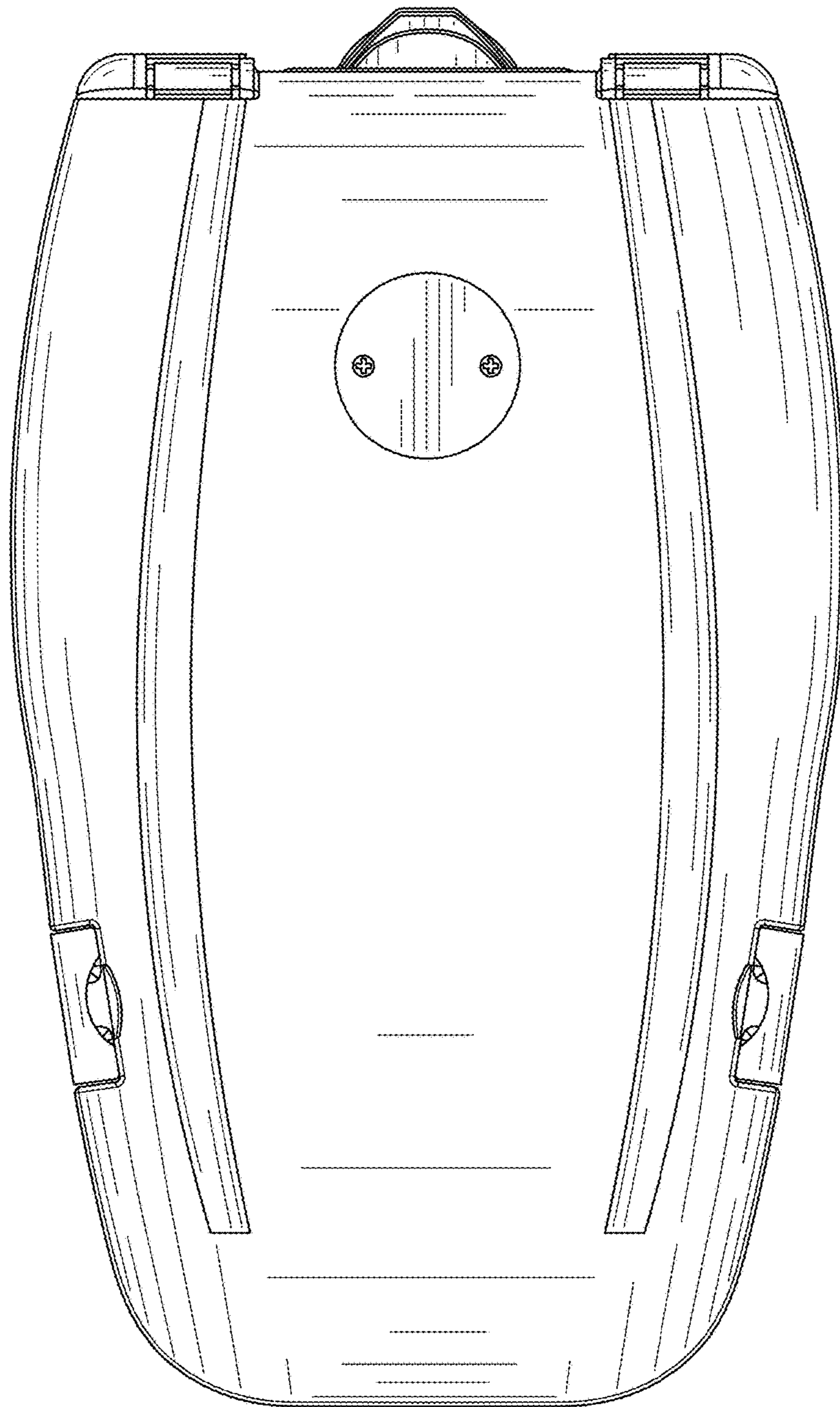


FIG. 6

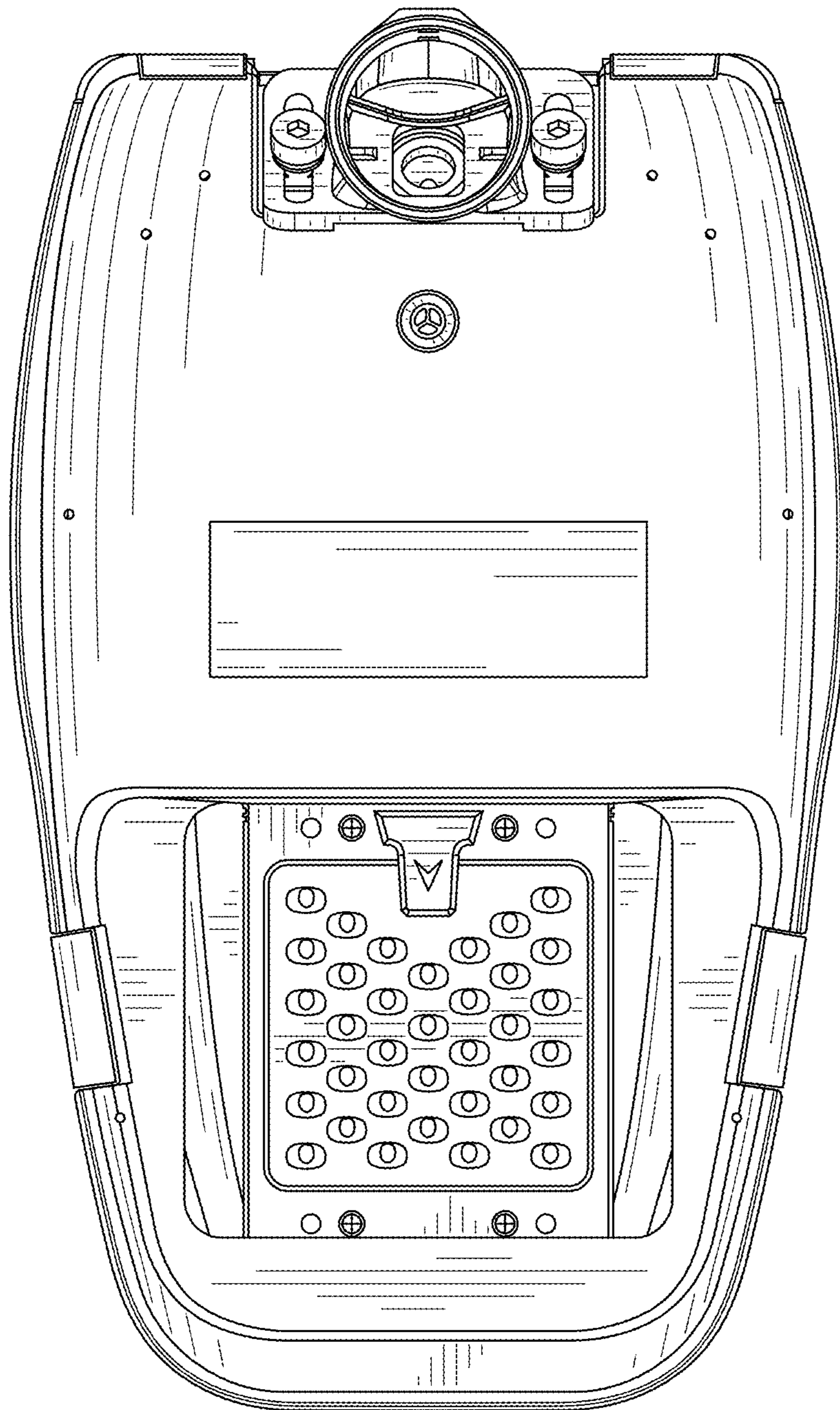


FIG. 7

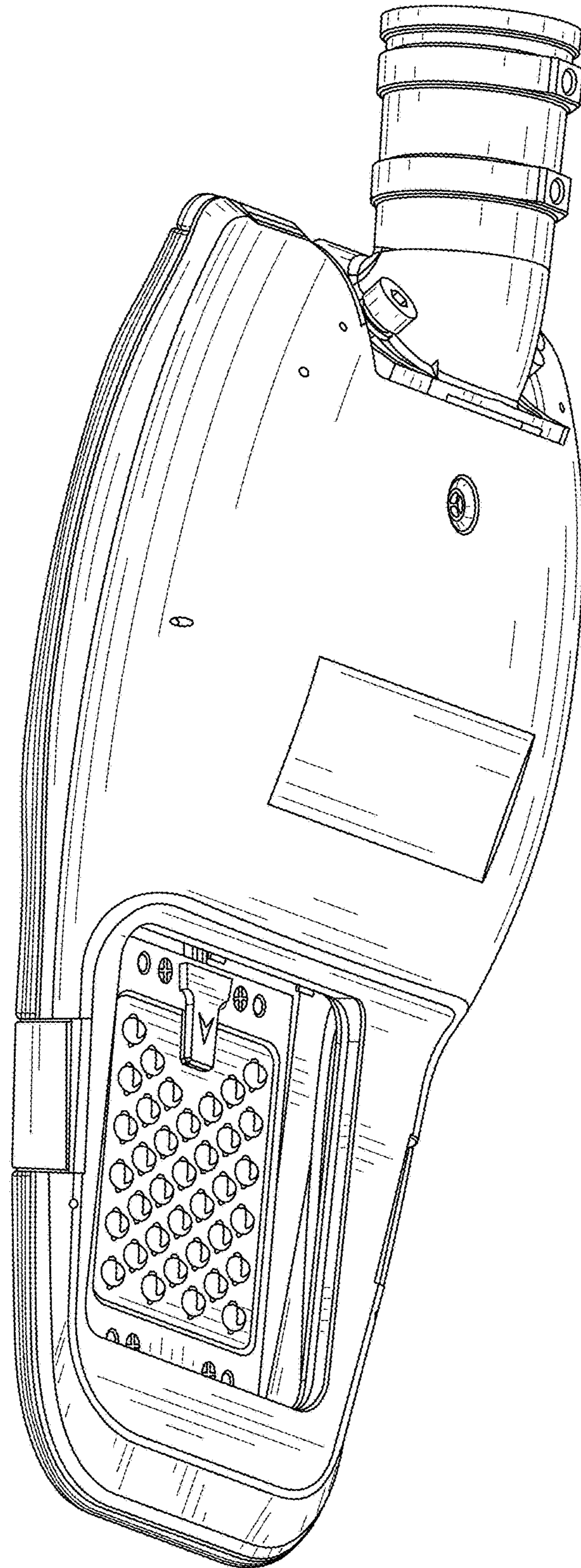


FIG. 8

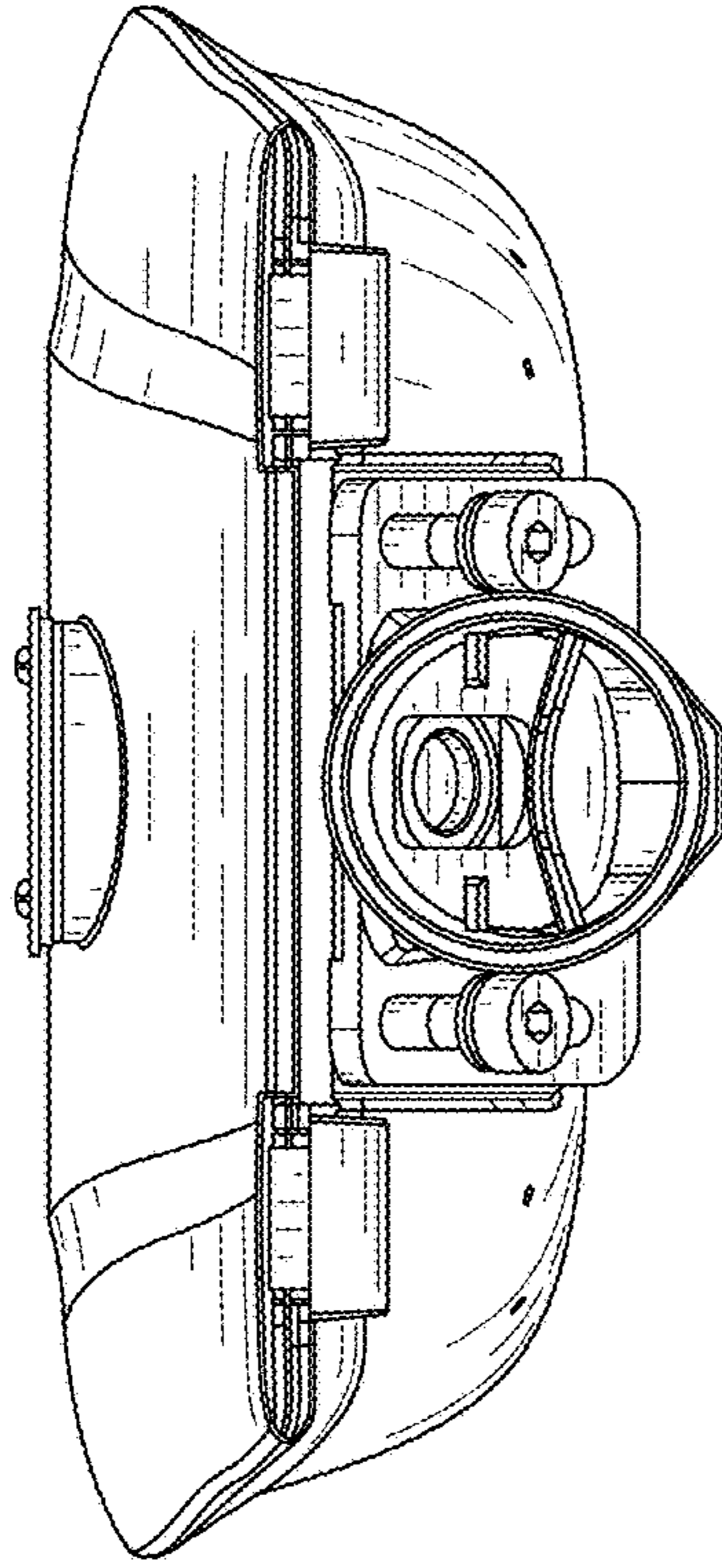


FIG. 9

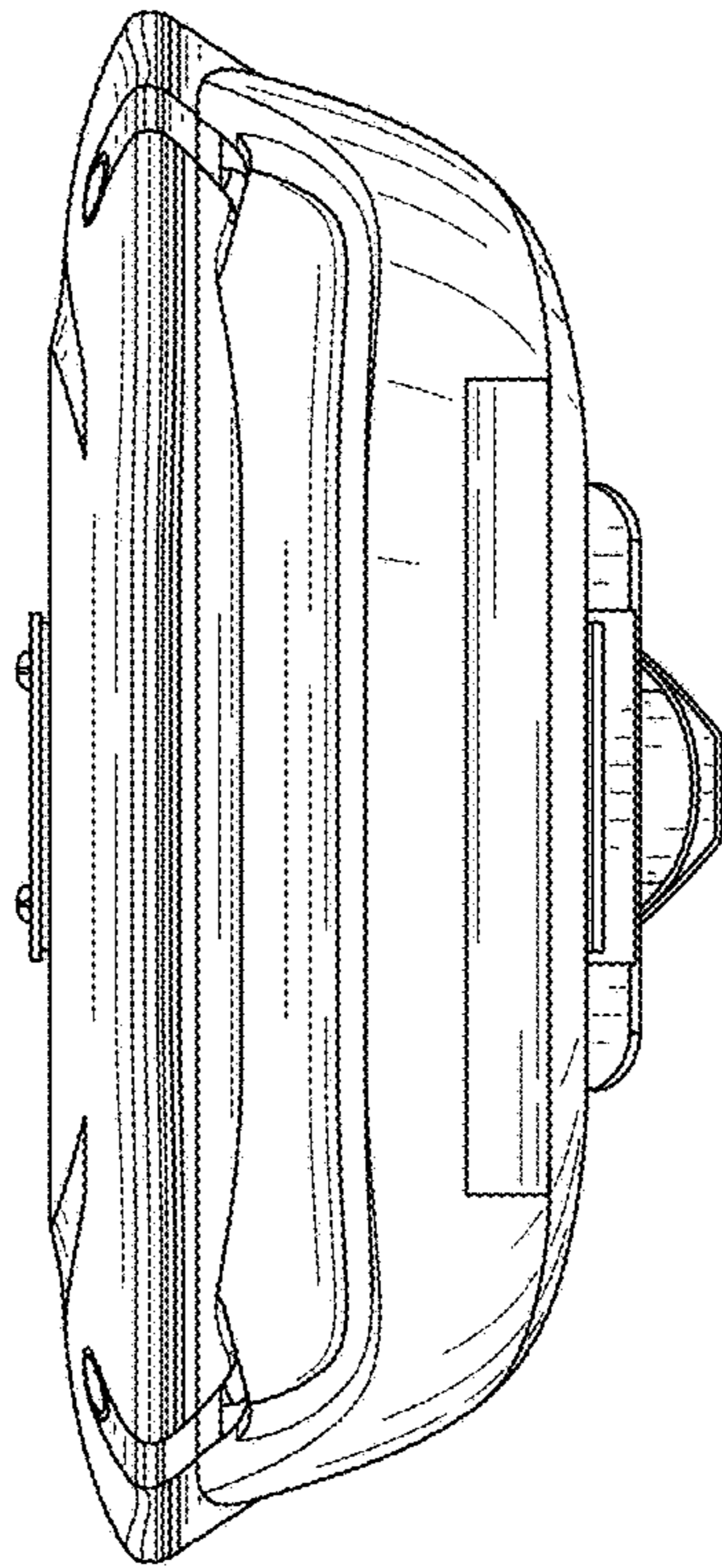


FIG. 10

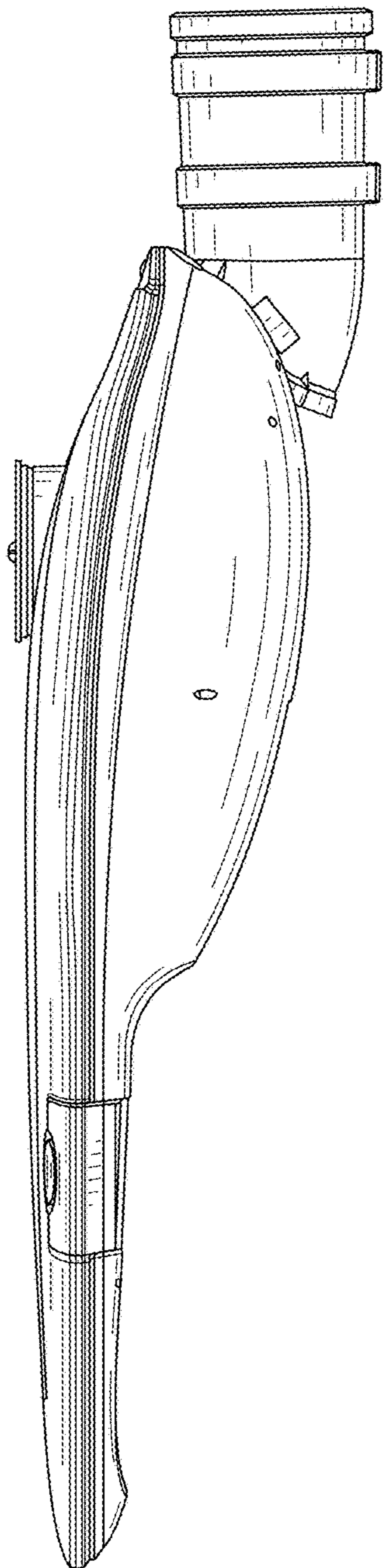


FIG. 11

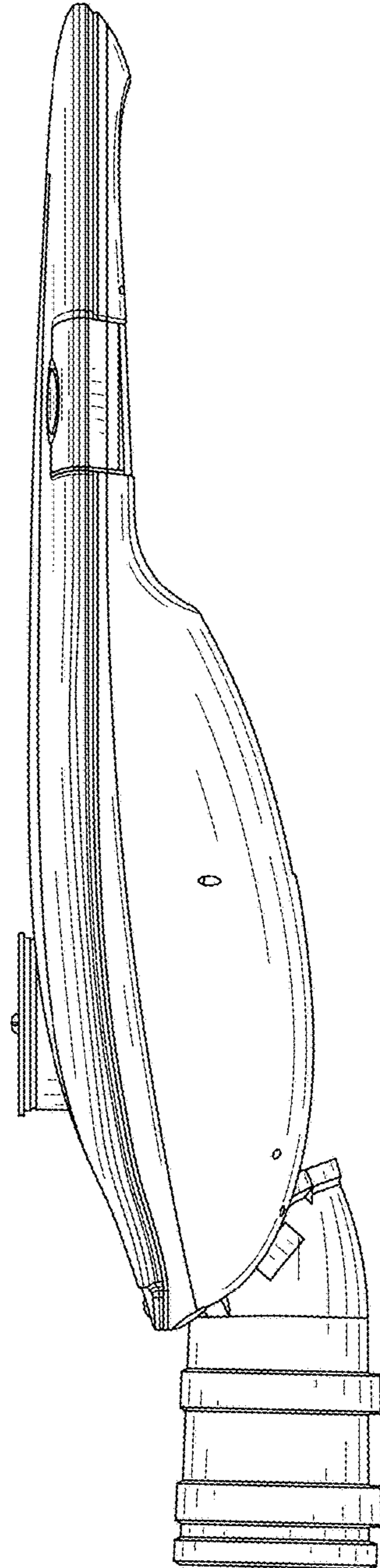


FIG. 12

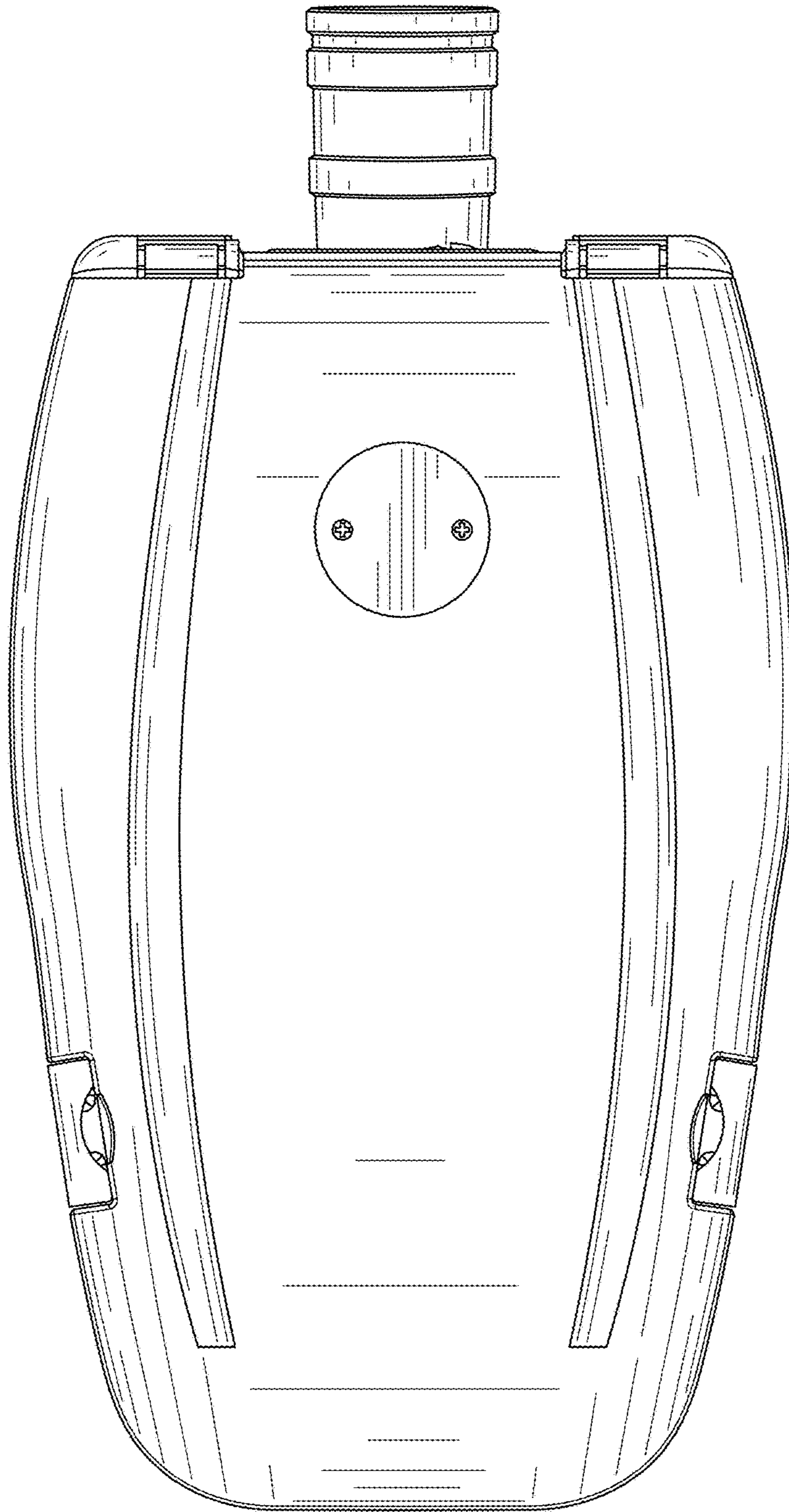


FIG. 13

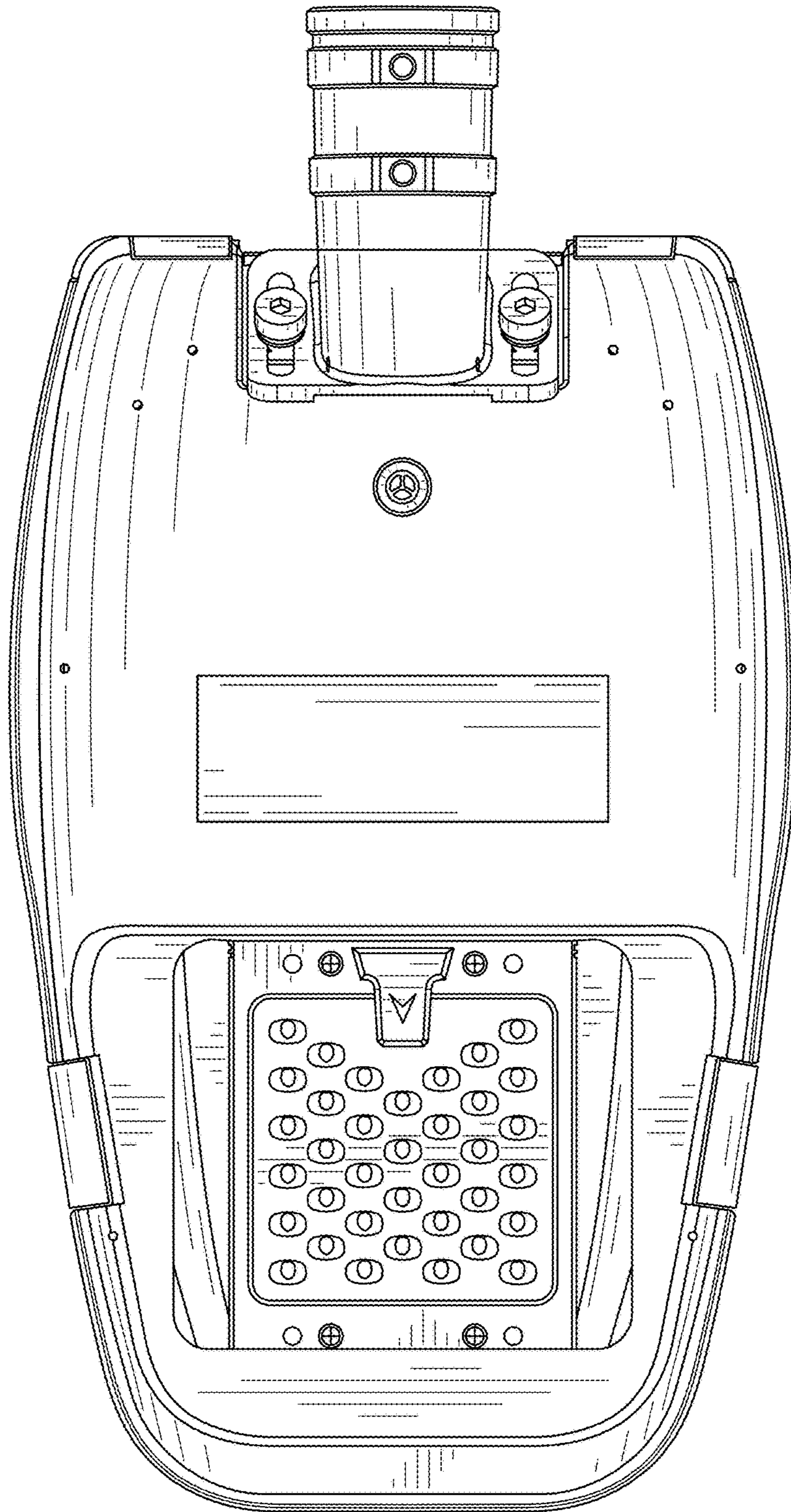


FIG. 14