



US00D839458S

(12) **United States Design Patent**
Ting et al.

(10) **Patent No.:** **US D839,458 S**

(45) **Date of Patent:** **** Jan. 29, 2019**

(54) **VEHICLE LAMP**

(71) Applicant: **MIN HSIANG CORPORATION,**
Tainan (TW)

(72) Inventors: **Ming-Hung Ting,** Tainan (TW);
Chih-Wei Shih, Tainan (TW)

(73) Assignee: **Min Hsiang Corporation,** Tainan (TW)

(**) Term: **15 Years**

(21) Appl. No.: **29/629,282**

(22) Filed: **Dec. 12, 2017**

(51) **LOC (11) Cl.** **26-06**

(52) **U.S. Cl.**
USPC **D26/28**

(58) **Field of Classification Search**
USPC D26/28-36
CPC F21S 48/00; F21S 48/10; F21S 48/1266;
F21S 48/1388; F21S 48/2268; F21V
21/04

See application file for complete search history.

(56) **References Cited**

U.S. PATENT DOCUMENTS

D643,955 S * 8/2011 Tsai D26/28
D695,433 S * 12/2013 Mascadri D26/28
D709,226 S * 7/2014 DiPenti F21V 23/02
D26/28
D760,406 S * 6/2016 Huang D26/28

D760,932 S * 7/2016 Huang D26/28
D769,491 S * 10/2016 Lai D26/28
D770,652 S * 11/2016 Lai D26/28
D772,450 S * 11/2016 Ma D26/28
D772,451 S * 11/2016 Ma D26/28
D772,452 S * 11/2016 Zhang D26/28
D788,958 S * 6/2017 Ko D26/28
D793,592 S * 8/2017 Chen D26/28
D796,095 S * 8/2017 Huang D26/28
D811,633 S * 2/2018 Gould D26/28
D821,634 S * 6/2018 Wu D26/120

* cited by examiner

Primary Examiner — Mark A Goodwin

Assistant Examiner — Benjamin M Weeks

(74) *Attorney, Agent, or Firm* — LeClairRyan

(57) **CLAIM**

The ornamental design for a vehicle lamp, as shown and described.

DESCRIPTION

FIG. 1 is a perspective view of a vehicle lamp showing our new design;

FIG. 2 is a front elevational view thereof;

FIG. 3 is a rear elevational view thereof;

FIG. 4 is a left side elevational view thereof;

FIG. 5 is a right side elevational view thereof;

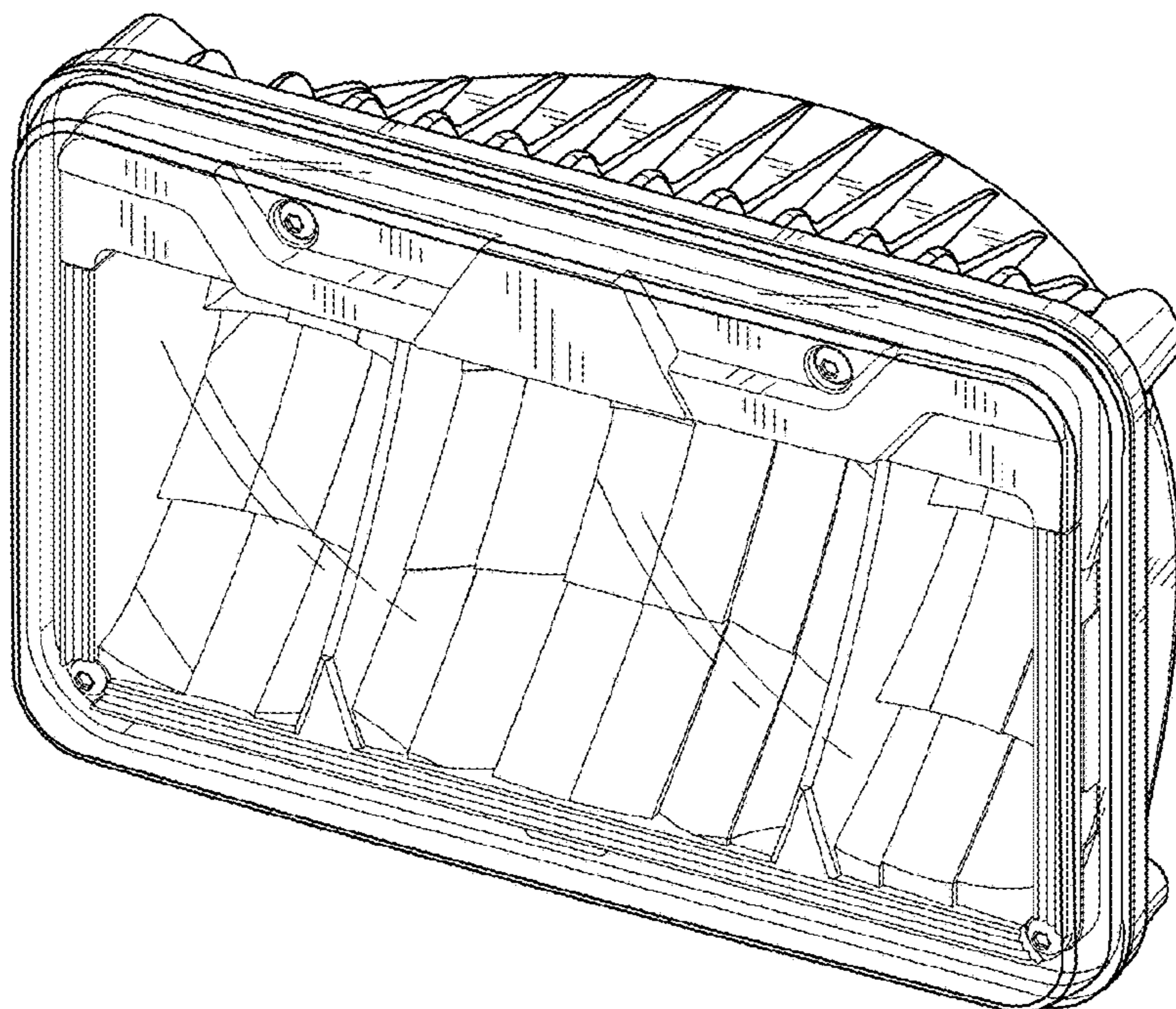
FIG. 6 is a top plan view thereof;

FIG. 7 is a bottom plan view thereof;

FIG. 8 is another perspective view thereof; and,

FIG. 9 is still another perspective view thereof.

1 Claim, 6 Drawing Sheets



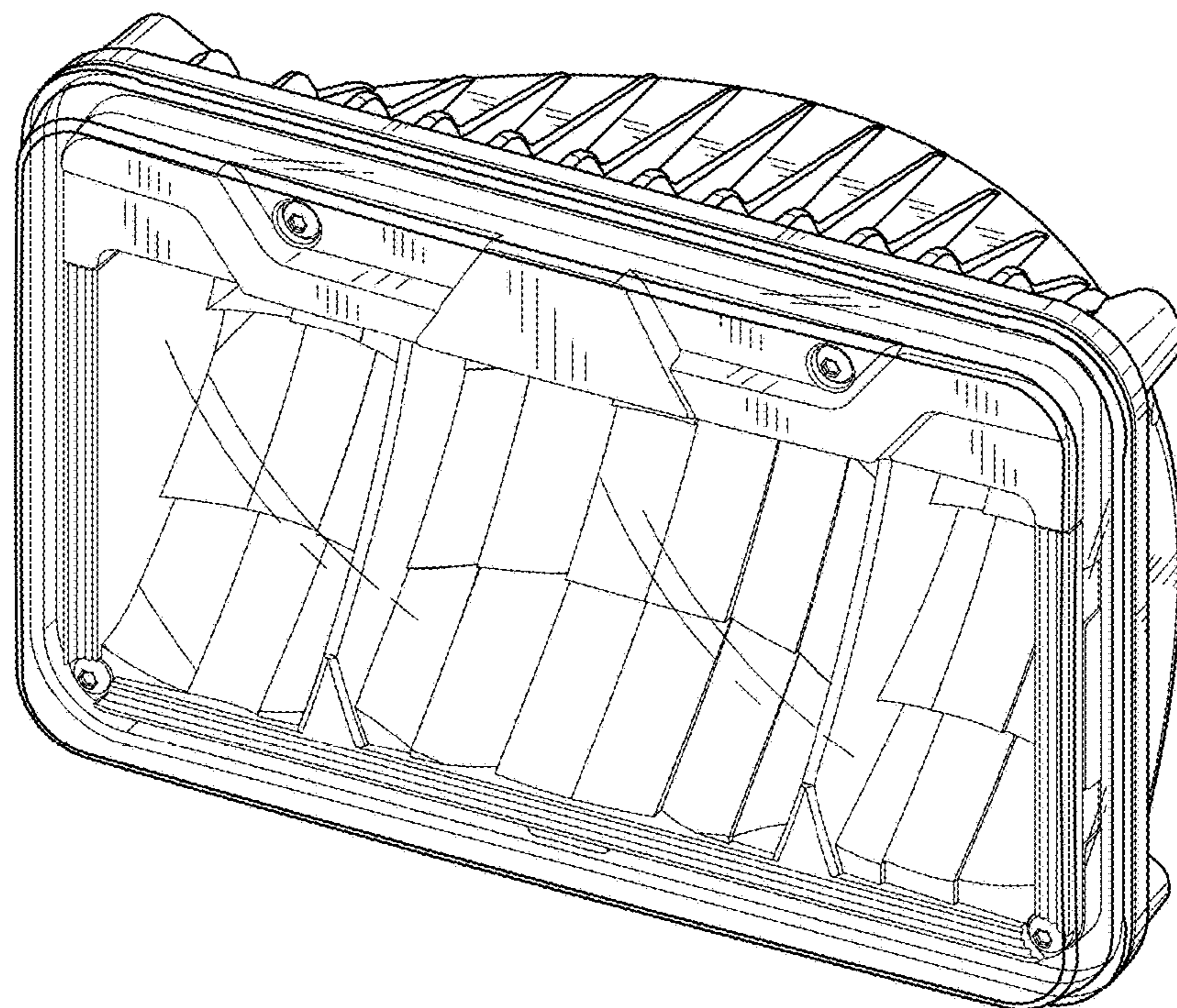


FIG.1

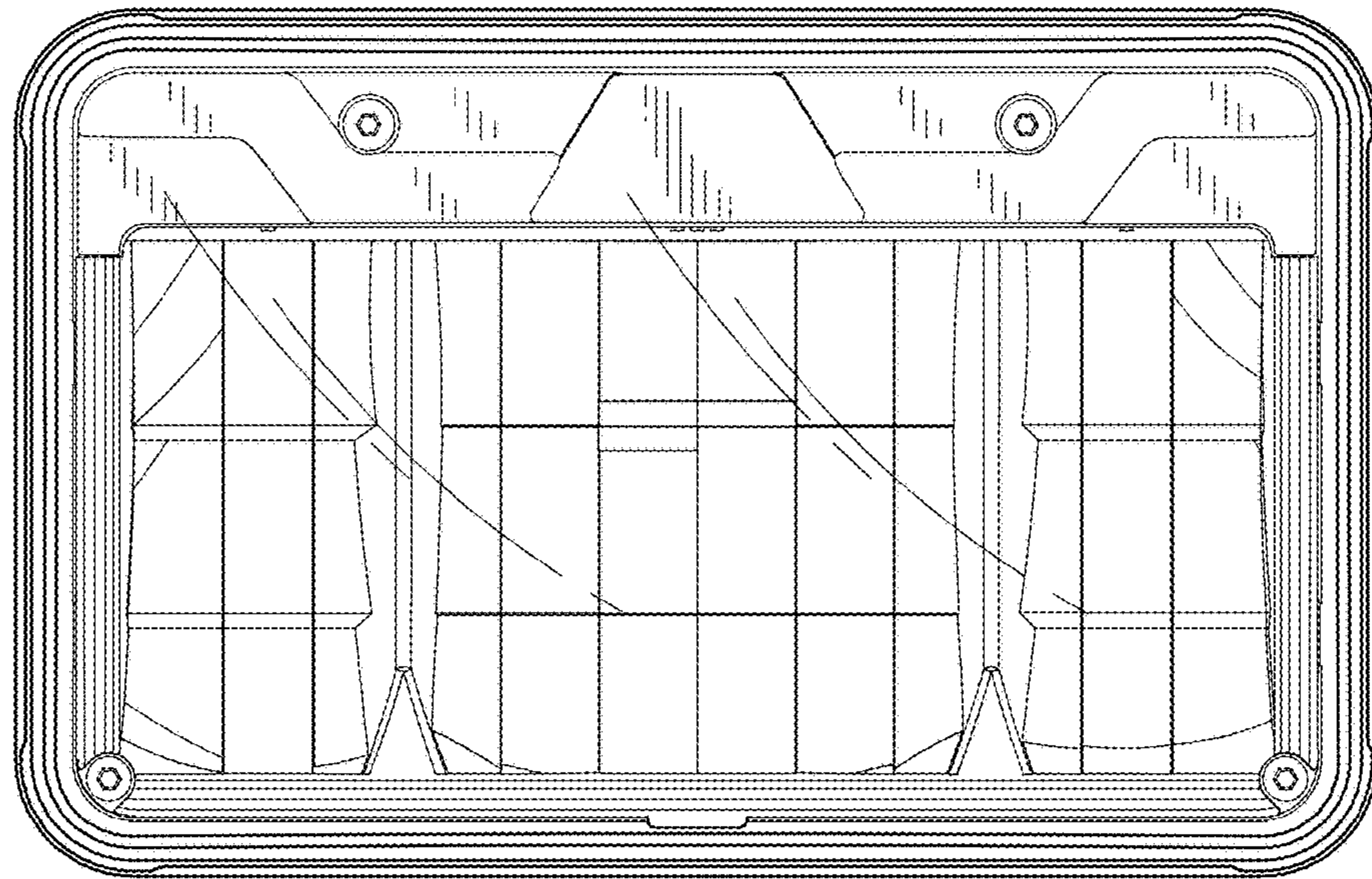


FIG. 2

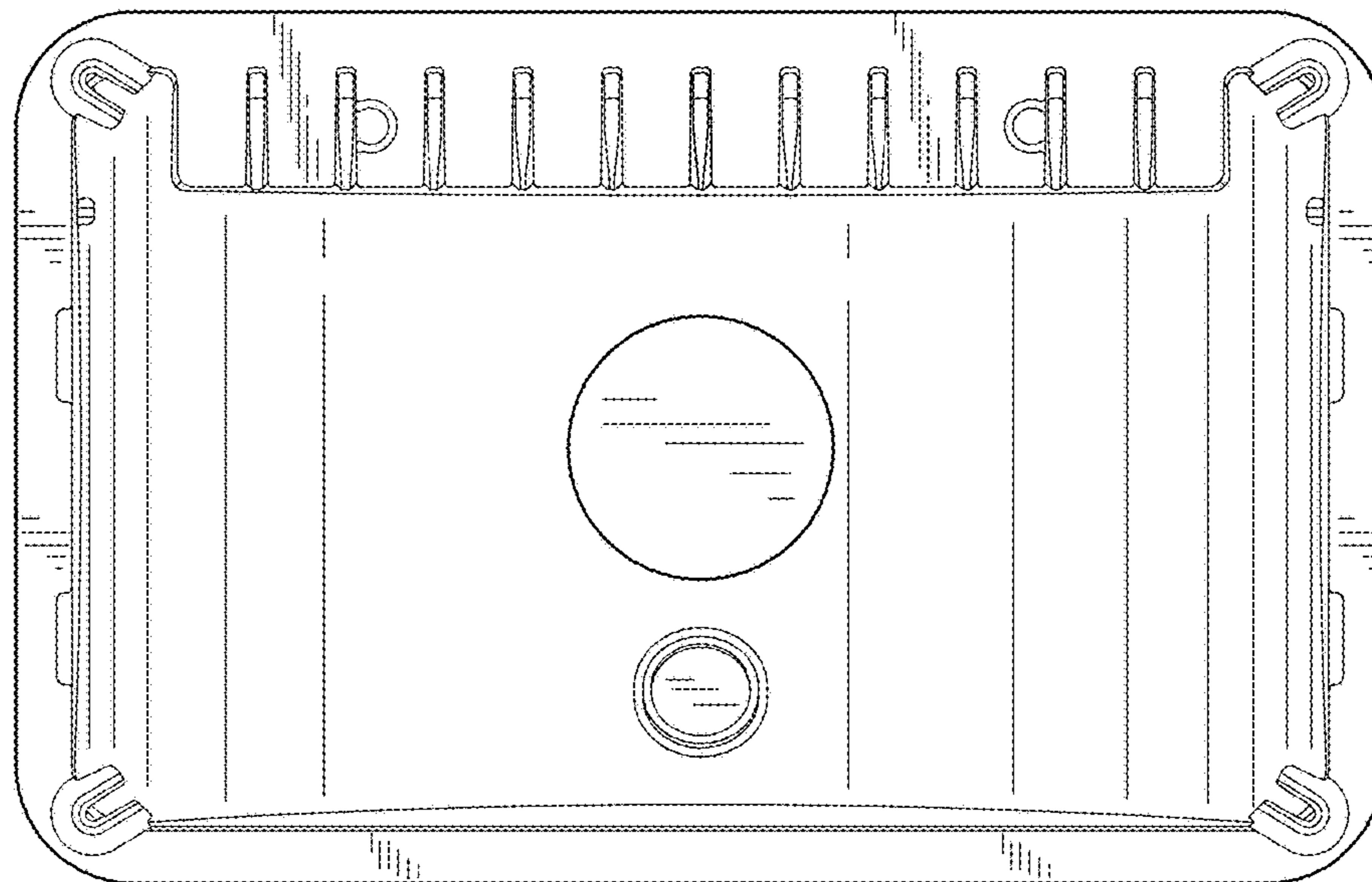


FIG. 3

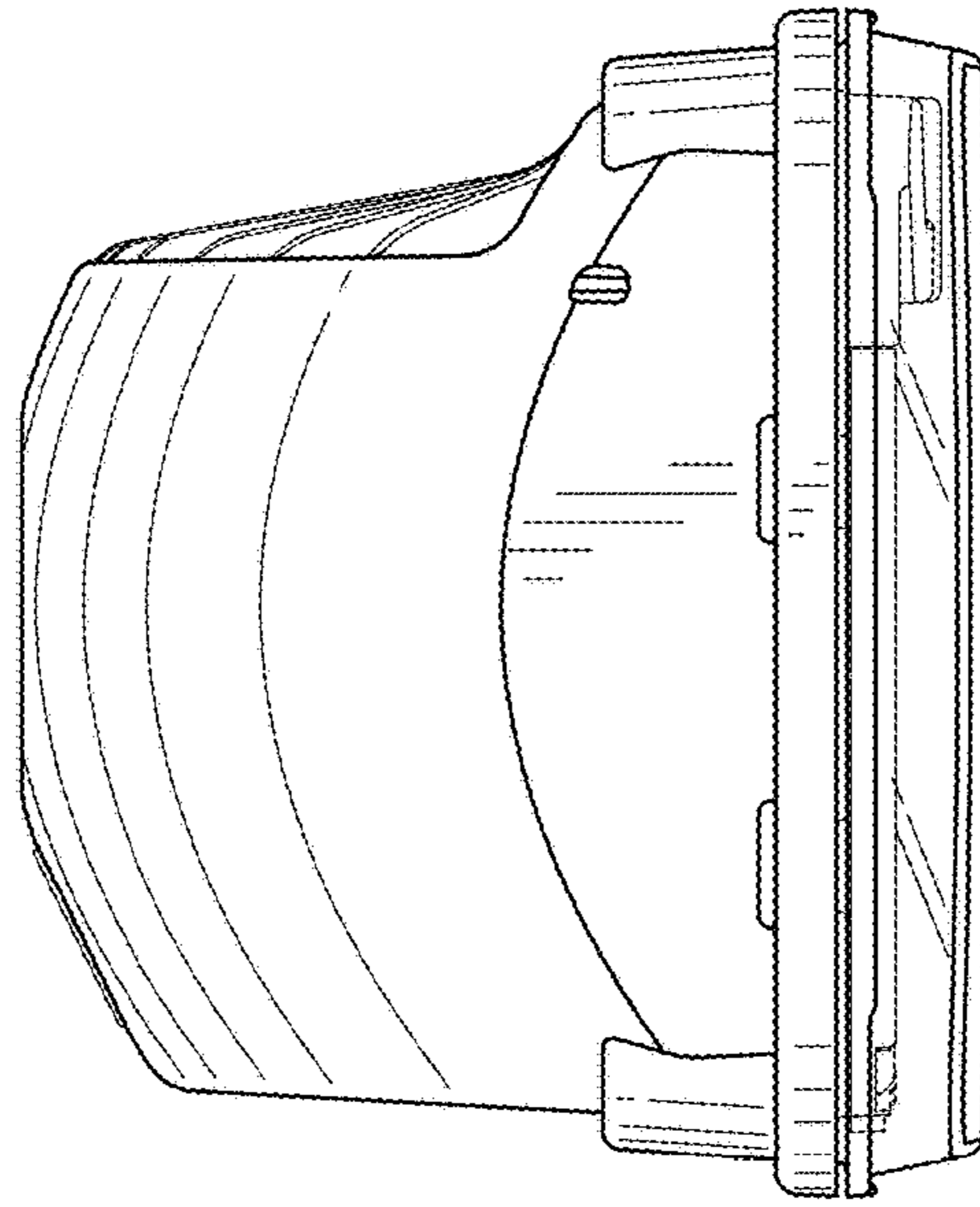


FIG. 4

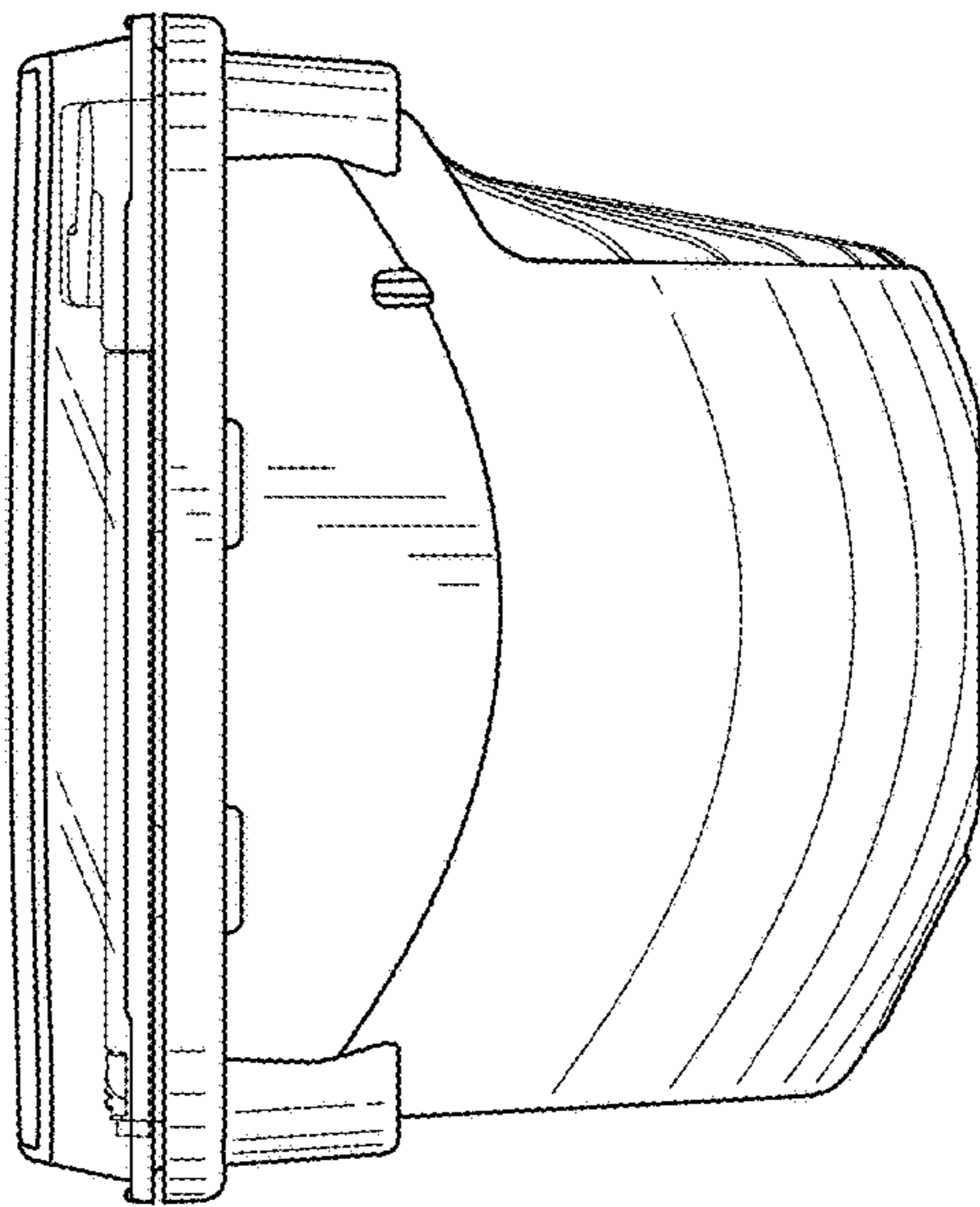


FIG. 5

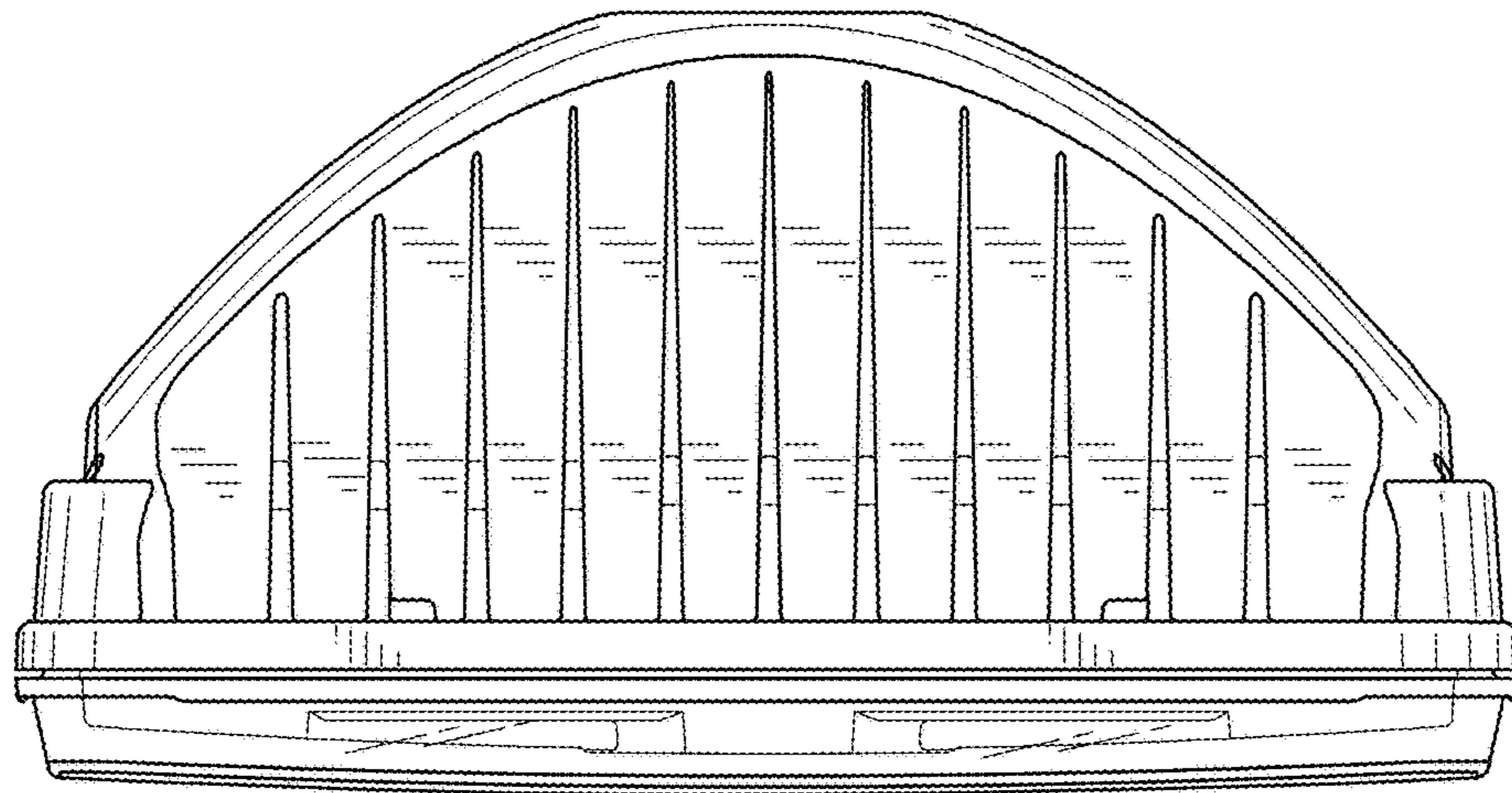


FIG. 6

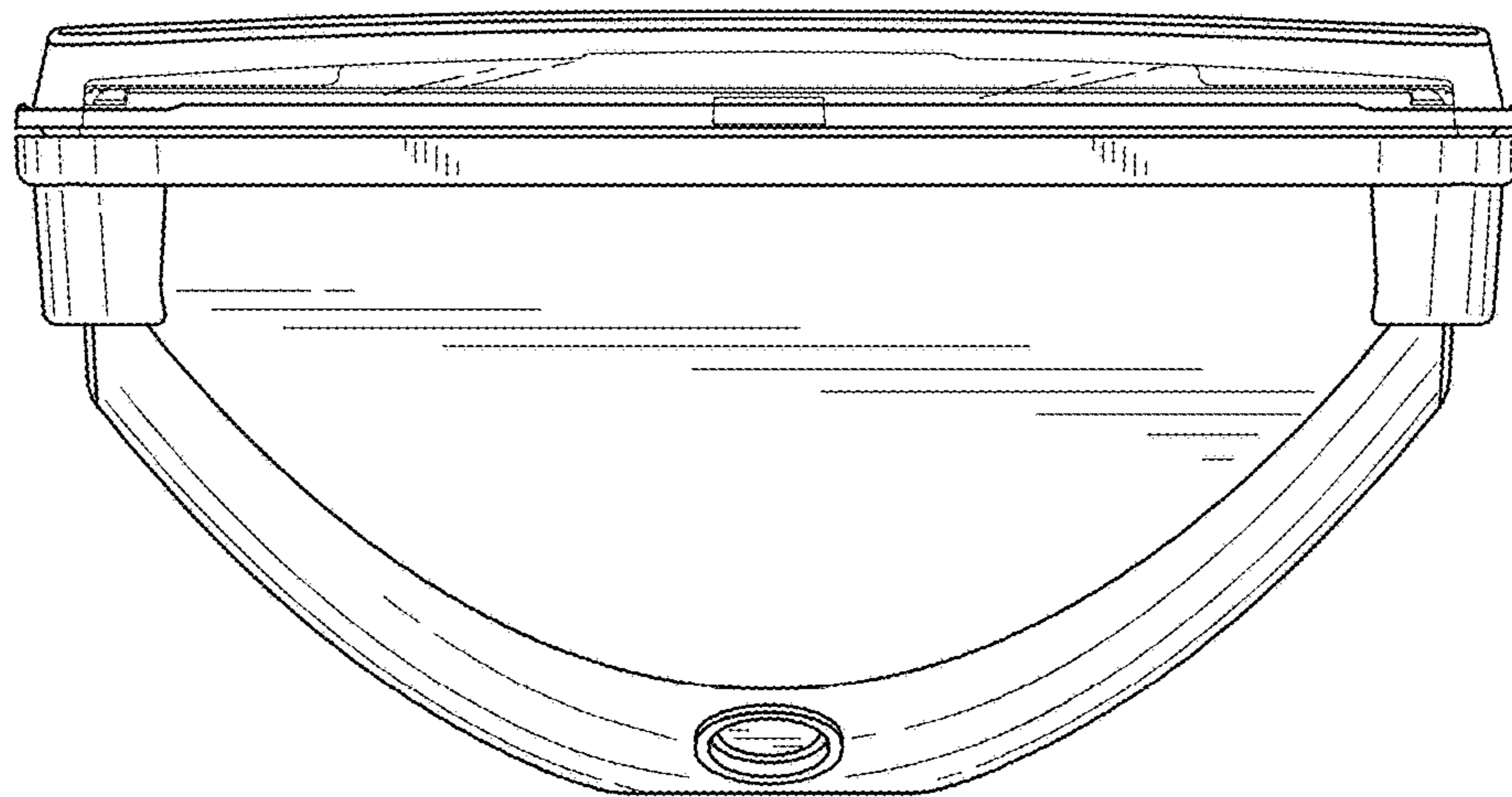


FIG. 7

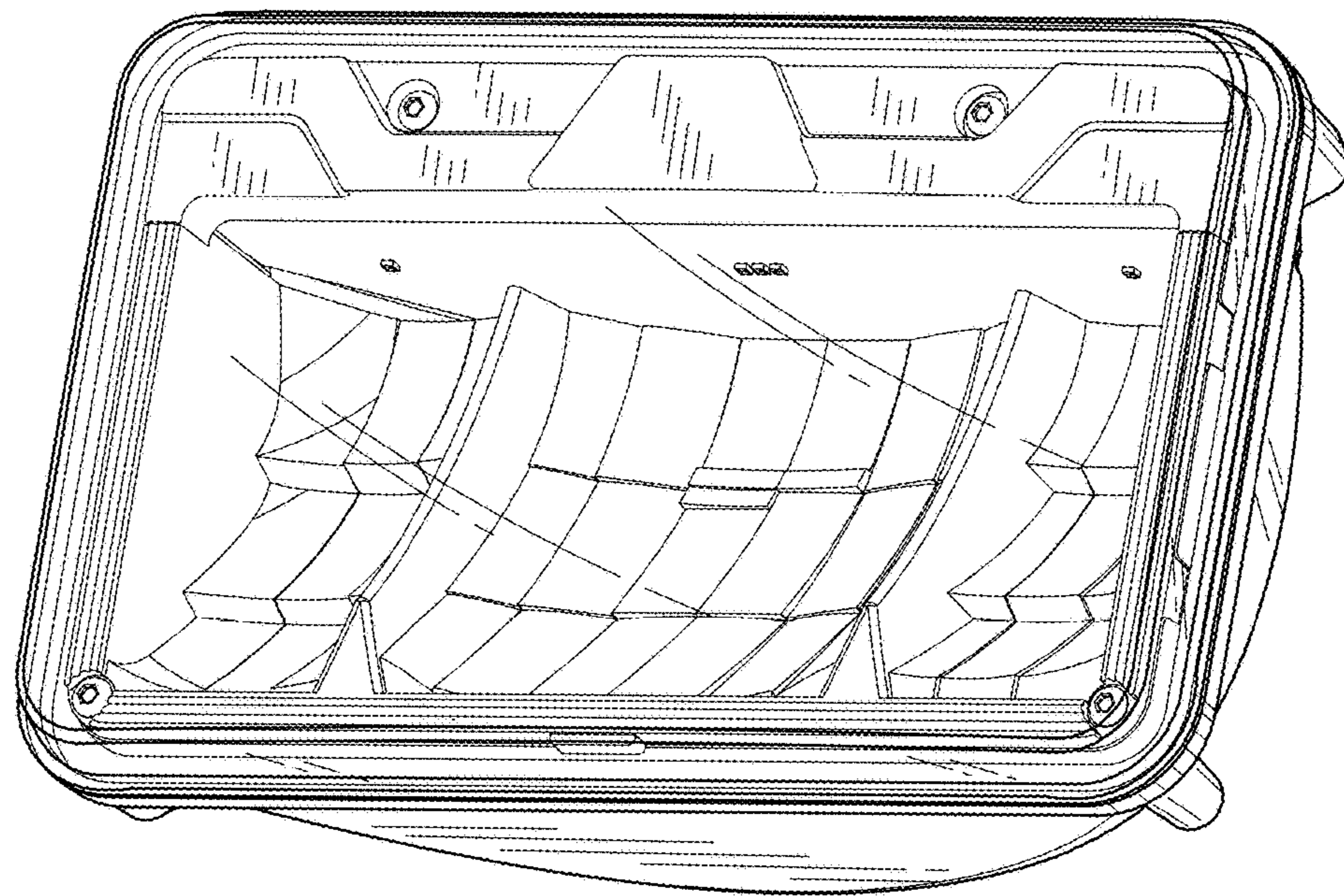


FIG.8

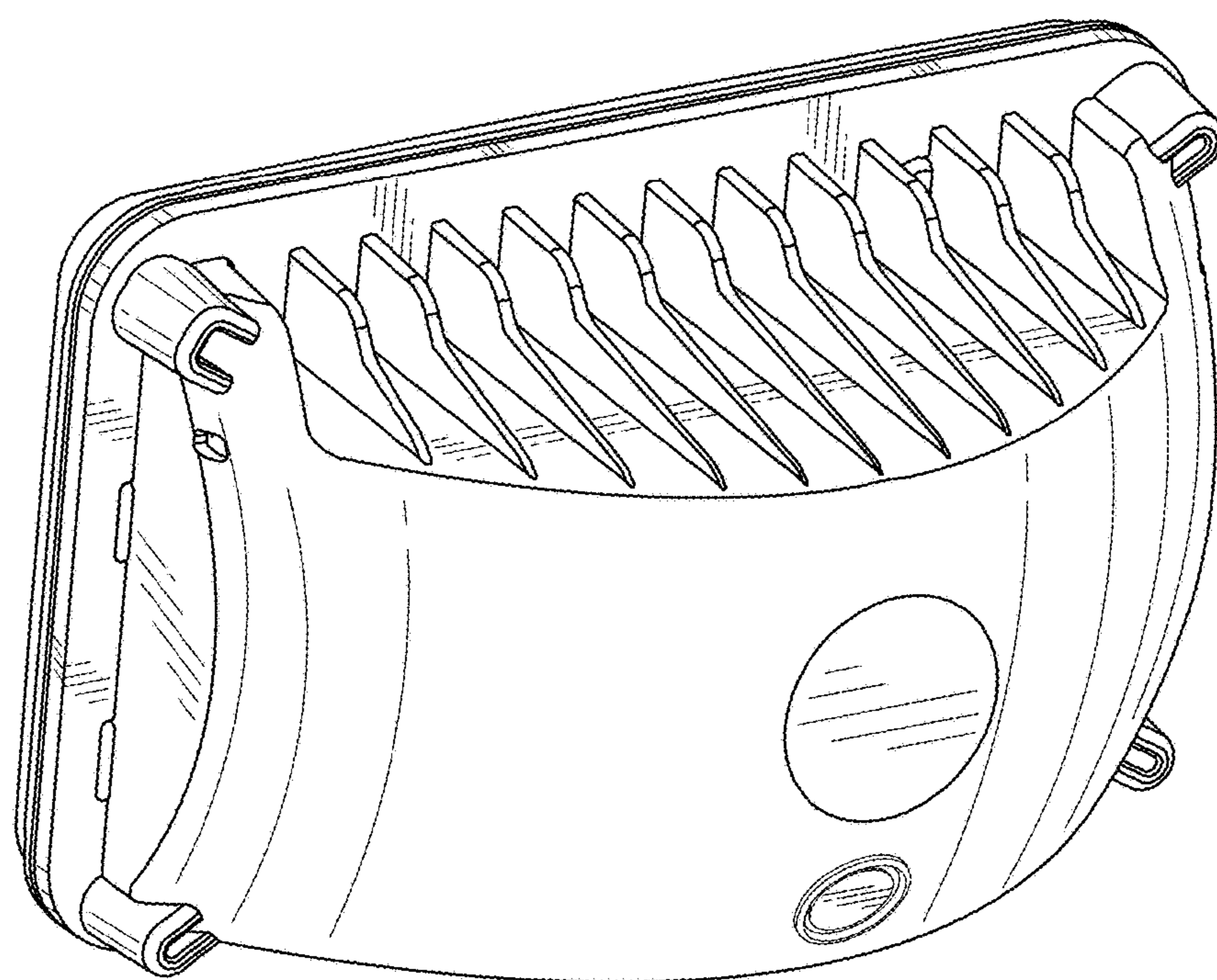


FIG.9