



US00D839457S

(12) **United States Design Patent**
Dornic

(10) **Patent No.:** **US D839,457 S**

(45) **Date of Patent:** **** Jan. 29, 2019**

(54) **CANDLESTICK**

(71) Applicant: **Jevin Michael Inc.**, Monmouth Junction, NJ (US)

(72) Inventor: **Jevin Michael Dornic**, Laguna Beach, CA (US)

(**) Term: **15 Years**

(21) Appl. No.: **29/577,220**

(22) Filed: **Sep. 10, 2016**

(51) **LOC (11) Cl.** **26-01**

(52) **U.S. Cl.**
USPC **D26/9**

(58) **Field of Classification Search**

USPC D26/6-23; D6/303, 313, 314, 519, 537, D6/556, 567, 692.3; D11/131, 131.1, D11/141, 143, 144, 164; D9/504, 529, D9/544, 545, 549

CPC .. F21S 6/00; F21S 13/00; F21V 35/00; F21W 2121/00; A47G 33/02

See application file for complete search history.

(56) **References Cited**

U.S. PATENT DOCUMENTS

D37,213 S * 11/1904 Heisley D26/9
D38,293 S * 10/1906 Booth 48/2

D41,300 S * 4/1911 Haley D26/9
D41,590 S * 7/1911 Sanford D26/9
D46,319 S * 8/1914 Sanford D26/9
D434,862 S * 12/2000 Fait D26/9
D497,441 S * 10/2004 Therrien D26/9
D554,278 S * 10/2007 Williams D26/9
D606,674 S * 12/2009 Williams D26/9

* cited by examiner

Primary Examiner — Ian Simmons

Assistant Examiner — Keith Frank

(74) *Attorney, Agent, or Firm* — Robert J. Ballarini

(57) **CLAIM**

The ornamental design for a candlestick, as shown and described.

DESCRIPTION

FIG. 1 is a top perspective view of the candlestick according to my design;

FIG. 2 is a bottom perspective view thereof;

FIG. 3 is a front view thereof;

FIG. 4 is a rear view thereof;

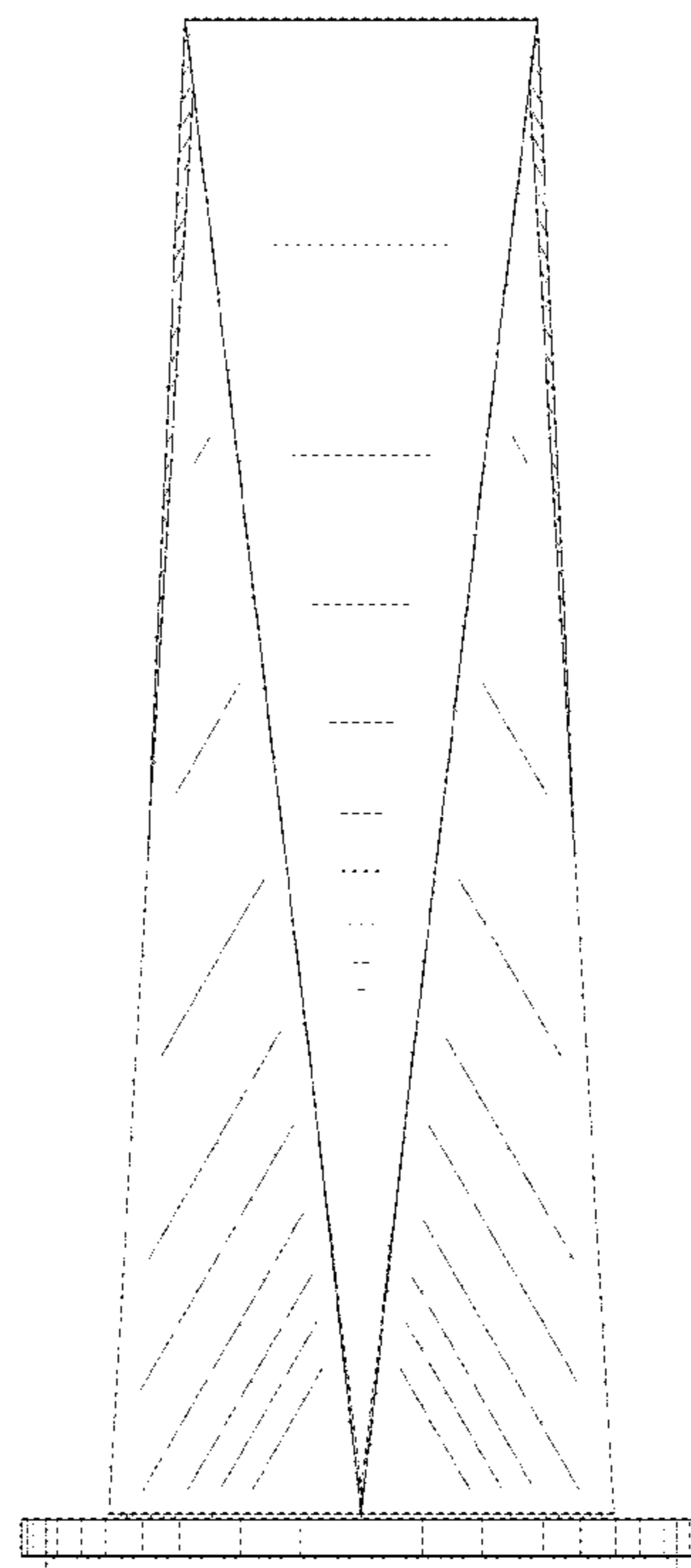
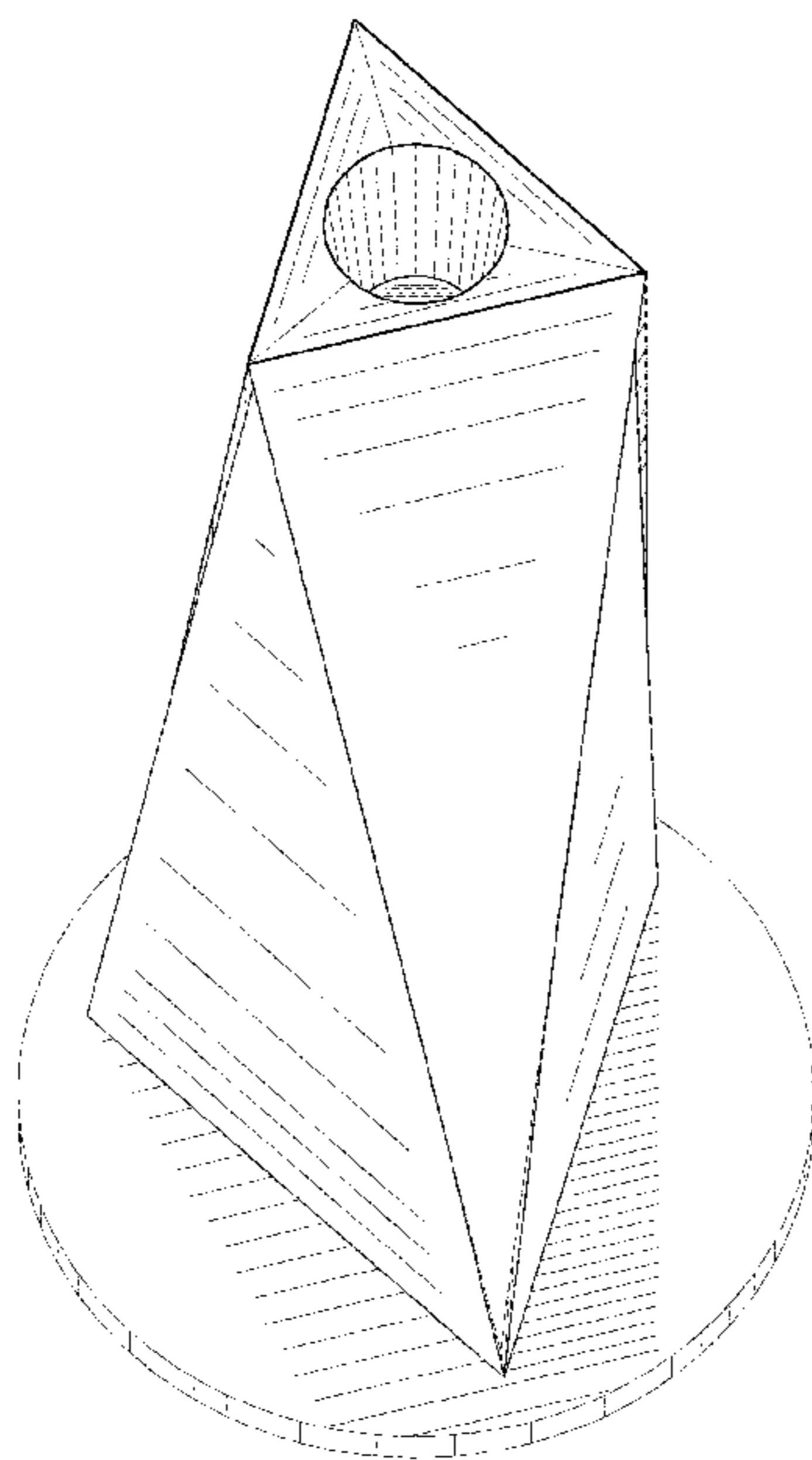
FIG. 5 is a right side view, the left side view being a mirror image thereto;

FIG. 6 is a top plan view thereof; and,

FIG. 7 is a bottom view thereof.

The broken lines in the drawings showing the candlestick illustrate the portions of the candlestick that form no part of the claimed design.

1 Claim, 7 Drawing Sheets



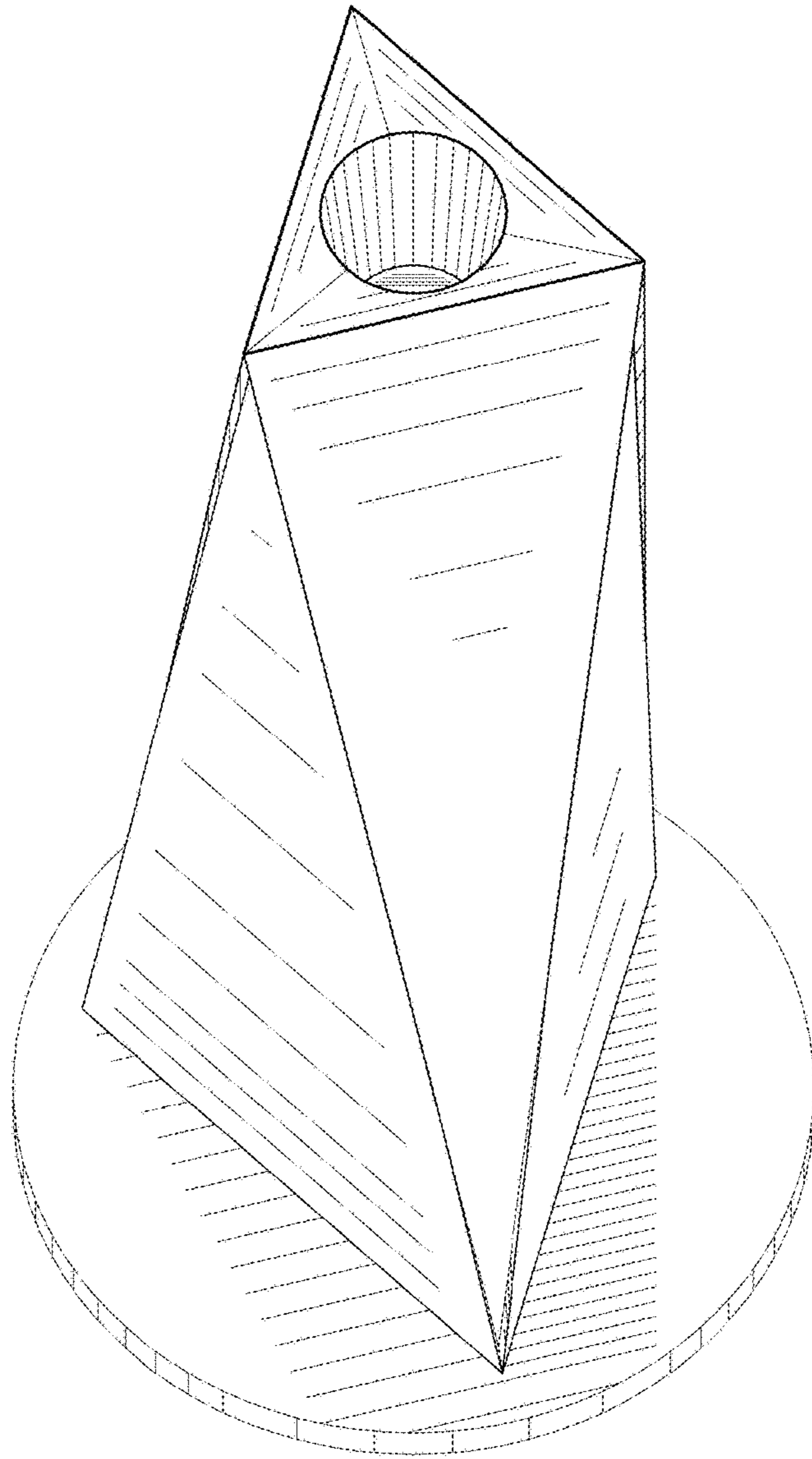


FIG. 1

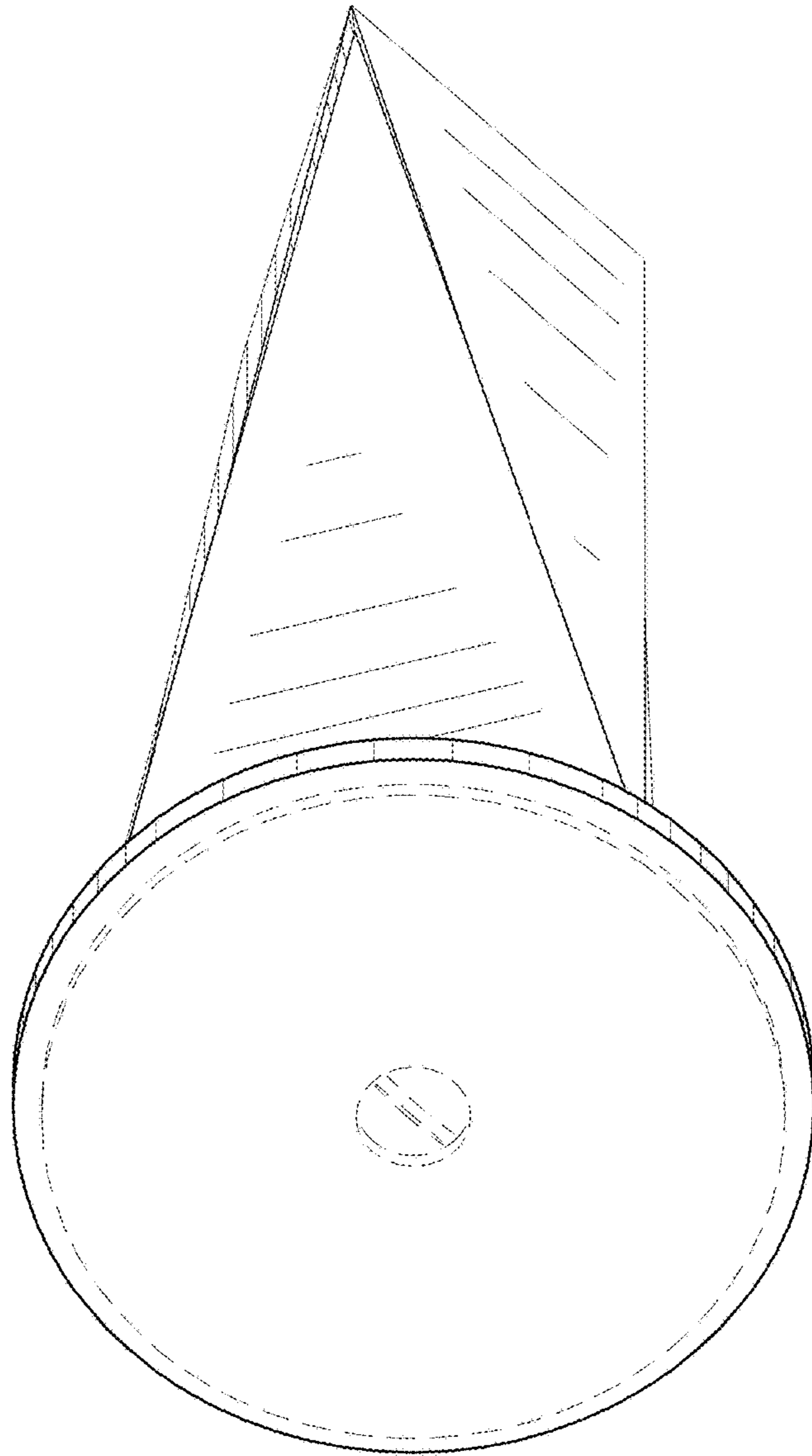


FIG. 2

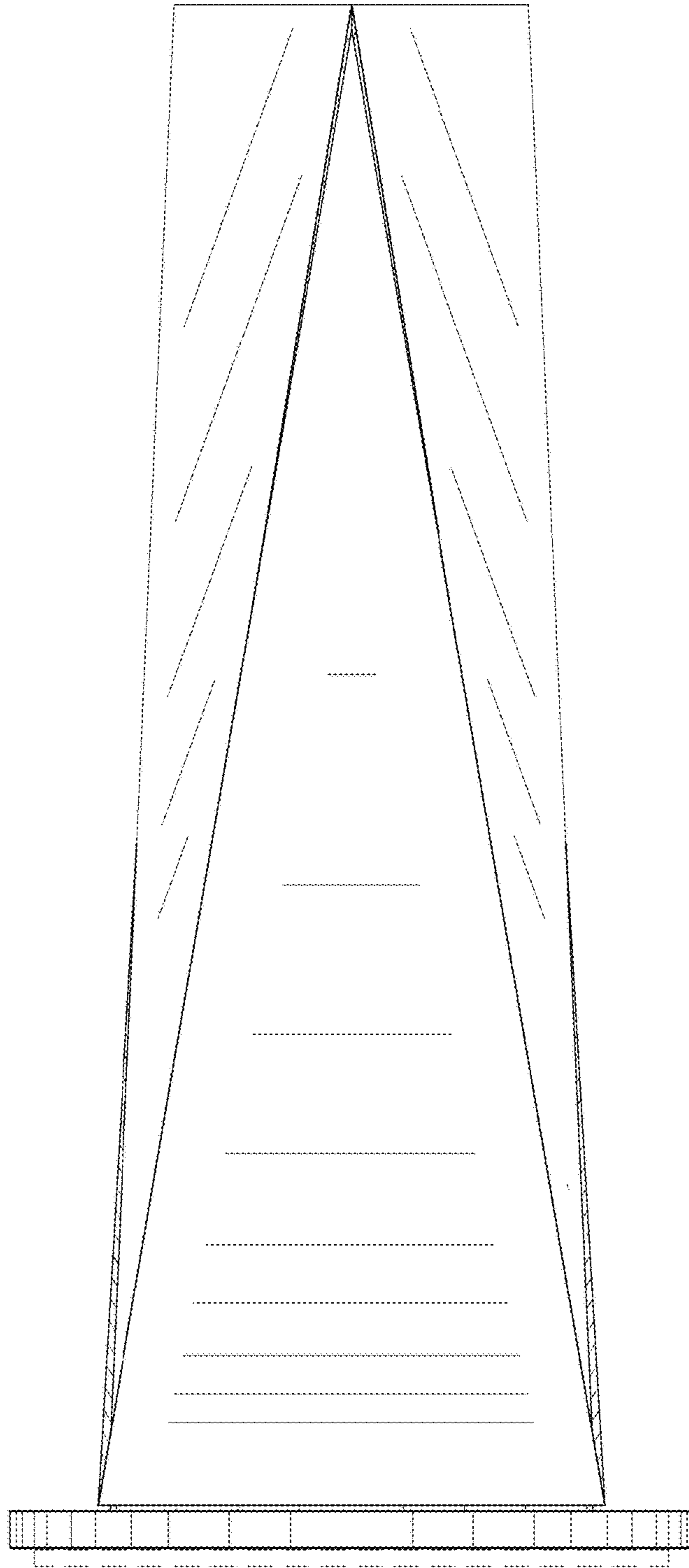


FIG. 3

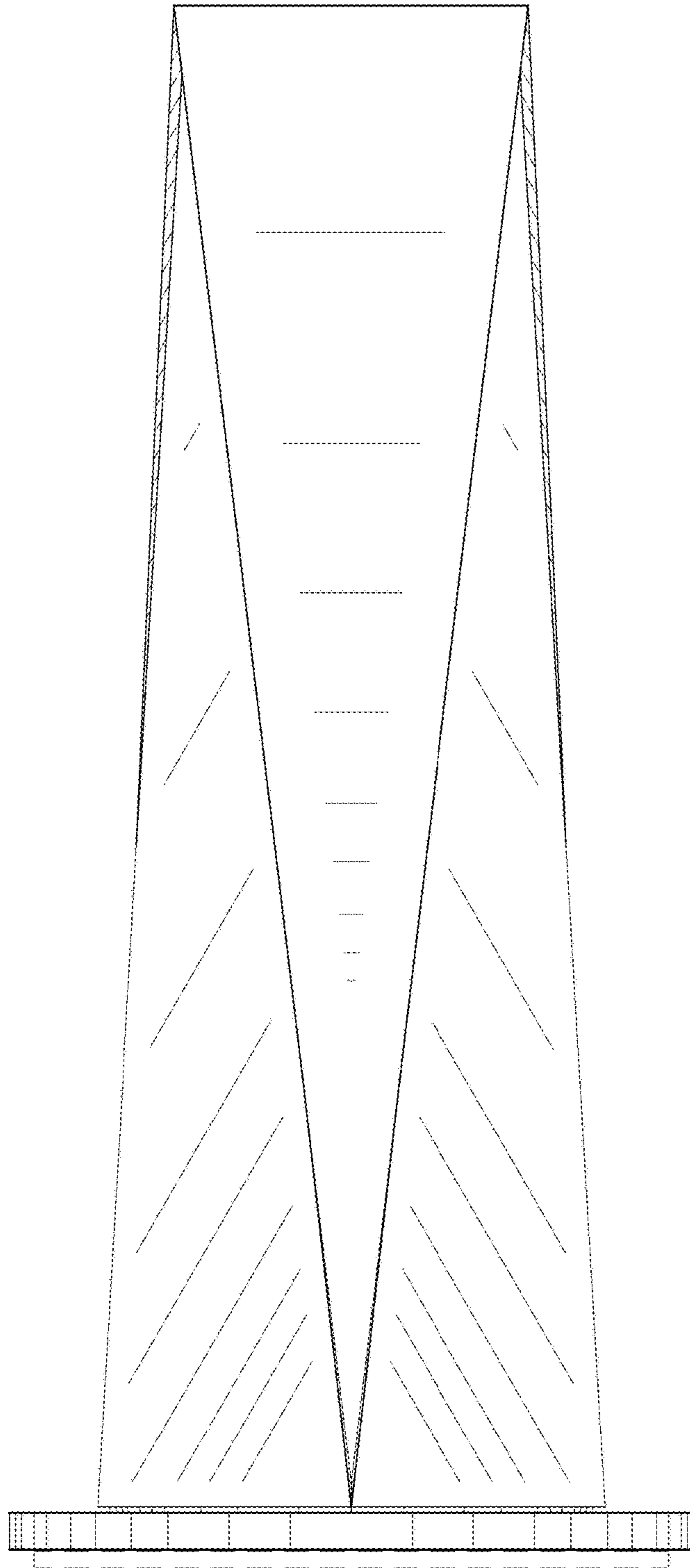


FIG. 4

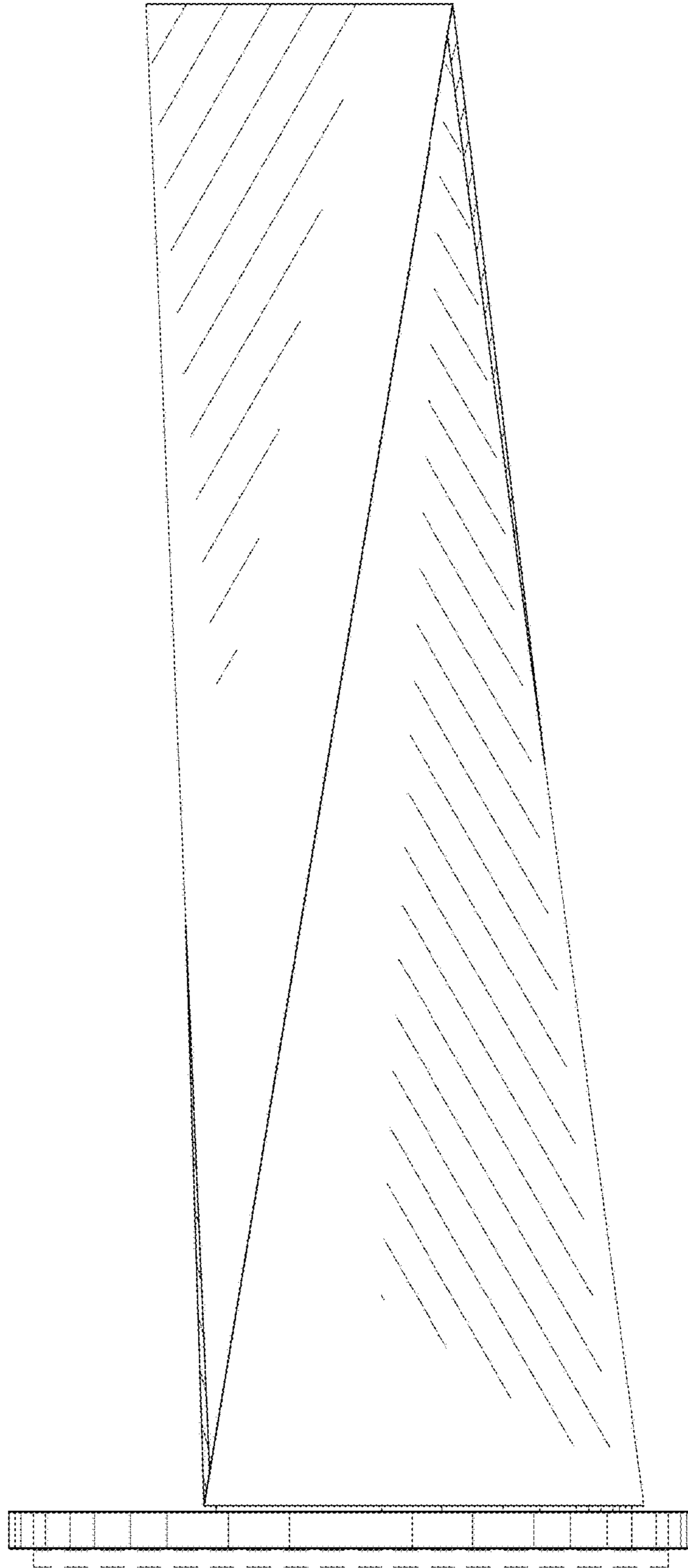


FIG. 5

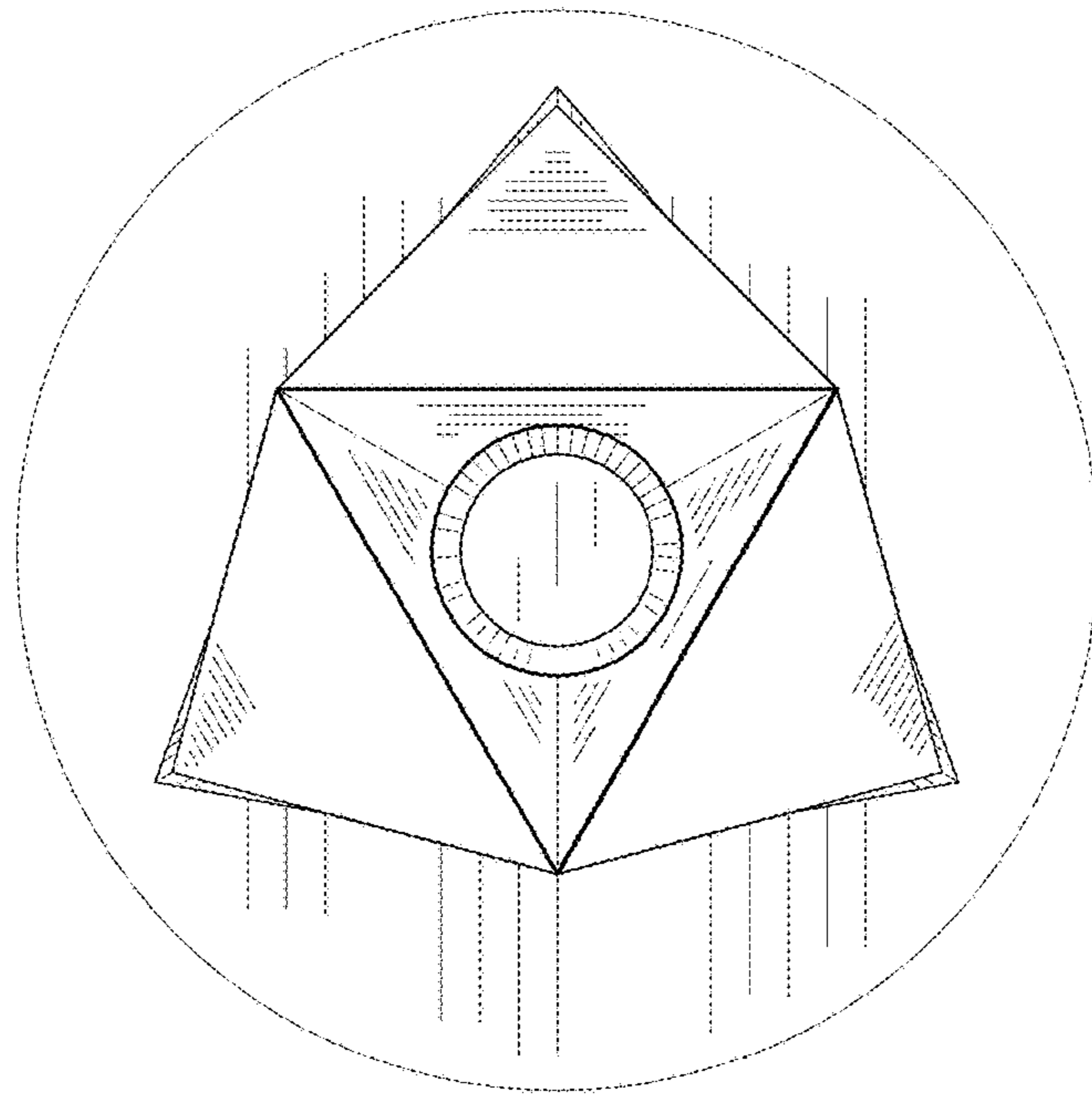


FIG. 6

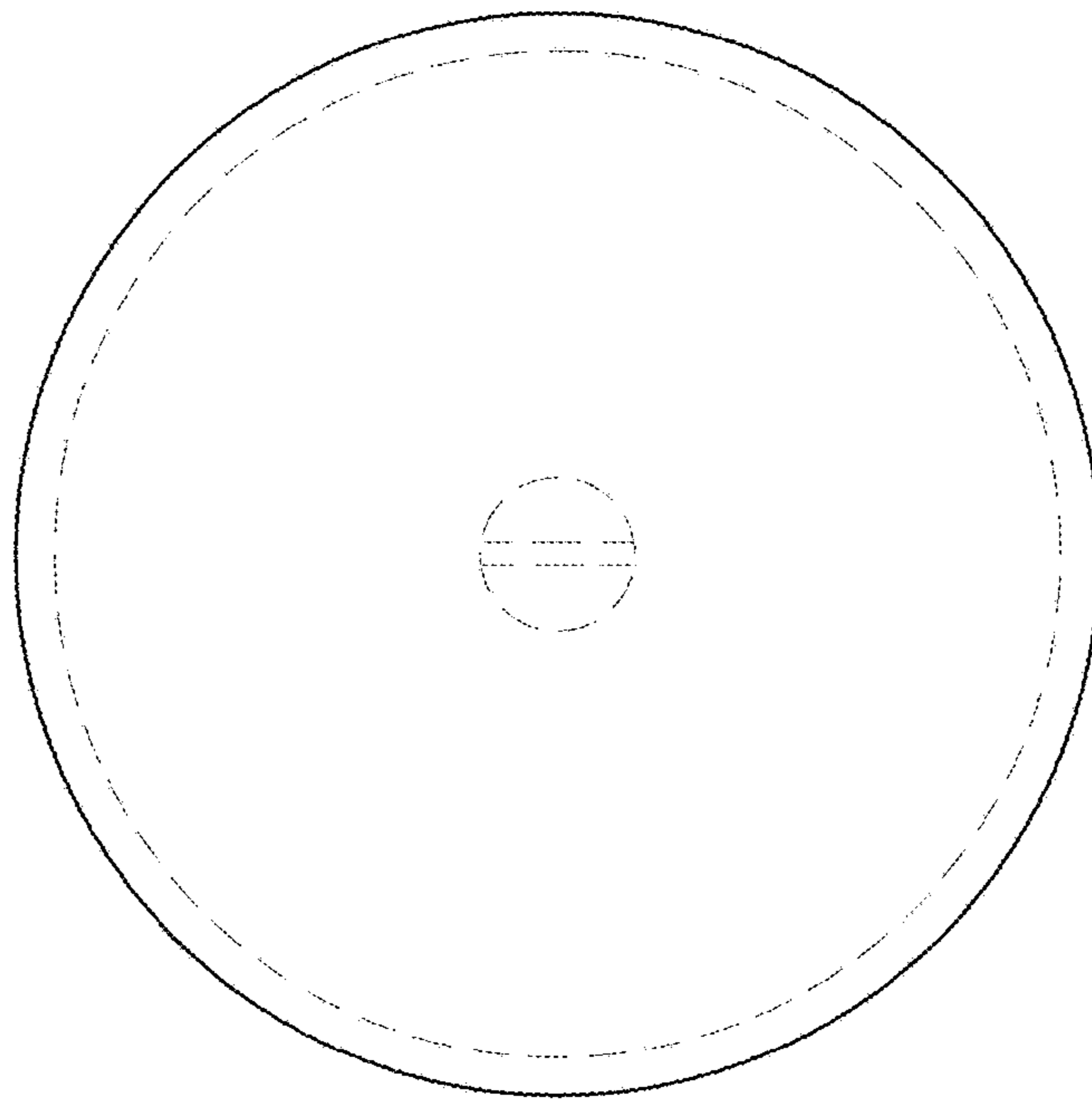


FIG. 7