



US00D839456S

(12) **United States Design Patent** (10) **Patent No.:** **US D839,456 S**
Salvaggio, Jr. (45) **Date of Patent:** **** Jan. 29, 2019**

(54) **CARBON FIBER PANEL WITH INTEGRAL ILLUMINATION UNIT**

(74) *Attorney, Agent, or Firm* — Marshall, Gerstein & Borun LLP

(71) Applicant: **David Salvaggio, Jr.**, Grafton, WI (US)

(57) **CLAIM**

(72) Inventor: **David Salvaggio, Jr.**, Grafton, WI (US)

The ornamental design for a carbon fiber panel with integral illumination unit, as shown and described.

(**) Term: **15 Years**

DESCRIPTION

(21) Appl. No.: **29/582,273**

FIG. 1 is a front view of a carbon fiber panel with integral illumination unit of the present invention, in an un-illuminated condition;

(22) Filed: **Oct. 26, 2016**

FIG. 2 is a front view of the invention illustrated in FIG. 1, in an illuminated condition;

(51) **LOC (11) Cl.** **26-04**

(52) **U.S. Cl.**

USPC **D26/1**

(58) **Field of Classification Search**

USPC D26/1-4; 313/313, 315, 316, 317, 318, 313/493; 315/52, 53, 56, 57, 58

CPC H01J 5/48; H01J 5/50; H01J 19/54; F21K 9/13; F21V 19/004; F21V 19/0015; F21V 19/0045

See application file for complete search history.

FIG. 3 is a cross-sectional view of the invention illustrated in FIG. 1, taken along lines 3-3 of FIG. 2;

FIG. 4 is a front view of a second embodiment of a carbon fiber panel with integral illumination unit of the present invention, in an un-illuminated condition;

FIG. 5 is a front view of the invention illustrated in FIG. 4, in an illuminated condition;

FIG. 6 is a cross-sectional view of the invention illustrated in FIG. 4, taken along lines 6-6 of FIG. 5;

FIG. 7 is a front view of a third embodiment of a carbon fiber panel with integral illumination unit of the present invention, in an un-illuminated condition;

FIG. 8 is a front view of the invention illustrated in FIG. 7, in an illuminated condition; and,

FIG. 9 is a cross-sectional view the invention illustrated in FIG. 7, taken along lines 9-9 of FIG. 8.

The broken lines surrounding each of the figures depict the boundaries of the claim and form no part thereof. The other broken lines in the drawings illustrate portions of the carbon fiber panel with integral illumination unit and form no part of the claimed design. The parallel diagonal shading lines in the drawings indicate transparency.

(56) **References Cited**

U.S. PATENT DOCUMENTS

D570,506 S * 6/2008 Uemoto D26/1
D665,105 S * 8/2012 Betsuda D13/180
D747,008 S * 1/2016 Kim D26/1

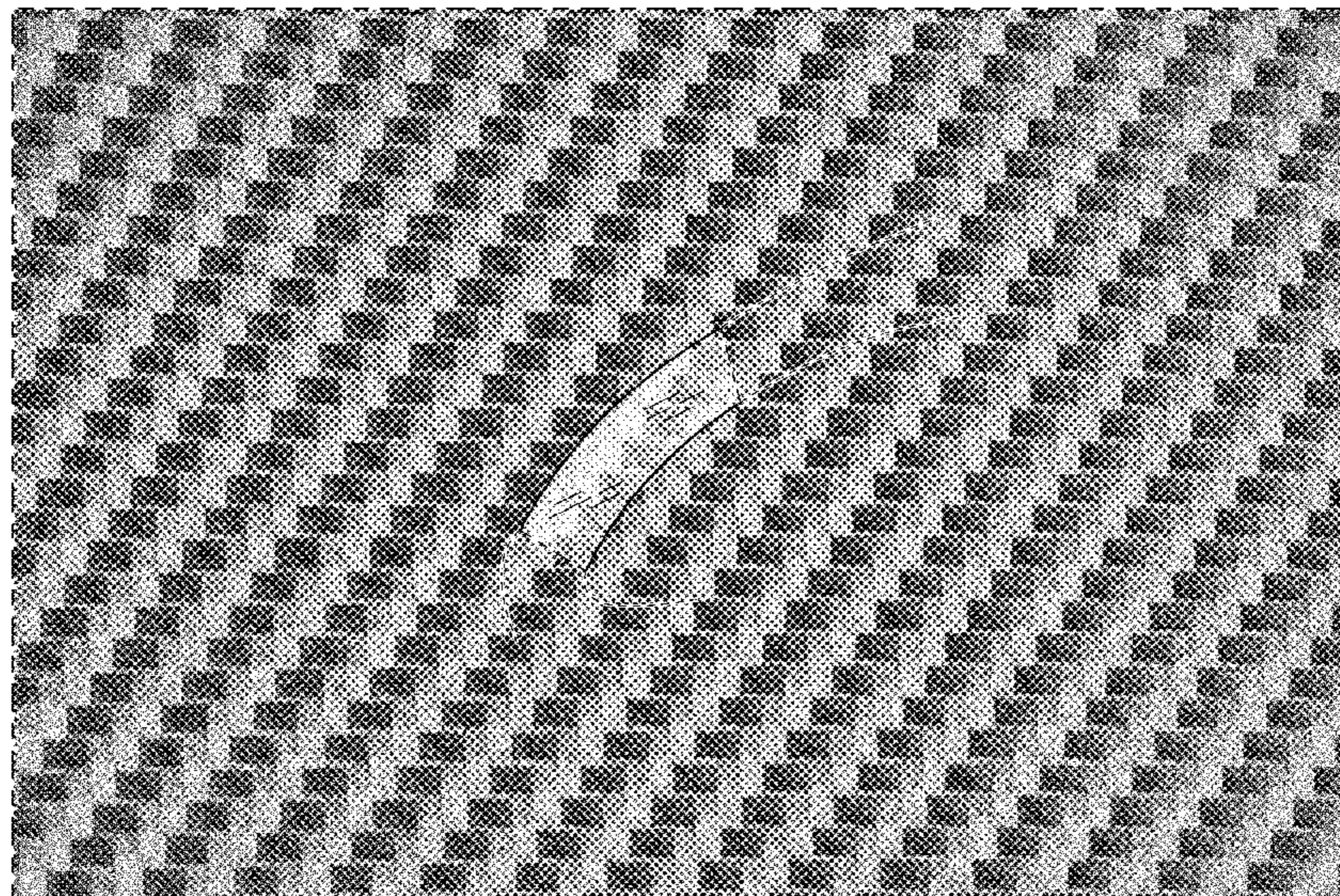
OTHER PUBLICATIONS

“Beginner’s Guide to Out-of-Autoclave Prepreg Carbon Fibre,” Easy Composites™ (2013).

* cited by examiner

Primary Examiner — Marcus A Jackson

1 Claim, 9 Drawing Sheets



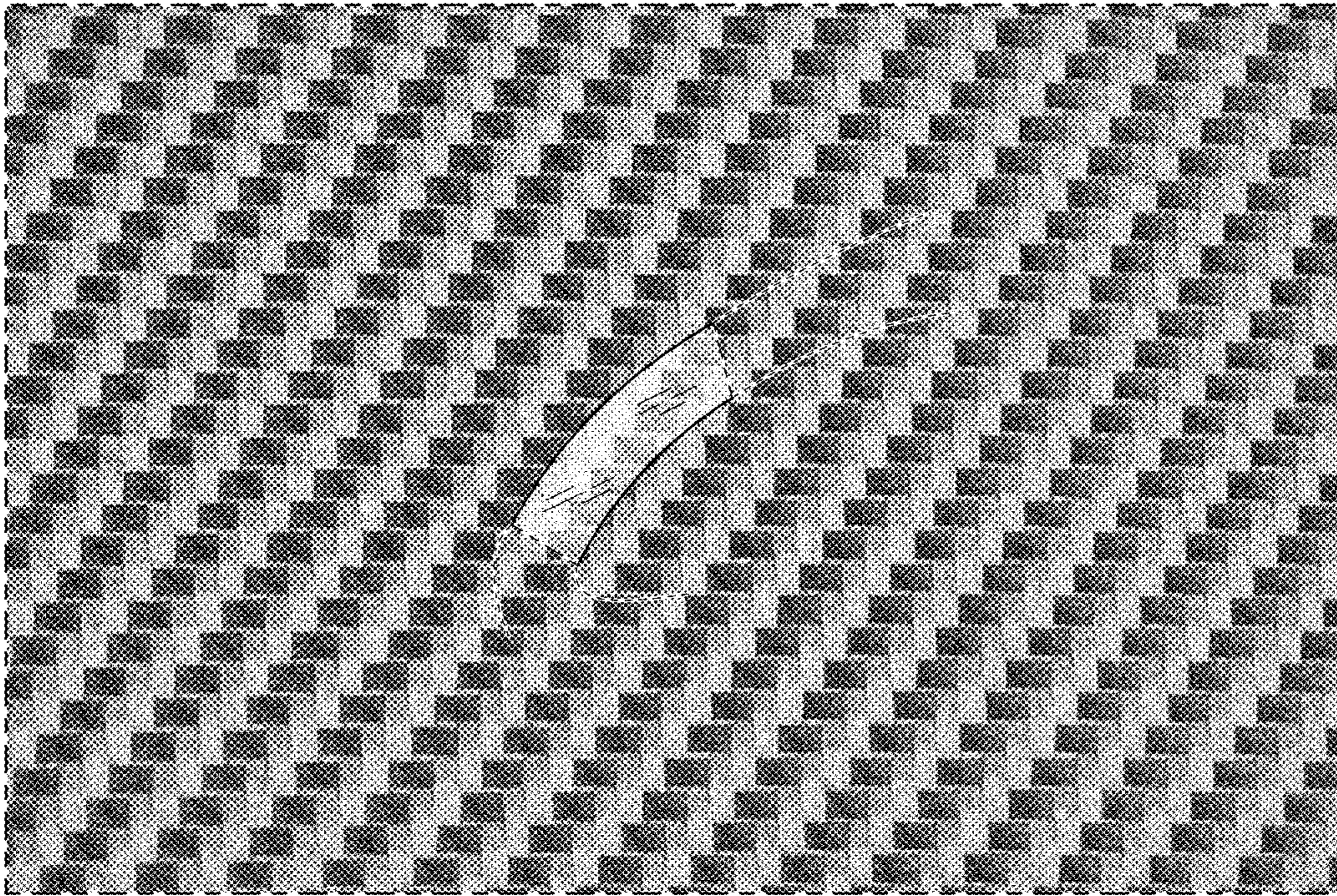


FIG. 1

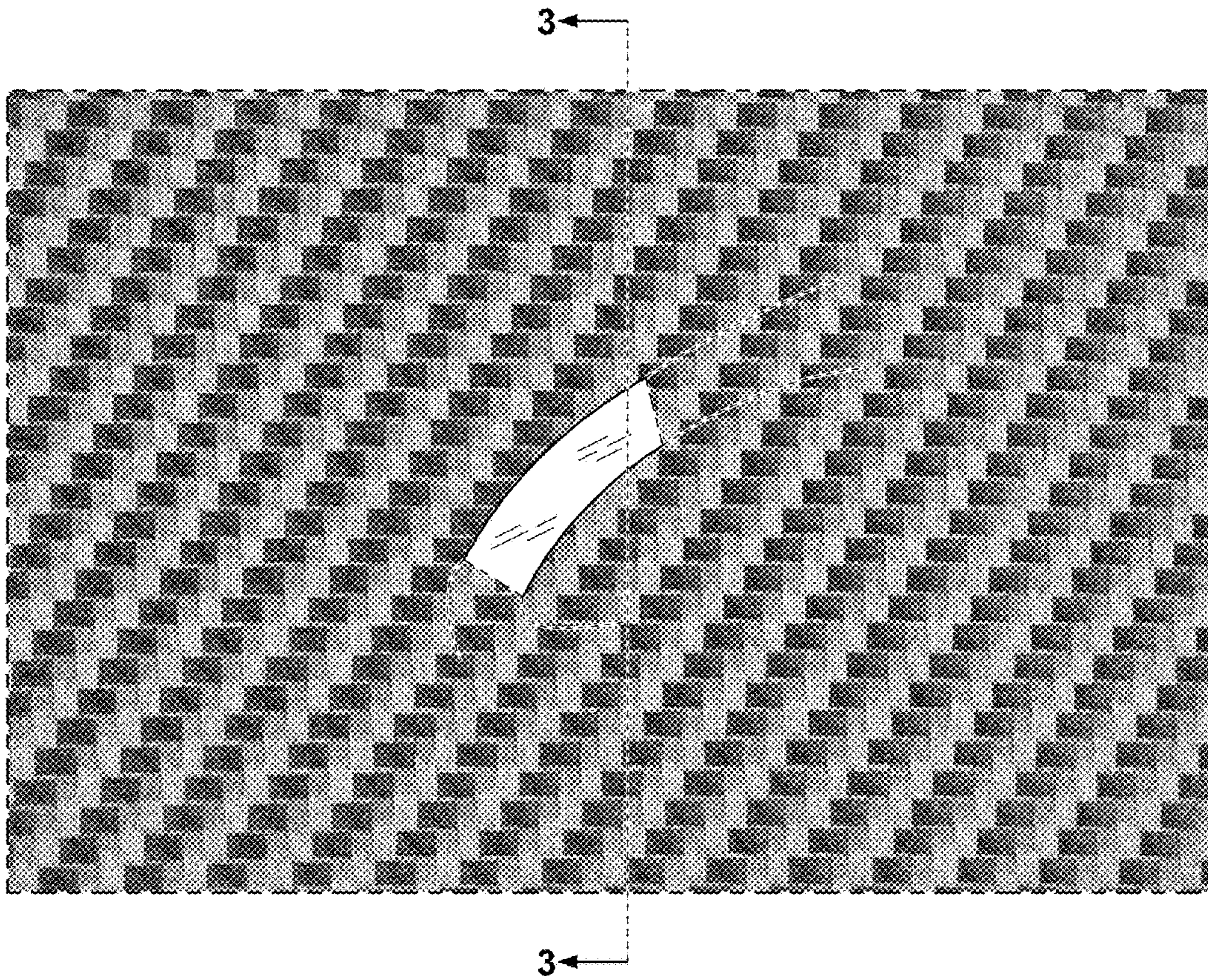


FIG. 2

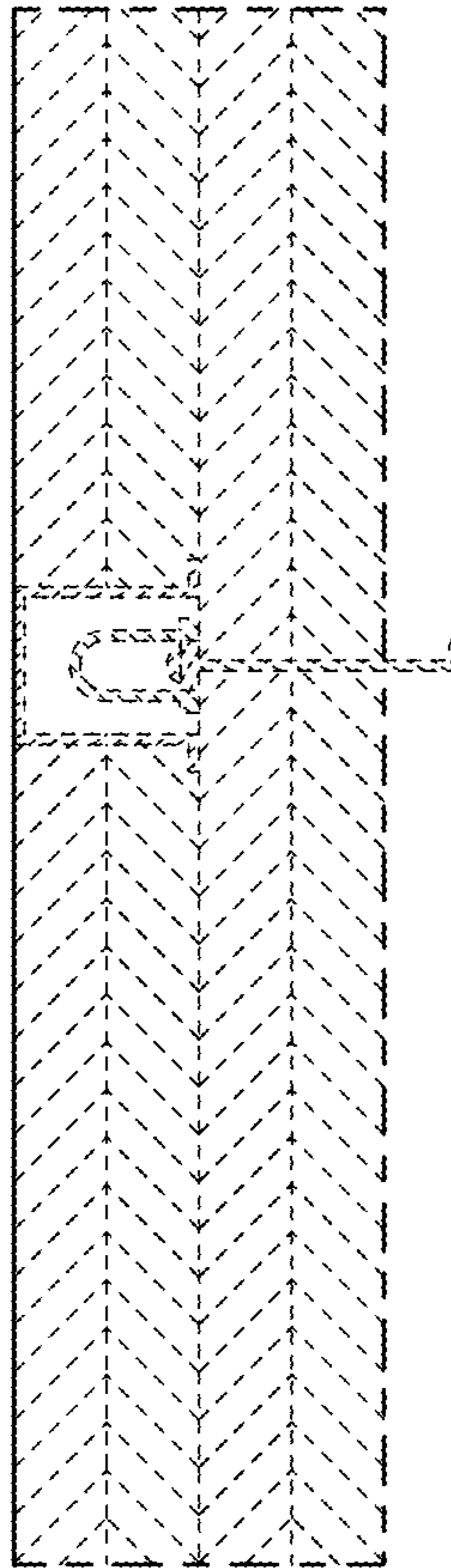


FIG. 3

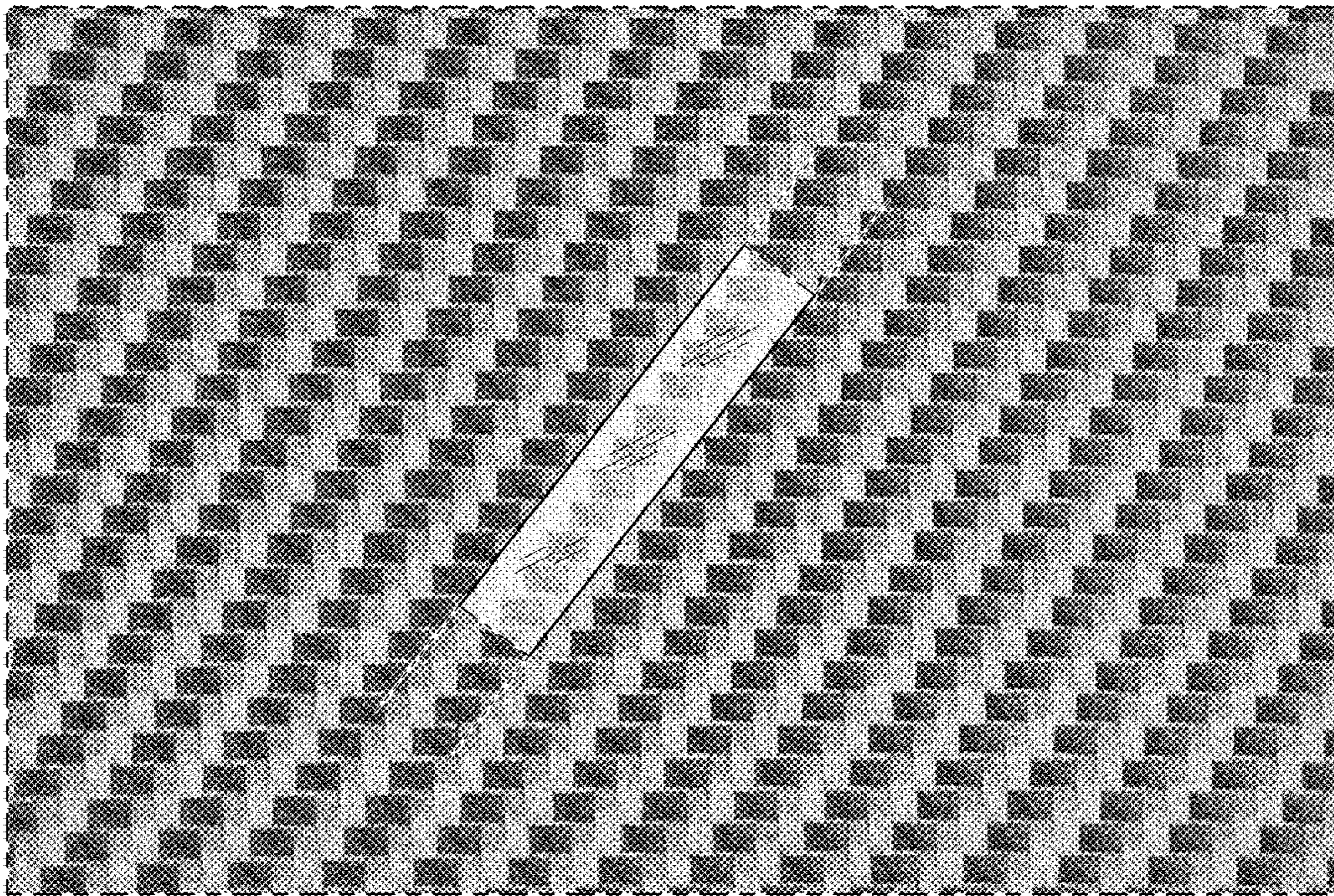


FIG. 4

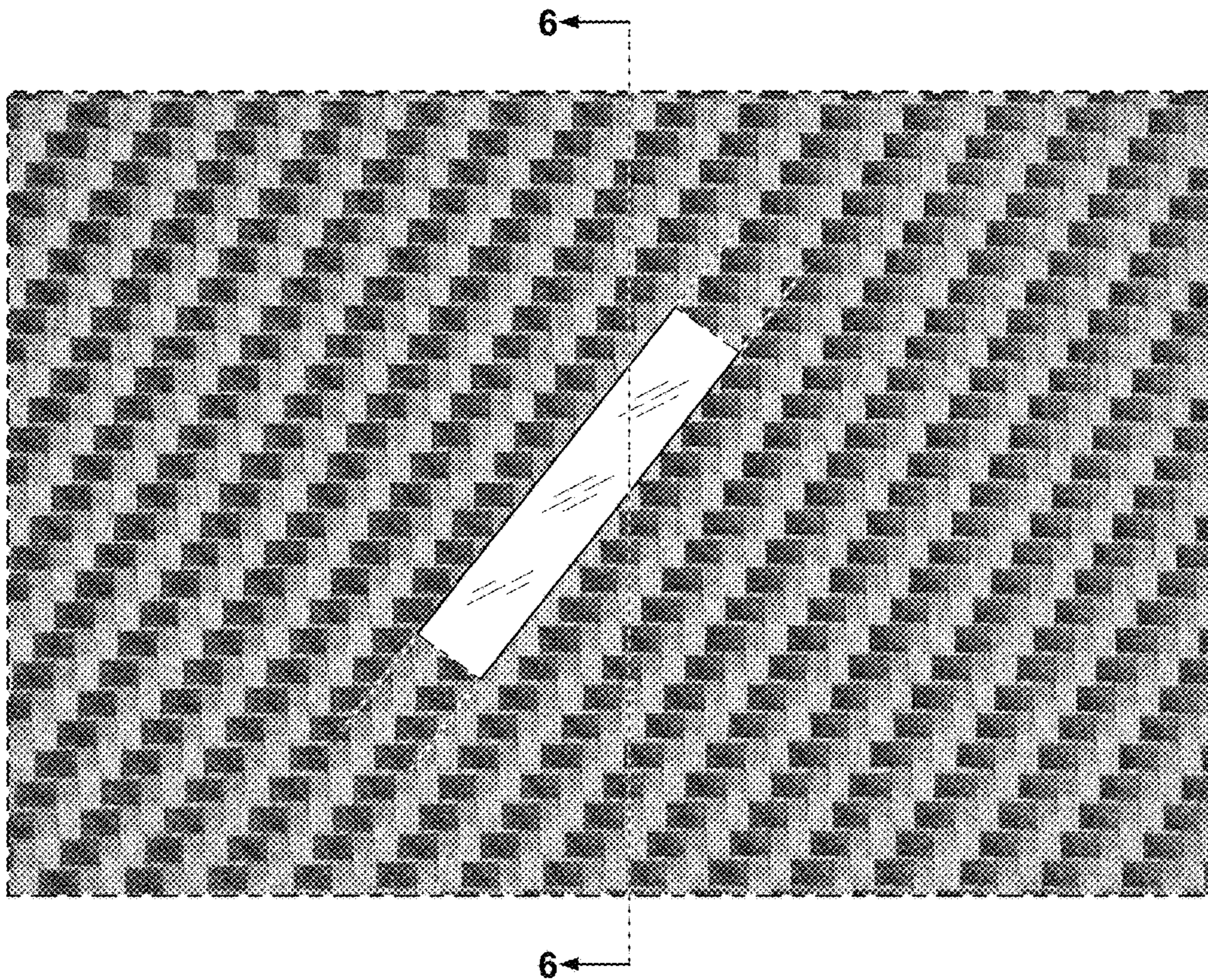


FIG. 5

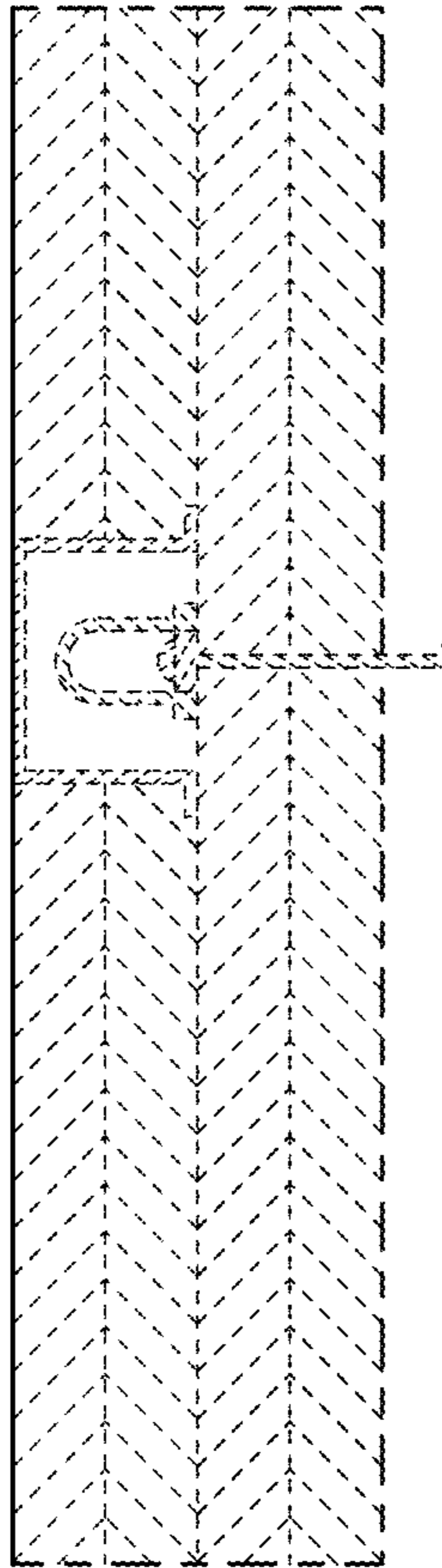


FIG. 6

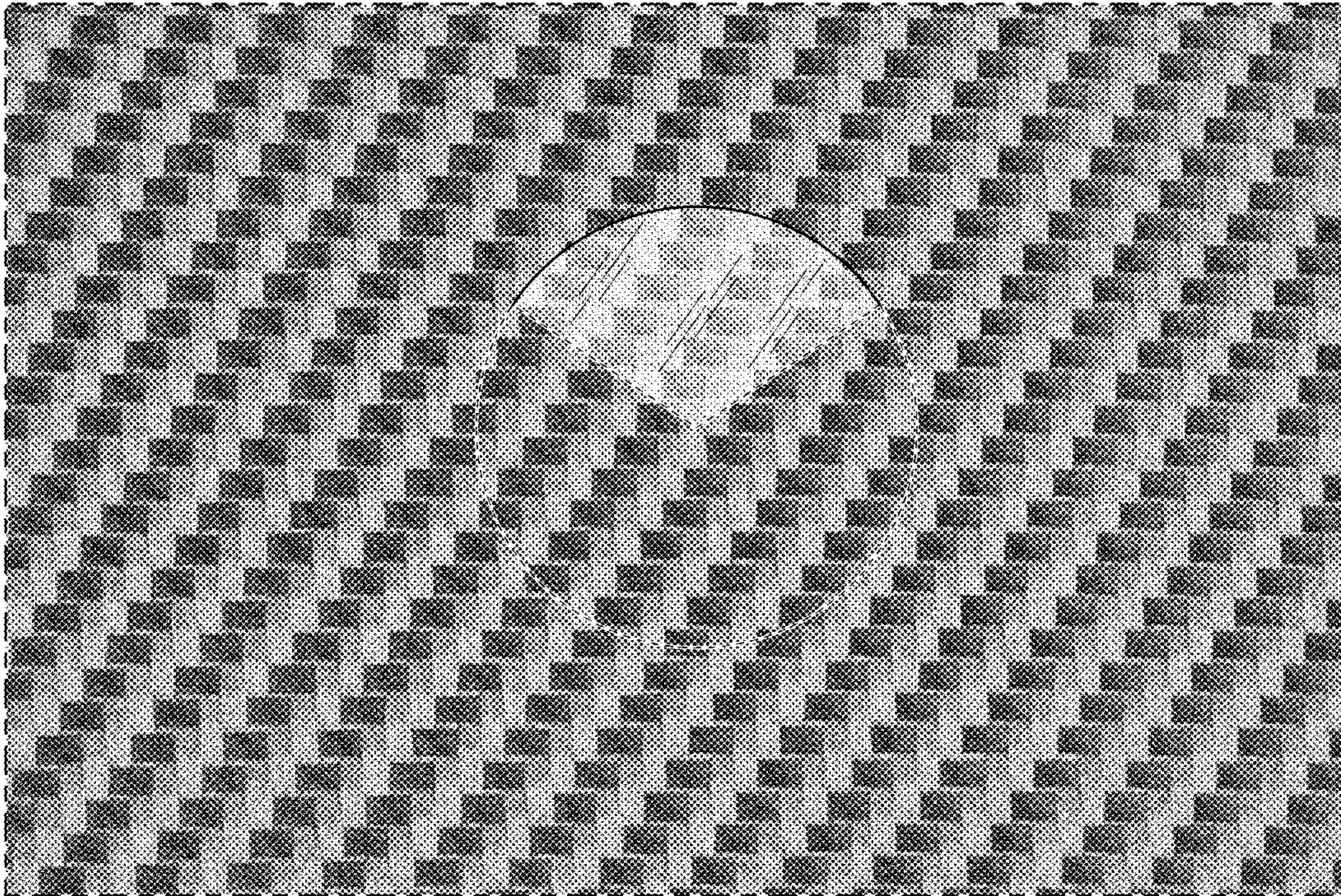


FIG. 7

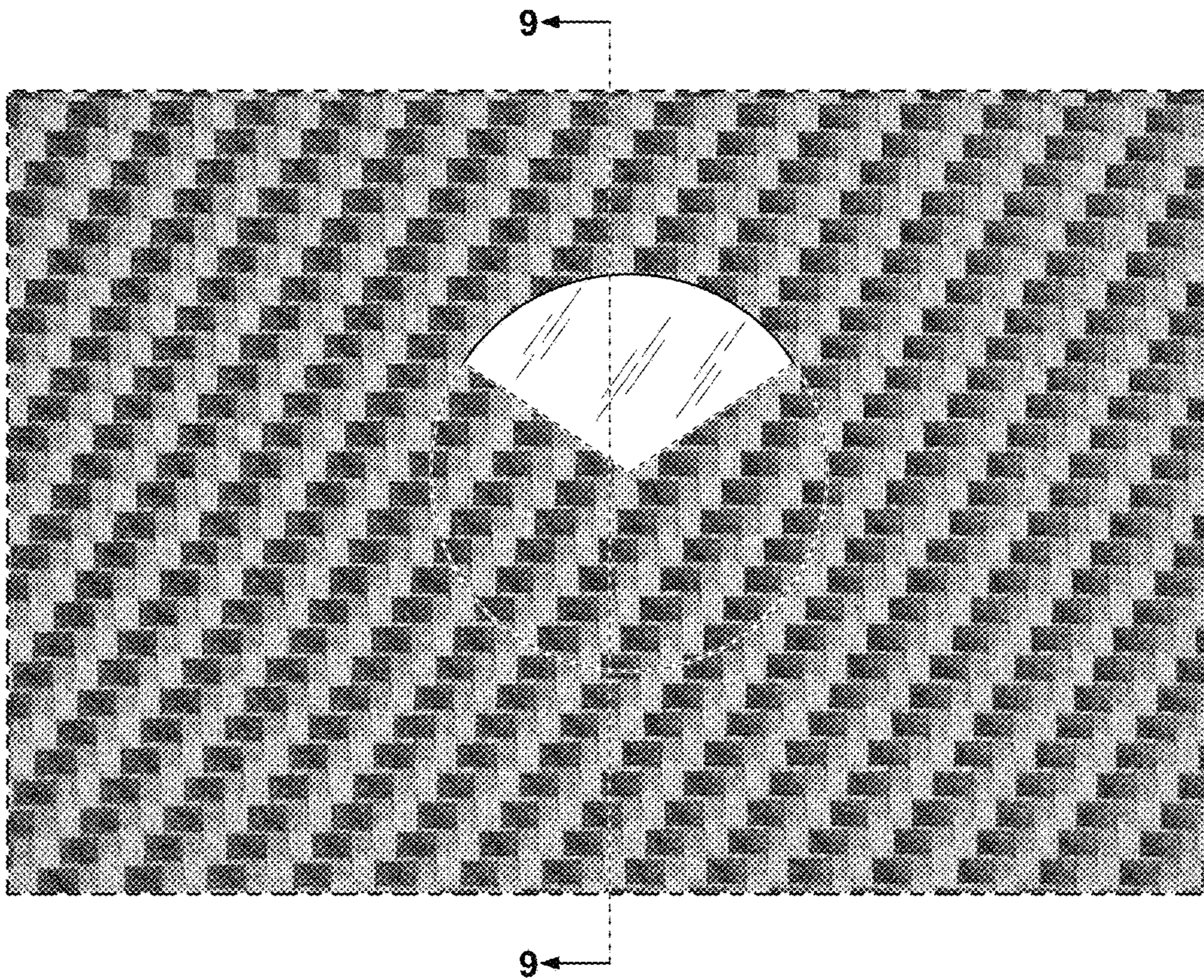


FIG. 8

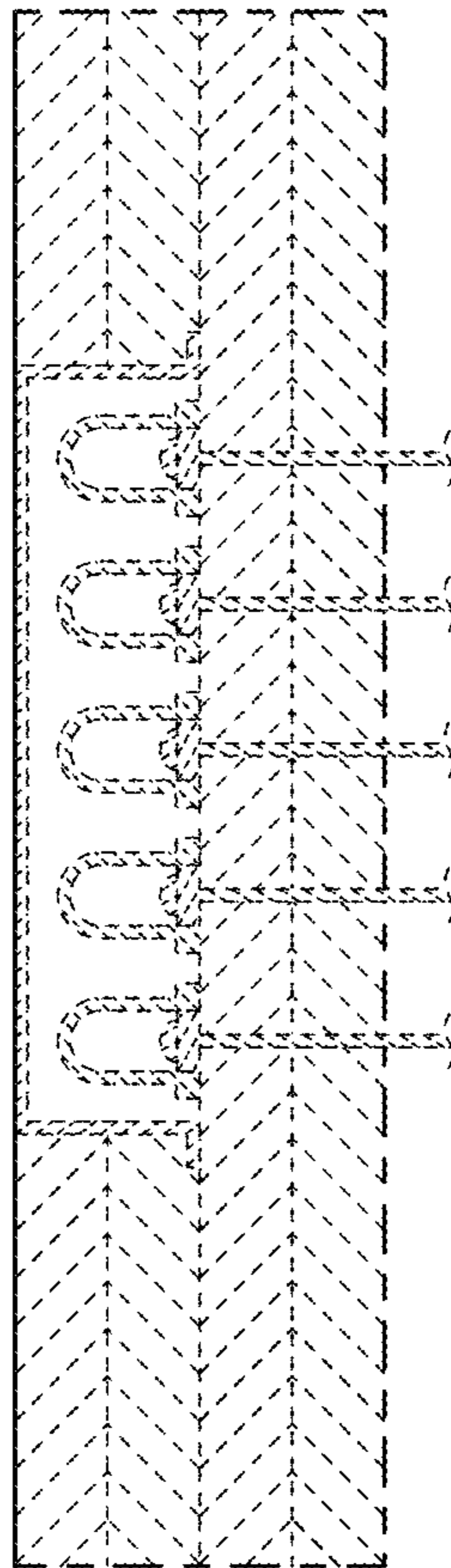


FIG. 9