



US00D839455S

(12) **United States Design Patent**
Coric

(10) **Patent No.:** **US D839,455 S**

(45) **Date of Patent:** **** Jan. 29, 2019**

(54) **BASEBOARD AND INSIDE CORNER KIT**

(71) Applicant: **Ronny Coric**, Torrance, CA (US)

(72) Inventor: **Ronny Coric**, Torrance, CA (US)

(**) Term: **15 Years**

(21) Appl. No.: **29/586,696**

(22) Filed: **Dec. 6, 2016**

Related U.S. Application Data

(62) Division of application No. 29/493,267, filed on Jun. 6, 2014, now Pat. No. Des. 791,982.

(51) **LOC (11) Cl.** **25-99**

(52) **U.S. Cl.**
USPC **D25/199**

(58) **Field of Classification Search**

USPC D25/35, 38.1, 39, 40, 41.1, 42, 43, 44,
D25/48.3, 48.4, 58, 60, 61, 119-129, 132,
D25/136, 138; D8/323, 349, 353-355,
D8/366, 367, 371, 373-375, 380-382,
D8/386, 400-403; D6/702, 718, 718.3,
D6/718.22

(Continued)

(56) **References Cited**

U.S. PATENT DOCUMENTS

2,705,250 A * 3/1955 Kirkman H01M 6/12
429/153
2,787,037 A * 4/1957 Hobbs A47B 3/12
403/321

(Continued)

Primary Examiner — Cynthia Ramirez

Assistant Examiner — L. Martinez

(74) *Attorney, Agent, or Firm* — George P White

(57) **CLAIM**

The ornamental design for a baseboard and inside corner kit, as shown and described.

DESCRIPTION

FIG. 1 is a top, front perspective view of a baseboard and inside corner kit showing my new design;

FIG. 2 is a top, front perspective view of the inside corner piece in FIG. 1, shown separately for clarity of illustration; FIG. 3 is a top plan view of the inside corner piece in FIG. 2;

FIG. 4 is a side elevation view of the inside corner piece in FIG. 2;

FIG. 5 is a top, front perspective view of the coupling plate in FIG. 1, shown separately for clarity of illustration;

FIG. 6 is a front elevation view of the coupling plate in FIG. 5;

FIG. 7 is a top plan view of the coupling plate in FIG. 5;

FIG. 8 is a side elevation view of the coupling plate in FIG. 5, the opposite side elevation view being a mirror image thereof;

FIG. 9 is a top, front perspective view of the baseboard in FIG. 1, shown separately for clarity of illustration;

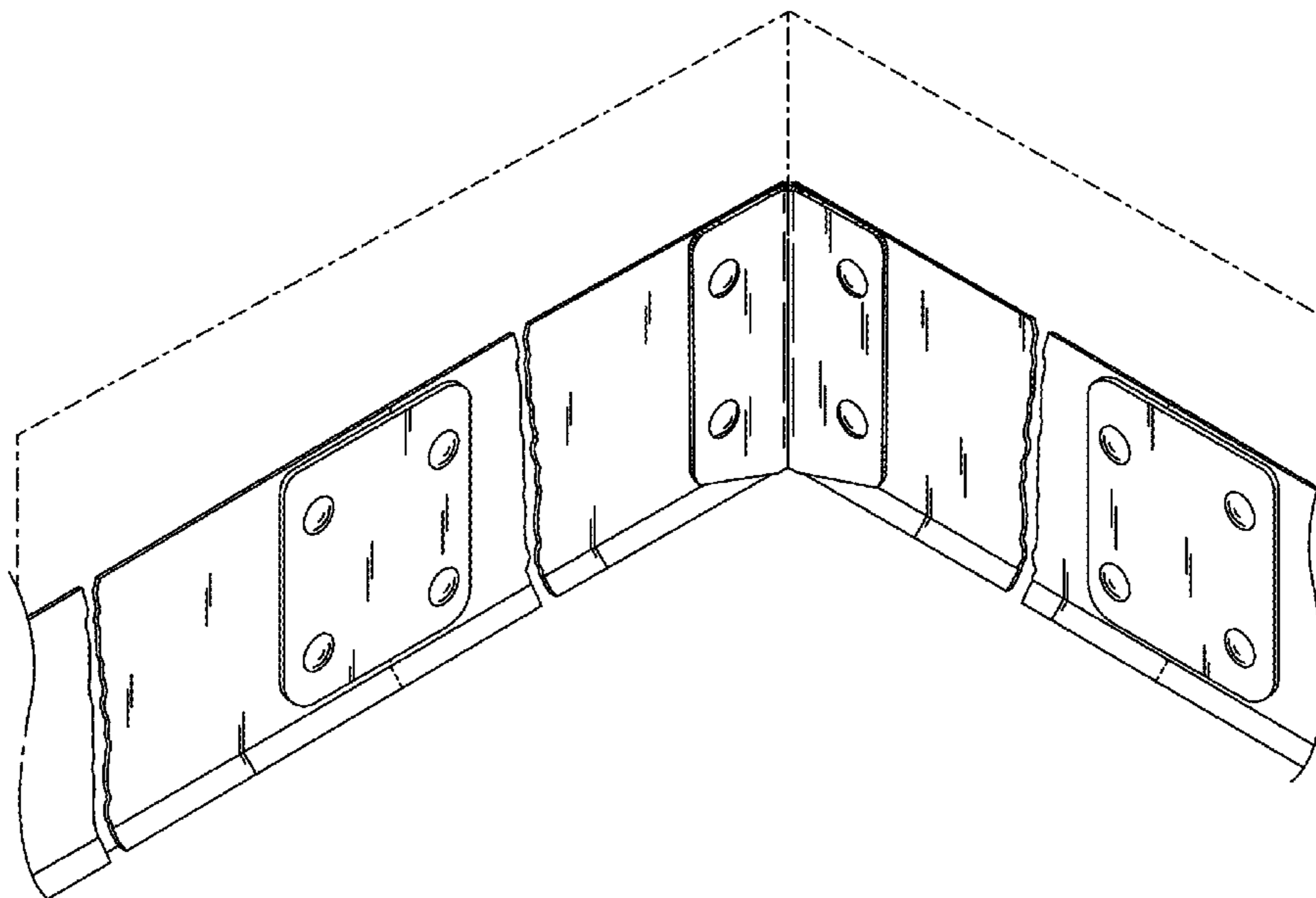
FIG. 10 is a front elevation view of the baseboard in FIG. 9;

FIG. 11 is a side elevation view of the baseboard in FIG. 9, the opposite side being a mirror image thereof; and,

FIG. 12 is a top plan view of the baseboard in FIG. 9.

The baseboard and inside corner kit is shown with symbolic breaks in its length. The appearance of any portion of the baseboard and corner kit between the break lines forms no part of the claimed design. The dash-dot-dash broken lines shown in FIGS. 1 and 2 illustrate environmental subject matter only and form no part of the claimed design. The evenly spaced broken lines in FIGS. 3, 4, 7 and 8 illustrate portions of the baseboard and inside corner kit that form no part of the claimed design.

1 Claim, 5 Drawing Sheets



US D839,455 S

(58) **Field of Classification Search**

CPC Y10T 29/49627; Y10T 403/73; F16M
13/025; F16M 13/027; F16M 2200/08;
A47B 96/022

See application file for complete search history.

(56) **References Cited**

U.S. PATENT DOCUMENTS

4,593,961 A * 6/1986 Cosmo H05K 7/1061
439/260
5,051,101 A * 9/1991 Komatsu G06K 13/08
439/159
D378,748 S * 4/1997 Miller D8/354
D394,632 S * 5/1998 Miller D8/354
5,746,611 A * 5/1998 Brown H01R 13/5213
439/135
D422,886 S * 4/2000 Shea D8/354
6,045,416 A * 4/2000 Sinclair H01R 13/04
439/72

D432,000 S * 10/2000 Hays D8/354
D432,394 S * 10/2000 Hays D8/354
D436,017 S * 1/2001 Hays D8/354
6,193,543 B1 * 2/2001 Howard H01R 13/5833
439/459
D442,197 S * 5/2001 Willet D8/354
D510,772 S * 10/2005 Newland D25/58
D529,196 S * 9/2006 Folliard D25/119
D598,272 S * 8/2009 Tejszerski D8/349
D601,409 S * 10/2009 Bowe D8/349
D616,690 S * 6/2010 Lau D6/718
D619,879 S * 7/2010 McCarthy D8/354
D647,386 S * 10/2011 Pelini D8/349
D660,132 S * 5/2012 Yoder D8/354
D667,289 S * 9/2012 Preda D8/354
D672,287 S * 12/2012 Noble D8/349
D704,667 S * 5/2014 Sharpe D13/155
D732,708 S * 6/2015 Stauffer D8/354
D732,868 S * 6/2015 Lawlor D6/718
D791,982 S * 7/2017 Coric D25/199
D793,789 S * 8/2017 Rawls-Meehan D6/718

* cited by examiner

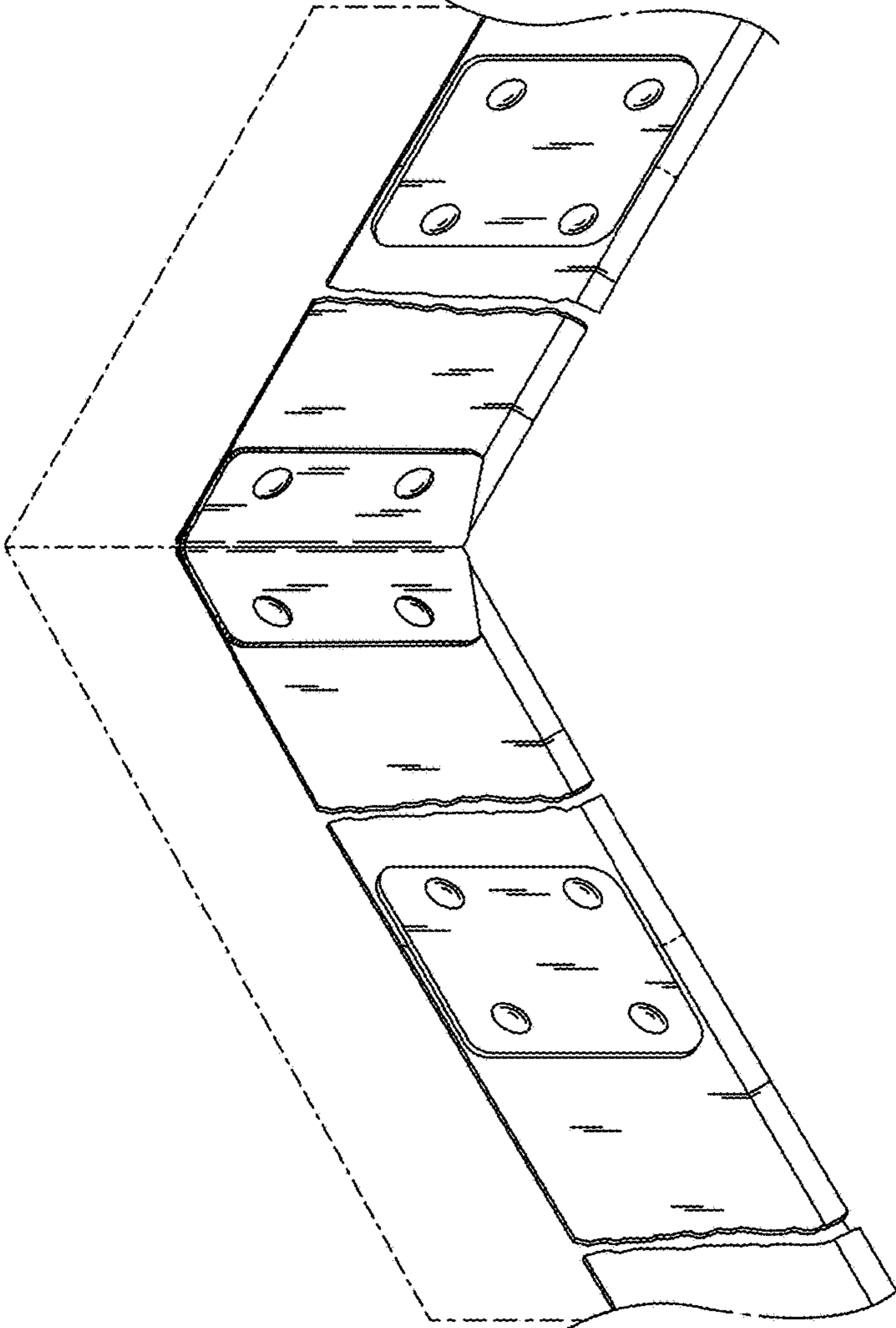


FIG. 1

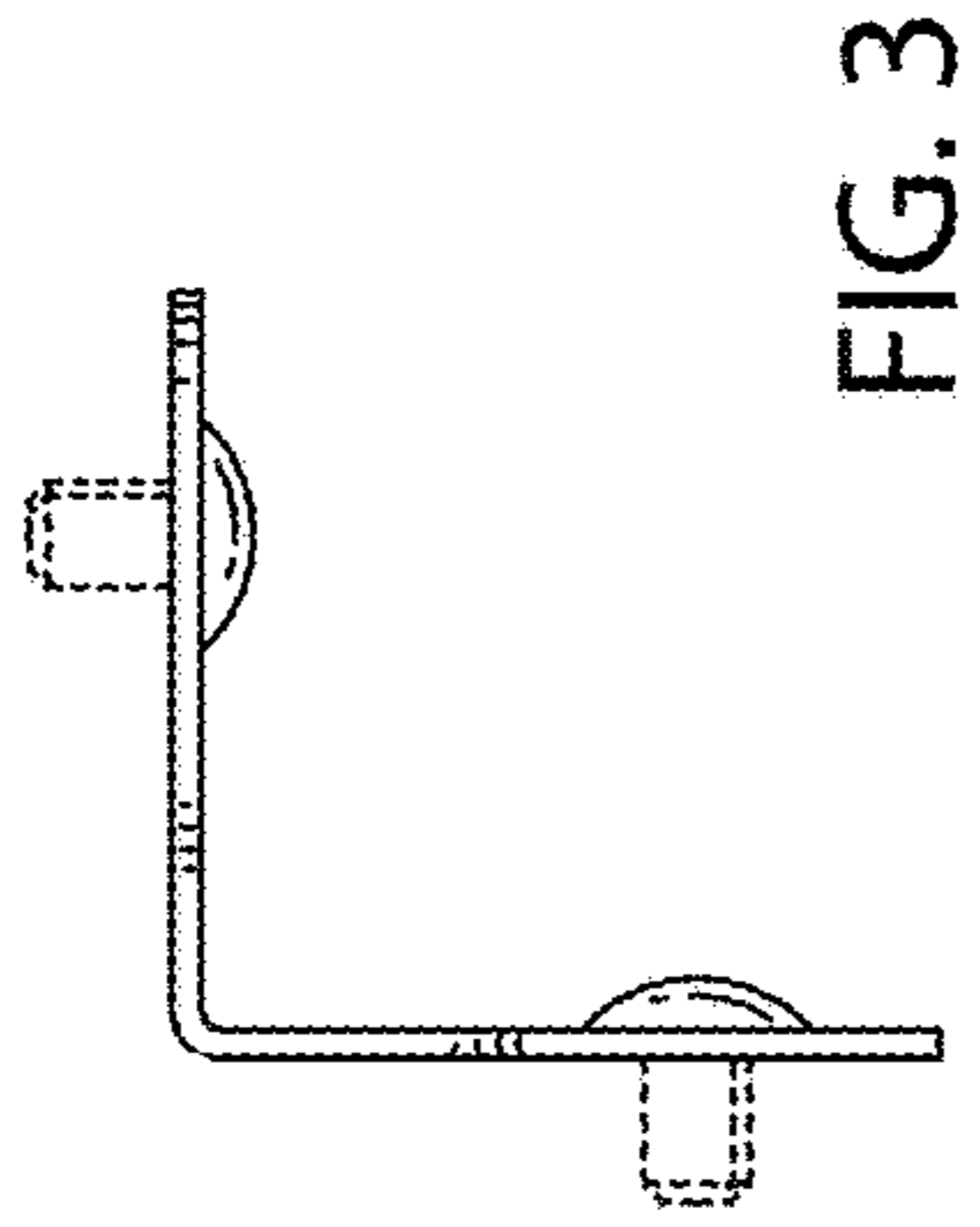


FIG. 3

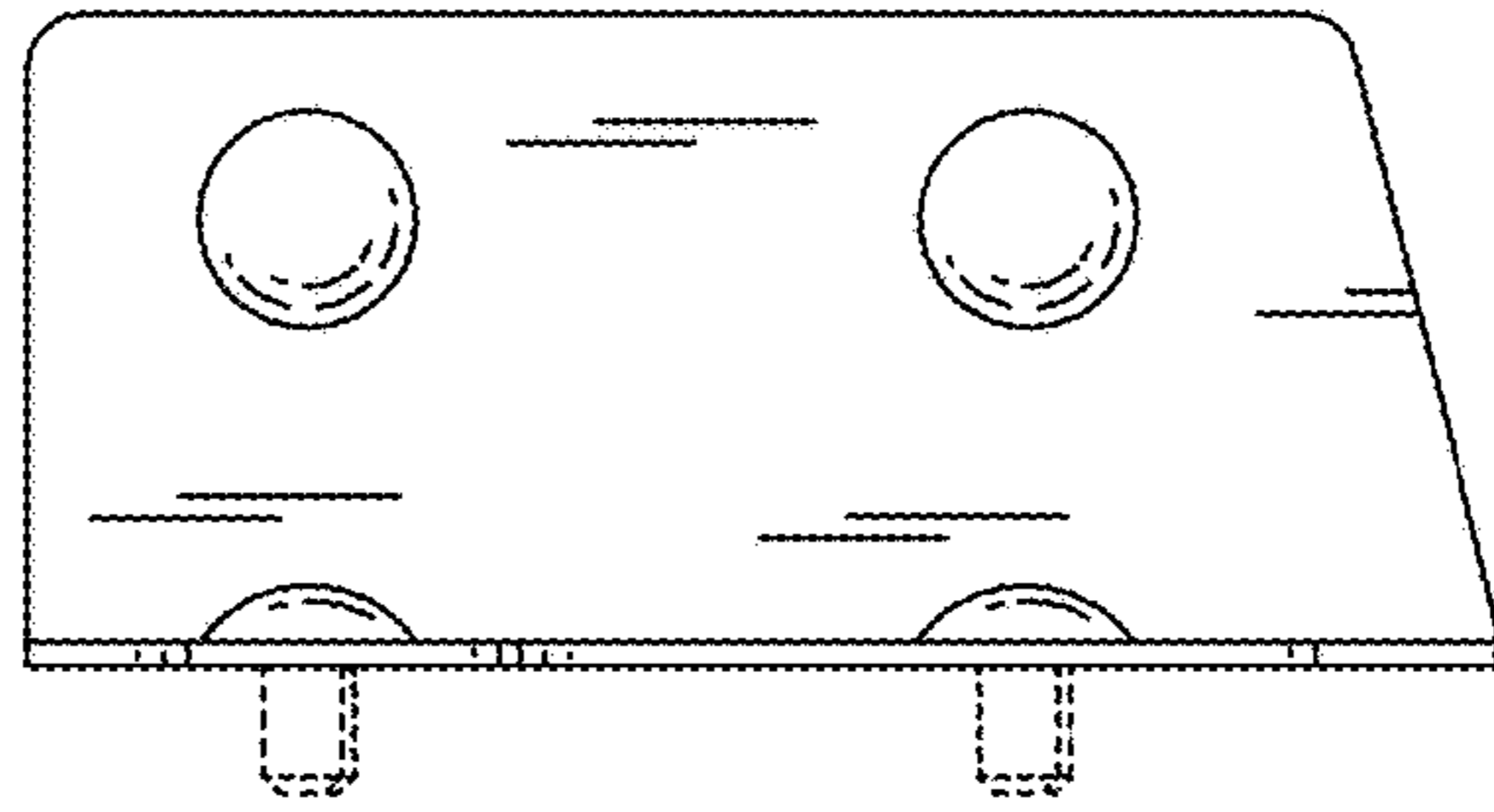


FIG. 4

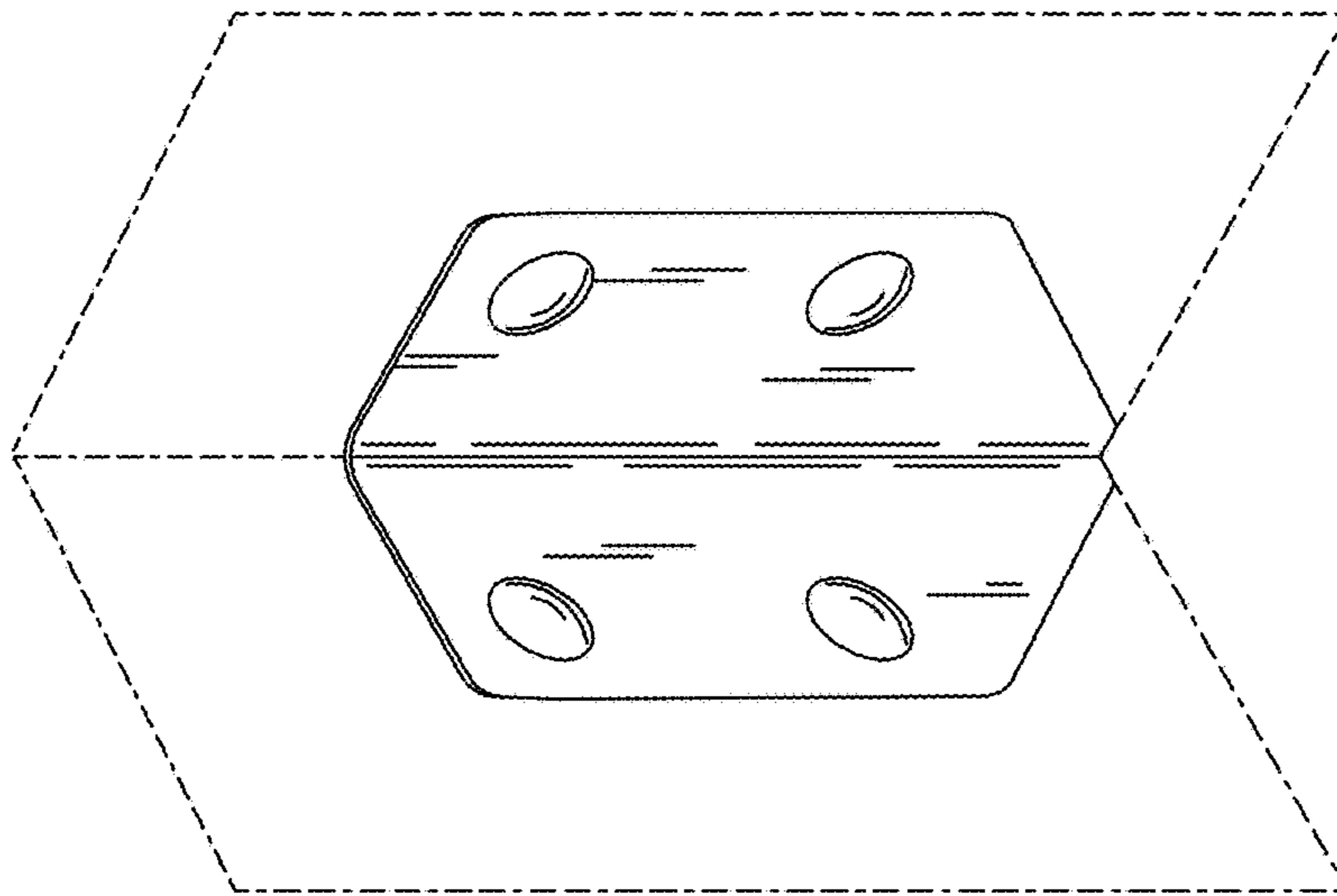


FIG. 2

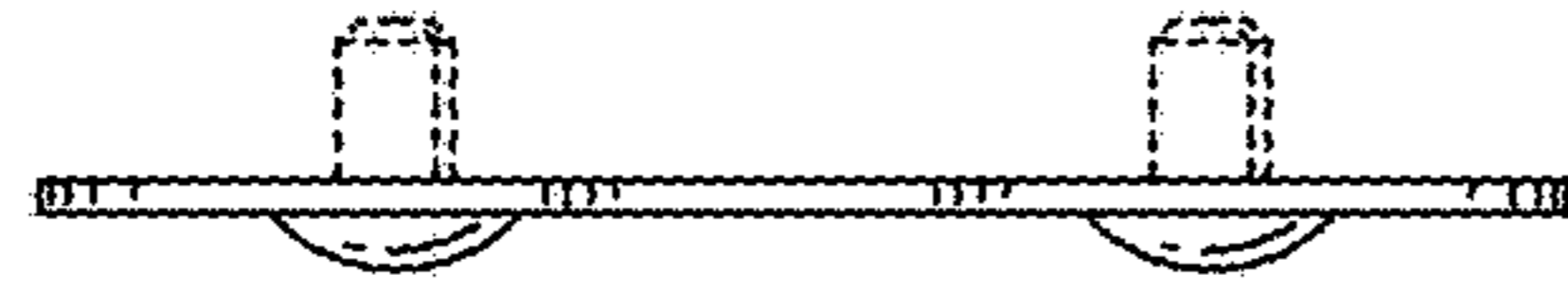


FIG. 8

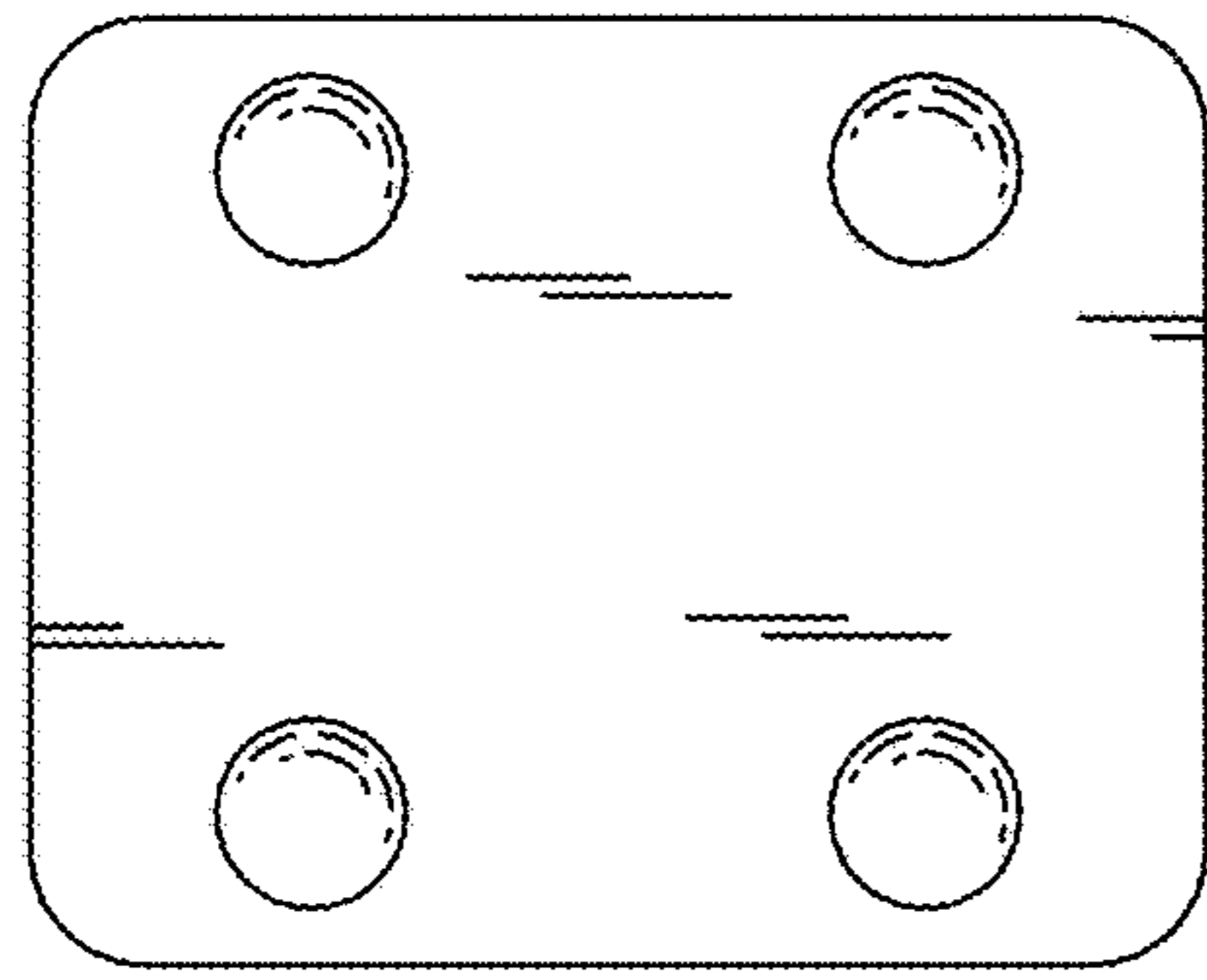


FIG. 6

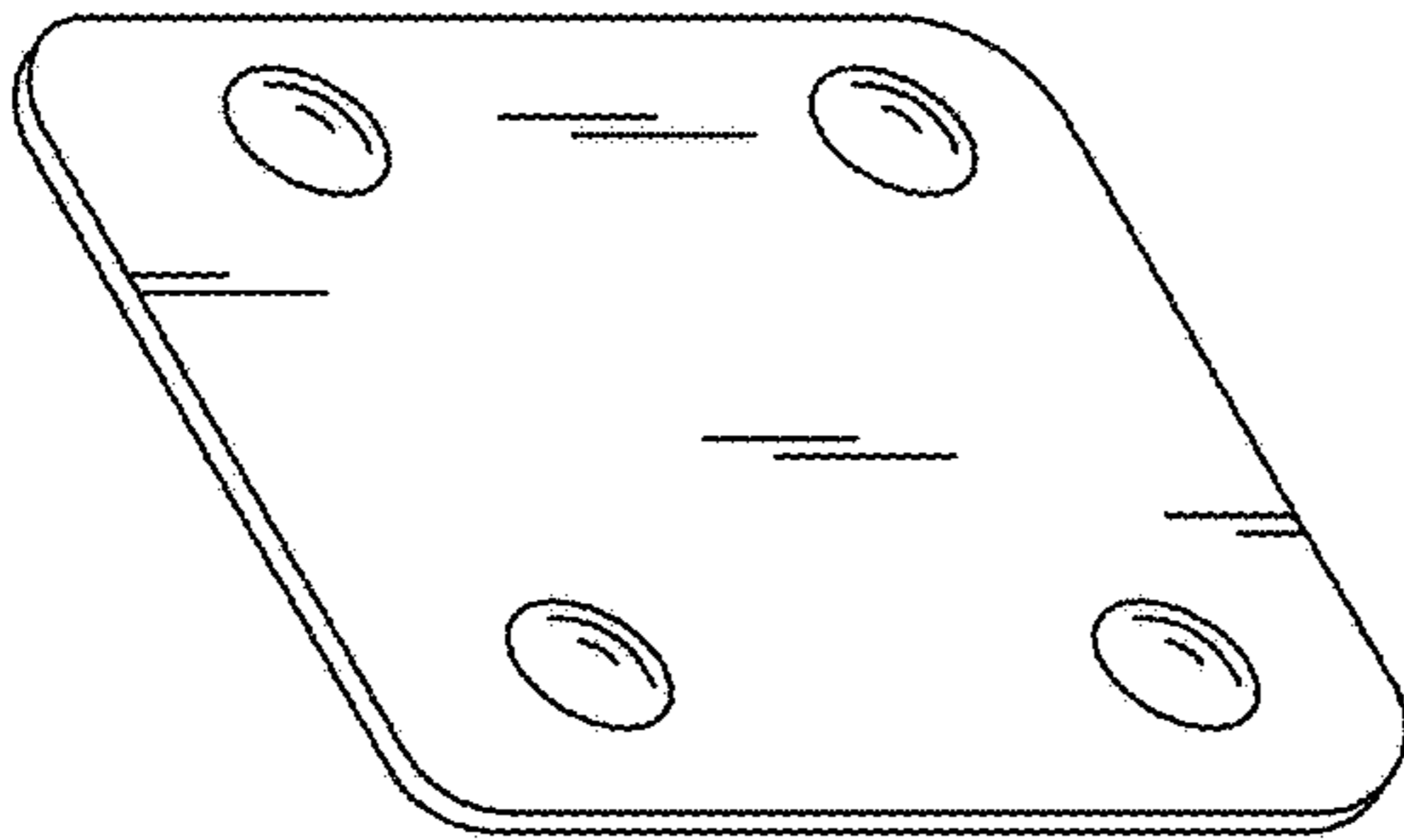


FIG. 5

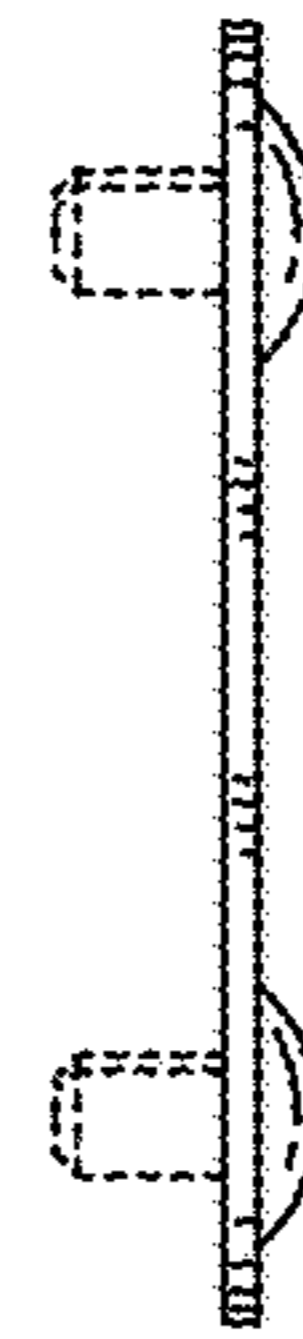


FIG. 7

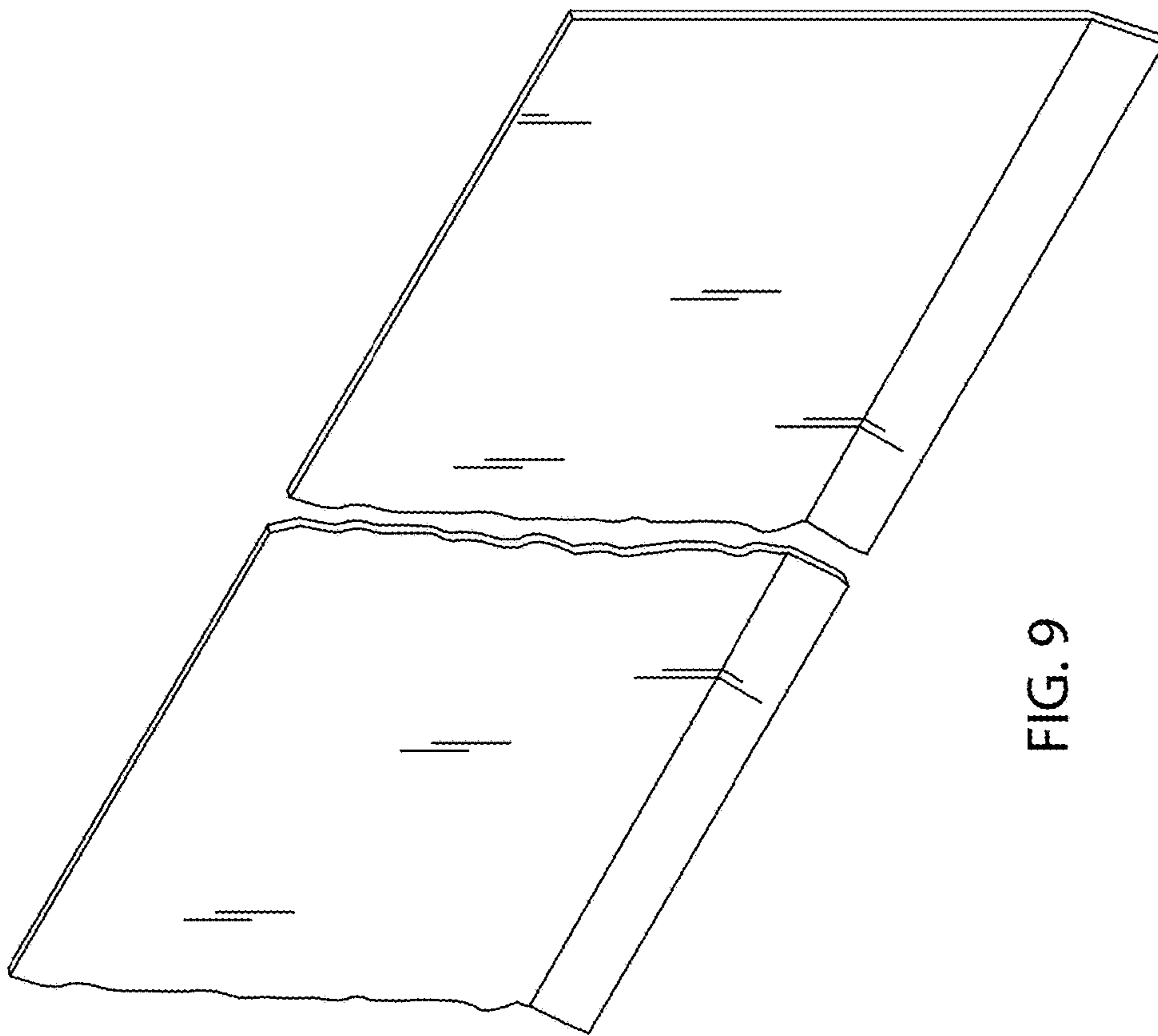


FIG. 9



FIG. 11

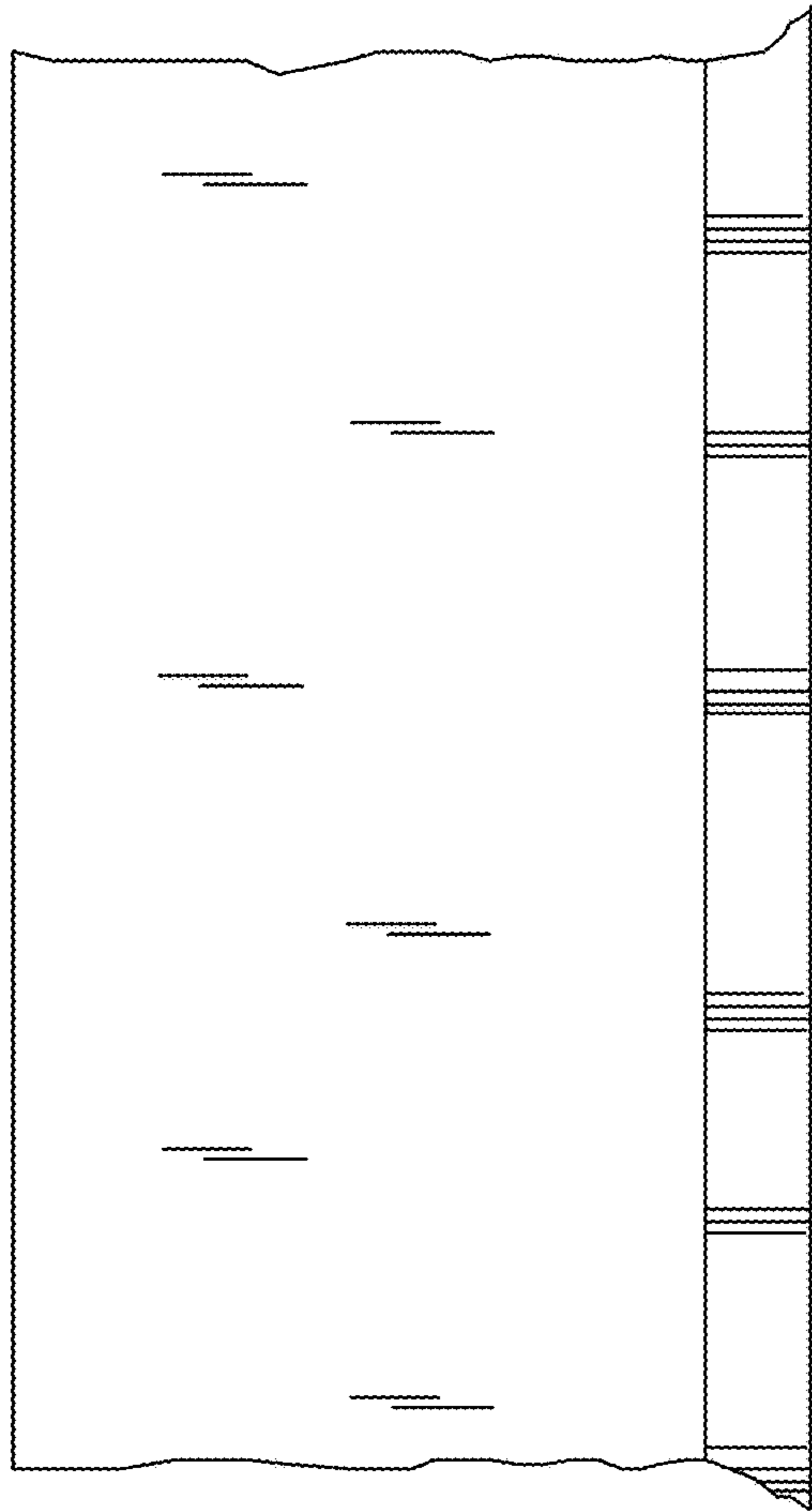


FIG. 10

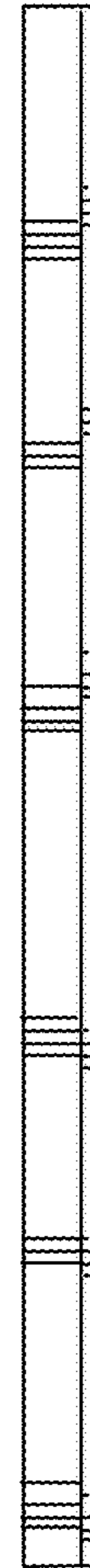


FIG. 12