



US00D839452S

(12) **United States Design Patent** (10) **Patent No.:** **US D839,452 S**
Frick (45) **Date of Patent:** **** Jan. 29, 2019**

(54) **PANEL** 1,845,080 A * 2/1932 Eyring E04B 1/99
181/284
(71) Applicant: **c/o Dolby Laboratories Licensing Corporation, San Francisco, CA (US)** 1,957,947 A 5/1934 Dreyfuss
D101,745 S 10/1936 Ryle
(Continued)

(72) Inventor: **Paul Frick, San Francisco, CA (US)**
(73) Assignee: **Dolby Laboratories Licensing Corporation, San Francisco, CA (US)**

FOREIGN PATENT DOCUMENTS

CN 302983826 10/2014
EM 002443705-0005 5/2014
EM 002443705-0006 5/2014

(**) Term: **15 Years**

OTHER PUBLICATIONS

(21) Appl. No.: **29/568,630**

Alexander Wong, UA Shenzhen, images 5-10 at <http://www.alexanderwong.com.hk/ua_shenzhen.htm>, available at least as early as Oct. 16, 2013.

(22) Filed: **Jun. 20, 2016**

(51) **LOC (11) Cl.** **25-01**

(Continued)

(52) **U.S. Cl.**
USPC **D25/138**

(58) **Field of Classification Search**
USPC D6/310, 332, 643, 643.1, 703, 710, 365,
D6/647, 653.14, 653.21, 654.14, 654.21,
D6/655.21, 656.16, 675.5, 688.26, 709.16,
D6/709.17; D25/58
CPC E04B 2/74; E04B 2/7407; E04B 2/7422;
E04B 2/7433; E04B 2/7438; E04B
2001/2481; E04B 1/84; E04B 1/8404;
E04B 1/82; E04B 1/8209; E04B 1/8227;
E04B 2001/8263; E04B 2001/8471; E04B
2/7401; E04B 2/7416; E04B 2/7437;
E04B 2/7405; E04B 2/7414; E04B 2/76;
E04B 2/761; E04B 2/766; E04B 1/8409;
E04B 2001/8423; E04B 2001/8428; E04B
2001/8452; E04B 2001/8457; E04B 1/99;
A47F 5/105; G10K 11/168; E06B 9/24

Primary Examiner — Vy N Koenig
Assistant Examiner — Kimberly Barnes
(74) *Attorney, Agent, or Firm* — Saidman DesignLaw Group, LLC

See application file for complete search history.

(57) **CLAIM**

The ornamental design for a panel, as shown and described.

DESCRIPTION

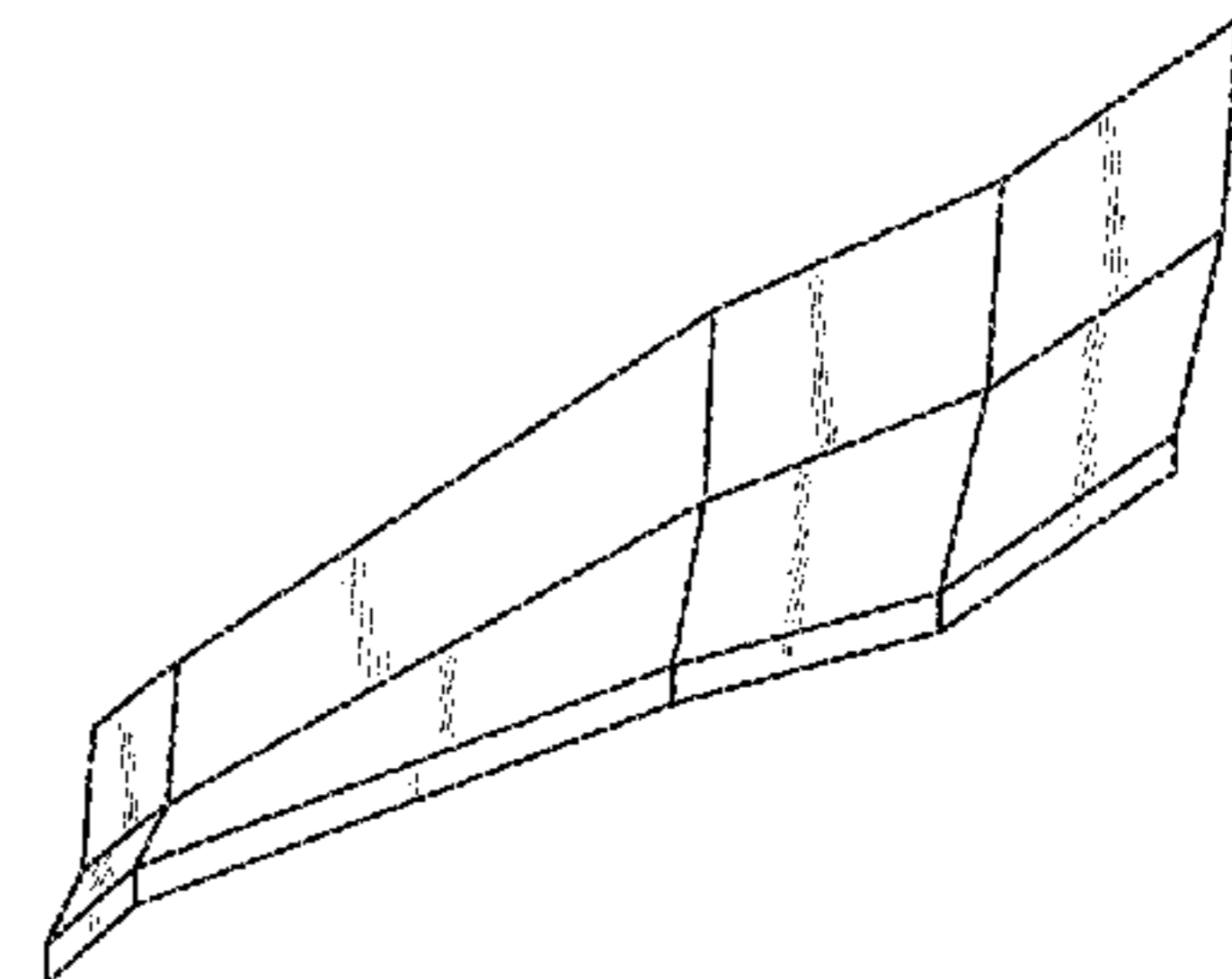
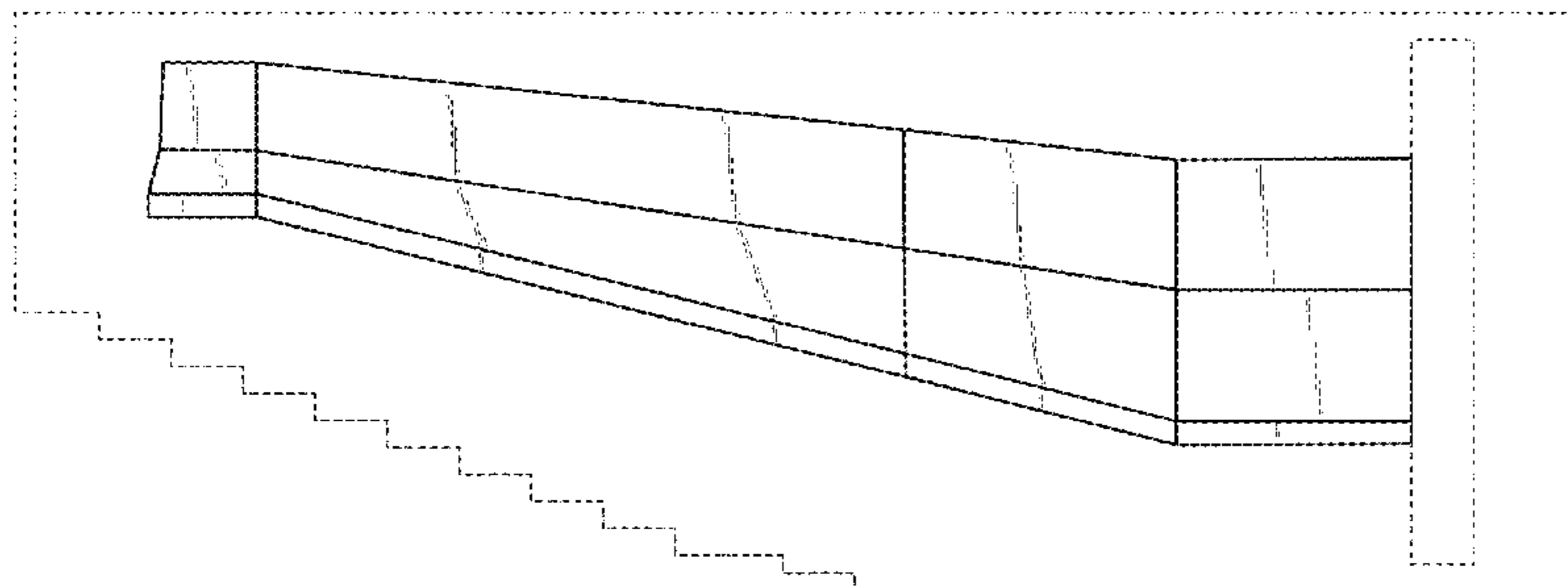
FIG. 1 is a front view of a panel showing my new design in an environment of use;
FIG. 2 is a front view thereof;
FIG. 3 is a rear view thereof;
FIG. 4 is a top view thereof;
FIG. 5 is a bottom view thereof;
FIG. 6 is a front, right perspective view thereof;
FIG. 7 is another perspective view thereof; and,
FIG. 8 is another perspective view thereof.
The broken lines in FIG. 1 illustrate environmental subject matter that forms no part of the claimed design. The broken lines in FIGS. 3-4 illustrate portions of the panel that form no part of the claimed design.

(56) **References Cited**

U.S. PATENT DOCUMENTS

D51,399 S 10/1917 Taylor
1,348,024 A 7/1920 McCarthy
D85,717 S 12/1931 Smith

1 Claim, 6 Drawing Sheets



(56)

References Cited

U.S. PATENT DOCUMENTS

D107,242 S 11/1937 Kuebler
 2,259,646 A 10/1941 Liehburg
 D151,715 S 11/1948 Rettinger
 3,143,194 A 8/1964 Hart
 3,293,807 A 12/1966 Ramsell
 3,321,877 A 5/1967 Alexieff
 3,407,546 A * 10/1968 Yates E04L 31/34384
 135/115
 3,427,767 A 2/1969 Schaefer
 3,439,459 A 4/1969 Silberkuhl
 3,685,220 A * 8/1972 Morrison E04L 31/3442
 52/143
 3,823,517 A 7/1974 Penaloza
 3,854,266 A * 12/1974 Salas E04L 31/34378
 52/18
 3,874,141 A 4/1975 Olson et al.
 3,893,277 A 7/1975 Constant
 D239,279 S * 3/1976 Johnson D25/38.1
 4,180,950 A 1/1980 Foster
 4,227,334 A * 10/1980 Hooker A63H 33/16
 428/542.8
 D257,742 S 12/1980 Gerlach
 D272,947 S 3/1984 Beasley, III
 4,672,780 A 6/1987 Lockwood
 4,686,799 A 8/1987 Kwake
 D292,613 S 11/1987 Schwartz
 4,720,945 A 1/1988 Berranger et al.
 4,821,471 A 4/1989 Stephens et al.
 4,962,420 A 10/1990 Judenich
 5,069,008 A 12/1991 Ellen
 5,469,669 A 11/1995 Alter
 5,623,790 A * 4/1997 Lalvani A63B 9/00
 52/79.1
 5,822,928 A 10/1998 Maxwell et al.
 5,899,842 A * 5/1999 Di Pilla B31D 5/00
 493/399
 5,964,064 A 10/1999 Goddard et al.
 D416,633 S 11/1999 Horton

6,006,476 A 12/1999 Zarnick
 D473,952 S 4/2003 Smith et al.
 D551,419 S * 9/2007 Kleewein D34/30
 7,743,880 B2 * 6/2010 Matsumura B61D 17/185
 181/151
 D630,767 S * 1/2011 Teuffel D25/27
 D667,966 S 9/2012 Ismay et al.
 D674,114 S 1/2013 Van De Ven
 D685,133 S 6/2013 Yamamoto et al.
 D739,558 S 9/2015 Oehl et al.
 D739,559 S 9/2015 Oehl et al.
 D739,560 S 9/2015 Oehl et al.
 2003/0205016 A1 11/2003 Gulbrandsen et al.
 2006/0150530 A1 7/2006 Davey
 2010/0066818 A1 3/2010 Goto
 2016/0153208 A1 6/2016 Oehl et al.

OTHER PUBLICATIONS

Cinema City Cotroceni Megaplex Opens in Bucharest; Global city Holdings at <<http://globalcityholdings.com/a/761,cinema-city-cotroceni-megaplex-opens-in-bucharest-23-november-2009->>, available at least as early as Nov. 23, 2009.
 Panasonic Center Osaka, Case Study—Projector, Panasonic, available at least as early as Nov. 30, 2014.
 U.S. Appl. No. 29/510,523 of Wilhelm Oehl et al. titled “Theater” filed Nov. 30, 2014 (unpublished).
 U.S. Appl. No. 14/556,178 of Wilhelm Oehl et al. titled “Theater Entrance” filed Nov. 30, 2014 (unpublished).
<http://archpaper.com/2011/11/wris-allen-theater-renovation-eventscape/> Posted Nov. 4, 2011.
<http://www.photonics.com/Article.aspx?AID-57609> Available Aug. 2015.
<http://www.behance.net/gallery/3806845/Photoshoot-Allen-Theatre-Cleveland-Ohio> Published May 1, 2012.
<http://www.youtube.com/watch?v=jvehbm4Qz-c> Posted Dec. 5, 2014.

* cited by examiner

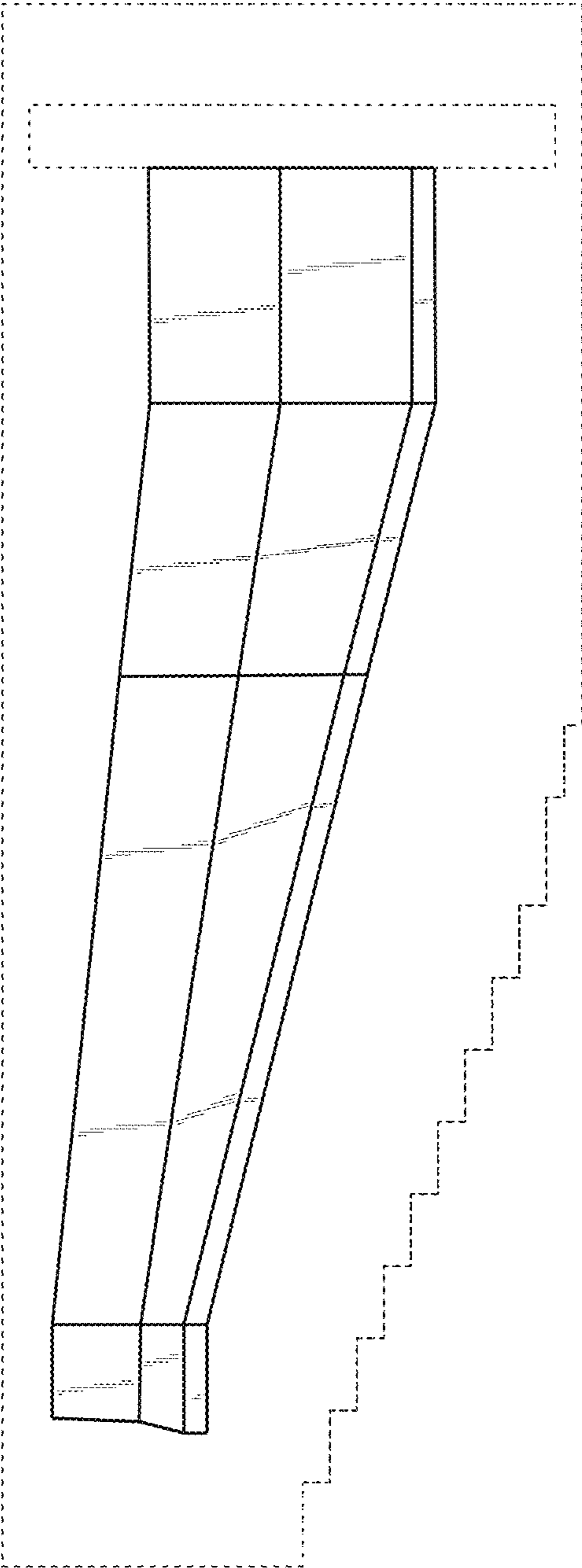


Fig. 1

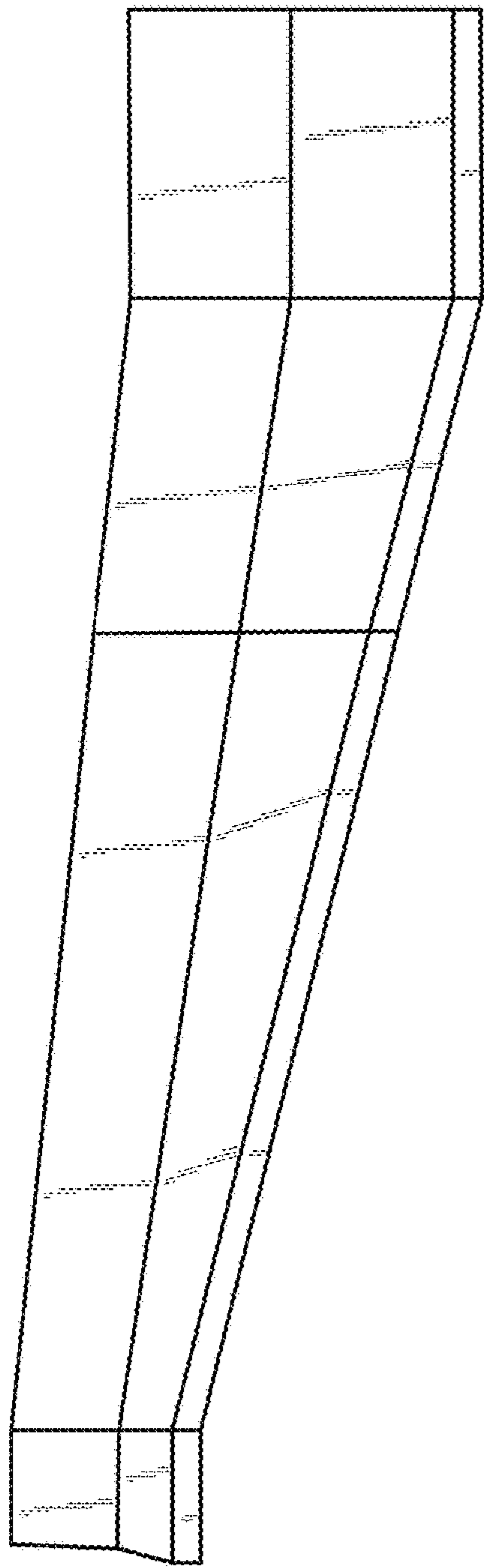


Fig. 2

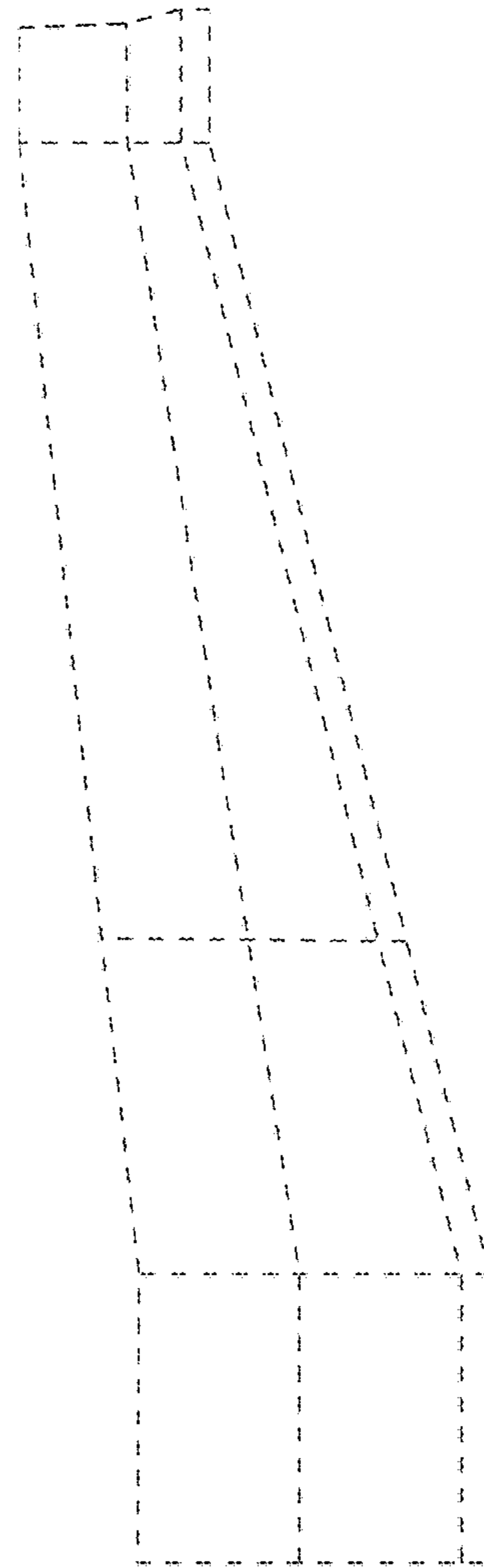


Fig. 3



Fig. 4

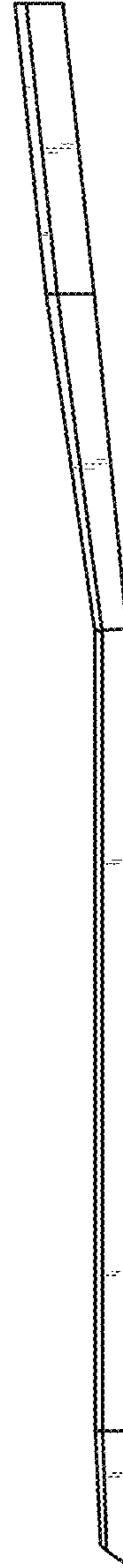


Fig. 5

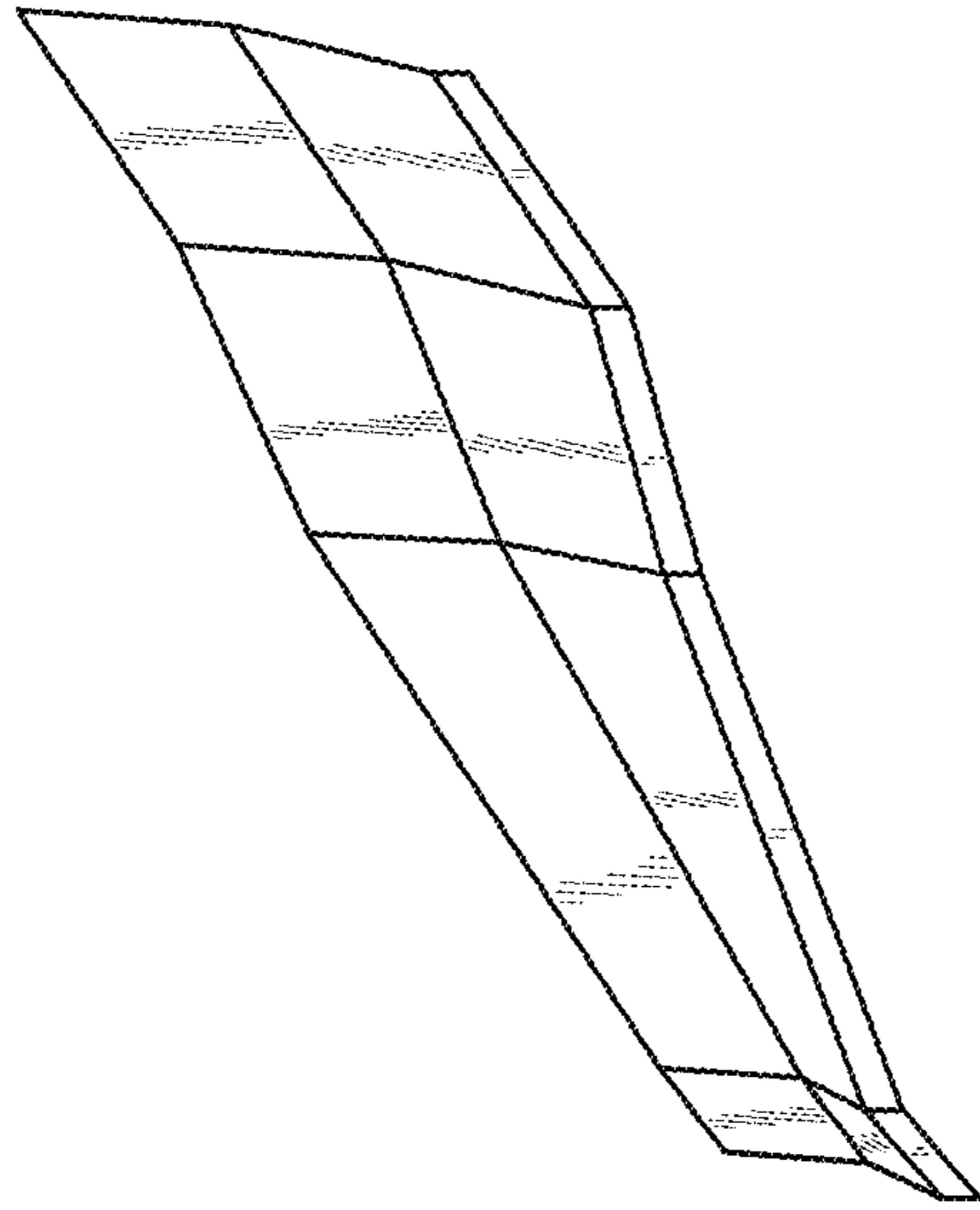


Fig. 6

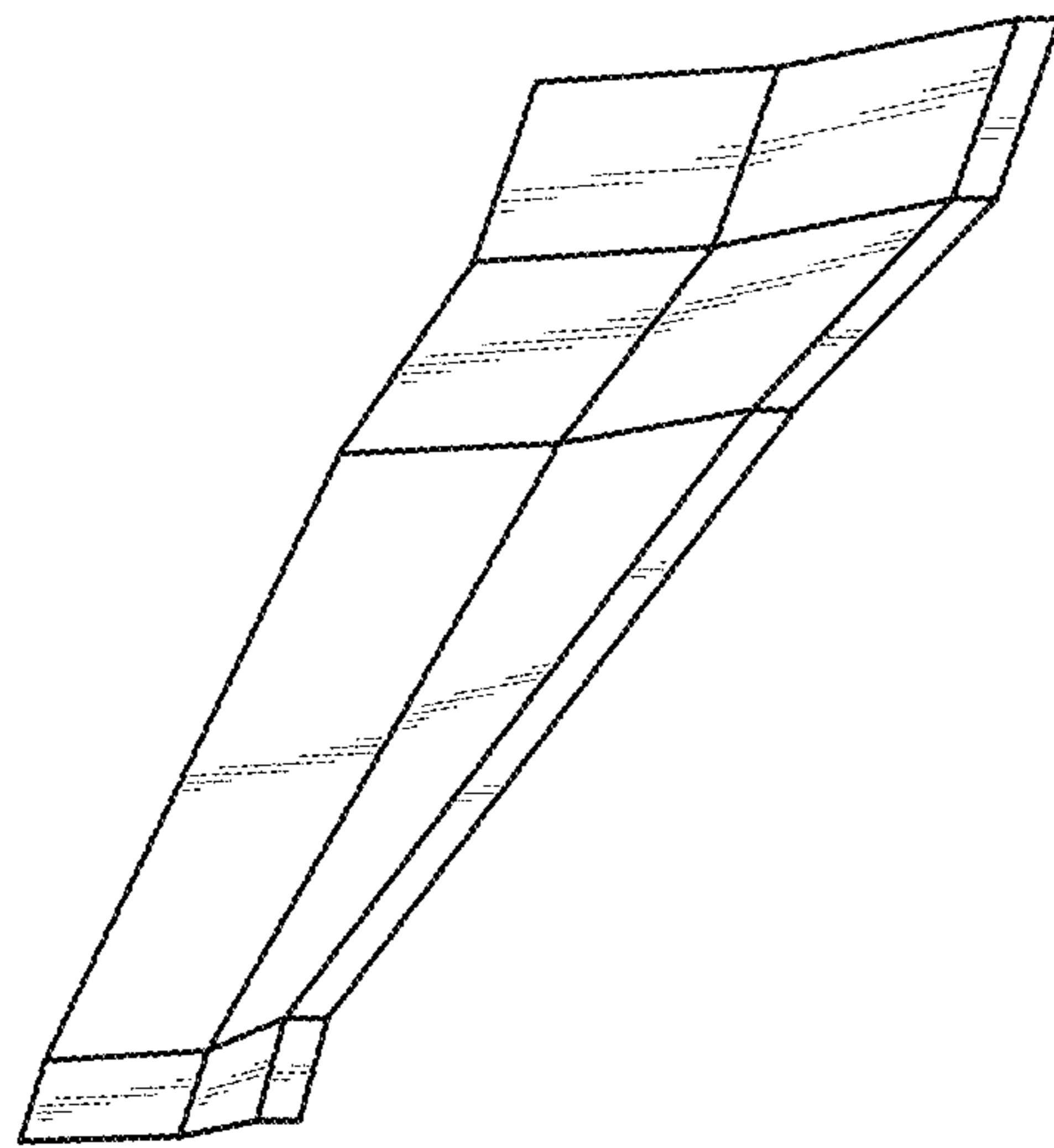


Fig. 7

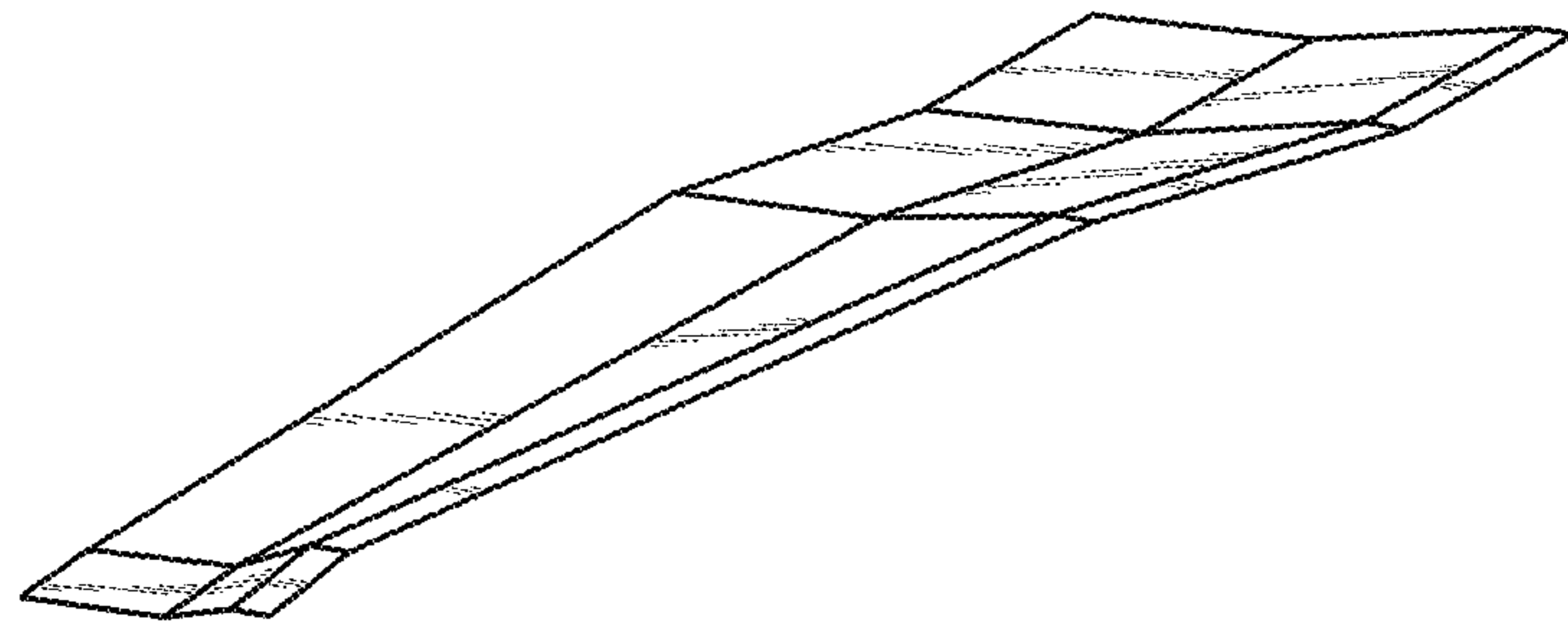


Fig. 8