



US00D839450S

(12) **United States Design Patent**
Lanzafame

(10) **Patent No.:** **US D839,450 S**
(45) **Date of Patent:** **** Jan. 29, 2019**

(54) **LADDER STABILIZER**

(71) Applicant: **Philip F. Lanzafame**, Poulsbo, WA
(US)

(72) Inventor: **Philip F. Lanzafame**, Poulsbo, WA
(US)

(**) Term: **15 Years**

(21) Appl. No.: **29/649,242**

(22) Filed: **May 29, 2018**

Related U.S. Application Data

(63) Continuation-in-part of application No. 29/581,452,
filed on Oct. 19, 2016, now Pat. No. Des. 819,230.

(51) **LOC (11) Cl.** **25-04**

(52) **U.S. Cl.**
USPC **D25/68**

(58) **Field of Classification Search**
USPC D25/62-69; 182/107, 111, 108, 180.2,
182/205, 204, 172
CPC . E06C 7/423; E06C 7/44; E06C 7/482; E06C
7/46; E06C 1/34; E06C 7/42; E06C 7/188
See application file for complete search history.

(56) **References Cited**

U.S. PATENT DOCUMENTS

- 3,933,221 A * 1/1976 Sorenson E06C 7/42
182/172
- 5,678,656 A * 10/1997 Lanzafame E06C 7/44
182/111
- 5,704,451 A * 1/1998 King E06C 7/44
182/111

- 5,715,908 A * 2/1998 Sager E06C 7/44
182/111
- 5,908,085 A * 6/1999 Lovelady E06C 7/44
182/111
- D584,422 S * 1/2009 Dangrow D25/68
- D662,607 S * 6/2012 Lawson, Jr. D25/68
- 8,256,573 B2 * 9/2012 Dangrow E06C 7/003
182/204
- 9,834,989 B2 * 12/2017 Lanzafame E06C 7/426

* cited by examiner

Primary Examiner — Cynthia Ramirez

Assistant Examiner — Gino Colan

(74) *Attorney, Agent, or Firm* — Tucker Ellis LLP; Carlos P. Garritano

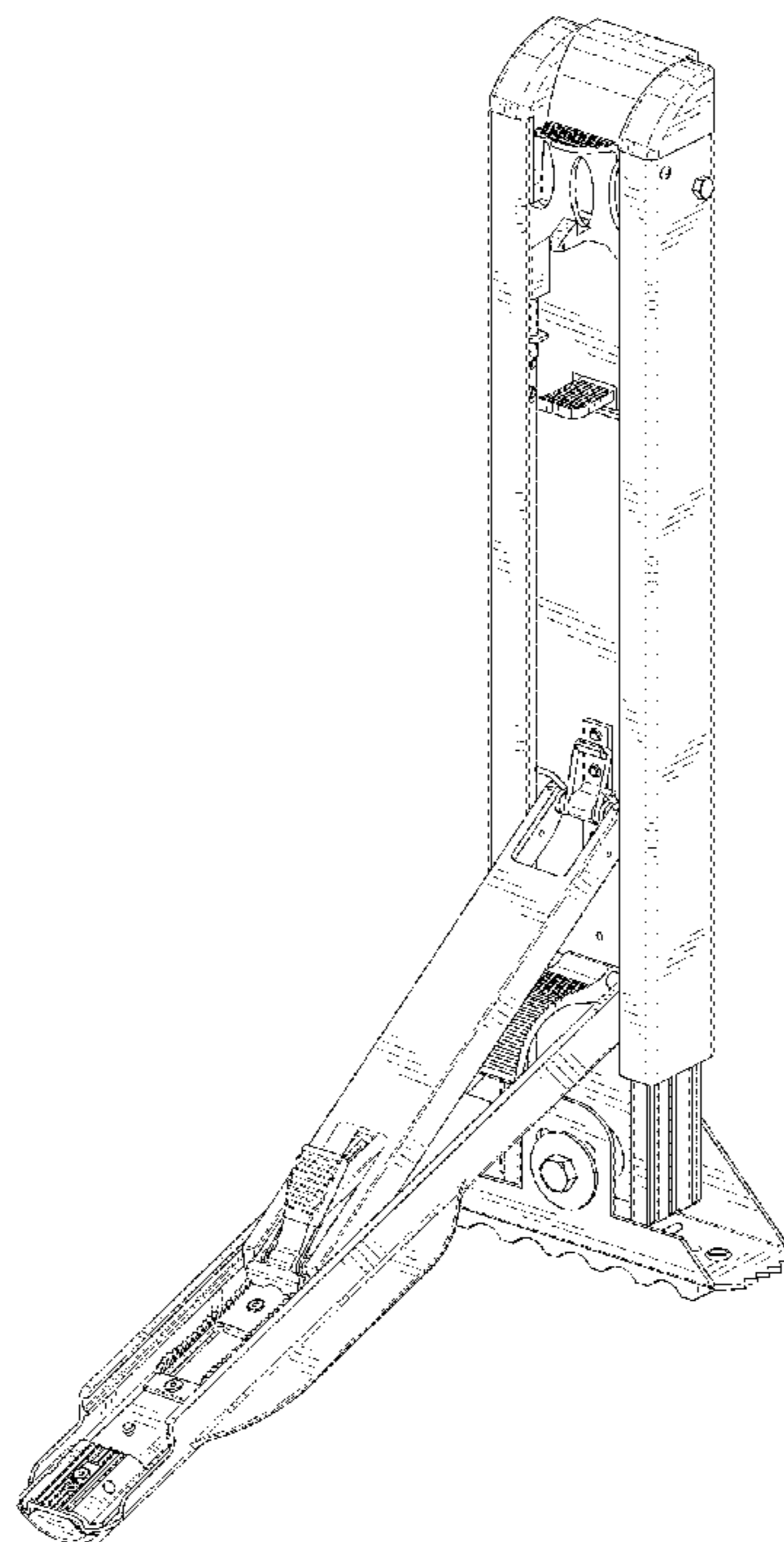
(57) **CLAIM**

The ornamental design for a ladder stabilizer, as shown and described.

DESCRIPTION

FIG. 1 is a perspective view of a ladder stabilizer showing my new design;
 FIG. 2 is a front view of the ladder stabilizer illustrated in FIG. 1;
 FIG. 3 is a left side view of the ladder stabilizer illustrated in FIG. 1;
 FIG. 4 is a rear view of the ladder stabilizer illustrated in FIG. 1;
 FIG. 5 is a right side view of the ladder stabilizer illustrated in FIG. 1;
 FIG. 6 is a top side view of the ladder stabilizer illustrated in FIG. 1; and,
 FIG. 7 is a bottom side view of the ladder stabilizer illustrated in FIG. 1.

1 Claim, 7 Drawing Sheets



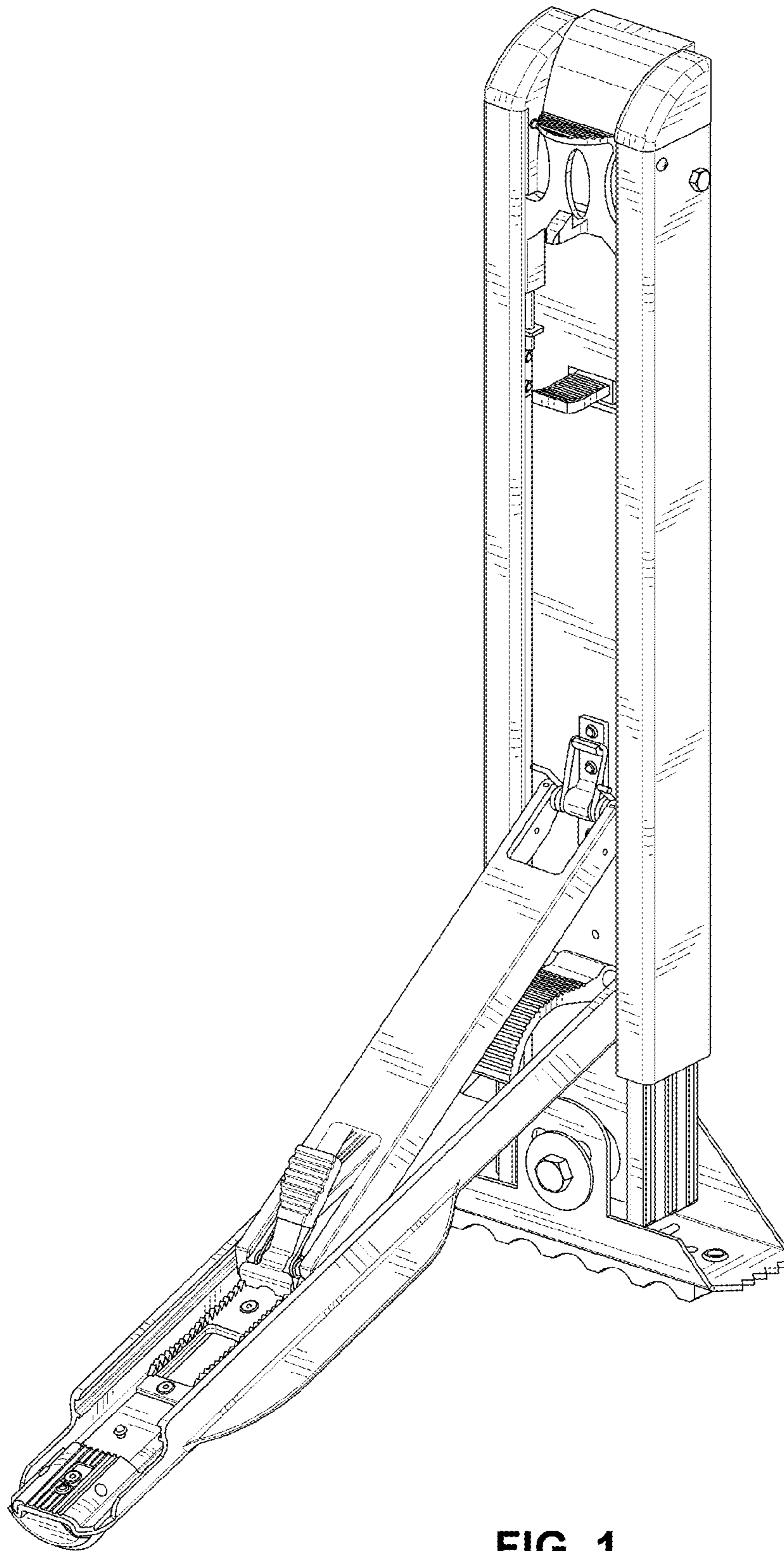


FIG. 1

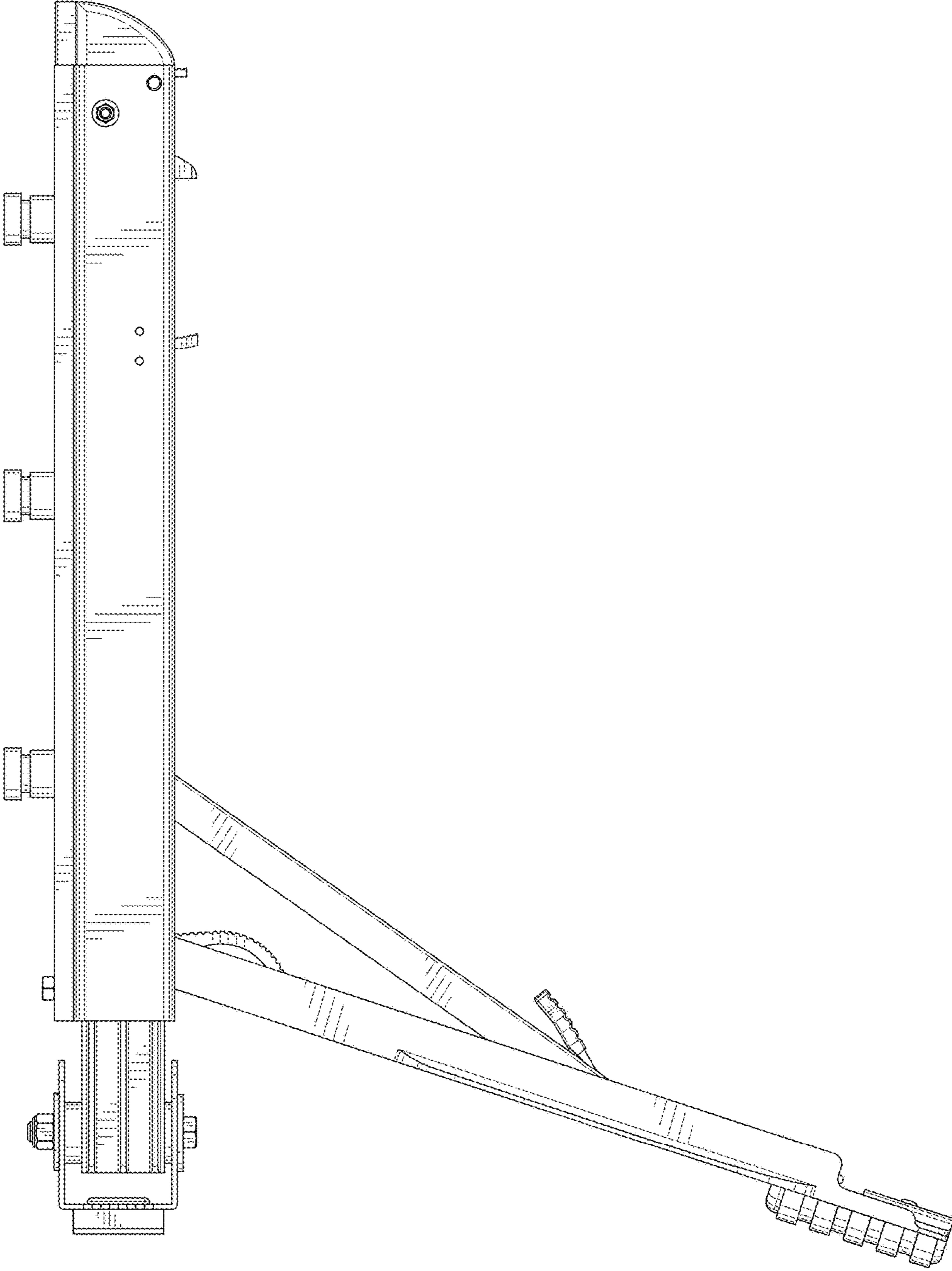


FIG. 2

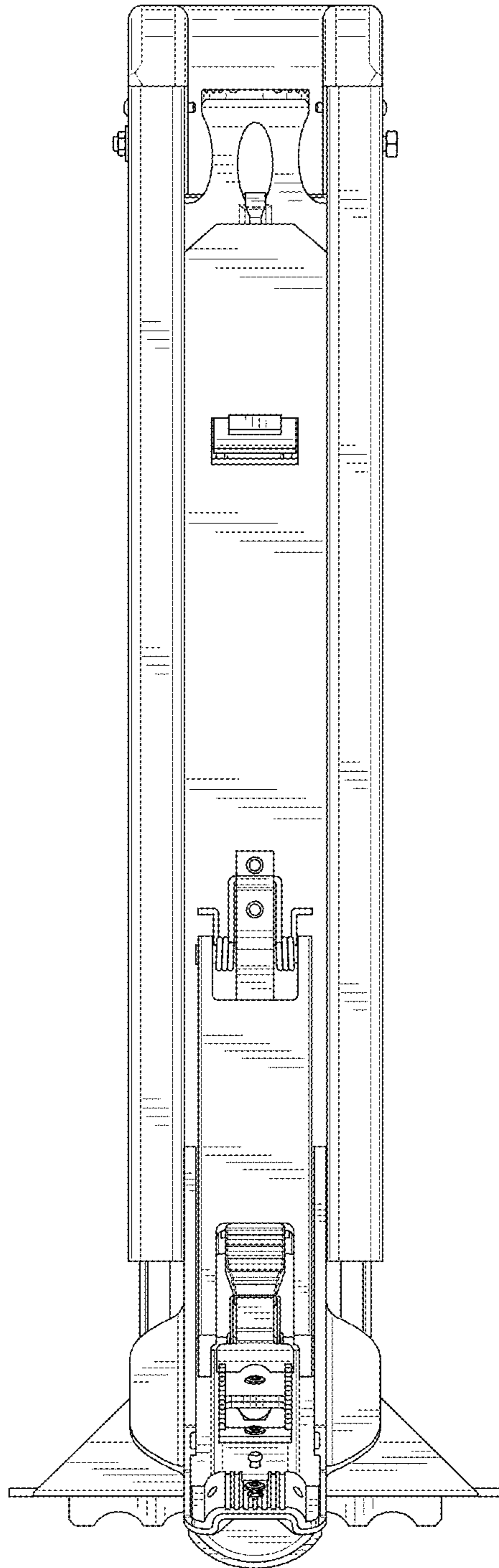


FIG. 3

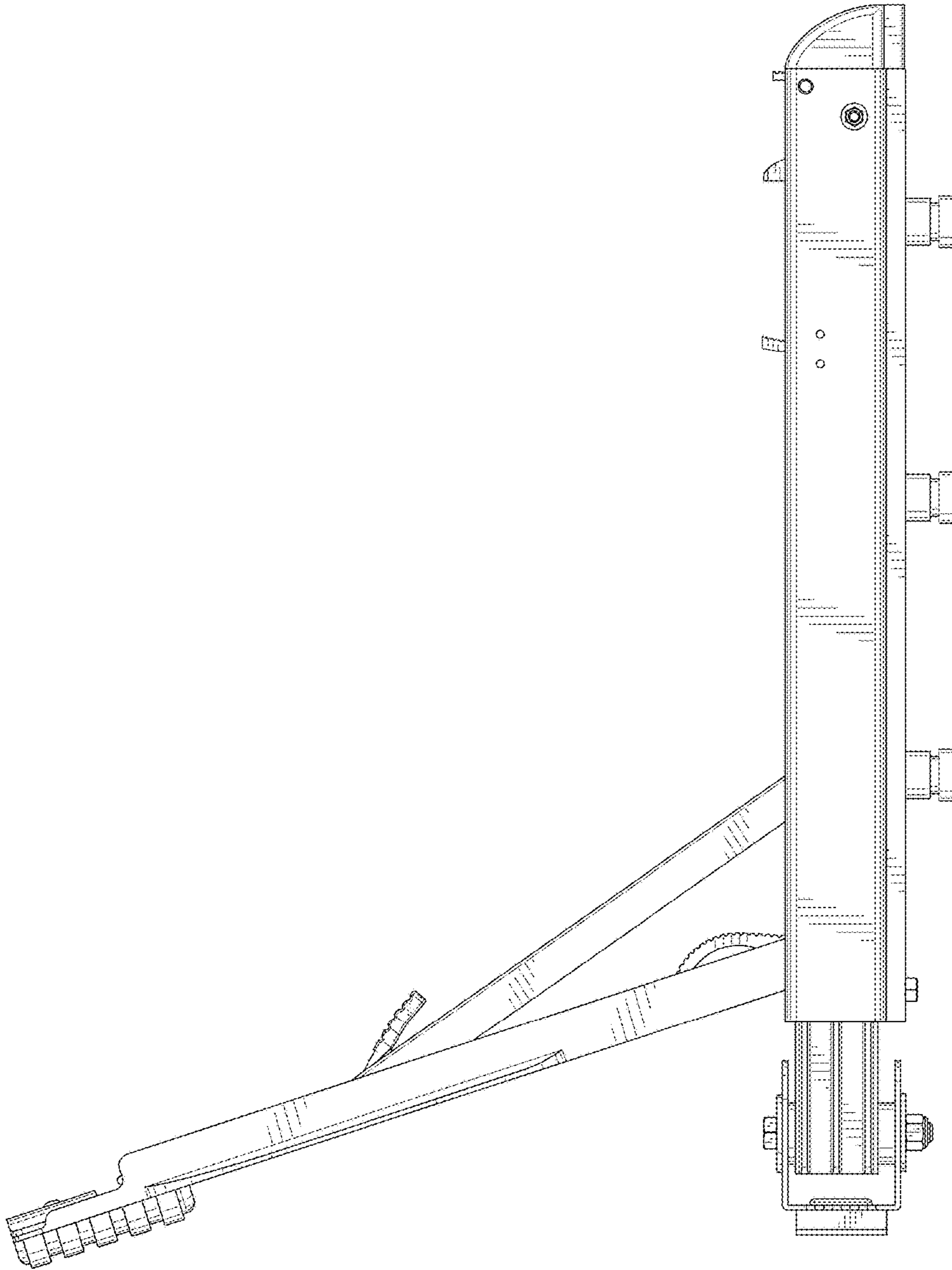


FIG. 4

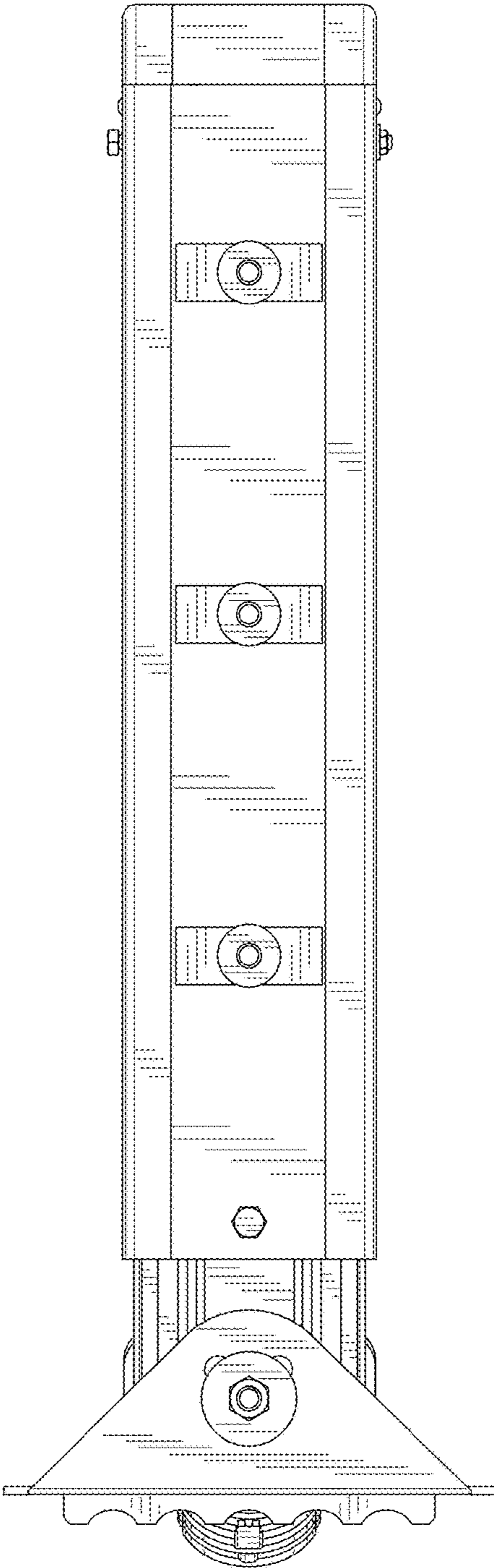


FIG. 5

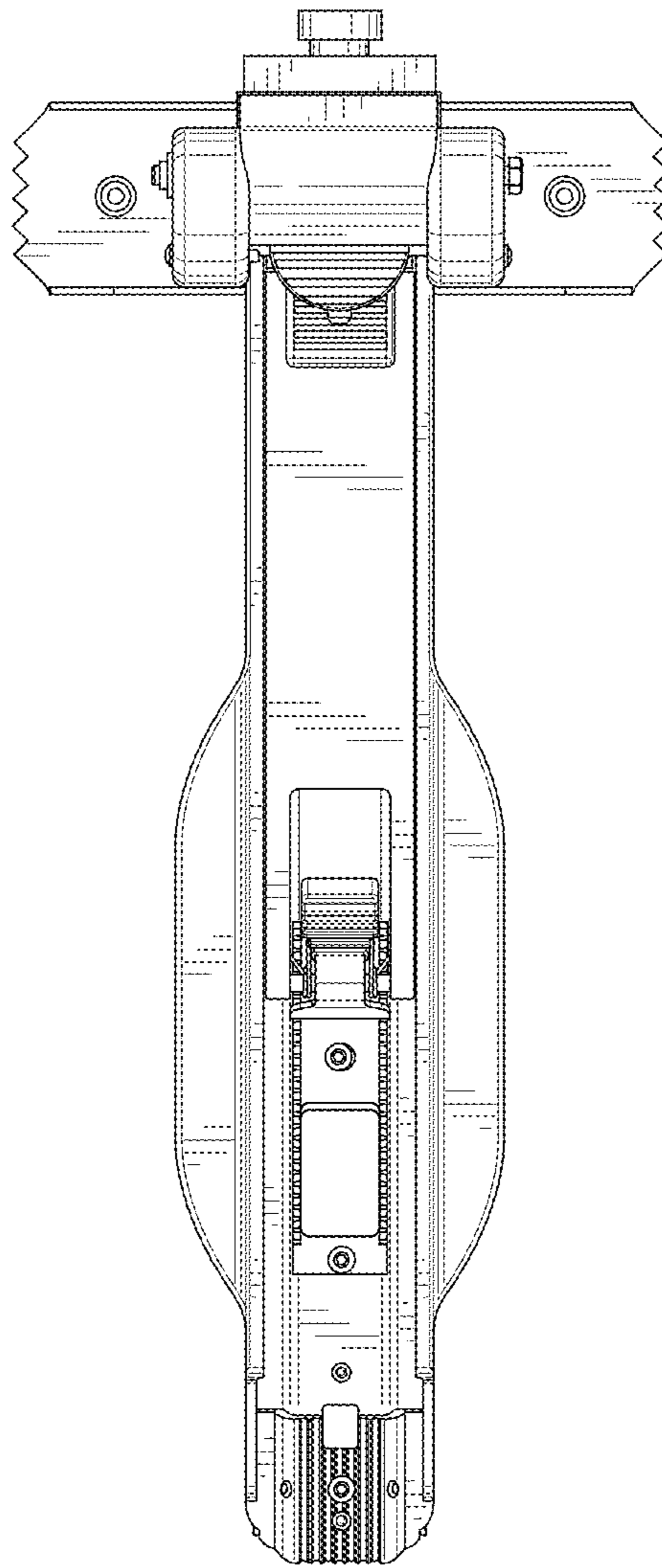


FIG. 6

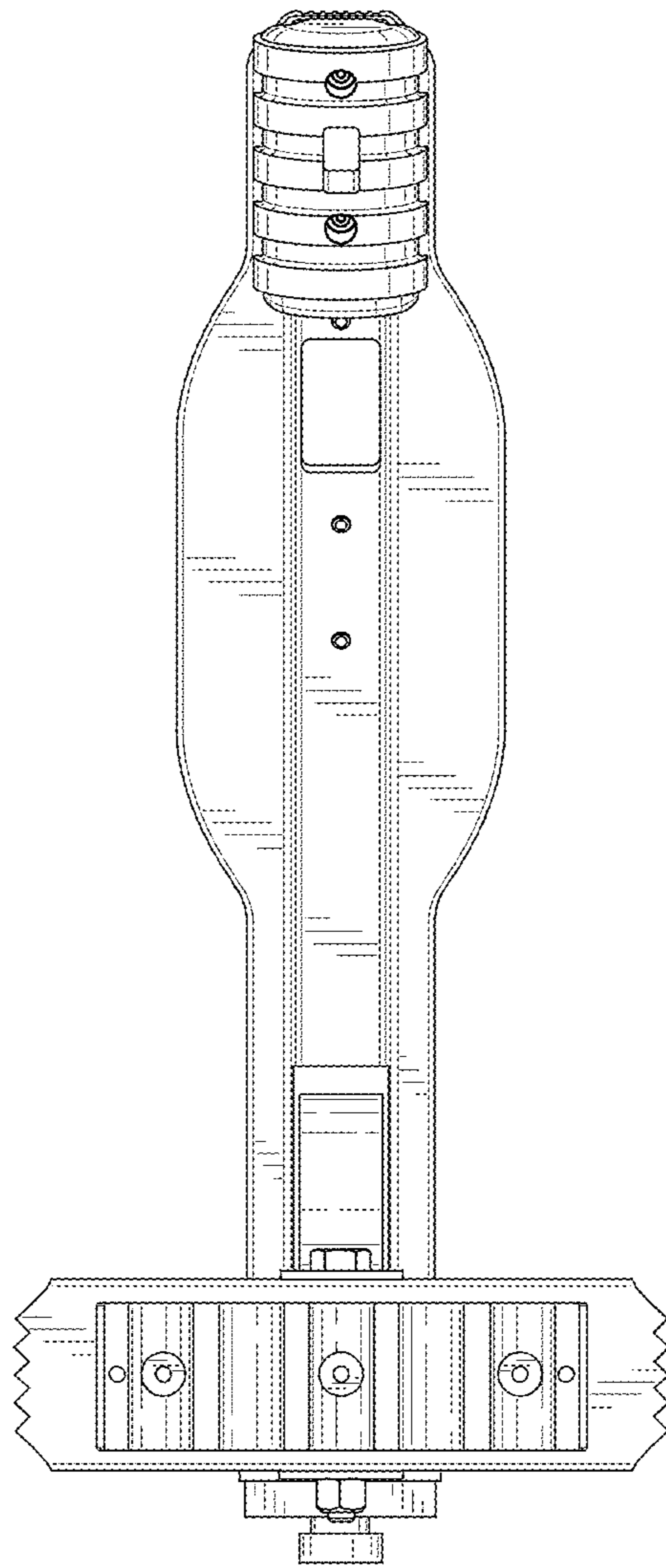


FIG. 7