



US00D839448S

(12) **United States Design Patent**
Langhoff et al.

(10) **Patent No.: US D839,448 S**
(45) **Date of Patent: ** Jan. 29, 2019**

(54) **CUVETTE**

21/0303; G01N 21/0332; G01N 21/07;
G01N 21/13; G01N 21/76; G01N 21/253;
G01N 33/80

(71) Applicant: **BD Kiestra B.V.**, Drachten (NL)

See application file for complete search history.

(72) Inventors: **Brian Reuben Langhoff**, Julian, NC
(US); **William Alan Fox**, Lake Wylie,
SC (US); **Kerry Lynn Smith**, York, PA
(US); **Stefan Campbell Dehaseth**,
Baltimore, MD (US)

(56) **References Cited**

U.S. PATENT DOCUMENTS

D222,352 S * 10/1971 Ferro D24/224
3,627,432 A 12/1971 Bergmann
3,759,374 A 9/1973 Helger et al.

(Continued)

(73) Assignee: **BD Kiestra B.V.** (NL)

(**) Term: **15 Years**

FOREIGN PATENT DOCUMENTS

(21) Appl. No.: **29/627,905**

EP 0661532 A2 7/1995
EP 1909094 A1 4/2008

(22) Filed: **Nov. 30, 2017**

(Continued)

Related U.S. Application Data

(62) Division of application No. 29/540,916, filed on Sep.
29, 2015, now Pat. No. Des. 808,036.

(51) **LOC (11) Cl.** **24-02**

(52) **U.S. Cl.**
USPC **D24/224**

(58) **Field of Classification Search**
USPC D24/216, 223-230; D3/203.1, 203.3;
D7/553.1, 553.7, 554.3; D9/760
CPC A61B 1/00142; A61B 1/0055; A61B
1/00071; A61B 1/00073; A61B 1/267;
A61B 17/3415; A61B 6/032; A61F
11/002; A61M 16/04; A61M 16/0488;
B01D 9/00; B01L 3/021; B01L 3/0217;
B01L 3/0224; B01L 3/0234; B01L
3/0227; B01L 3/0275; B01L 3/0279;
B01L 3/06; B01L 3/502; B01L 3/5025;
B01L 3/508; B01L 3/5021; B01L
3/50215; B01L 3/5023; B01L 3/5082;
B01L 3/50825; B01L 3/5083; B01L
3/5085; B01L 3/50855; B01L 3/545;
B01L 3/5453; B01L 9/06; B01L 9/543;
B04B 5/0414; B65D 1/34; B65D 1/36;
G01N 21/03; G01N 21/05; G01N

OTHER PUBLICATIONS

International Search Report for Application No. PCT/IB2015/
002072 dated Apr. 20, 2016.

Primary Examiner — Ian Simmons
Assistant Examiner — Samantha Q. Lawrence
(74) *Attorney, Agent, or Firm* — Lerner, David,
Littenberg, Krumholz & Mentlik, LLP

(57) **CLAIM**

The ornamental design for a cuvette, as shown and
described.

DESCRIPTION

FIG. 1 is a front perspective view of a cuvette according to
our new design;
FIG. 2 is a bottom perspective view thereof;
FIG. 3 is a front elevation view thereof;
FIG. 4 is a rear elevation view thereof;
FIG. 5 is a right side elevation view thereof;
FIG. 6 is a left side elevation view thereof;
FIG. 7 is a top plan view thereof; and,

(Continued)

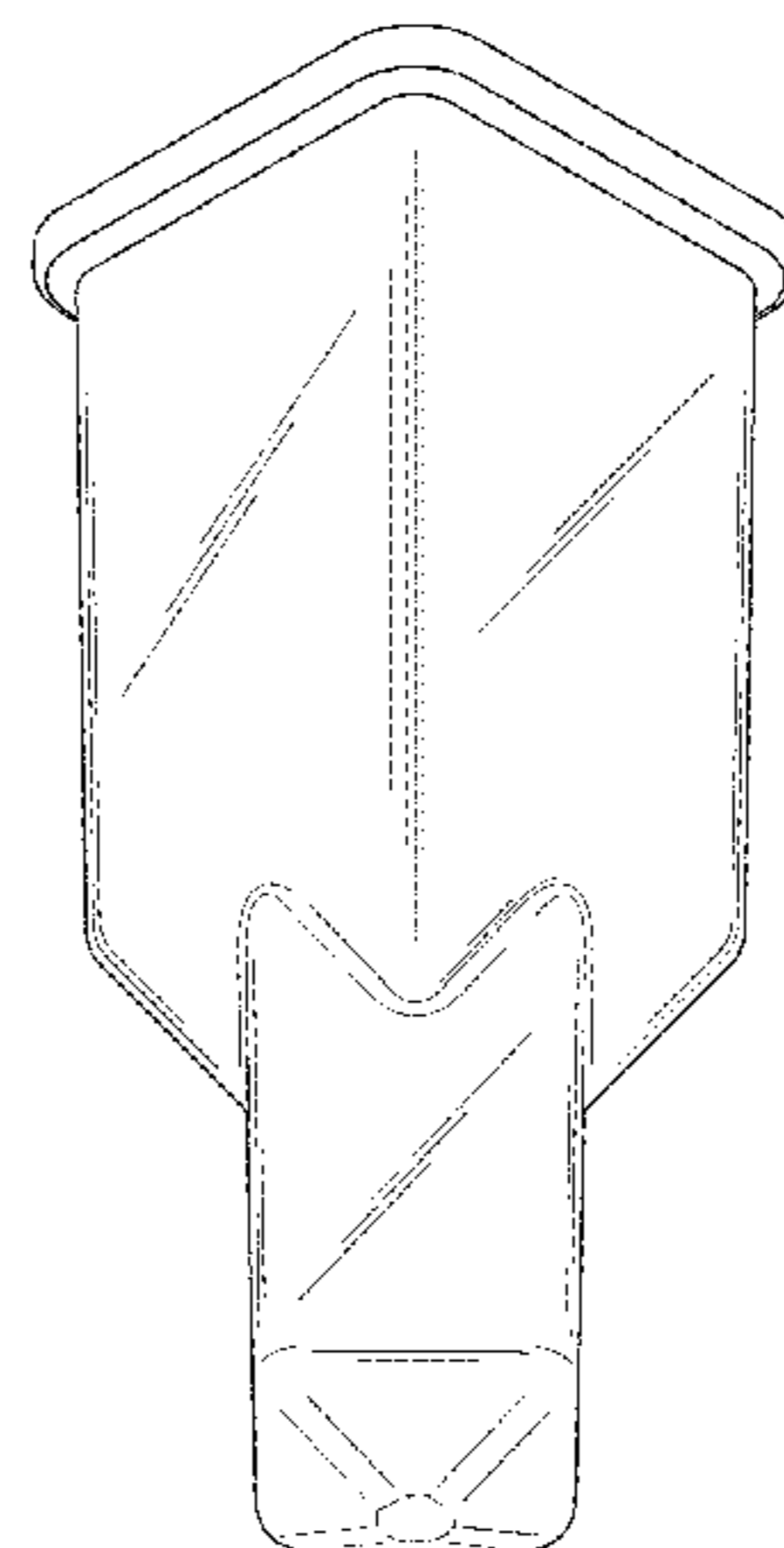
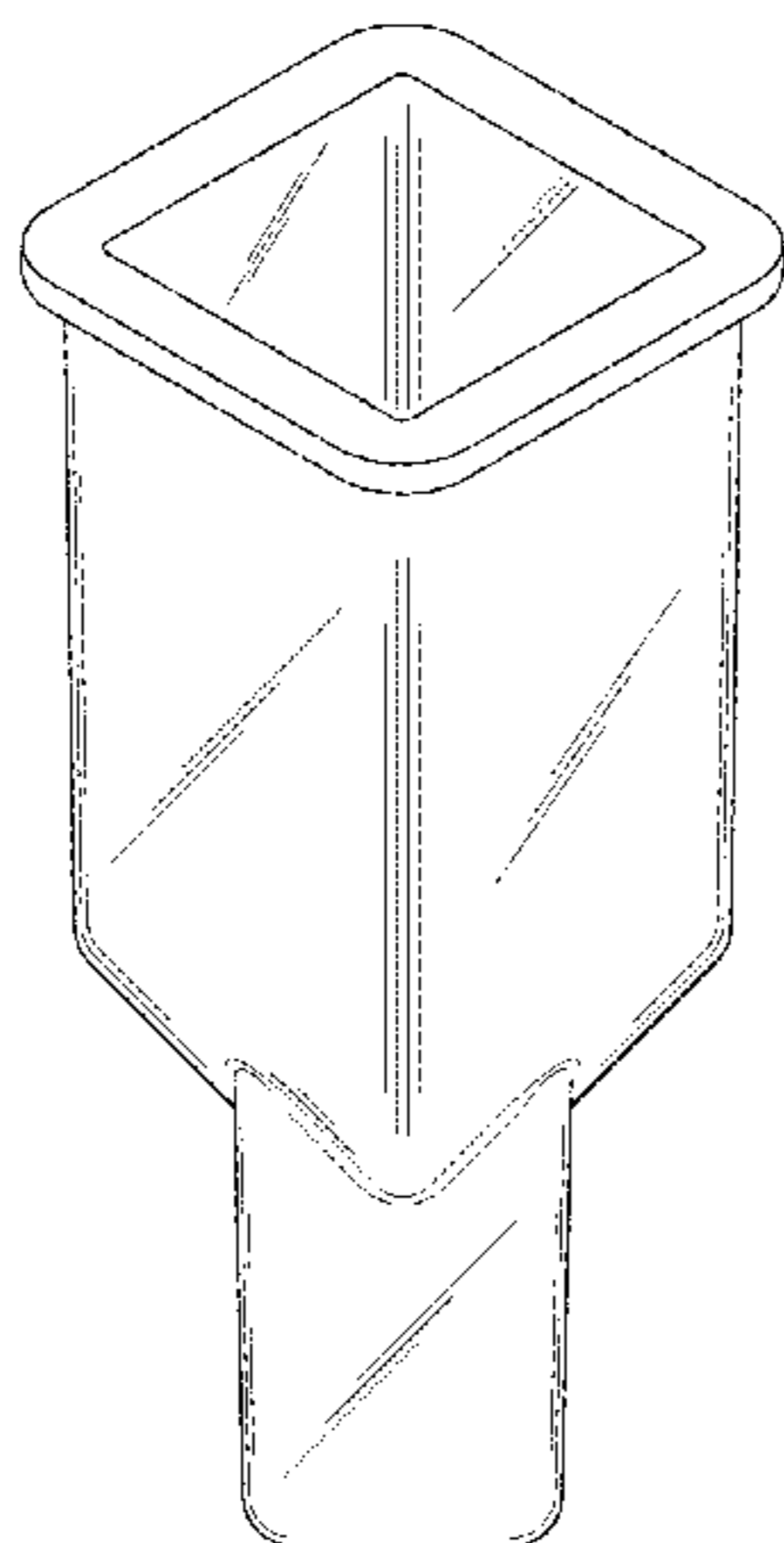


FIG. 8 is a bottom plan view thereof.

1 Claim, 4 Drawing Sheets

(56)

References Cited

U.S. PATENT DOCUMENTS

3,814,522 A * 6/1974 Clark B01L 3/5021
356/246

3,869,214 A 3/1975 Egli et al.
D246,466 S 11/1977 Attree et al.
4,123,173 A 10/1978 Bullock et al.
4,126,418 A 11/1978 Krasnow
4,195,060 A 3/1980 Terk
4,198,484 A 4/1980 Reichler et al.
D257,175 S 9/1980 Terk
4,226,531 A 10/1980 Tiffany et al.
4,229,104 A * 10/1980 Lahme G01N 21/03
356/246

4,251,159 A 2/1981 White
D260,428 S 8/1981 Fekete
4,332,471 A 6/1982 Gross
D266,588 S 10/1982 Mellars
4,373,812 A 2/1983 Stein et al.
D271,993 S 12/1983 Swartz
D274,553 S 7/1984 Perry
D277,891 S 3/1985 Uffenheimer et al.
D280,663 S 9/1985 Albon et al.
4,560,269 A 12/1985 Baldszun et al.
D283,050 S 3/1986 Godsey
D283,162 S 3/1986 Godsey
D283,728 S 5/1986 Aihara
4,639,135 A 1/1987 Borer et al.
4,648,713 A * 3/1987 Borer G01N 21/0303
356/246

4,685,880 A 8/1987 Meguro et al.
4,787,744 A * 11/1988 Hissung G01N 21/03
356/246

D299,955 S 2/1989 Kendrick, Sr.
4,824,791 A 4/1989 Ekholm et al.
D303,837 S 10/1989 Albert
4,871,674 A * 10/1989 Matsui C12M 25/04
422/69

5,073,346 A 12/1991 Partanen et al.
5,096,672 A 3/1992 Tervamaki et al.
5,098,661 A 3/1992 Froehlich et al.
5,130,105 A 7/1992 Carter et al.
D330,428 S 10/1992 Lewis et al.
D332,834 S 1/1993 Hanna et al.
D338,965 S 8/1993 Glanz et al.
D343,905 S 2/1994 Nagata et al.
D344,138 S 2/1994 Nagata
5,292,484 A 3/1994 Kelln et al.
5,331,177 A 7/1994 Kubisiak et al.
5,437,841 A 8/1995 Balmer
5,462,715 A 10/1995 Koch et al.
5,470,536 A 11/1995 Jarvimaki

D380,555 S * 7/1997 Kurosaki D24/224
5,658,532 A 8/1997 Kurosaki et al.
D401,700 S 11/1998 Gray et al.
5,928,935 A * 7/1999 Reuss, Jr. B01L 3/508
215/307

6,117,391 A 9/2000 Mootz et al.
D437,419 S 2/2001 Kraack et al.
6,719,203 B2 4/2004 Hirono et al.
D492,419 S 6/2004 Farina
6,878,346 B2 * 4/2005 DeYoung B01L 3/5082
422/500

D524,659 S * 7/2006 Abadinsky D9/549
7,138,091 B2 11/2006 Lee et al.
D560,816 S 1/2008 Talmer et al.
D583,481 S * 12/2008 Yamamoto D24/224
D596,312 S 7/2009 Giraud et al.
D619,728 S 7/2010 Bare et al.
7,787,116 B2 8/2010 Yamamoto et al.
D624,659 S 9/2010 Nuotio
7,939,036 B2 5/2011 Burkhardt et al.
7,943,100 B2 5/2011 Rousseau
D639,447 S 6/2011 Karpiloff
7,959,878 B2 6/2011 Rousseau
D652,148 S 1/2012 Matsuura
D661,403 S * 6/2012 Connelly D24/224
8,211,386 B2 * 7/2012 Talmer B01L 3/5082
422/560

8,313,713 B2 11/2012 Jacobs et al.
D675,338 S 1/2013 Suzuki et al.
8,493,559 B2 7/2013 Harvard
D687,566 S 8/2013 Trump
D687,965 S 8/2013 Trump
D688,385 S 8/2013 Trump
D709,624 S 7/2014 Baum et al.
8,840,837 B2 * 9/2014 Smith C12Q 1/22
422/400

8,920,754 B2 12/2014 Kim et al.
D743,045 S * 11/2015 Trump D24/224
9,250,256 B2 2/2016 Lukhaub et al.
9,341,640 B2 5/2016 Shintani et al.
D764,679 S 8/2016 Franciskovich et al.
9,612,192 B2 4/2017 Drechsler et al.
D808,036 S * 1/2018 Langhoff D24/224
D810,959 S * 2/2018 Langhoff D24/230
2002/0085959 A1 7/2002 Carey et al.
2007/0134135 A1 6/2007 Li et al.
2009/0009757 A1 1/2009 Mototsu et al.
2012/0156796 A1 * 6/2012 Drechsler G01N 21/03
436/164

2014/0050619 A1 2/2014 Meller
2014/0090465 A1 4/2014 Behnk
2014/0146313 A1 5/2014 Trainoff et al.
2015/0036121 A1 2/2015 Kurowski et al.

FOREIGN PATENT DOCUMENTS

EP 2466291 A1 6/2012
WO 2013004674 A1 1/2013

* cited by examiner

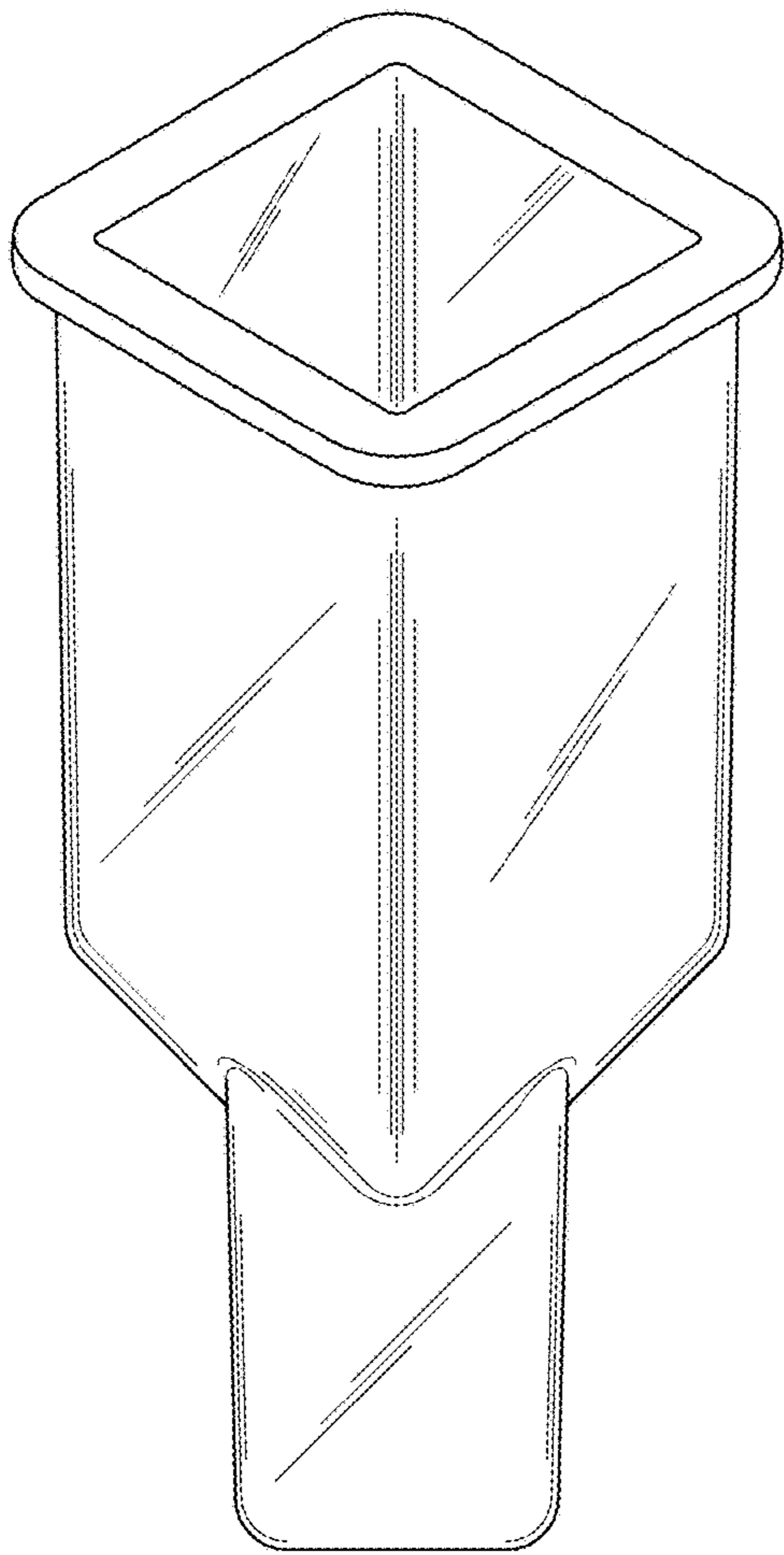


FIG. 1

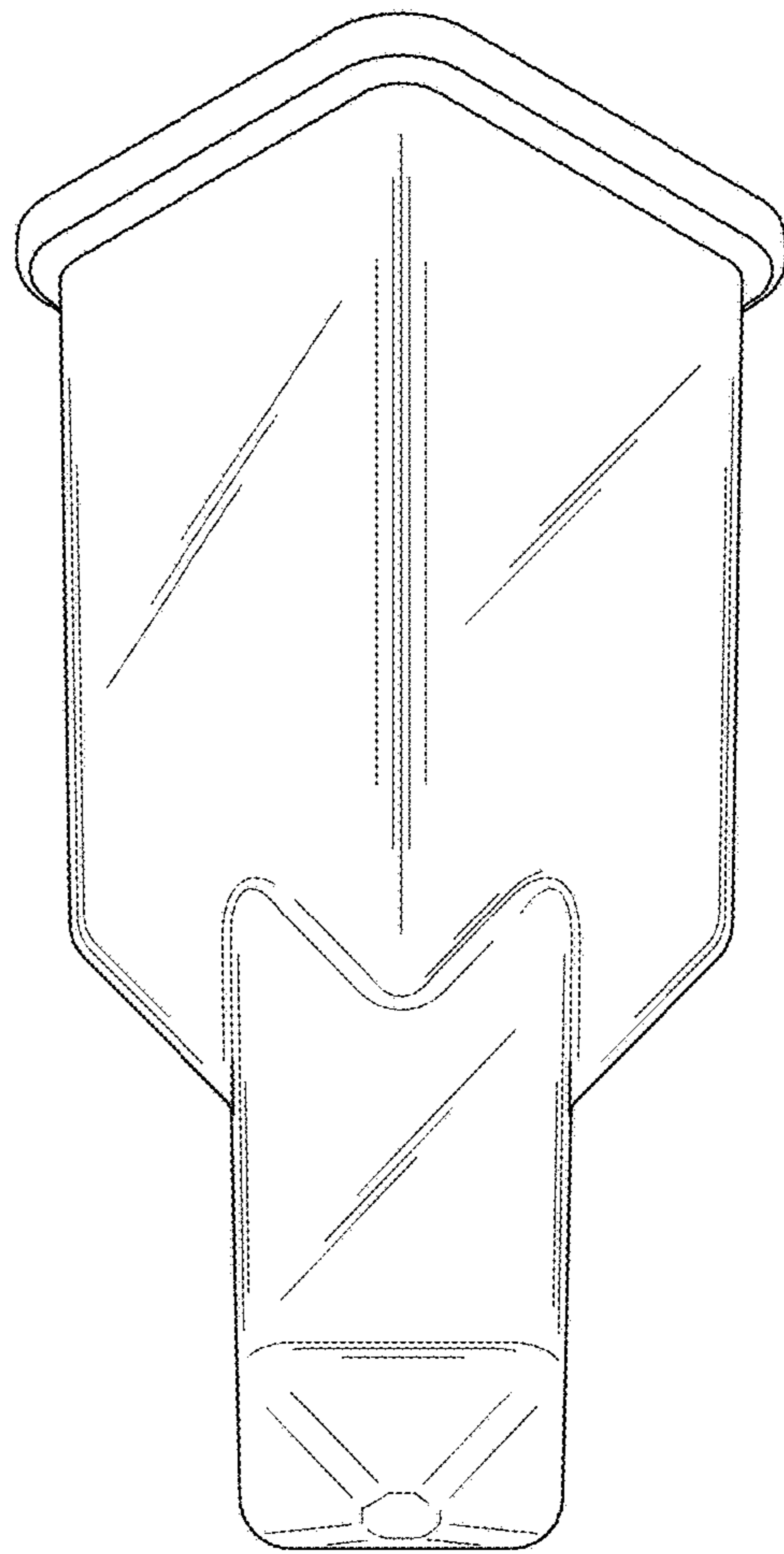


FIG. 2

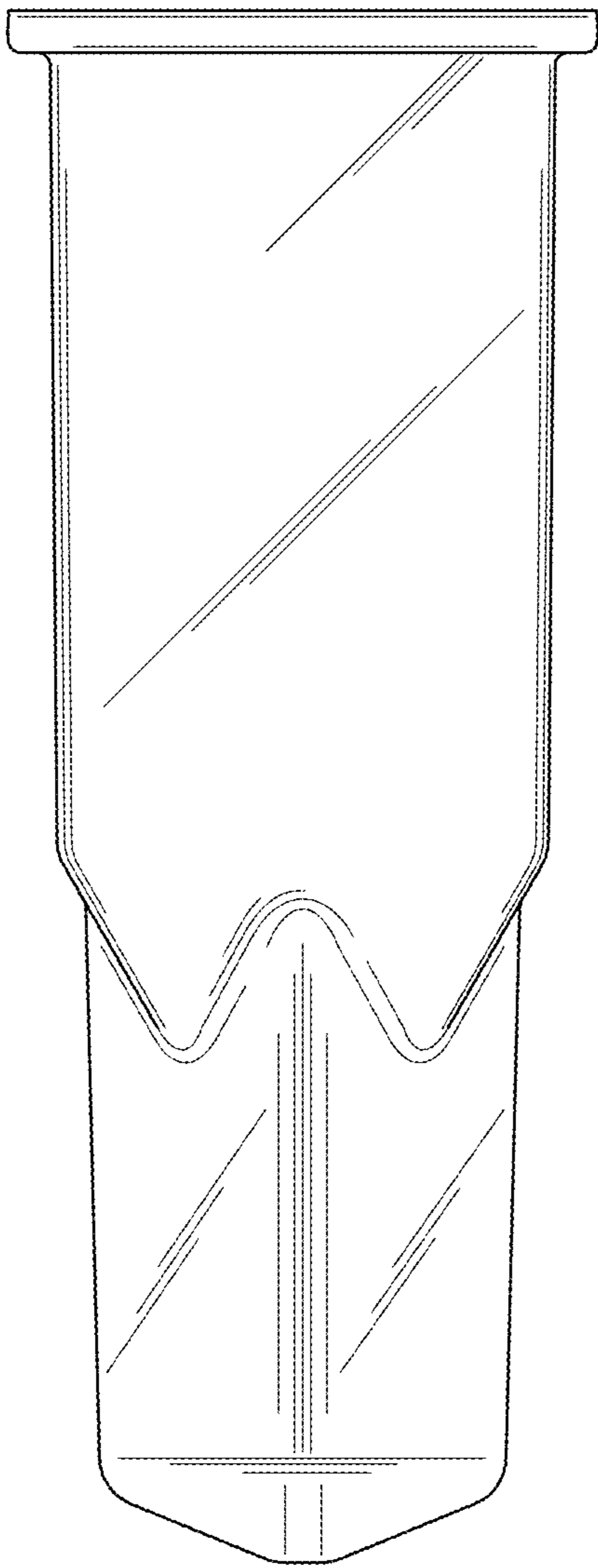


FIG. 3

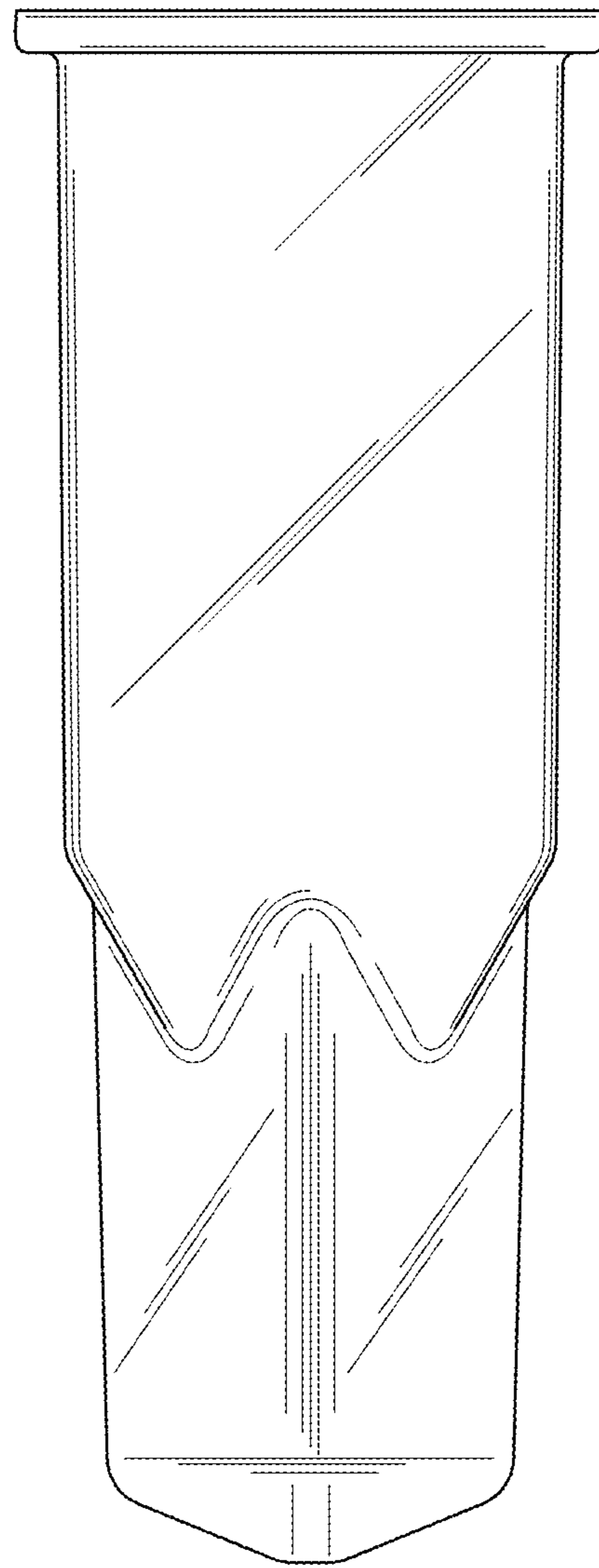


FIG. 4

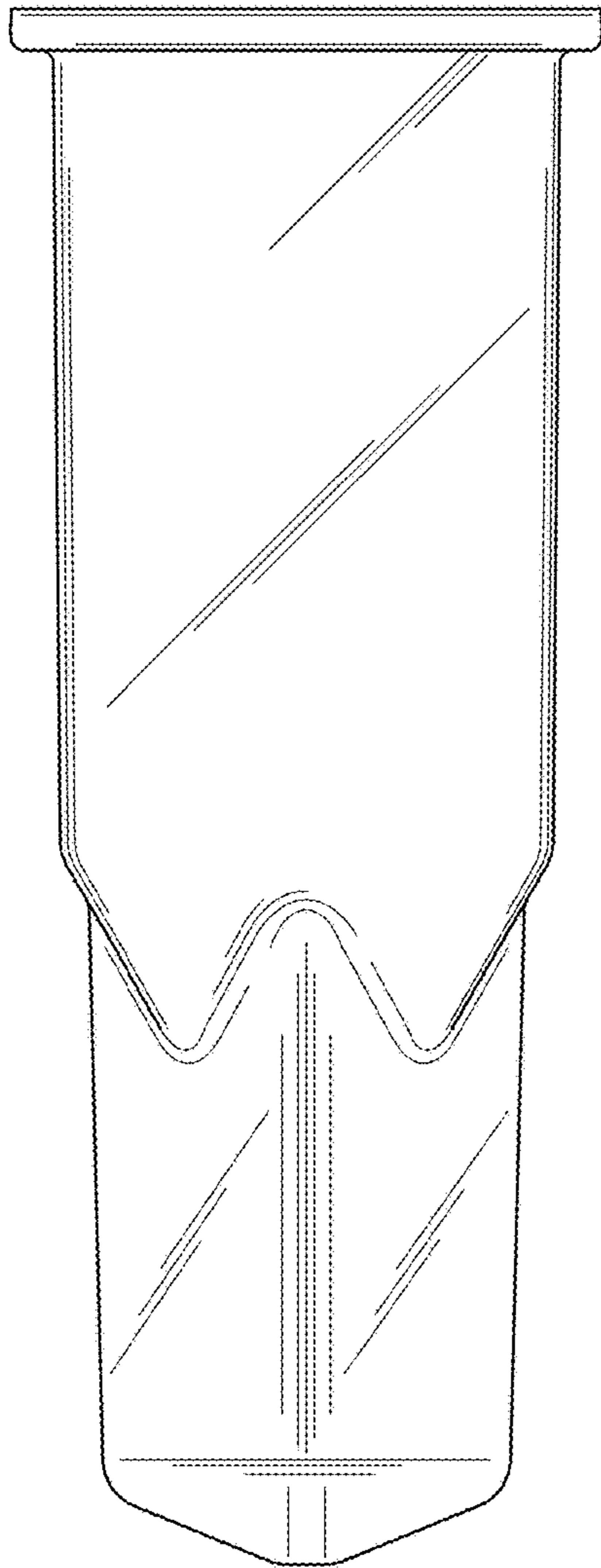


FIG. 5

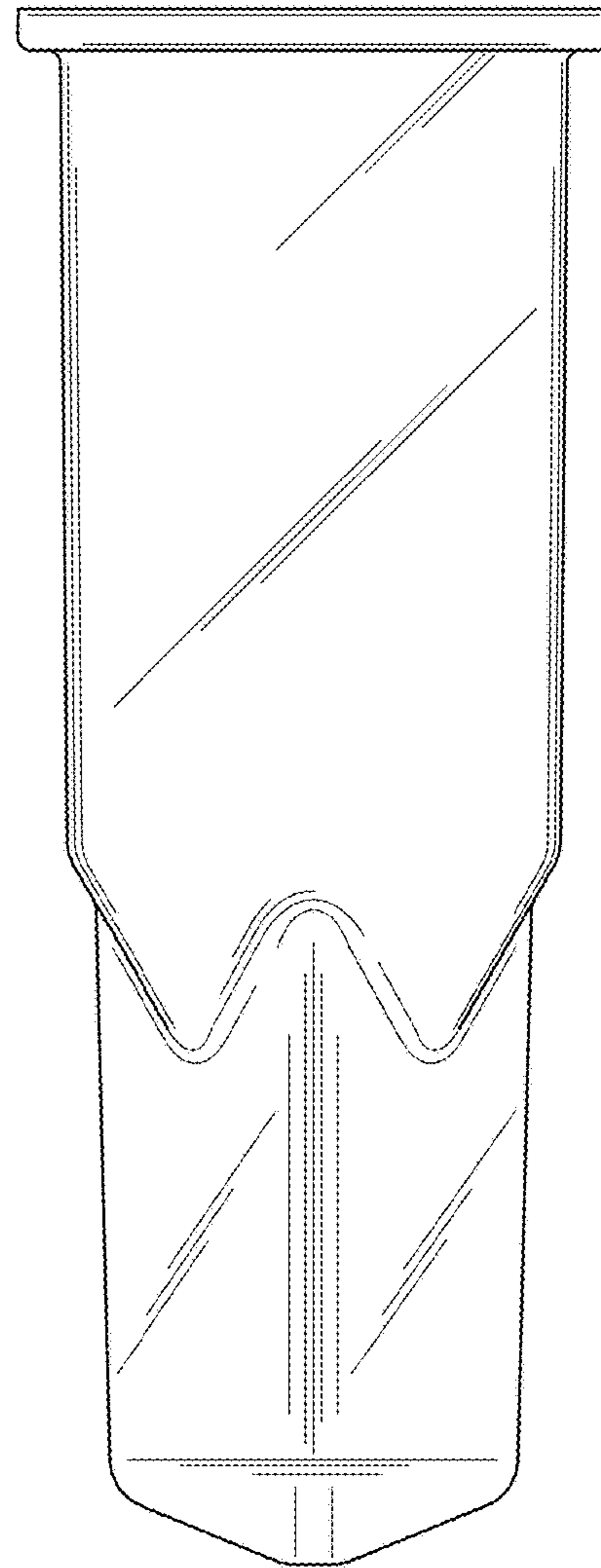


FIG. 6

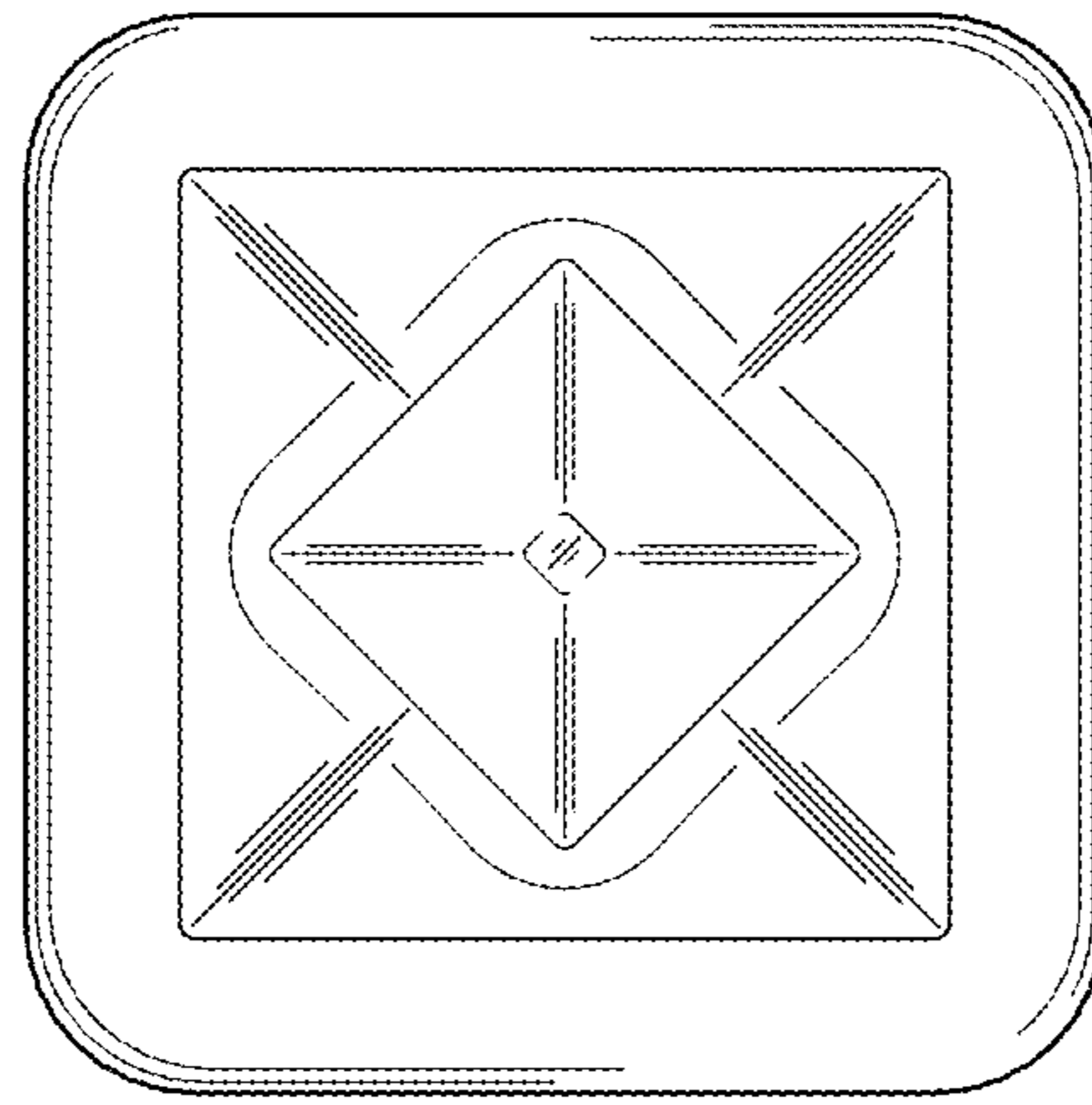


FIG. 7

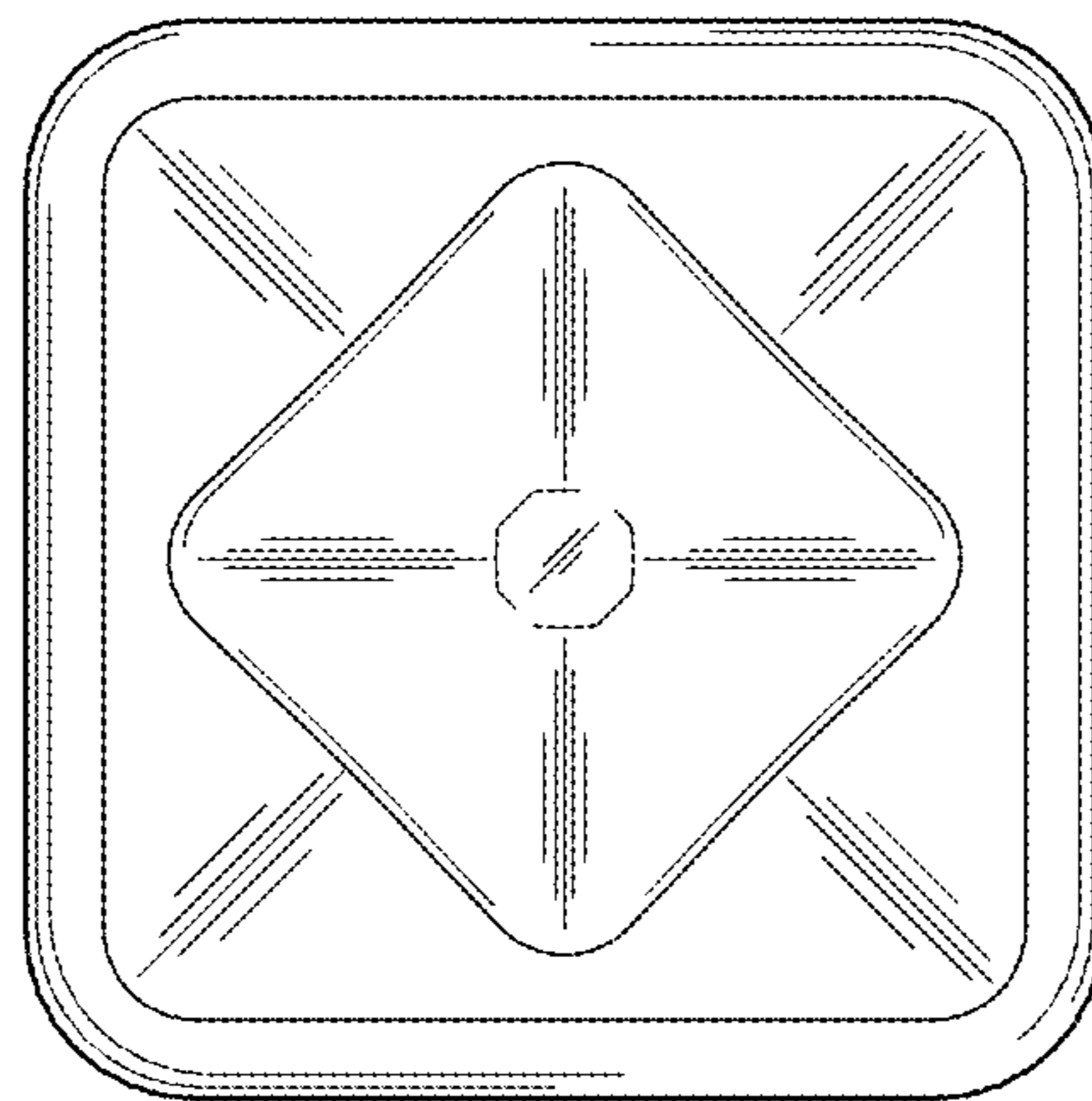


FIG. 8