



US00D839446S

(12) **United States Design Patent** (10) **Patent No.:** **US D839,446 S**
Sasano (45) **Date of Patent:** **** Jan. 29, 2019**

(54) **CARTRIDGE BODY FOR SOLID-PHASE EXTRACTION**

Assistant Examiner — Samantha Q. Lawrence
(74) *Attorney, Agent, or Firm* — Kratz, Quintos & Hanson, LLP

(71) Applicant: **AISTI SCIENCE CO., LTD.**,
Wakayama-shi (JP)

(57) **CLAIM**

The ornamental design for a cartridge body for solid-phase extraction, as shown and described.

(72) Inventor: **Ryoichi Sasano**, Wakayama (JP)

DESCRIPTION

(73) Assignee: **AISTI SCIENCE CO., LTD.**,
Wakayama-shi (JP)

(**) Term: **15 Years**

(21) Appl. No.: **29/546,754**

(22) Filed: **Nov. 25, 2015**

(30) **Foreign Application Priority Data**

May 28, 2015 (JP) 2015-011803

(51) **LOC (11) Cl.** **24-02**

(52) **U.S. Cl.**
USPC **D24/224**

(58) **Field of Classification Search**
USPC D24/216, 222, 224, 231, 107, 112;
D10/81, 103

CPC B01D 15/00; B01D 15/02; B01D 15/08;
B01D 15/22; B01D 15/3804; B01D
15/424; B01D 15/426; B01D 61/00;
B01D 61/18; B01J 15/00; B01J 20/20;
B01J 20/26; B01J

(Continued)

(56) **References Cited**

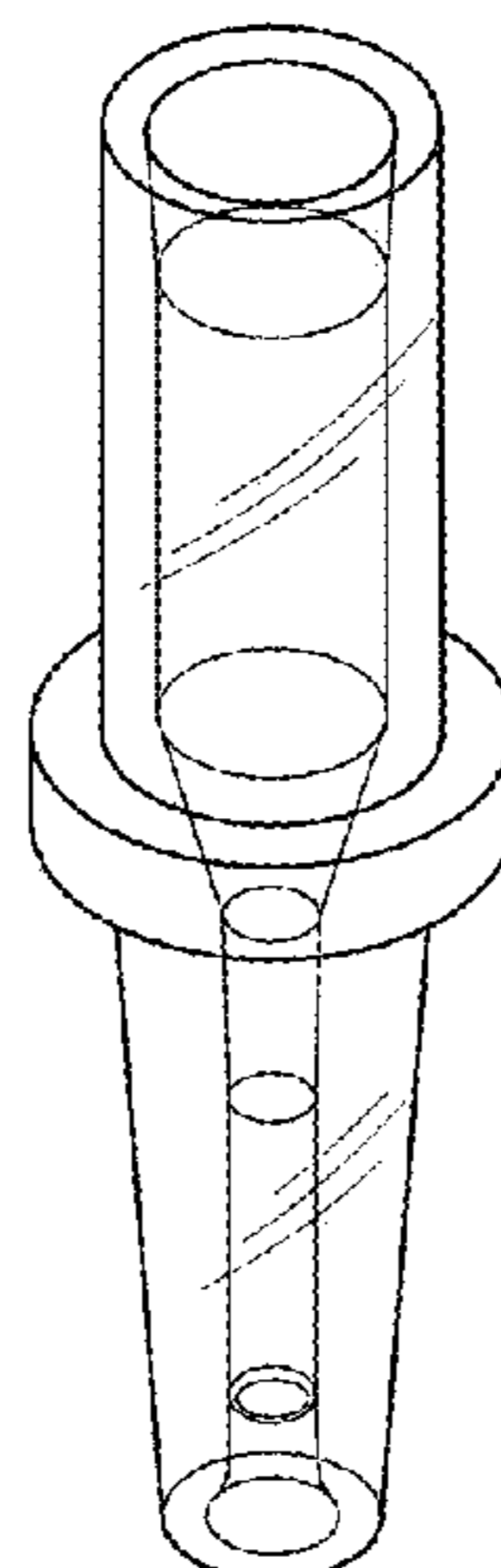
U.S. PATENT DOCUMENTS

4,749,658 A * 6/1988 Jaekel G01N 35/1097
137/247.17

D300,561 S * 4/1989 Asa D24/112
(Continued)

Primary Examiner — Ian Simmons

1 Claim, 12 Drawing Sheets



(58) **Field of Classification Search**
 CPC 20/28014; B01J 20/28023; B01J 20/286;
 B01J 20/3242; B01J 20/3268; B01L
 3/0275; B01L 3/502; B01L 3/5021; B01L
 3/50255; B01L 3/502715; B01L
 3/502753; B01L 3/5085; B01L 3/545;
 C12N 15/1006; C12N 15/1013; C12N
 15/1017; G01N 1/10; G01N 1/34; G01N
 1/4005; G01N 1/405; G01N 1/4055;
 G01N 1/344005; G01N 1/4077; G01N
 30/00; G01N 30/06; G01N 30/08; G01N
 30/12; G01N 30/14; G01N 30/16; G01N
 30/24; G01N 30/32; G01N 30/462; G01N
 30/482; G01N 30/603; G01N 30/6026;
 G01N 30/6052; G01N 30/6091; G01N
 30/6095; G01N 33/1833; G01N 33/6848;
 G01N 35/025; G01N 35/109; G01N
 35/1097

See application file for complete search history.

(56) **References Cited**

U.S. PATENT DOCUMENTS

D319,879 S * 9/1991 Wachob D24/107
 5,260,028 A * 11/1993 Astle G01N 1/405
 210/635
 5,395,521 A * 3/1995 Jagadeeswaran .. G01N 30/6052
 210/143
 5,439,593 A * 8/1995 Price B01D 15/08
 210/236

5,529,694 A * 6/1996 Strickler G01N 33/1833
 210/416.1
 5,658,800 A * 8/1997 Lessard G01N 30/06
 210/634
 6,177,008 B1 * 1/2001 Treiber B01D 15/08
 210/198.2
 6,652,625 B1 * 11/2003 Tipler G01N 30/12
 73/23.41
 6,723,236 B2 * 4/2004 Fisk B01D 15/22
 210/198.2
 6,770,246 B1 * 8/2004 Husek B01L 3/0275
 210/263
 D511,214 S * 11/2005 Sasano D24/224
 D519,868 S * 5/2006 Sasano D10/103
 D601,712 S * 10/2009 Tajima D24/222
 7,867,325 B2 * 1/2011 Jones G01N 30/16
 73/23.35
 8,101,073 B2 * 1/2012 Wada B01J 20/26
 210/198.2
 D687,563 S * 8/2013 Tamura D24/222
 8,506,813 B2 * 8/2013 Alspektor B01L 3/50255
 210/141
 9,110,072 B2 * 8/2015 Tamminga G01N 30/6026
 9,592,500 B2 * 3/2017 Doucette G01N 1/4077
 9,597,612 B2 * 3/2017 Yabuhara G01N 30/08
 2005/0011835 A1 * 1/2005 Henderson B01D 15/22
 210/656
 2012/0160038 A1 * 6/2012 Wells B01J 15/00
 73/863.21
 2016/0252435 A1 * 9/2016 Sasano G01N 1/405
 73/863.23
 2017/0044518 A1 * 2/2017 Nelson C12N 15/1006

* cited by examiner

FIG. 1

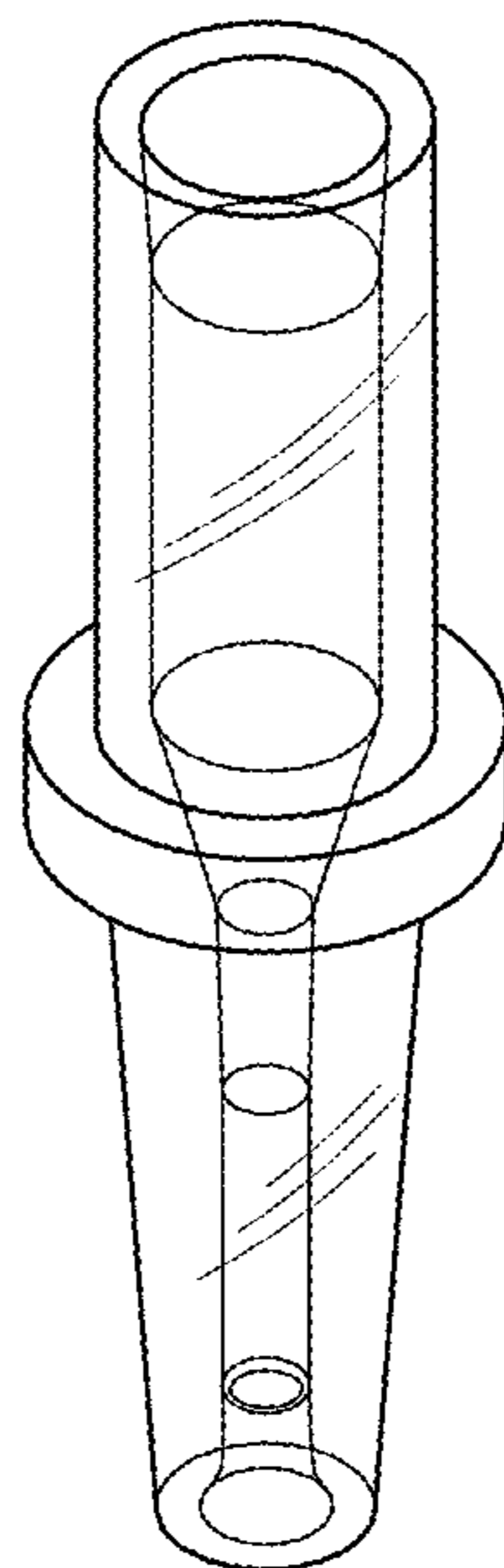


FIG. 2

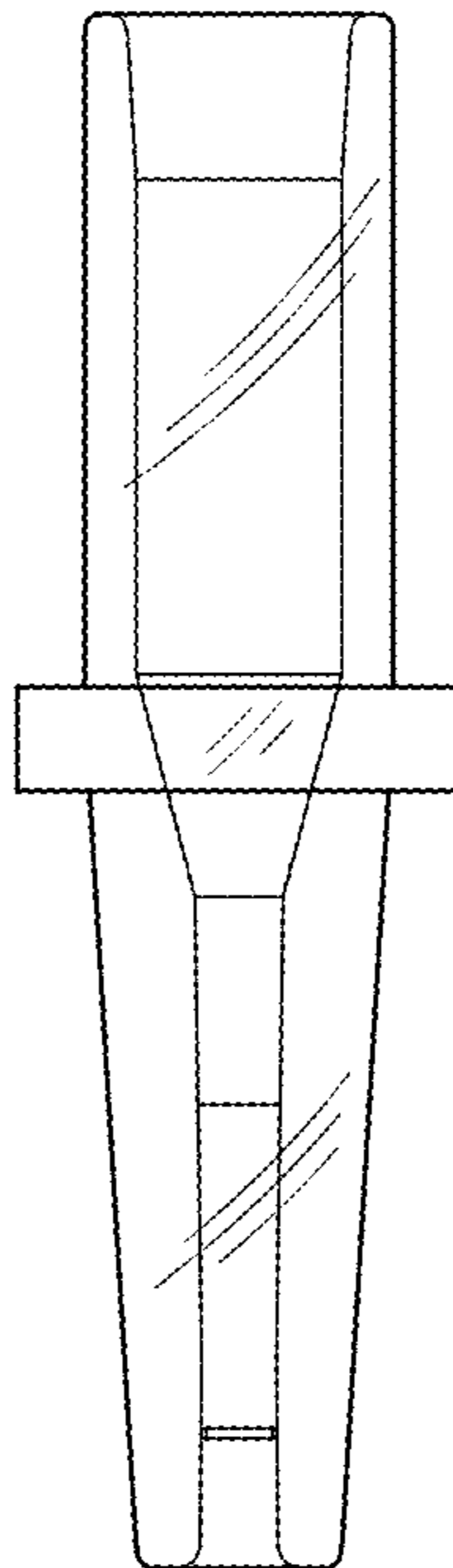


FIG. 3

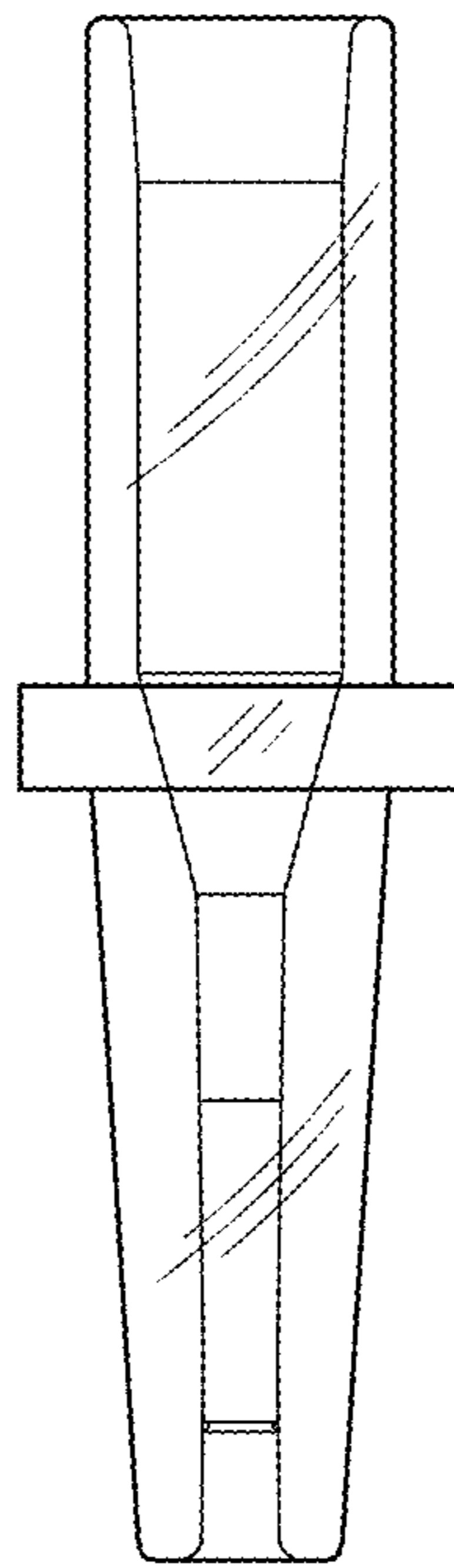


FIG. 4

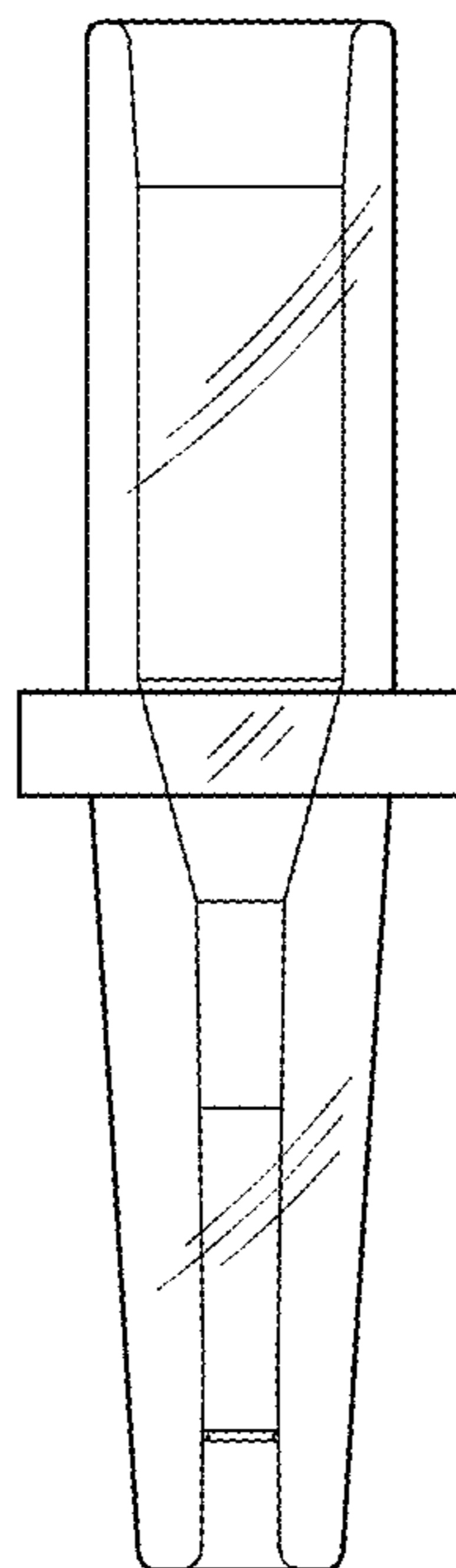


FIG. 5

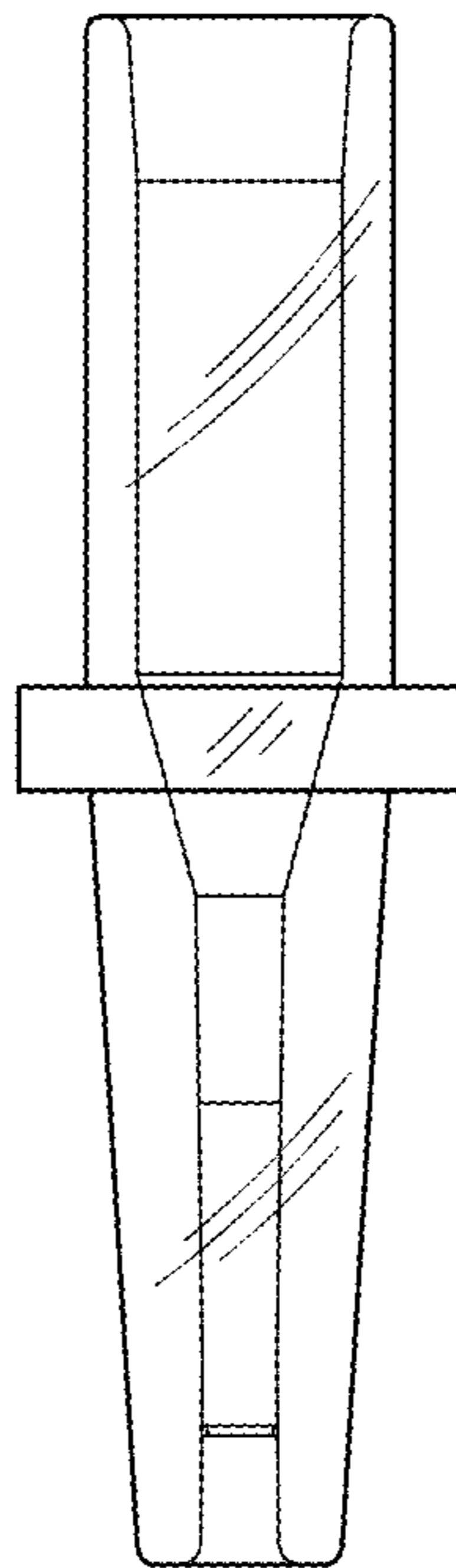


FIG. 6

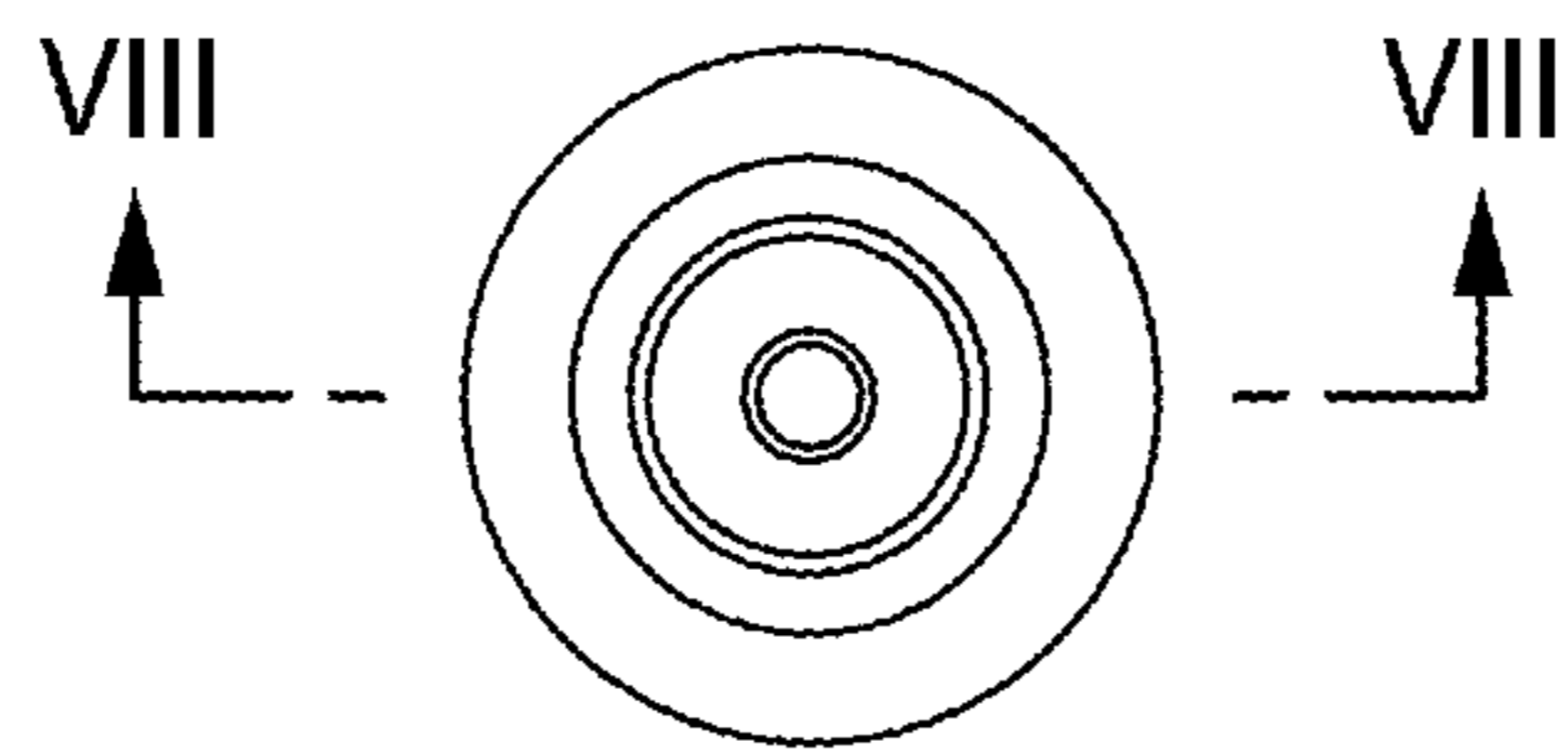


FIG. 7

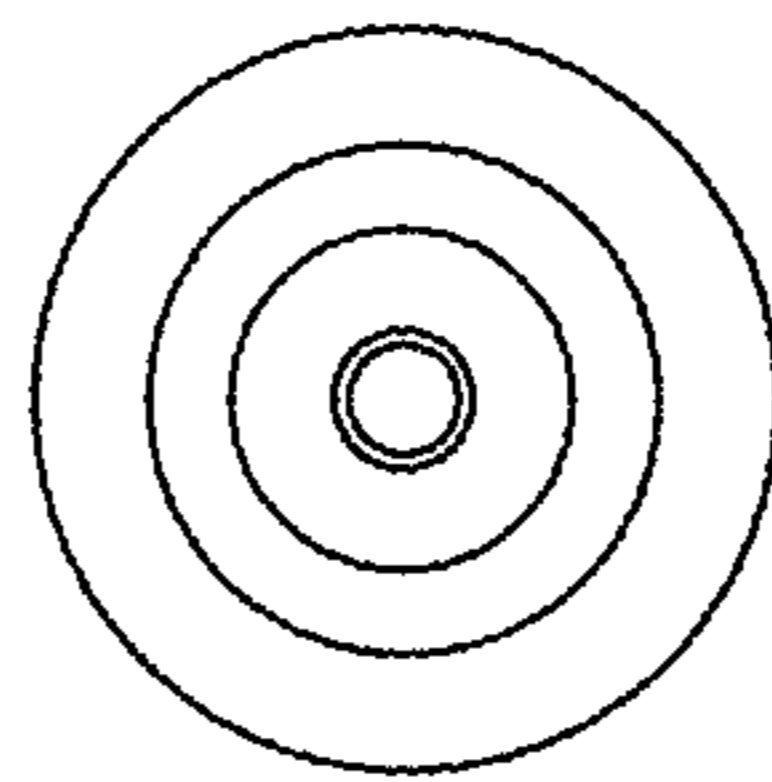


FIG. 8

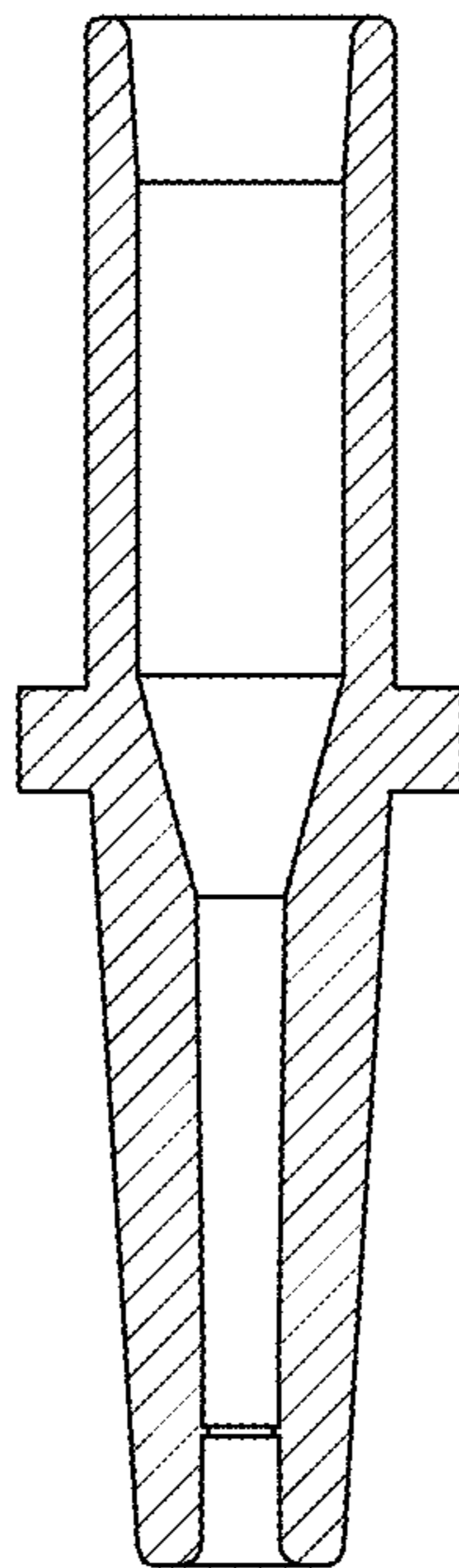


FIG. 9

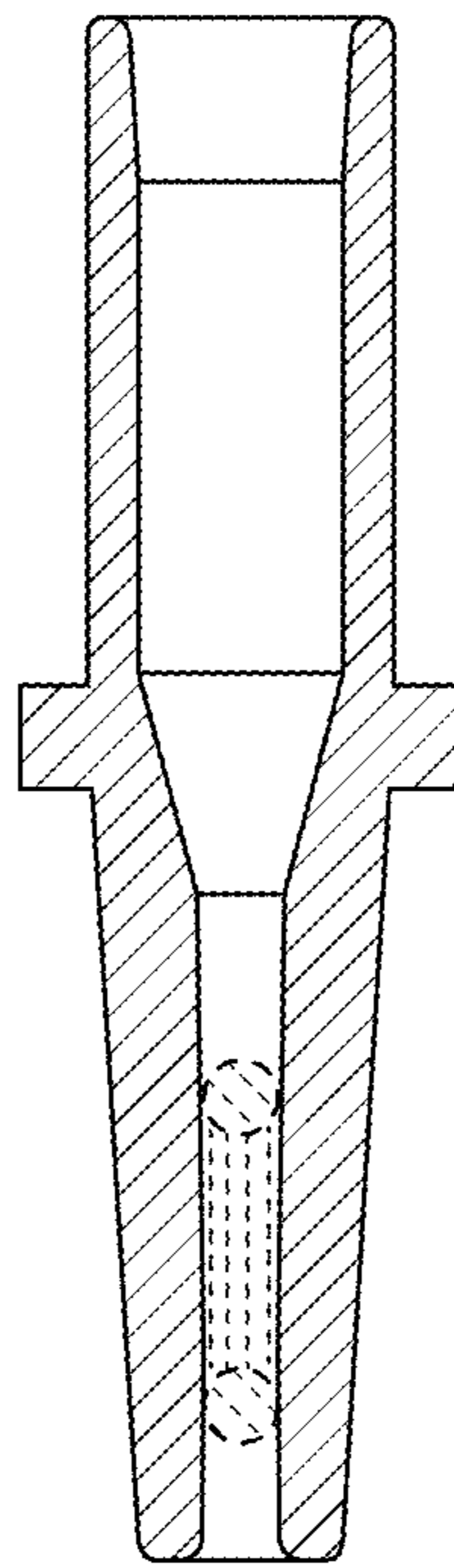


FIG. 10

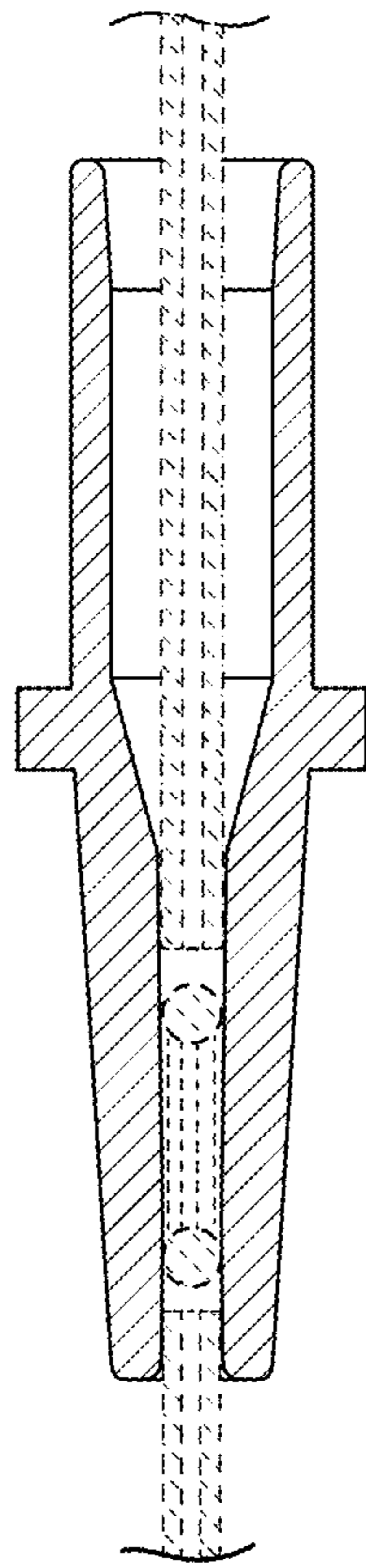


FIG. 11

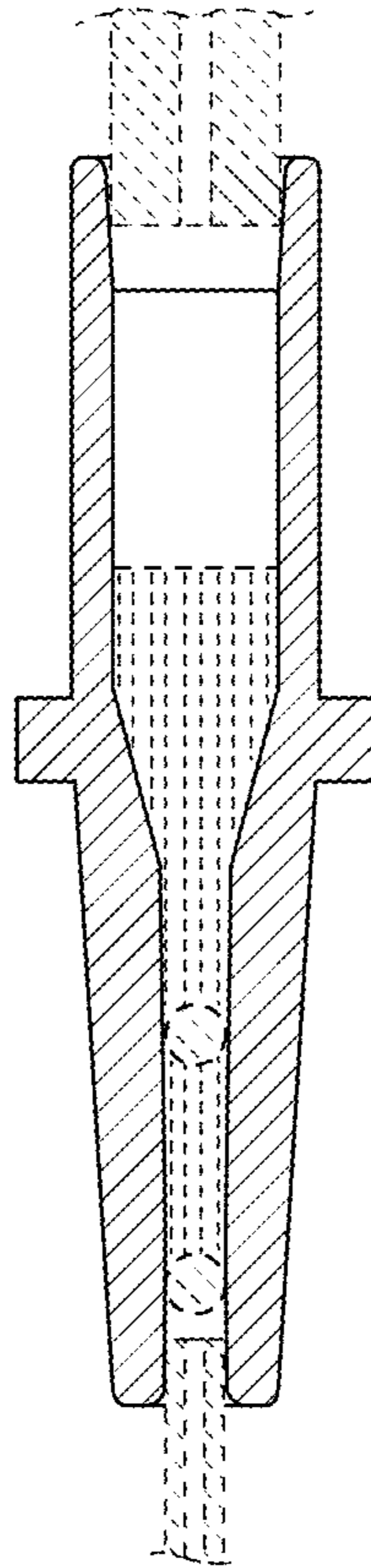


FIG. 12

