



US00D839443S

(12) **United States Design Patent** (10) **Patent No.:** **US D839,443 S**  
**Stamm et al.** (45) **Date of Patent:** **\*\* Jan. 29, 2019**

(54) **FLUID TESTING BASE STATION**  
(71) Applicant: **bioMerieux, Inc.**, Durham, NC (US)  
(72) Inventors: **Perry D. Stamm**, Dardenne Prairie, MO (US); **Gregory R. Maes**, Fenton, MO (US); **Jack R. Hoffmann, Jr.**, St. Louis, MO (US); **Walter J. Clynes**, O'Fallon, MO (US); **Leonard H. Schleicher, Jr.**, St. Charles, MO (US); **Christopher George Kocher**, St. Louis, MO (US); **Brian David Peterson**, Wentzville, MO (US); **Scott Conway**, Yorba Linda, CA (US)  
(73) Assignee: **BIOMERIEUX, INC.**, Durham, NC (US)  
(\*\*) Term: **15 Years**  
(21) Appl. No.: **29/622,784**  
(22) Filed: **Oct. 19, 2017**

**Related U.S. Application Data**

(63) Continuation-in-part of application No. 29/601,267, filed on Apr. 20, 2017.  
(51) **LOC (11) Cl.** ..... **24-01**  
(52) **U.S. Cl.**  
USPC ..... **D24/216**  
(58) **Field of Classification Search**  
USPC ..... D24/107, 169, 185, 186, 216-219, D24/231-234; D10/81  
CPC ..... G01N 1/28; G01N 33/50; G01N 35/025; G01N 2035/00306; G01N 2035/00326; G01N 2035/00336; G01N 2030/027; G01N 21/76  
See application file for complete search history.

(56) **References Cited**  
U.S. PATENT DOCUMENTS  
D431,867 S 10/2000 Maynard et al.  
D474,278 S 5/2003 Niedbala et al.  
(Continued)

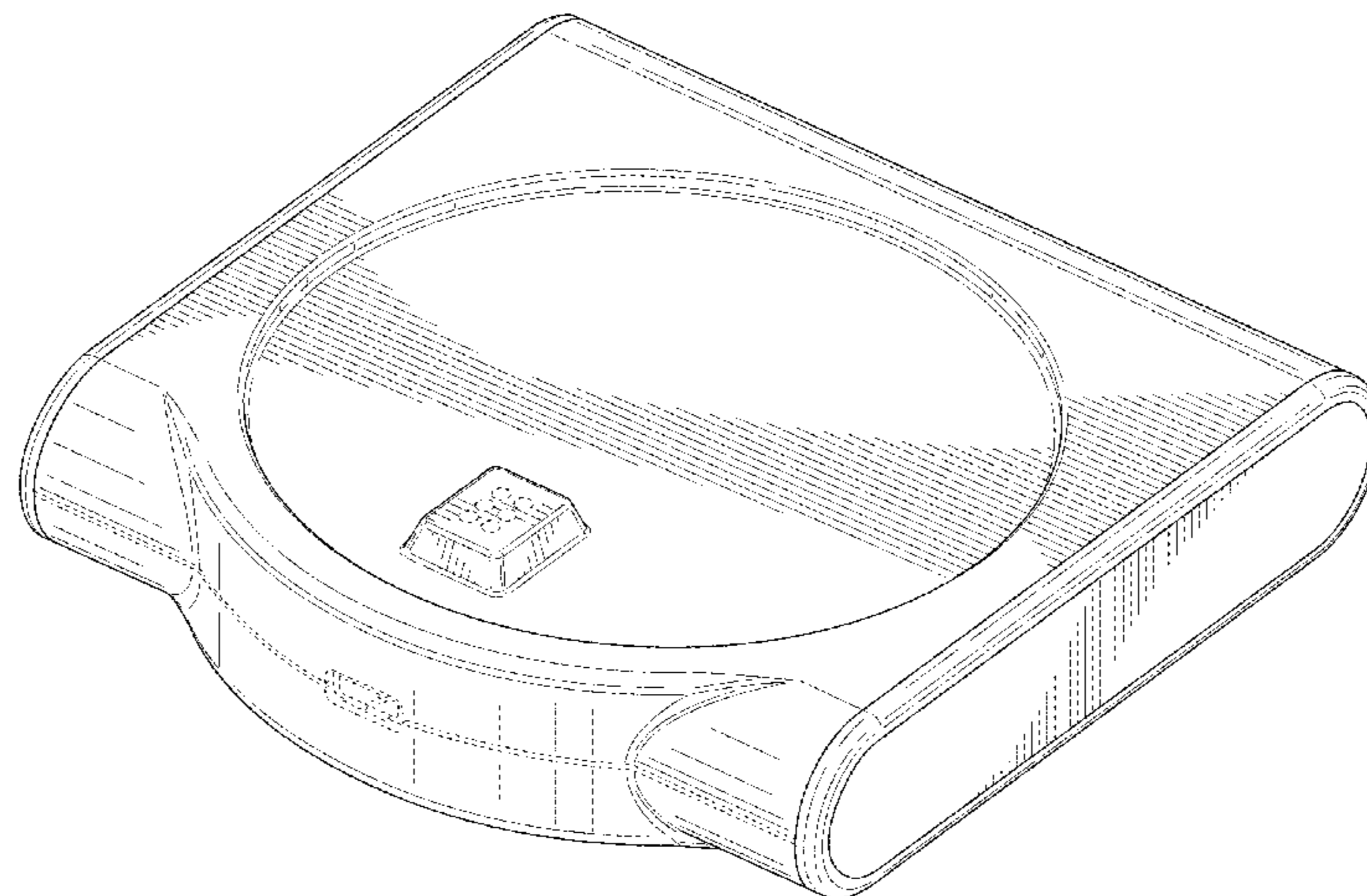
*Primary Examiner* — Anhdao Doan  
(74) *Attorney, Agent, or Firm* — Alston & Bird LLP

(57) **CLAIM**  
The ornamental design for a fluid testing base station, as shown and described.

**DESCRIPTION**

FIG. 1 is a perspective view of a fluid testing base station according to our new design;  
FIG. 2 is a top elevation view of thereof;  
FIG. 3 is a bottom plan view thereof;  
FIG. 4 is a rear elevation view thereof;  
FIG. 5 is a front elevation view thereof;  
FIG. 6 is a left side elevation view thereof; and  
FIG. 7 is a right side elevation view thereof.  
FIG. 8 is a perspective view of a fluid testing base station according to another embodiment of our new design;  
FIG. 9 is a top elevation view of thereof;  
FIG. 10 is a bottom plan view thereof;  
FIG. 11 is a rear elevation view thereof;  
FIG. 12 is a front elevation view thereof;  
FIG. 13 is a left side elevation view thereof; and  
FIG. 14 is a right side elevation view thereof.  
FIG. 15 is a perspective view of a fluid testing base station according to still another embodiment of our new design;  
FIG. 16 is a top elevation view of thereof;  
FIG. 17 is a bottom plan view thereof;  
FIG. 18 is a rear elevation view thereof;  
FIG. 19 is a front elevation view thereof;  
FIG. 20 is a left side elevation view thereof; and,  
FIG. 21 is a right side elevation view thereof.  
The dash-dash broken lines showing in the views illustrate unclaimed portions of the fluid testing base station and form no part of the claimed design.

**1 Claim, 15 Drawing Sheets**



(56)

**References Cited**

U.S. PATENT DOCUMENTS

D493,232	S	7/2004	Wohlstadter et al.	
D706,945	S	6/2014	Chan et al.	
D720,466	S	12/2014	Edding	
D739,031	S	9/2015	Golden et al.	
D748,814	S *	2/2016	Han .....	D24/216
D789,550	S	6/2017	Ludlow et al.	
D800,912	S	10/2017	Uzri et al.	
D805,650	S *	12/2017	Hsiung .....	D24/216
D812,246	S *	3/2018	Hommel .....	D24/231
D814,045	S *	3/2018	Kamees .....	D24/216
D819,829	S *	6/2018	Osmus .....	D24/232
2006/0066858	A1	3/2006	Jaunakais et al.	
2006/0088895	A1	4/2006	Wanders et al.	

\* cited by examiner

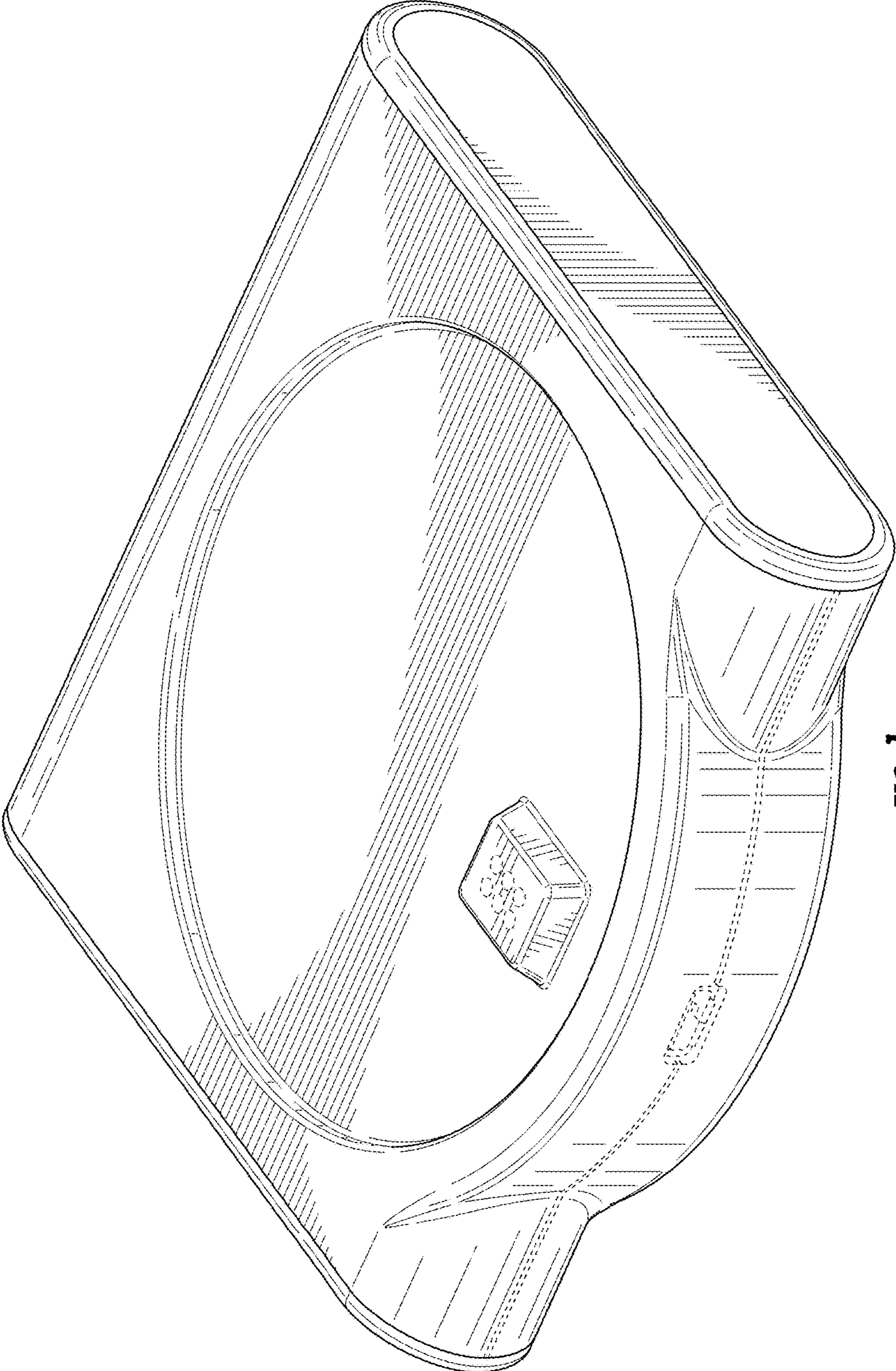


FIG. 1

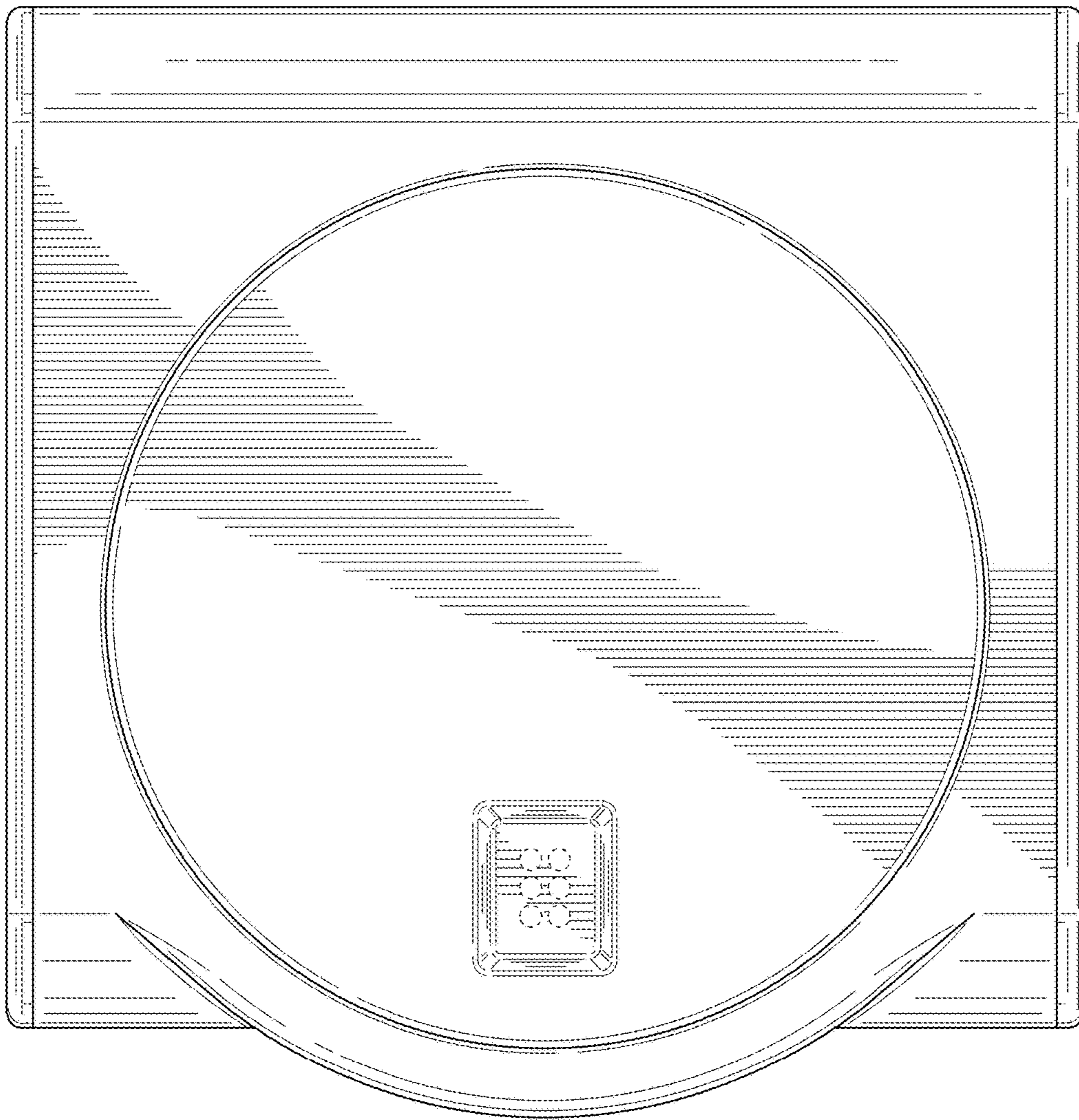


FIG. 2

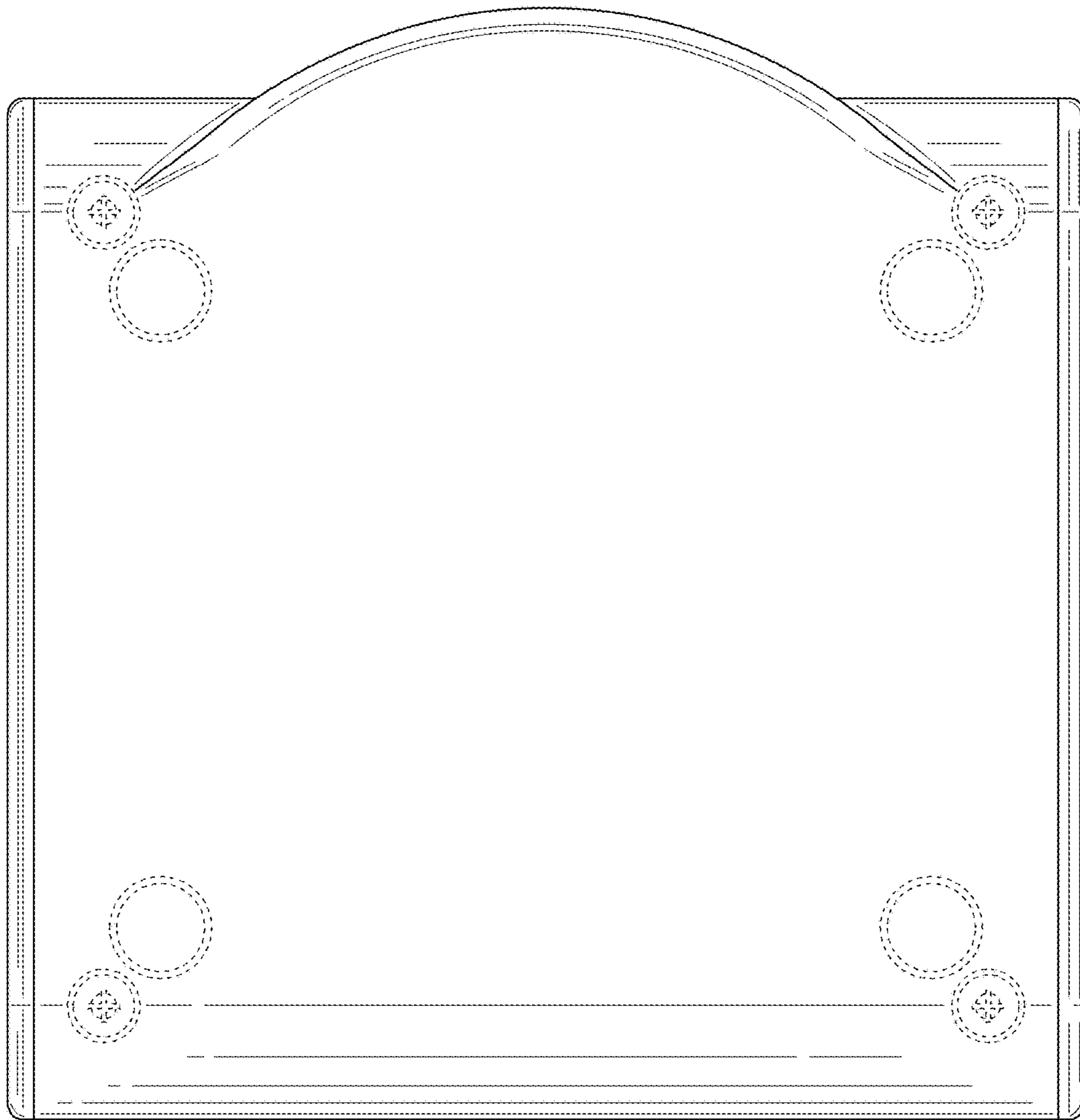


FIG. 3

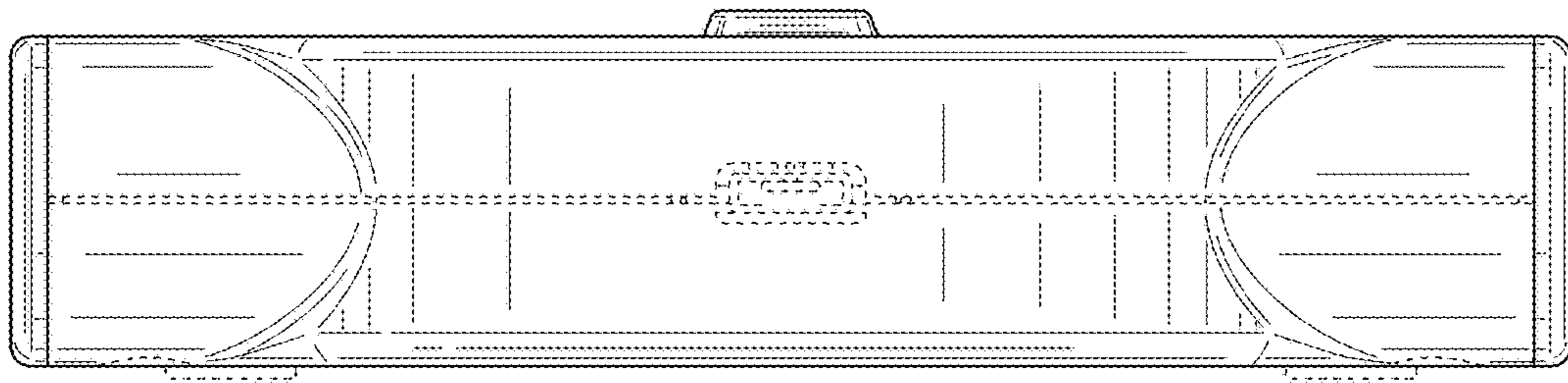


FIG. 4

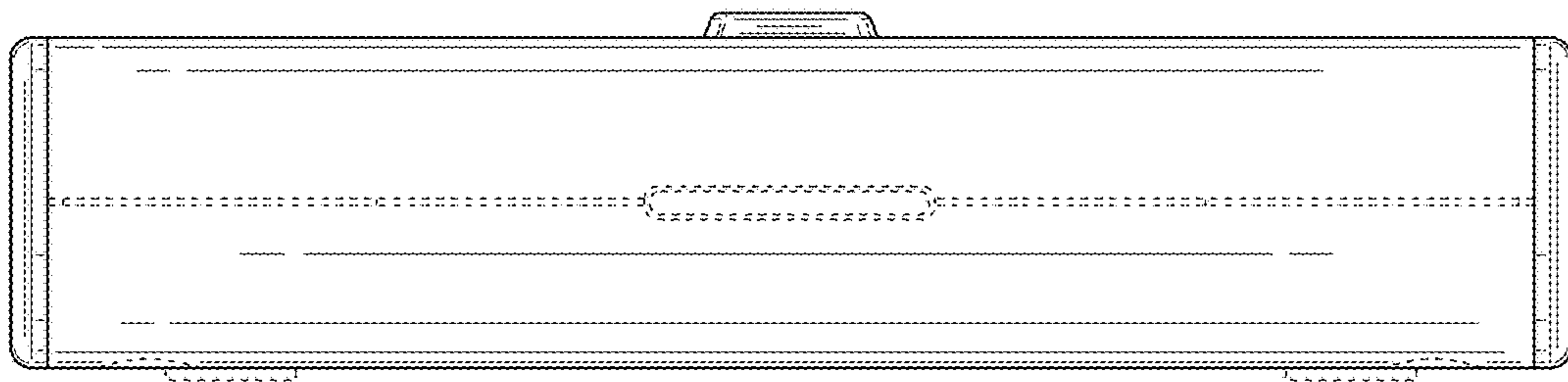


FIG. 5

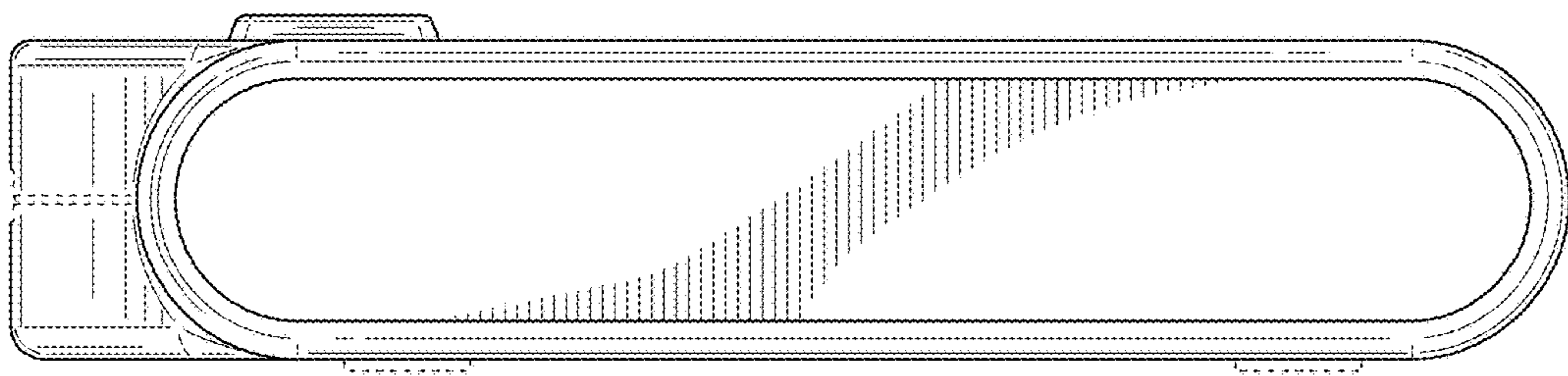


FIG. 6

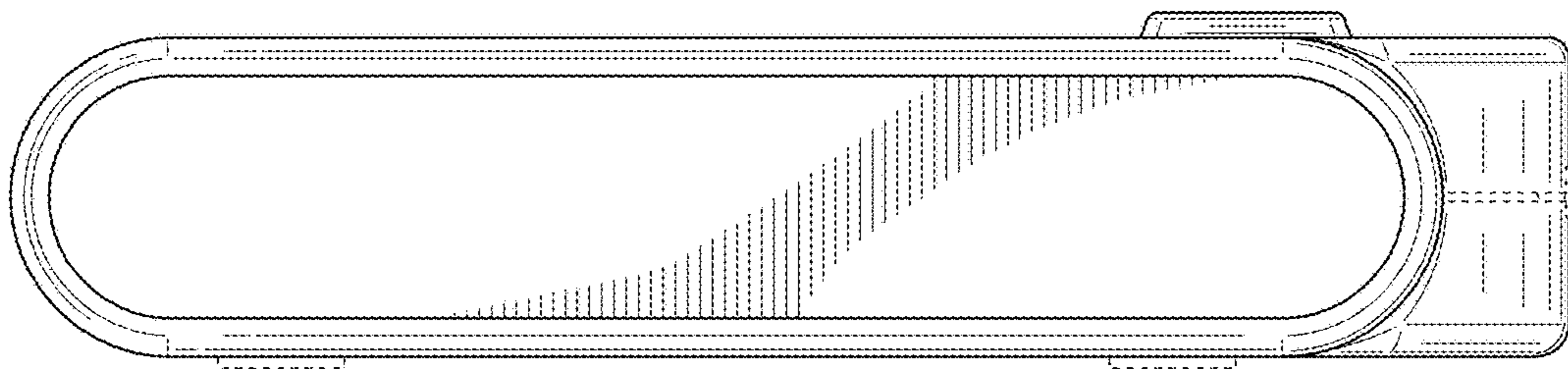


FIG. 7

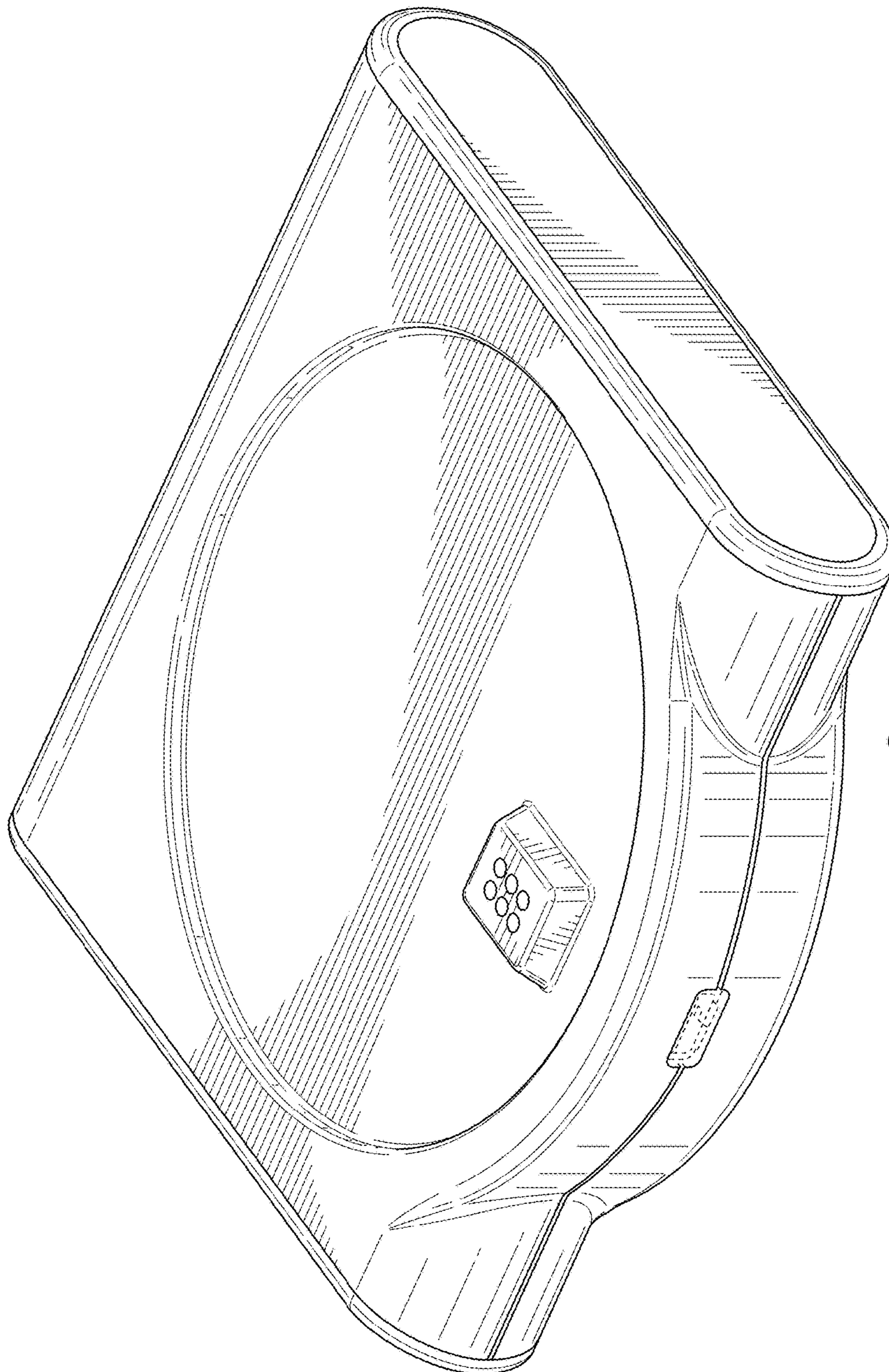


FIG. 8



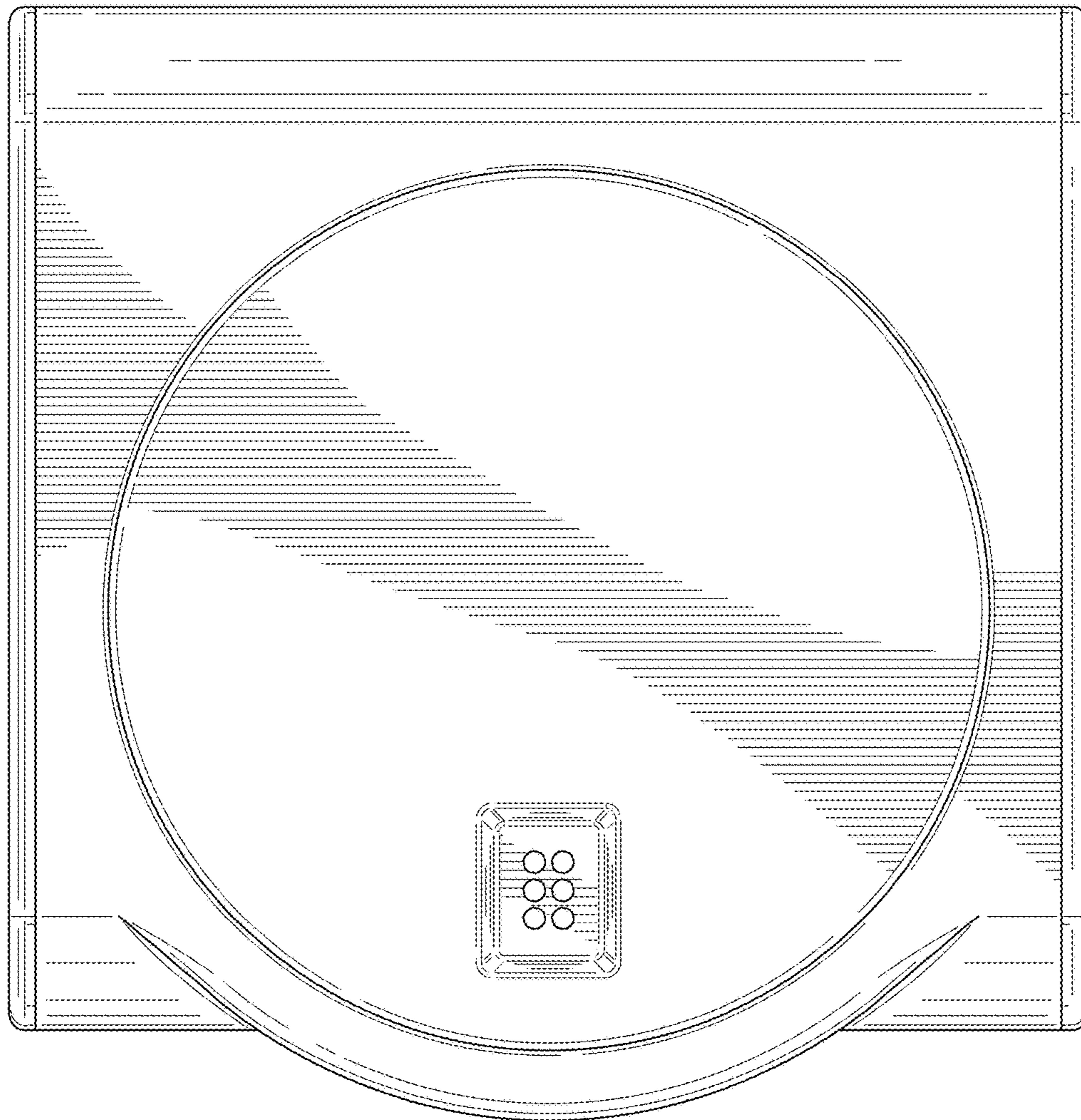


FIG. 9

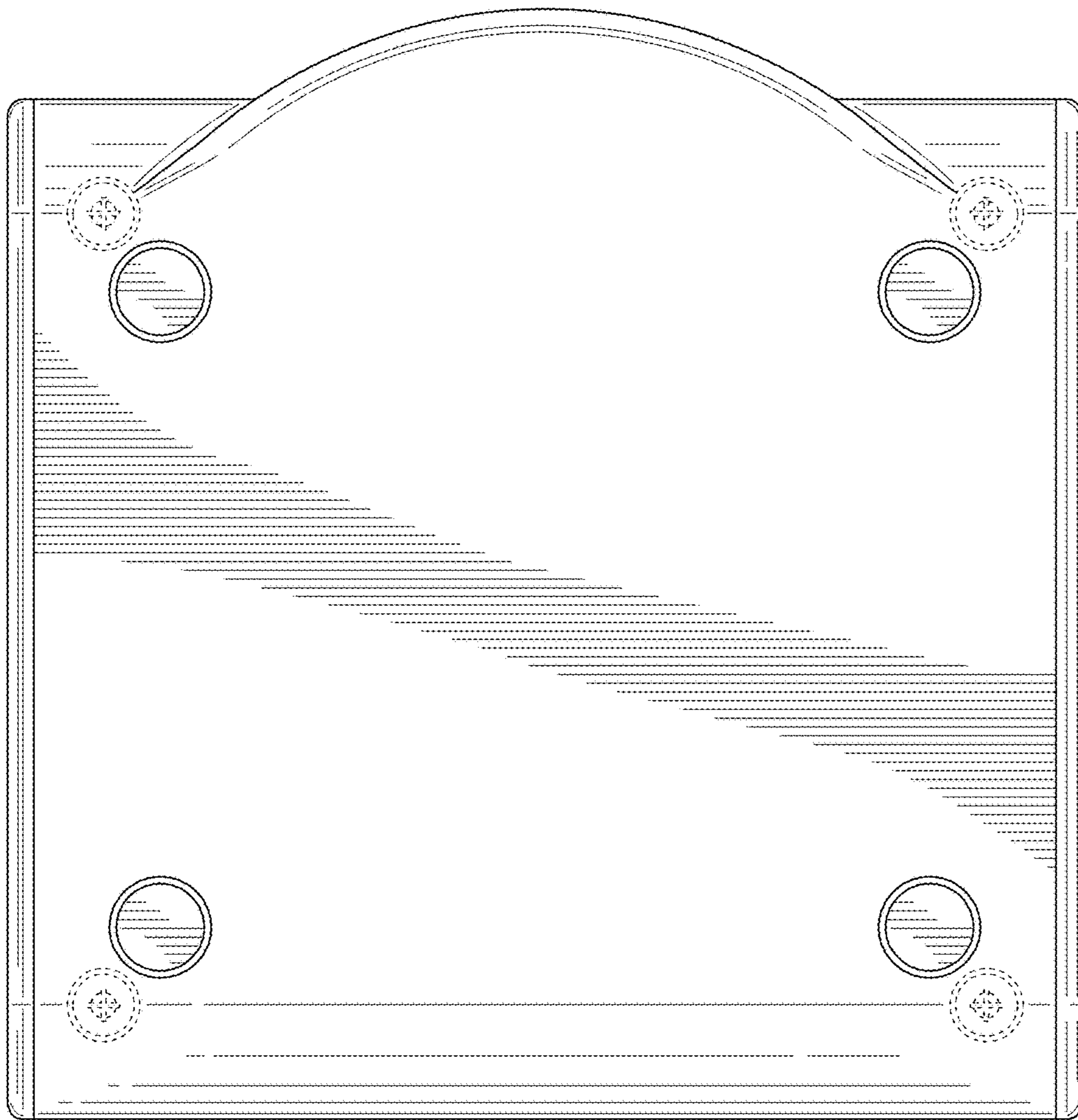


FIG. 10

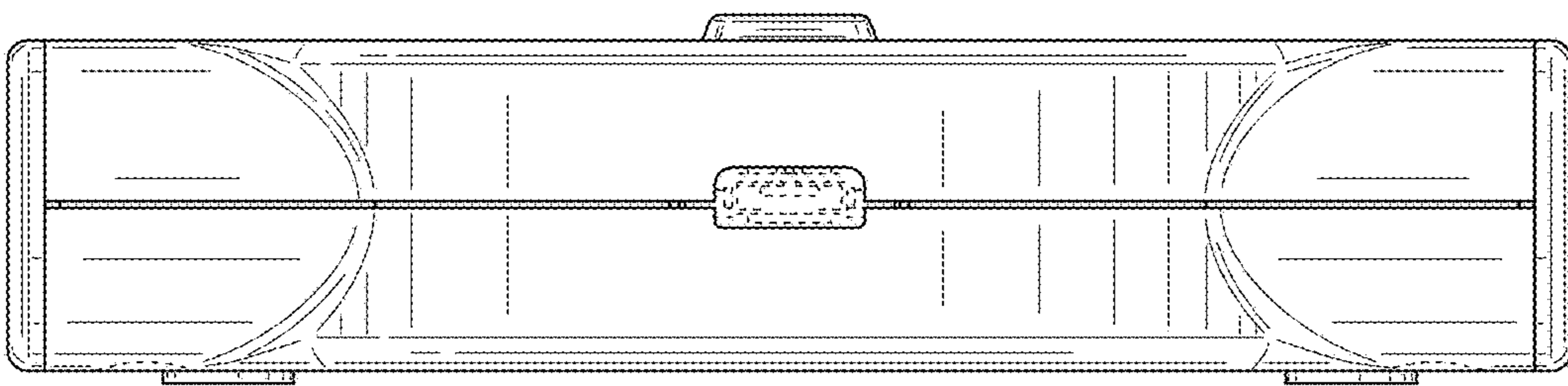


FIG. 11

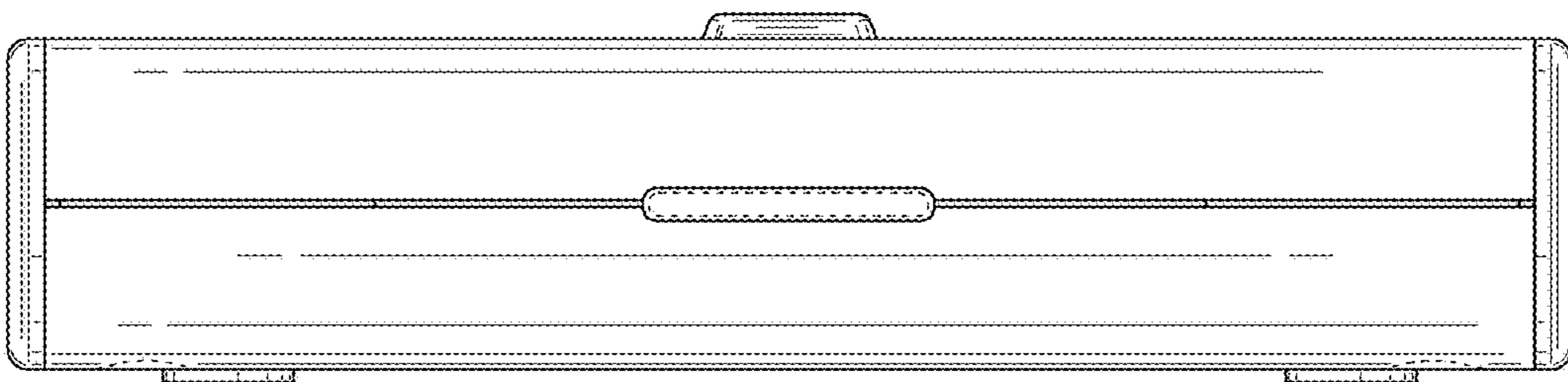


FIG. 12

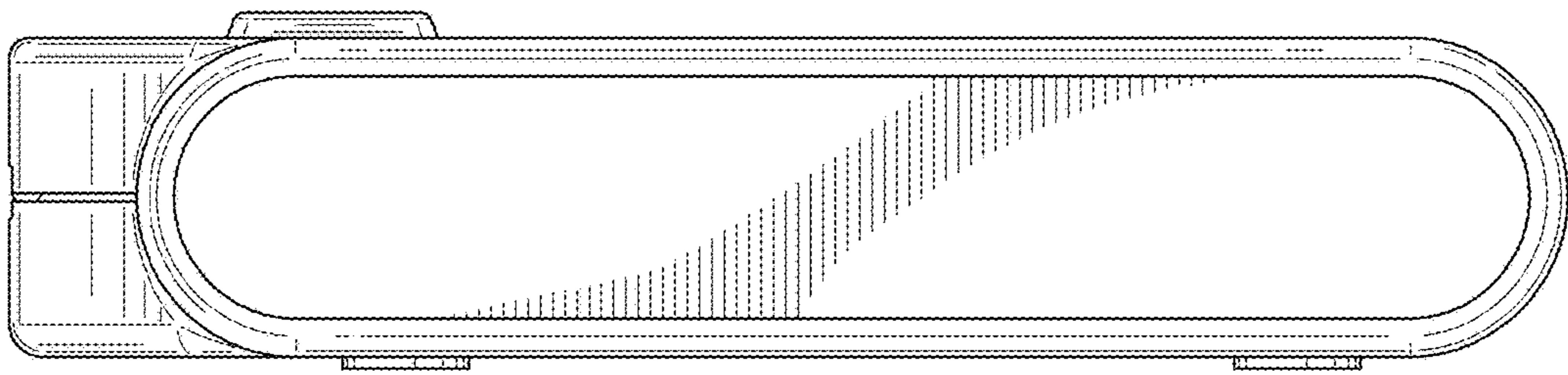


FIG. 13

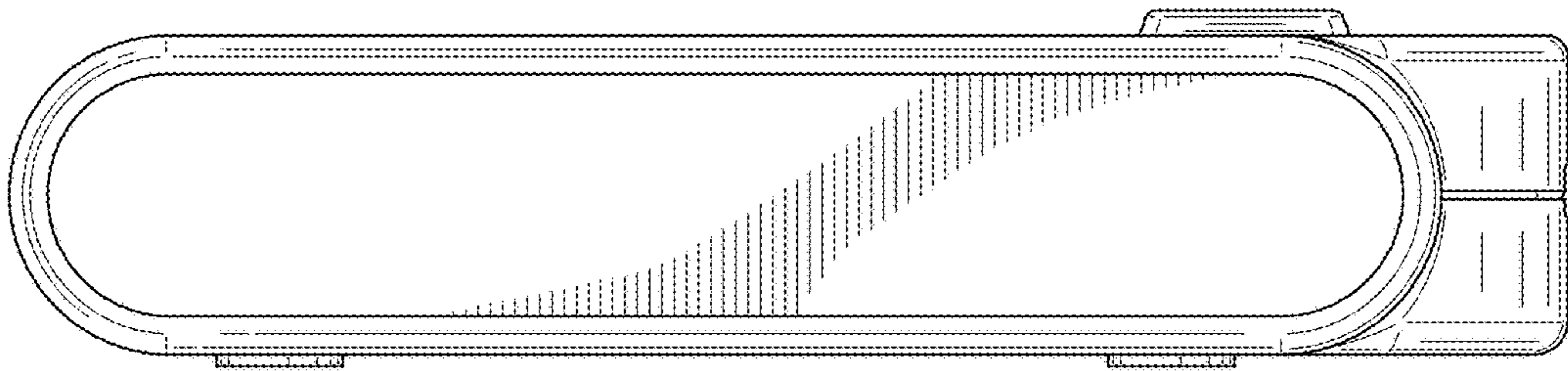


FIG. 14

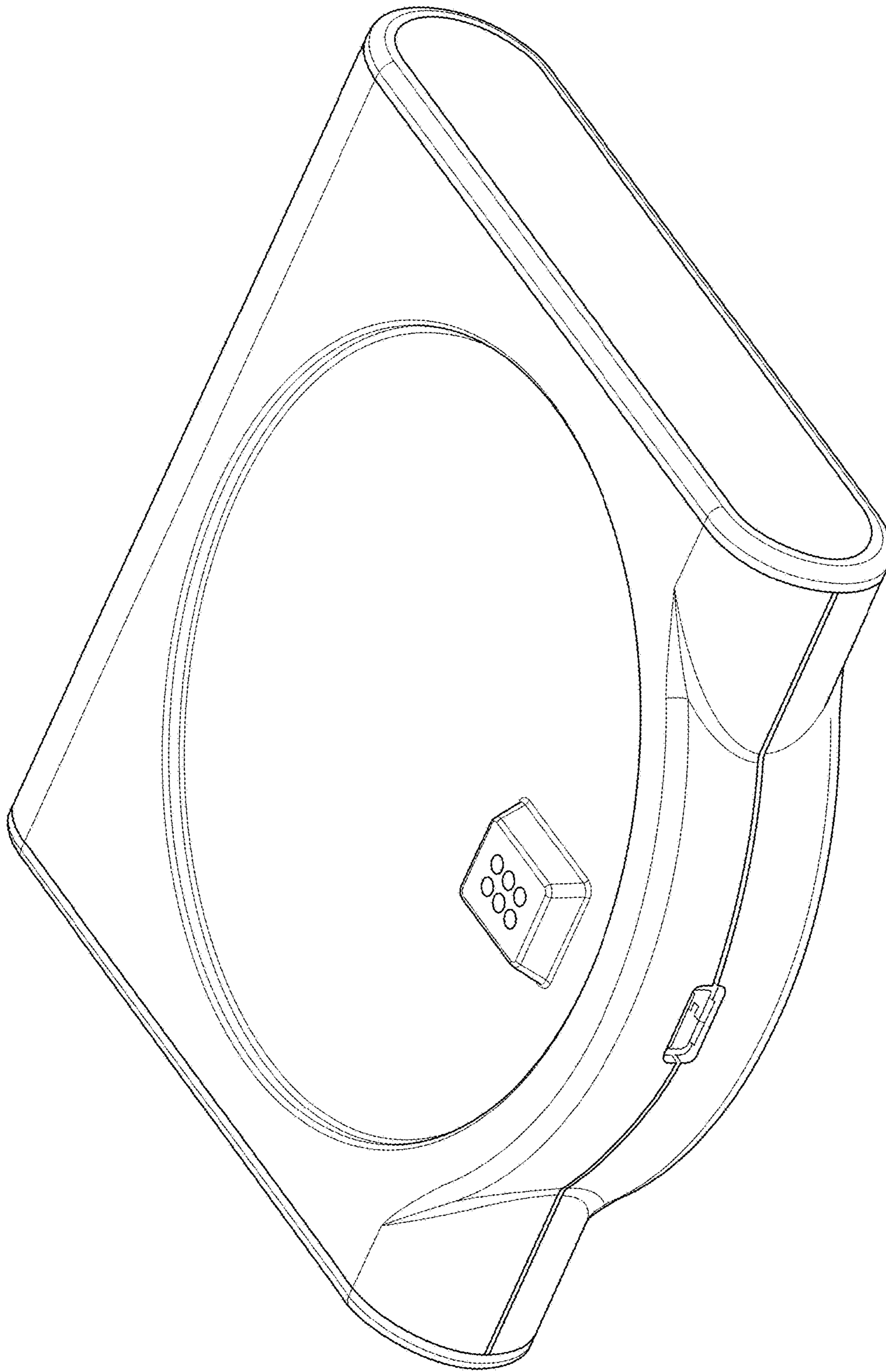


FIG. 15

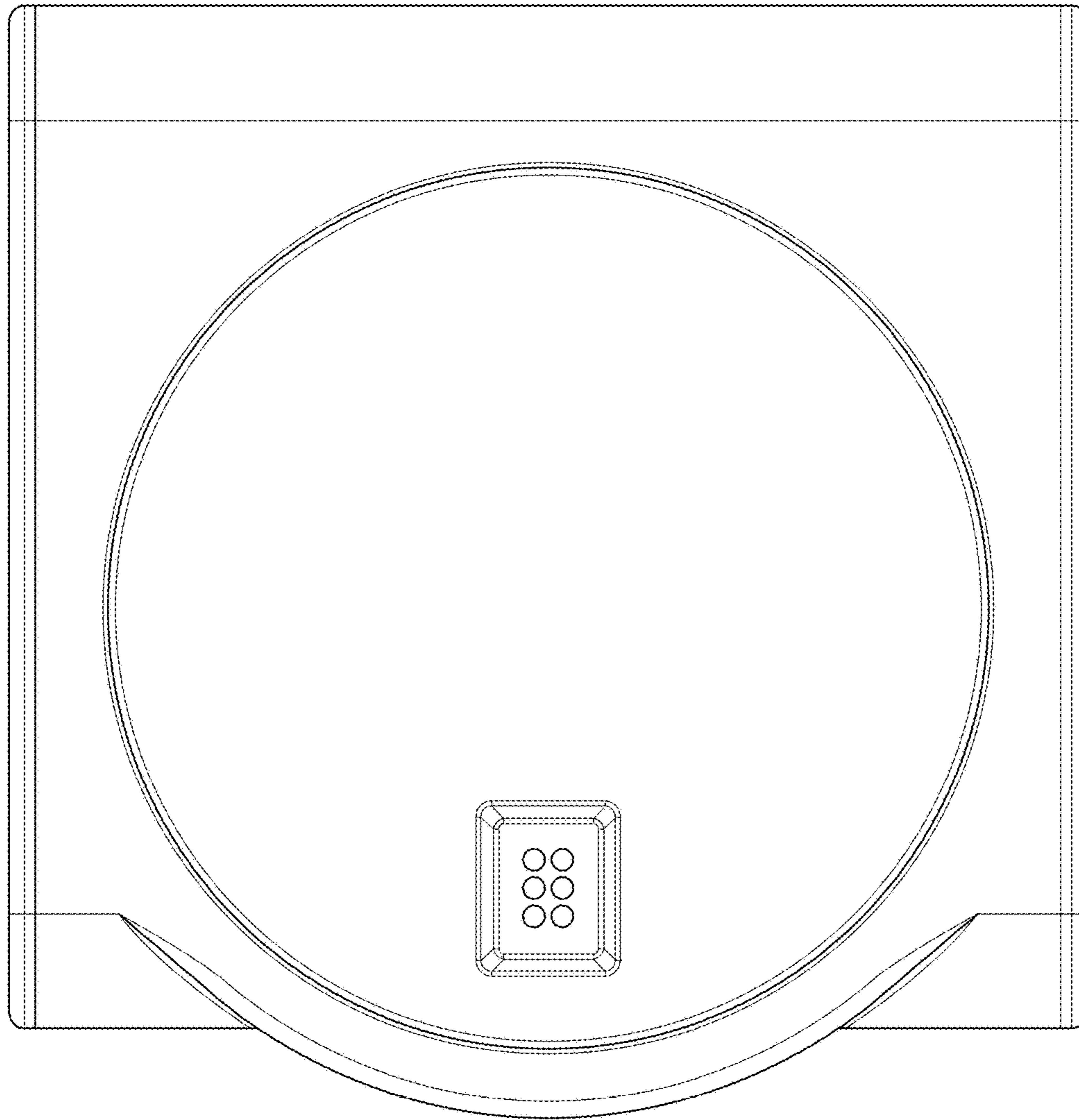


FIG. 16

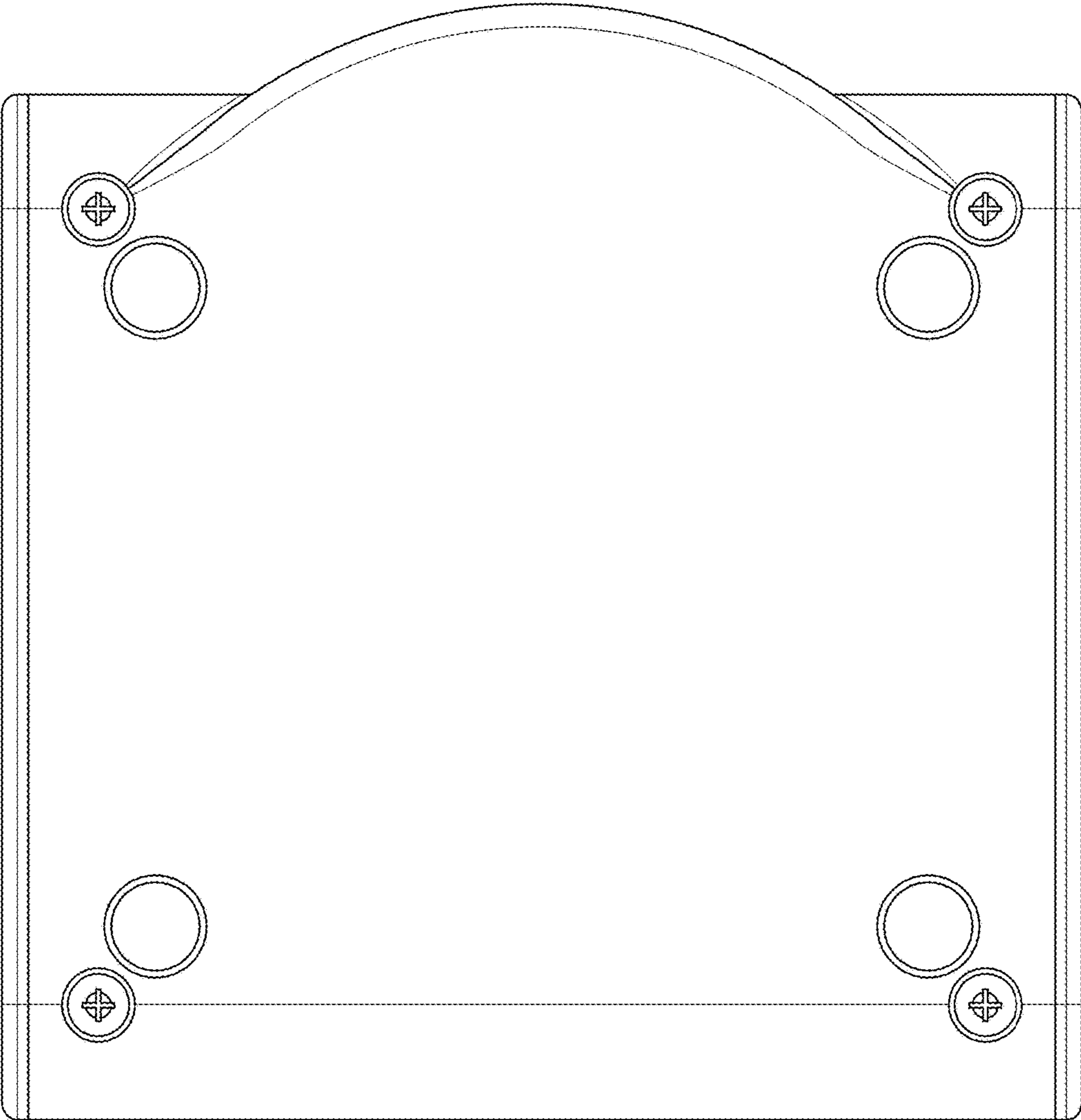


FIG. 17

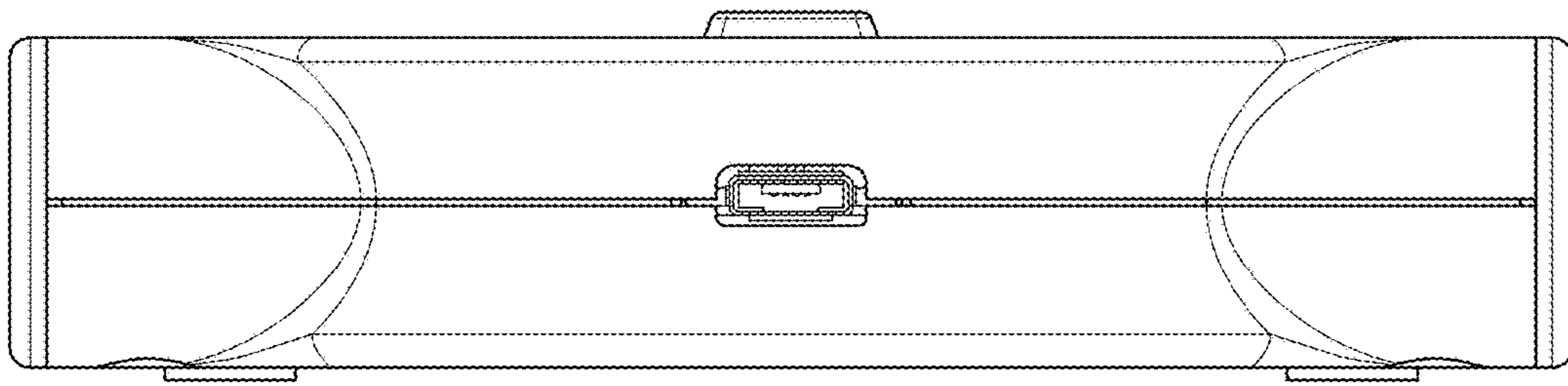


FIG. 18

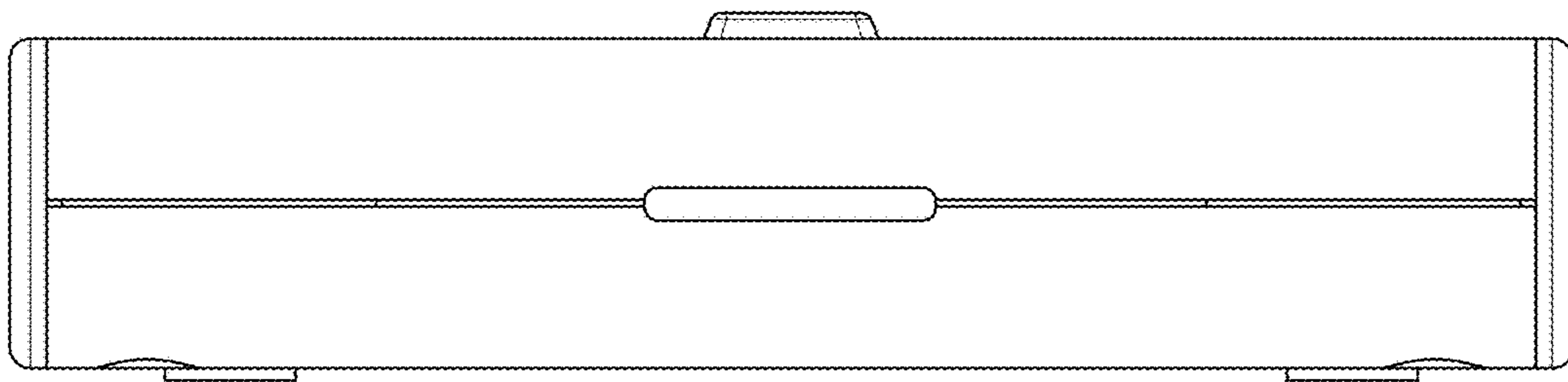


FIG. 19



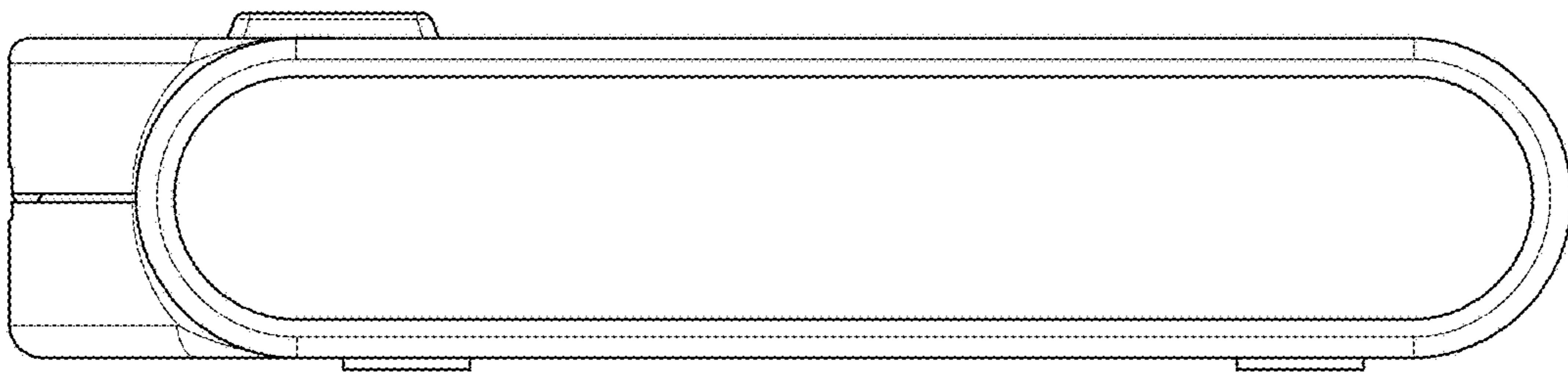


FIG. 20

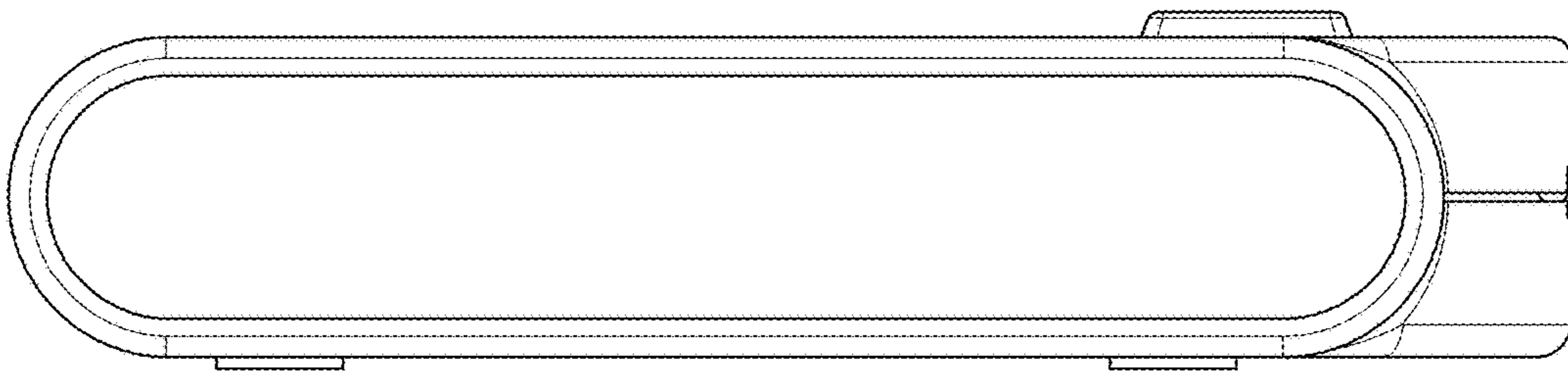


FIG. 21