



US00D839442S

(12) **United States Design Patent** (10) **Patent No.:** **US D839,442 S**
Dohm (45) **Date of Patent:** **** Jan. 29, 2019**

(54) **CONTAINER WARMING DEVICE**
(71) Applicant: **Wiesman Holdings, LLC**, York, PA (US)
(72) Inventor: **Ryan Dohm**, York, PA (US)
(73) Assignee: **Wiesman Holdings, LLC**, York, PA (US)
(**) Term: **15 Years**
(21) Appl. No.: **29/614,823**
(22) Filed: **Aug. 23, 2017**
(51) **LOC (11) Cl.** **24-01**
(52) **U.S. Cl.**
USPC **D24/216**
(58) **Field of Classification Search**
USPC D24/107, 169, 185, 186, 216–219,
D24/231–234; D10/81
CPC A47J 36/2405; A47J 36/2433; A61L 2/04;
A61L 2/08; A61L 2/0023; B01L
2300/1827
See application file for complete search history.

D653,764 S * 2/2012 Macemon D24/216
8,785,819 B2 7/2014 Madigan et al.
D782,058 S * 3/2017 Wan D24/216
D825,778 S * 8/2018 Brenner D24/232

* cited by examiner

Primary Examiner — Anhdao Doan
(74) *Attorney, Agent, or Firm* — Barley Snyder

(57) **CLAIM**

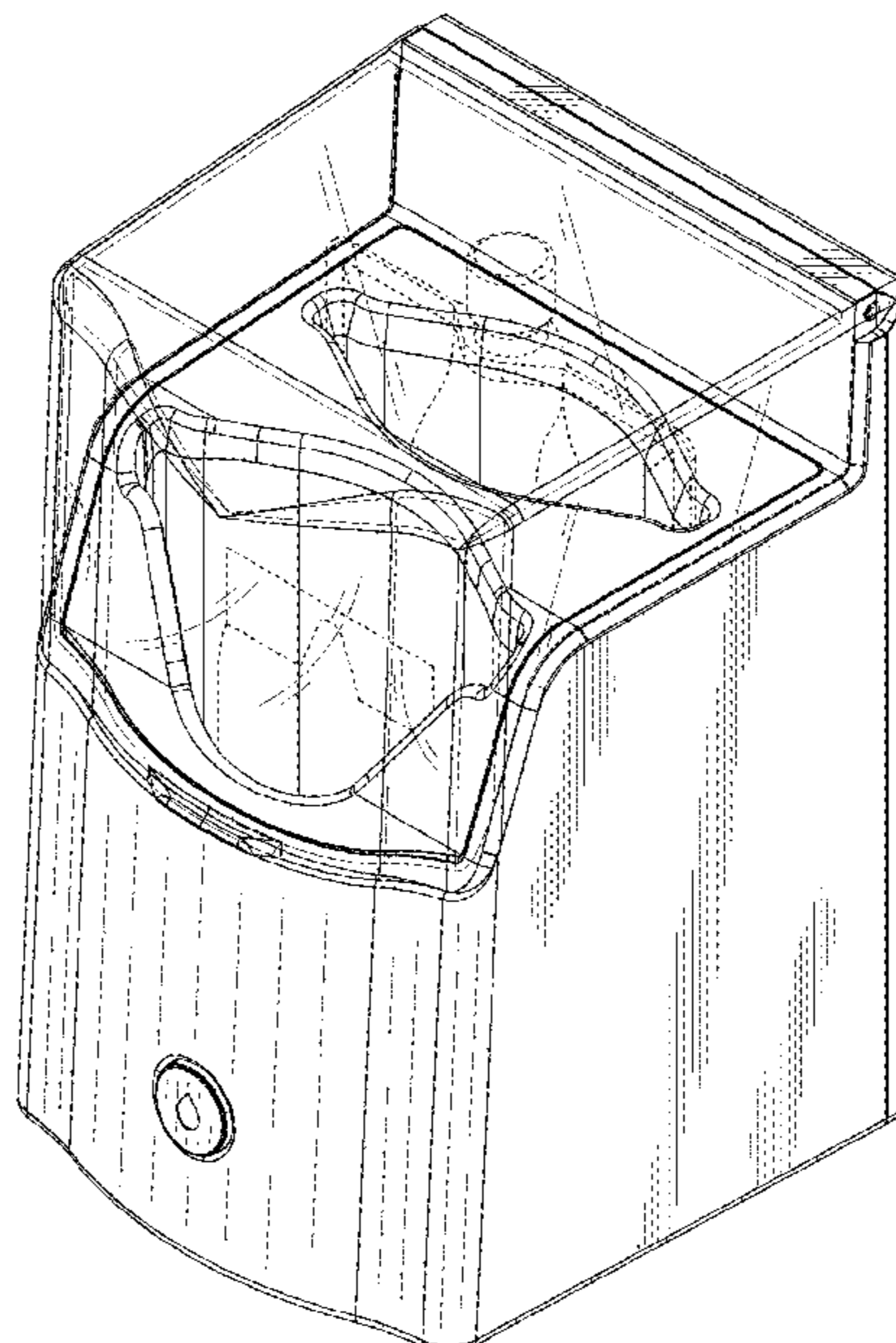
The ornamental design for a container warming device, as shown and described.

DESCRIPTION

FIG. 1 is a top, front and right side perspective view of a container warming device, showing the new design;
FIG. 2 is a front elevation view thereof;
FIG. 3 is a rear elevation view thereof;
FIG. 4 is a left side elevation view thereof;
FIG. 5 is a right side elevation view thereof;
FIG. 6 is a top plan view thereof;
FIG. 7 is a bottom plan view thereof;
FIG. 8 is a bottom, rear and left side perspective view thereof;
FIG. 9 is another top, front and right side perspective view of the container warming device of FIG. 1, showing a cover thereof in an open position; and,
FIG. 10 is a top, front and left side perspective view of the container warming device of FIG. 9, showing the cover in an open position.
The dashed lines formed by short segments of equal length and equal spacing shown in the figures illustrate portions of the container warming device that form no part of the claimed design.

(56) **References Cited**
U.S. PATENT DOCUMENTS
D453,380 S * 2/2002 Waluszko D24/216
D457,644 S * 5/2002 Waluszko D24/216
D459,481 S * 6/2002 Levin D24/232
6,703,590 B1 3/2004 Holley, Jr.
6,965,094 B1 * 11/2005 Friedman A47J 36/2405
126/20
D561,349 S * 2/2008 Levin D24/232
D645,975 S * 9/2011 Barkey D24/232

1 Claim, 10 Drawing Sheets



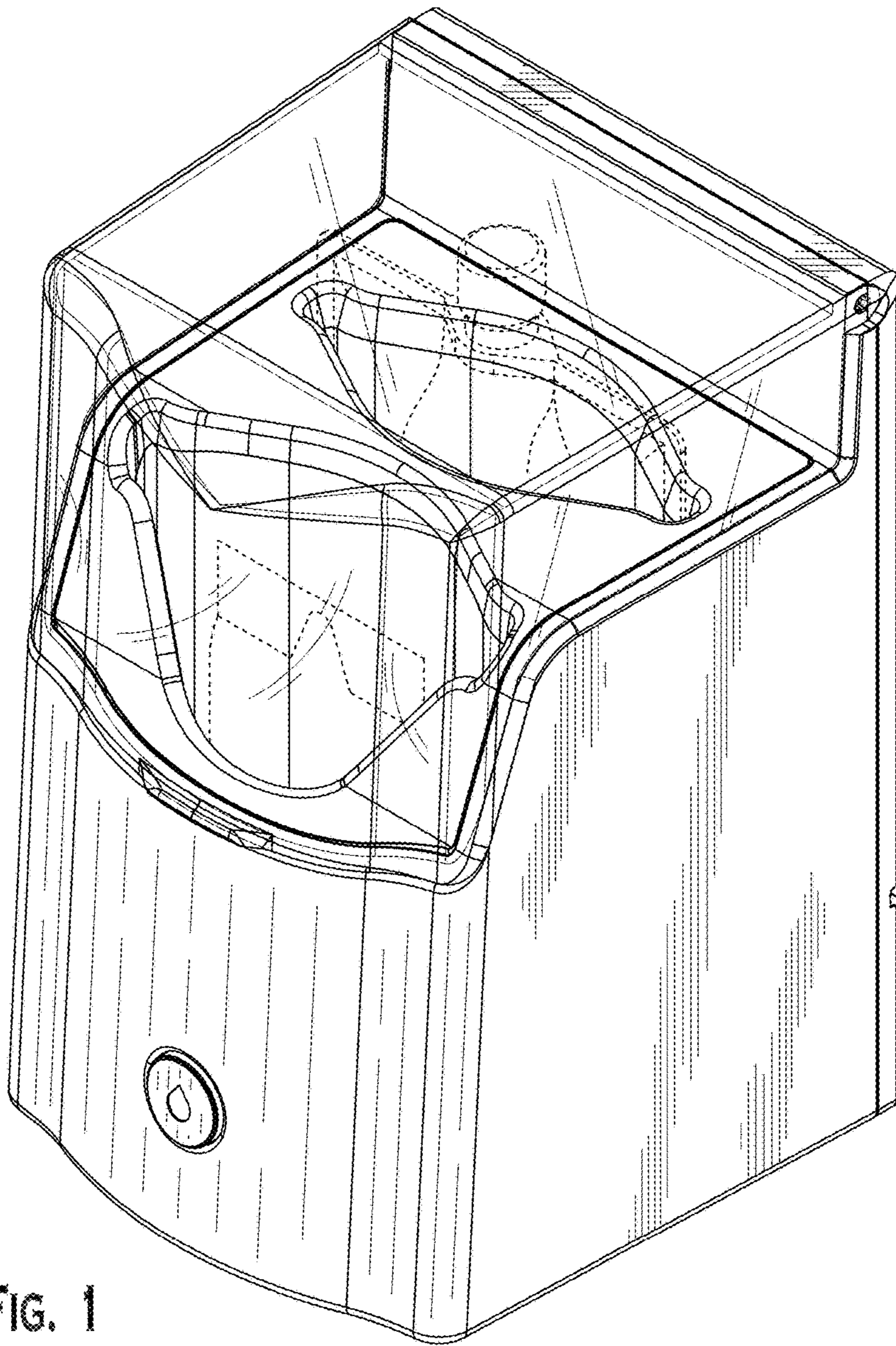


FIG. 1

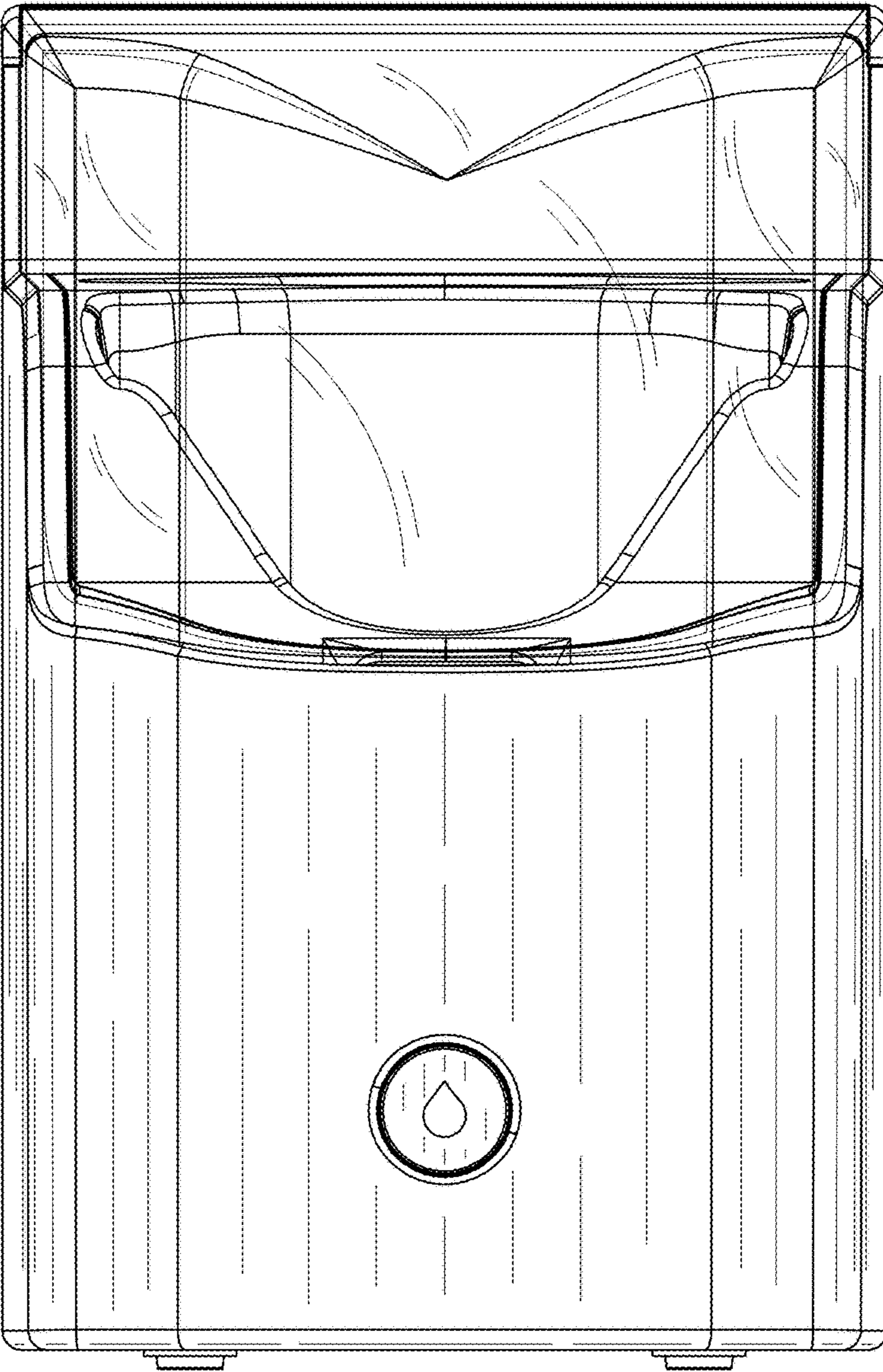


FIG. 2

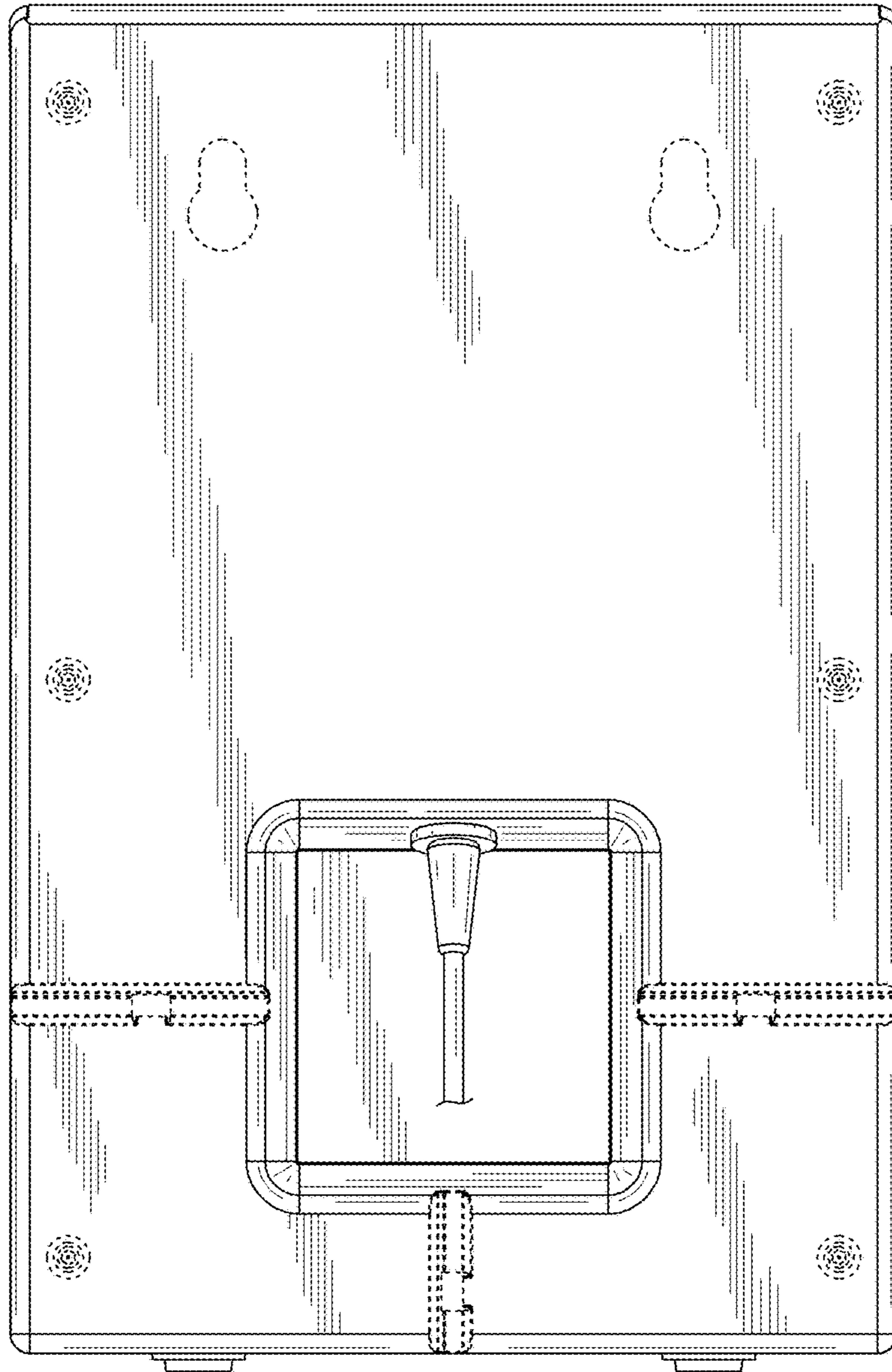


FIG. 3

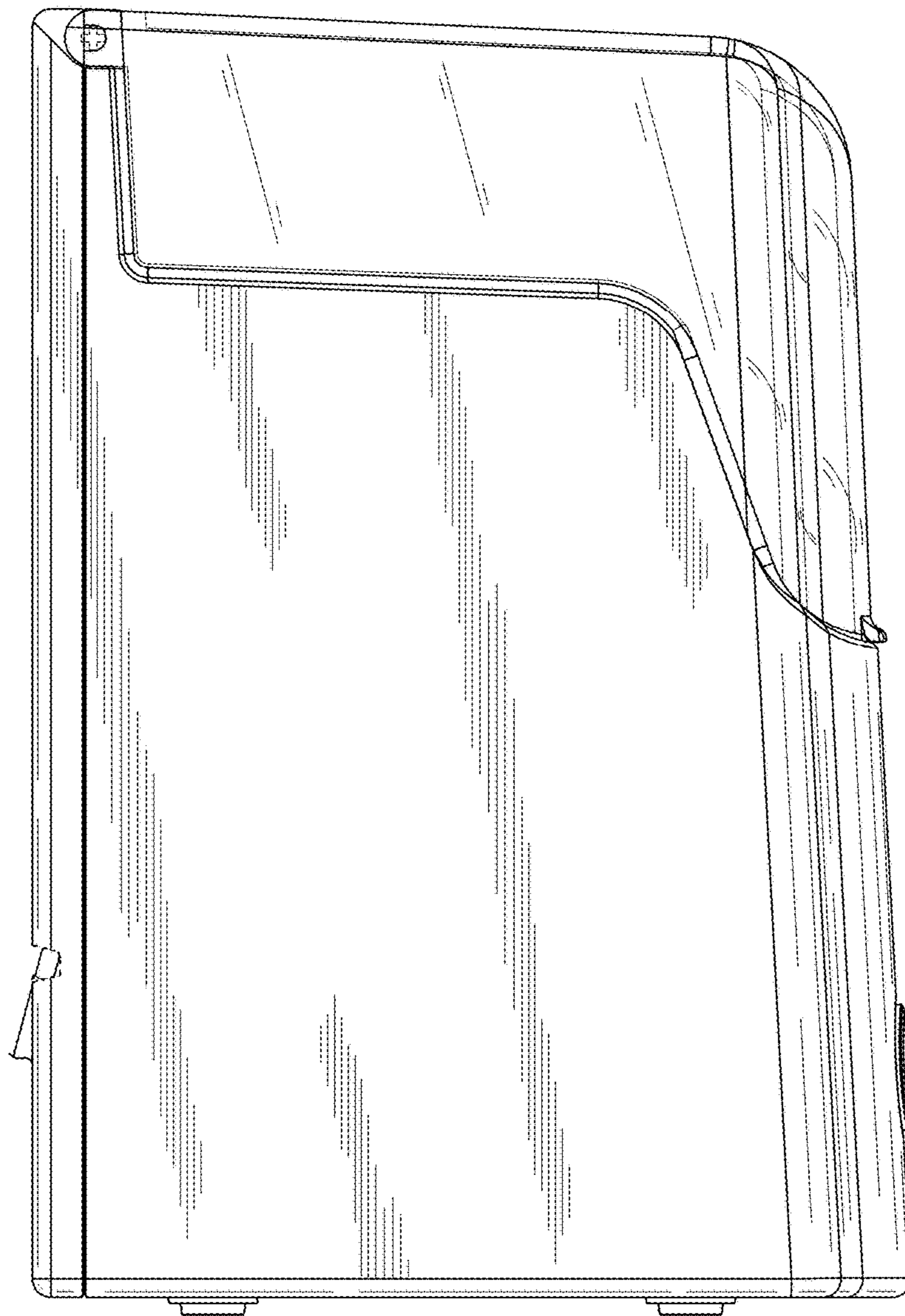


FIG. 4

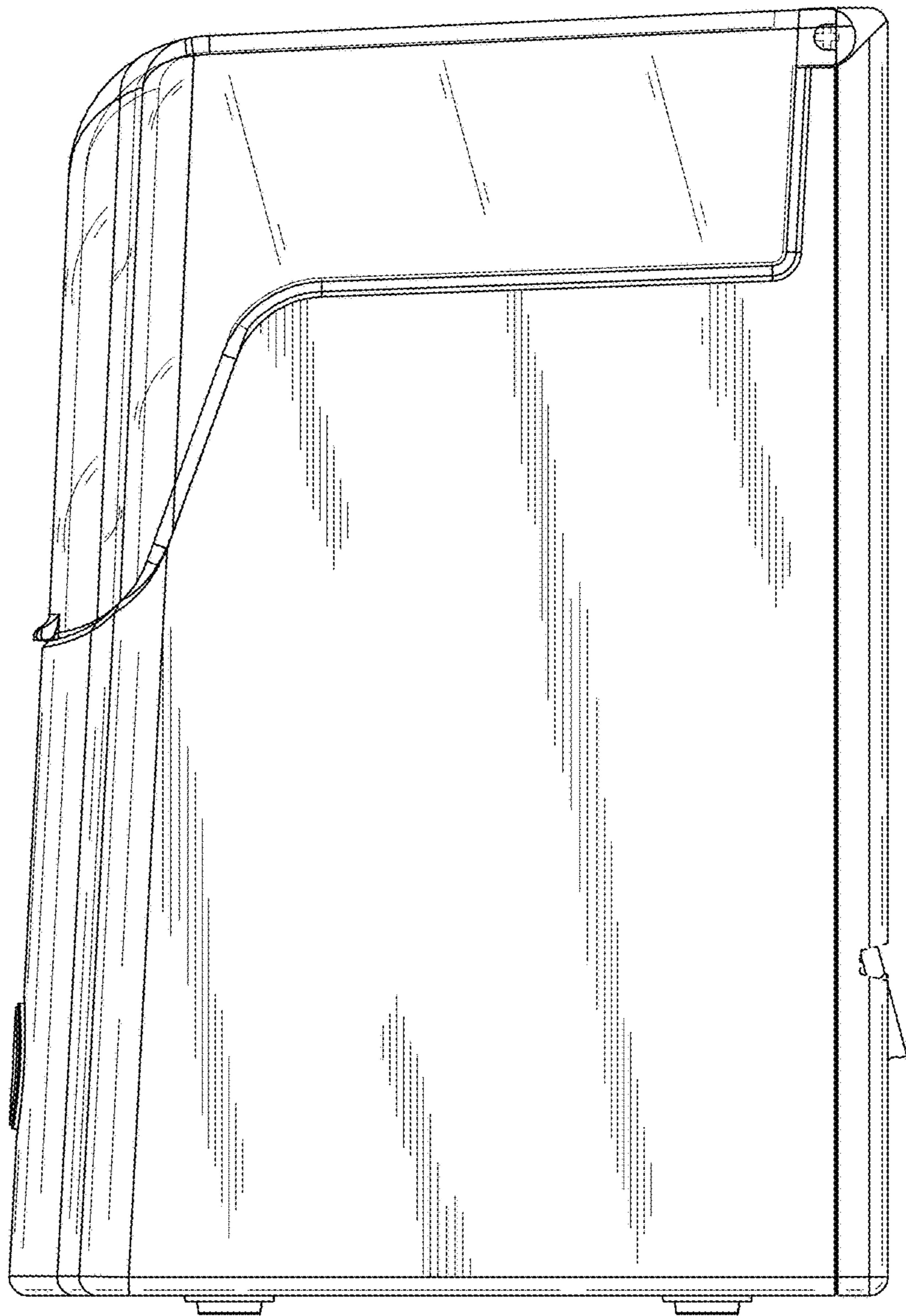


FIG. 5

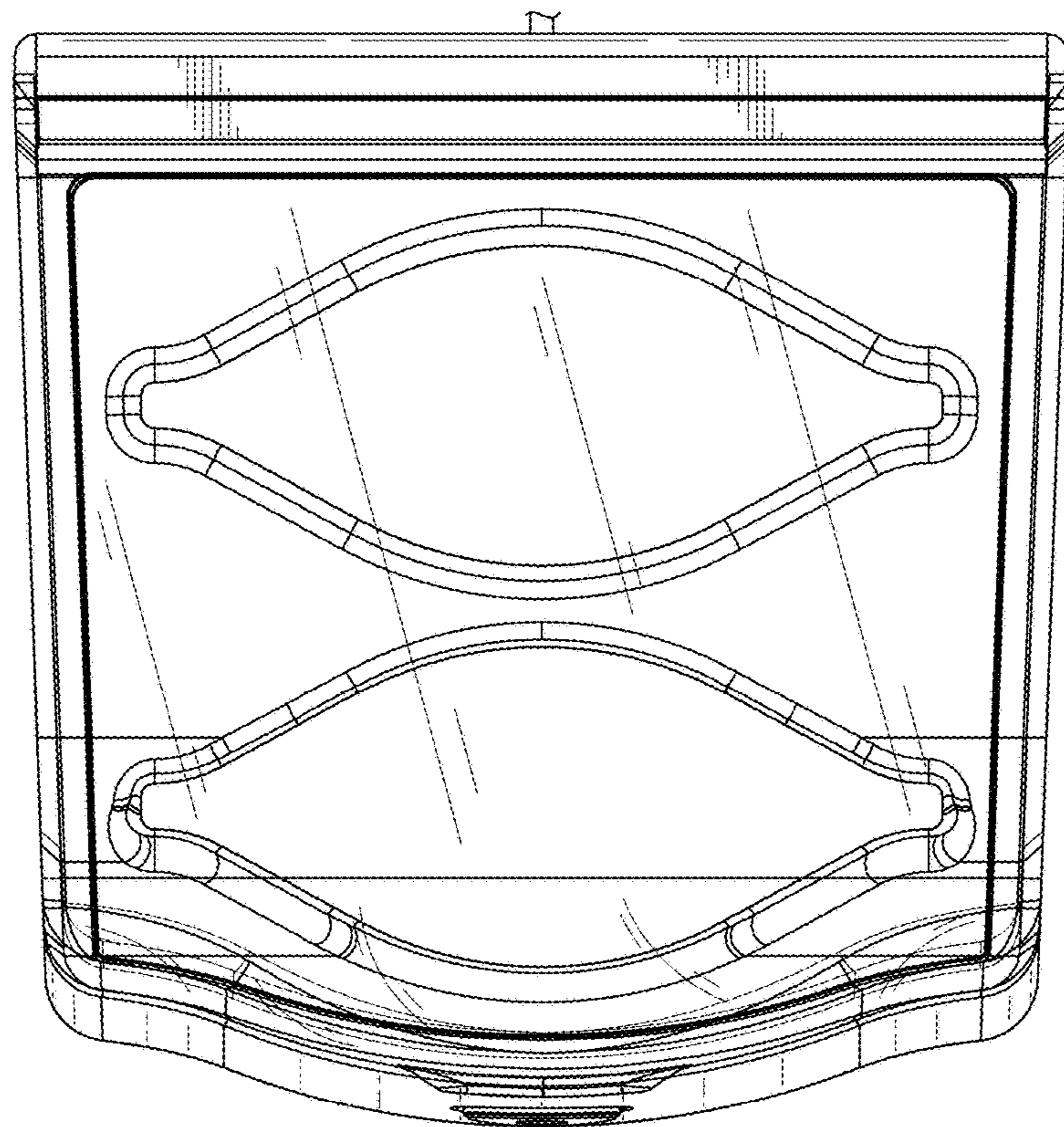


FIG. 6

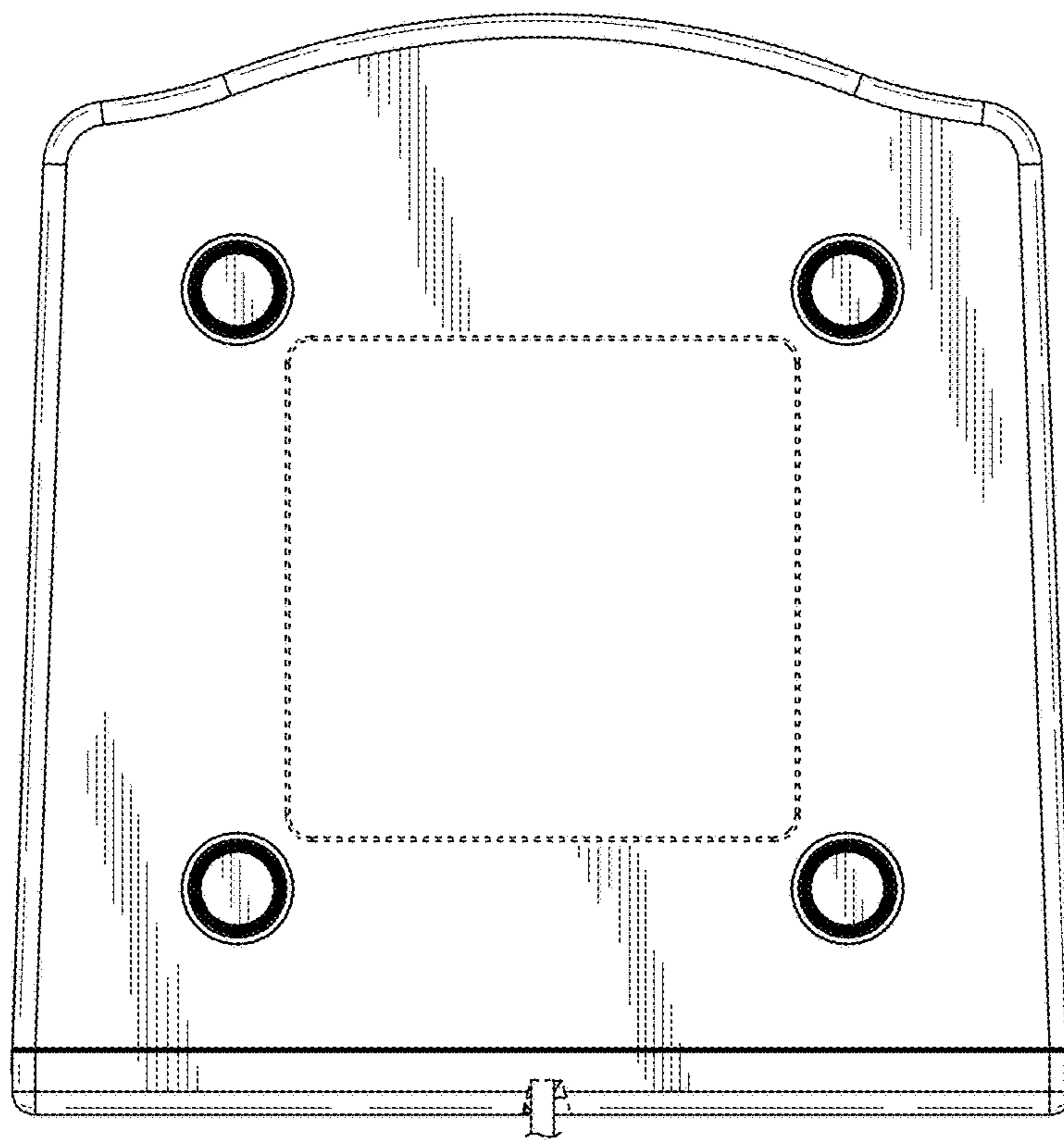


FIG. 7

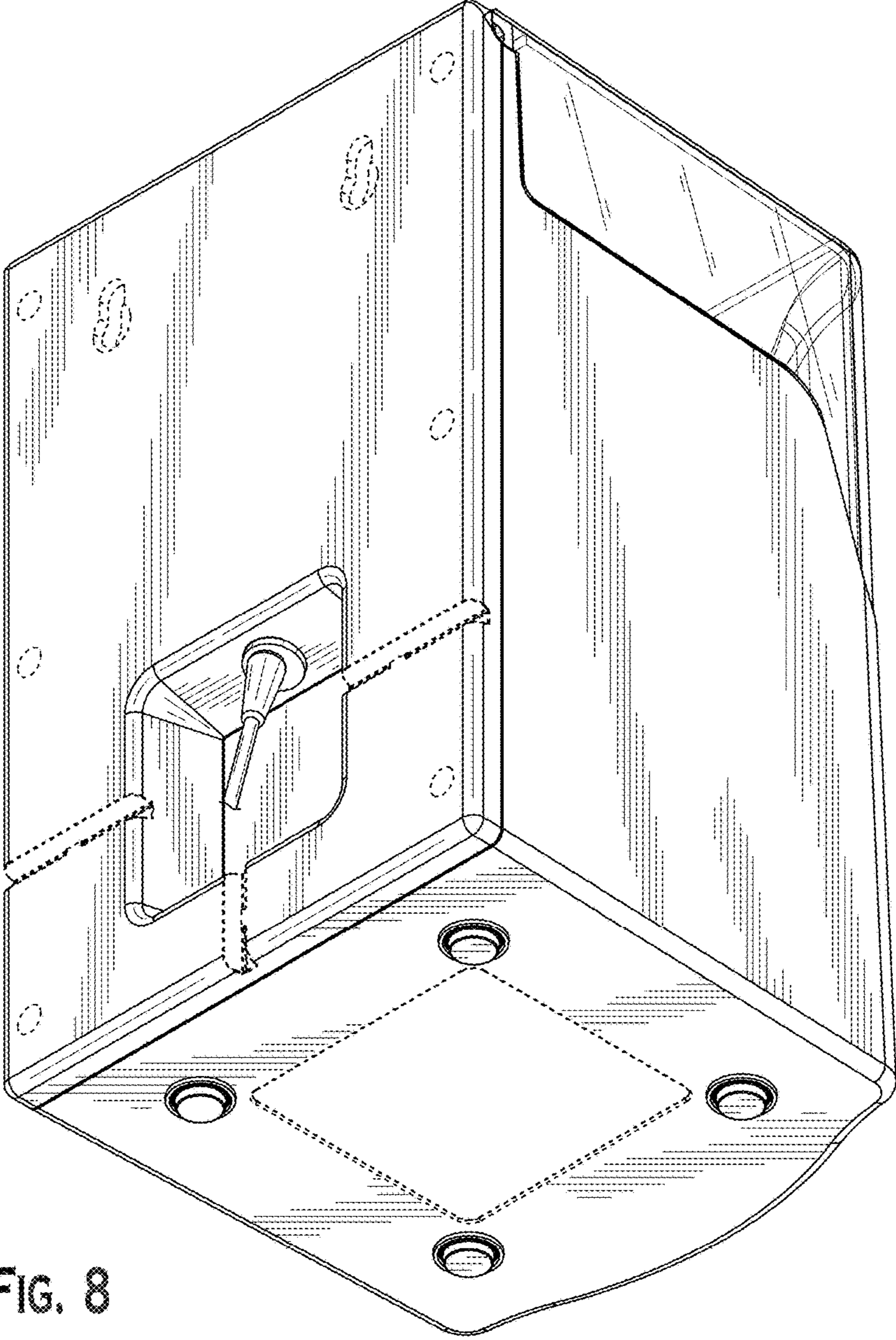


FIG. 8

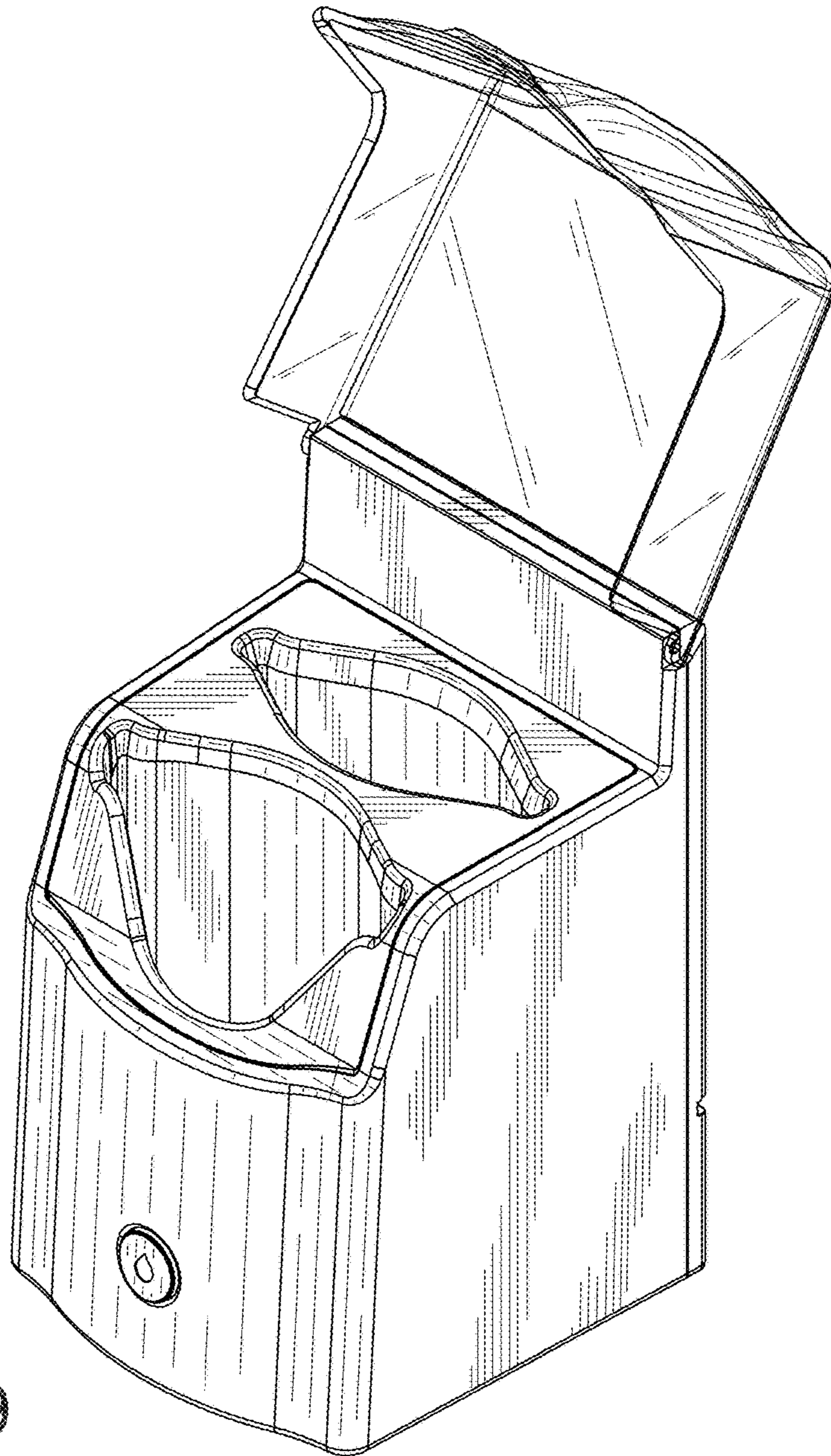


FIG. 9

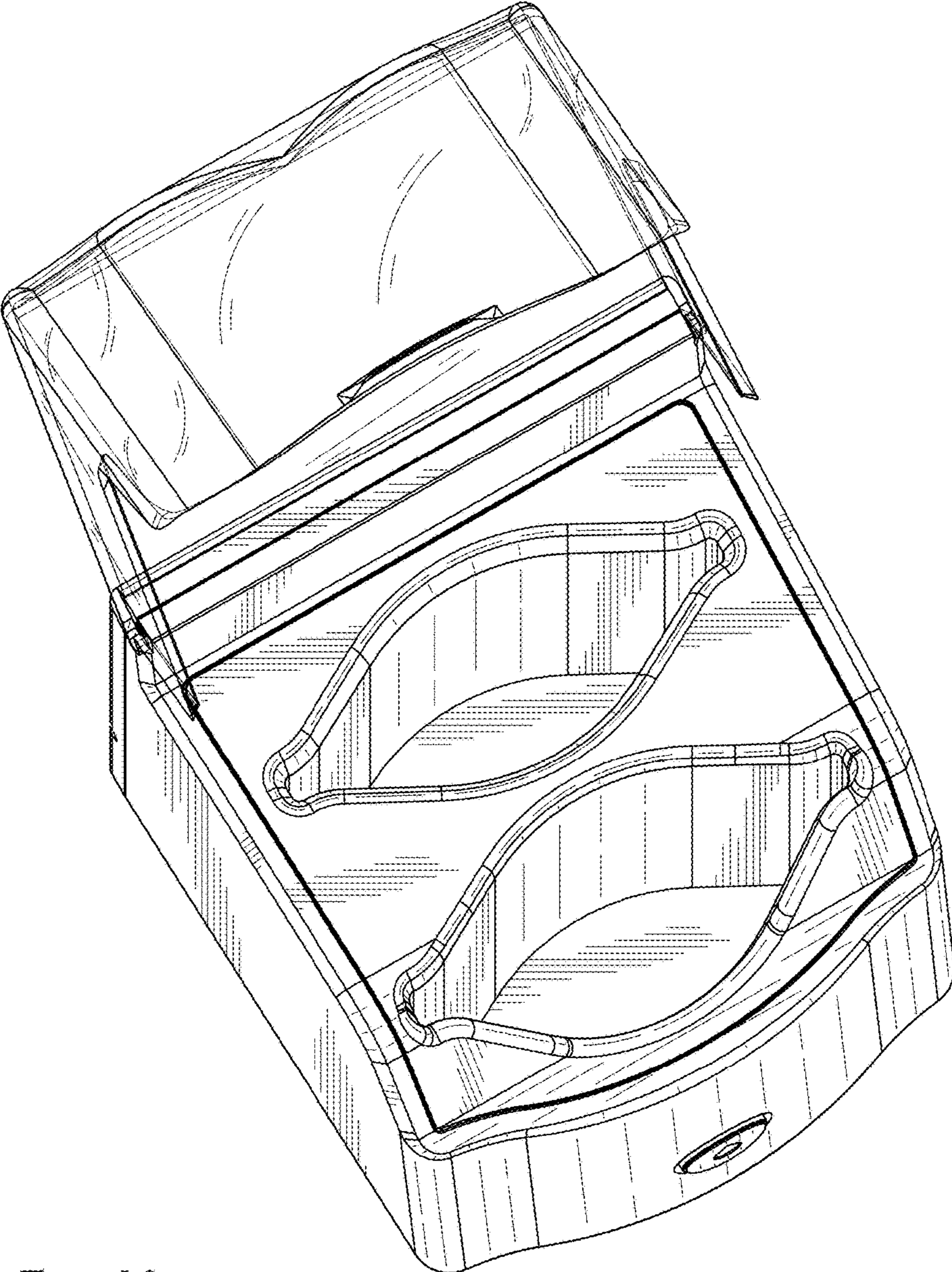


FIG. 10