



US00D839440S

(12) **United States Design Patent** (10) **Patent No.:** **US D839,440 S**
Cashin (45) **Date of Patent:** **** Jan. 29, 2019**

(54) **POCKETED COOLING TOWEL FOR HOLDING ICE**

(71) Applicant: **Thomas Wendell Cashin**, Houston, TX (US)

(72) Inventor: **Thomas Wendell Cashin**, Houston, TX (US)

(**) Term: **15 Years**

(21) Appl. No.: **29/613,911**

(22) Filed: **Aug. 14, 2017**

Related U.S. Application Data

(63) Continuation-in-part of application No. 29/560,737, filed on Apr. 8, 2016, and a continuation-in-part of (Continued)

(51) **LOC (11) Cl.** **24-04**

(52) **U.S. Cl.**
USPC **D24/206; D24/207**

(58) **Field of Classification Search**
USPC **D24/206-208, 189-191; D29/100, 101.2; D2/861-864; D6/596, 608, 597**
(Continued)

(56) **References Cited**

U.S. PATENT DOCUMENTS

4,676,247 A 6/1987 Van Cleve
5,088,487 A 2/1992 Turner et al.
(Continued)

Primary Examiner — Wan Laymon

(74) *Attorney, Agent, or Firm* — Kenneth A. Roody

(57) **CLAIM**

The ornamental design for a pocketed cooling towel for holding ice, as shown and described.

DESCRIPTION

FIG. 1 is a perspective view of a pocketed cooling towel for holding ice showing my new design from the front, top and left hand side;

FIG. 2 is a front elevation view thereof;
FIG. 3 is a rear elevation view thereof;
FIG. 4 is a left side elevation view thereof;
FIG. 5 is a right side elevation view thereof;
FIG. 6 is a top plan view thereof, the bottom plan view being a mirror image of FIG. 6;
FIG. 7 is a perspective view of a second embodiment of the pocketed cooling towel for holding ice showing my new design from the front, top and left hand side, the sole difference being the number of pockets;
FIG. 8 is a front elevation view thereof;
FIG. 9 is a rear elevation view thereof;
FIG. 10 is a left side elevation view thereof;
FIG. 11 is a right side elevation view thereof;
FIG. 12 is a top plan view thereof, the bottom plan view being a mirror image of FIG. 12;
FIG. 13 is a perspective view of a third embodiment of the pocketed cooling towel for holding ice showing my new design from the front, top and left hand side, the sole difference being the number of pockets;
FIG. 14 is a front elevation view thereof;
FIG. 15 is a rear elevation view thereof;
FIG. 16 is a left side elevation view thereof;
FIG. 17 is a right side elevation view thereof;
FIG. 18 is a top plan view thereof, the bottom plan view being a mirror image of FIG. 18;
FIG. 19 is a perspective view of a fourth embodiment of the pocketed cooling towel for holding ice showing my new design from the front, top and left hand side, the sole difference being the number of pockets;
FIG. 20 is a front elevation view thereof;
FIG. 21 is a rear elevation view thereof;
FIG. 22 is a left side elevation view thereof;
FIG. 23 is a right side elevation view thereof;
FIG. 24 is a top plan view thereof, the bottom plan view being a mirror image of FIG. 24;
FIG. 25 is a perspective view of a fifth embodiment of the pocketed cooling towel for holding ice showing my new design from the front, top and left hand side, the sole difference being the number of pockets;
FIG. 26 is a front elevation view thereof;
FIG. 27 is a rear elevation view thereof;
FIG. 28 is a left side elevation view thereof;
FIG. 29 is a right side elevation view thereof; and,

(Continued)

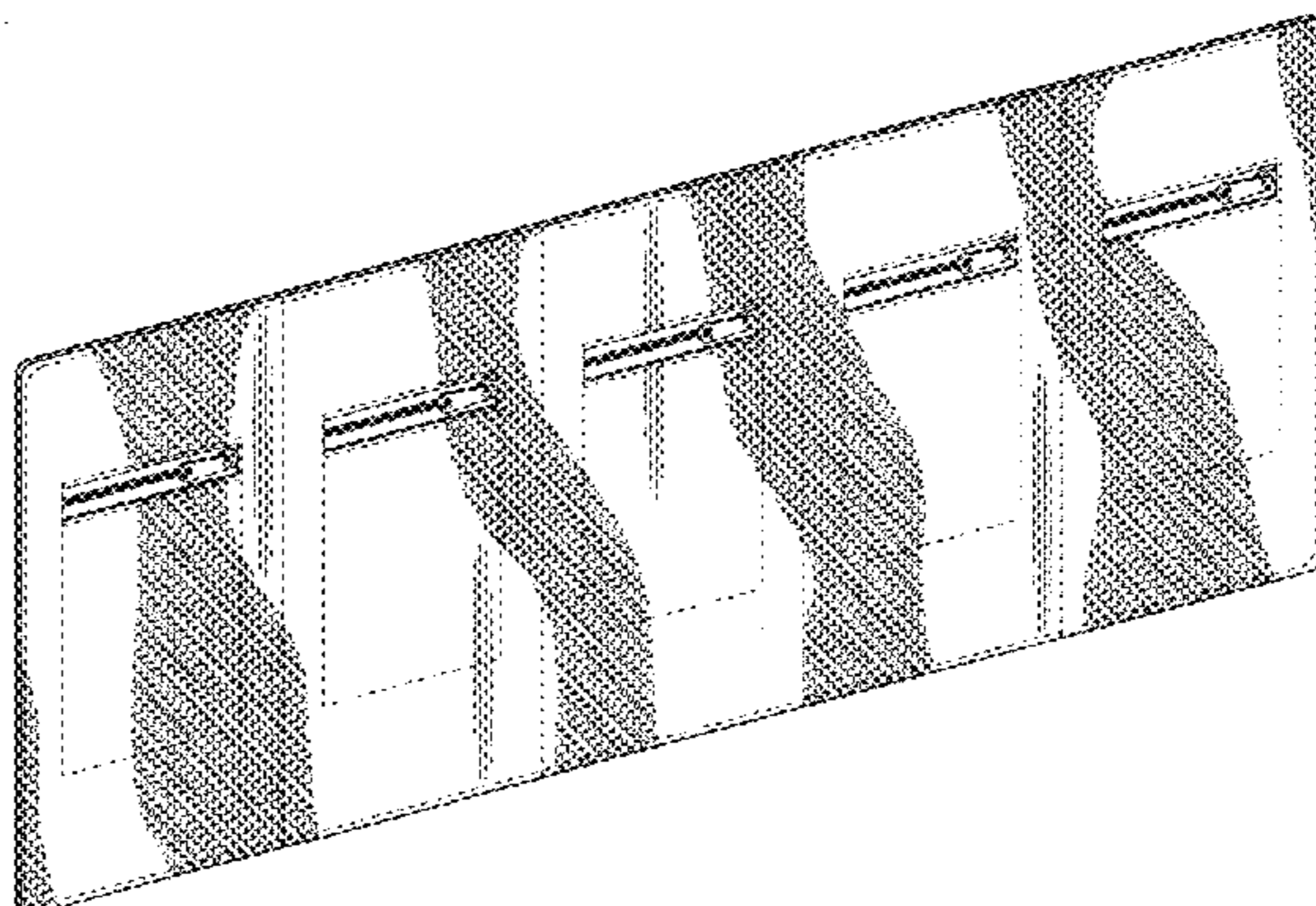
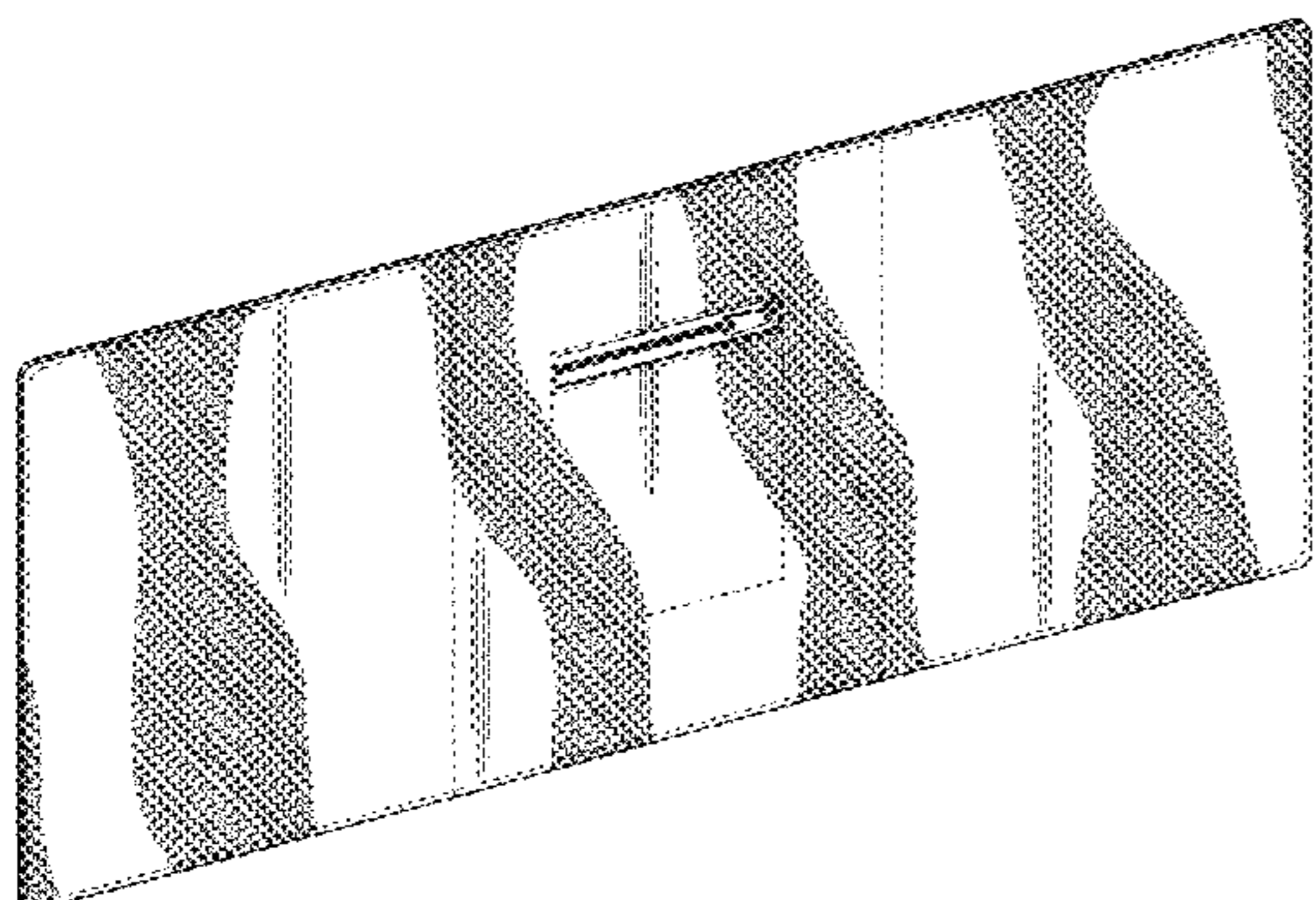


FIG. 30 is a top plan view thereof, the bottom plan view being a mirror image of FIG. 30.

The fragmentary pattern of small circles shown in the drawings is intended to represent PVA fabric wicking material and is understood to extend uniformly across the surfaces represented.

The dashed lines in the drawings represent stitching and form no part of the claimed design.

1 Claim, 20 Drawing Sheets

Related U.S. Application Data

application No. 29/555,020, filed on Feb. 17, 2016, and a continuation-in-part of application No. 29/551,342, filed on Jan. 12, 2016, and a continuation-in-part of application No. 29/551,204, filed on Jan. 11, 2016.

(58) **Field of Classification Search**

CPC A61F 7/02; A61F 7/08; A61F 7/10; A61F 7/103; A61F 7/108; A61F 7/0085; A61F 7/0241; A61F 7/086; A61F 2007/0001; A61F 2007/0022; A61F 2007/0023; A61F 2007/0024; A61F 2007/0025; A61F 2007/0026; A61F 2007/0027; A61F 2007/0029; A61F 2007/003; A61F 2007/0031; A61F 2007/0032; A61F

2007/0034; A61F 2007/0035; A61F 2007/0036; A61F 2007/0039; A61F 2007/0041; A61F 2007/0043; A61F 2007/0045; A61F 2007/023; A61F 2007/0238; A61F 2007/0277; A61F 2007/105; A61F 2007/108; A47G 9/0215; A47G 9/1036

See application file for complete search history.

(56)

References Cited

U.S. PATENT DOCUMENTS

5,148,804 A	9/1992	Hill et al.	
5,265,669 A	11/1993	Schneider	
5,304,216 A *	4/1994	Wallace	A61F 7/0241 607/108
D348,517 S	7/1994	McDermott	
6,656,210 B1 *	12/2003	Plewes	A61F 7/02 128/DIG. 15
6,936,018 B2	8/2005	Chalek	
D559,609 S	1/2008	Gonzalez	
D630,335 S	1/2011	Wise et al.	
D650,085 S	12/2011	Rucker et al.	
D671,225 S	11/2012	Higley	
D763,458 S *	8/2016	Mangrum	D24/206
D821,597 S *	6/2018	Martinez	D24/207
2004/0210287 A1	10/2004	Greene	
2005/0049661 A1	3/2005	Koffroth	
2014/0180369 A1	6/2014	Oh et al.	

* cited by examiner

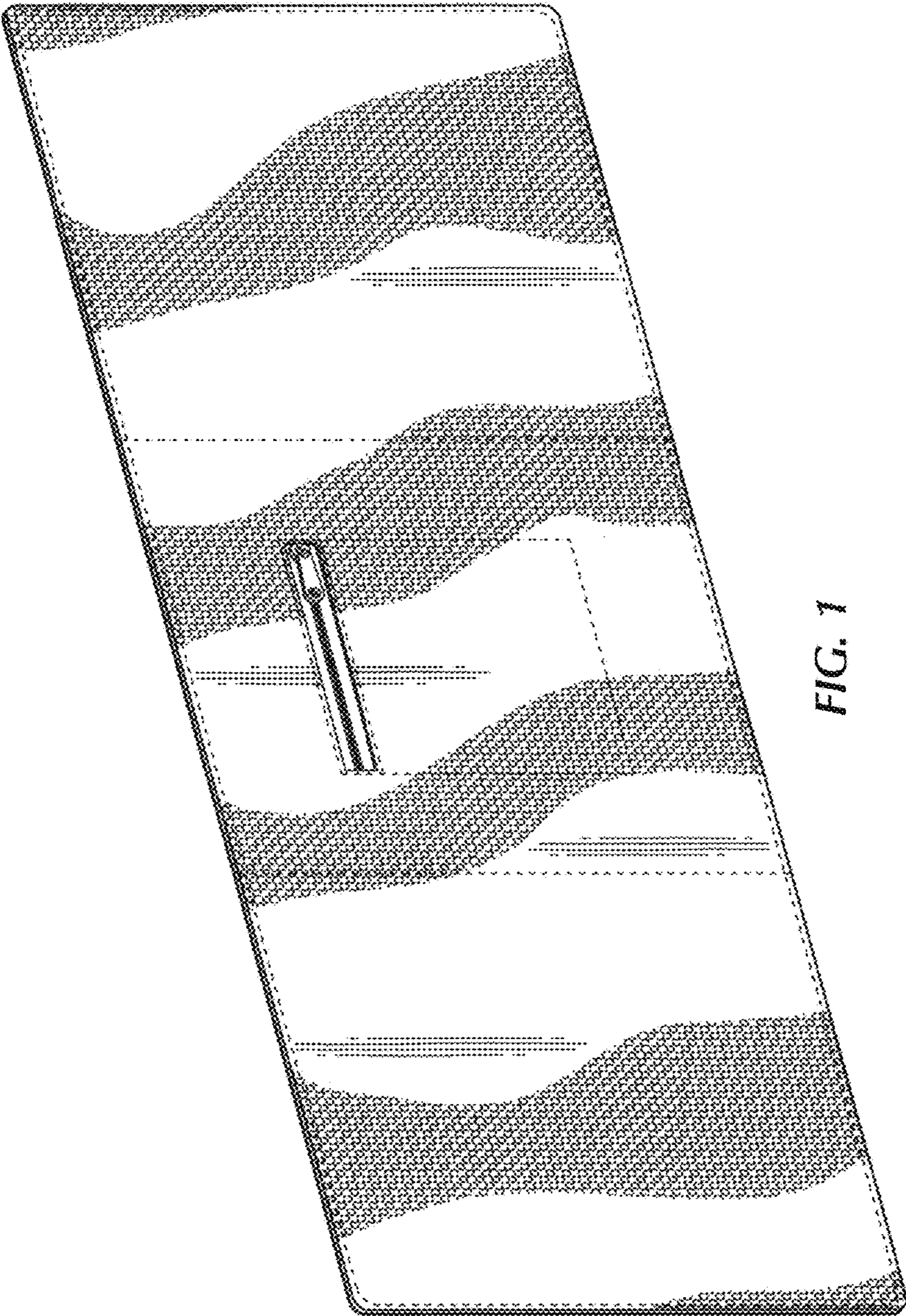


FIG. 1

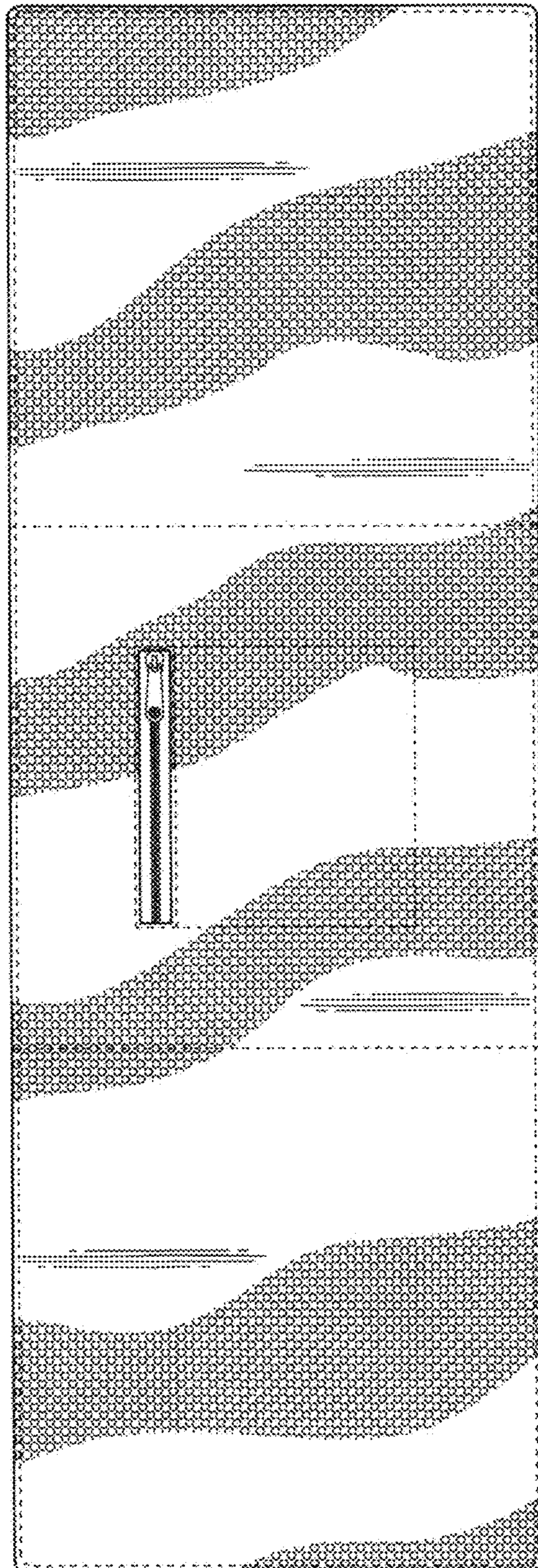


FIG. 2

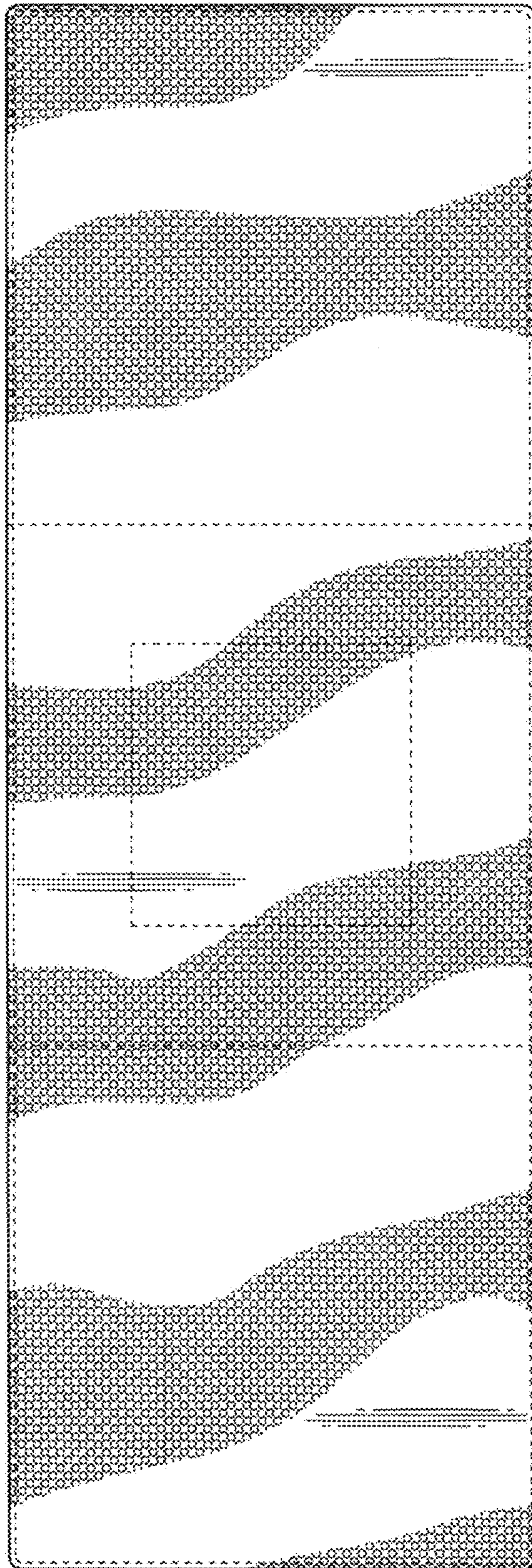


FIG. 3

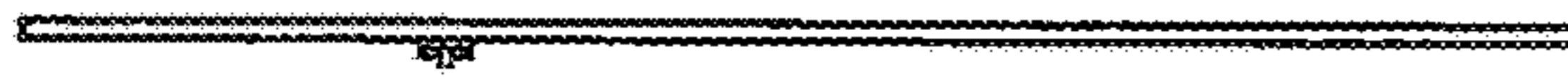


FIG. 4

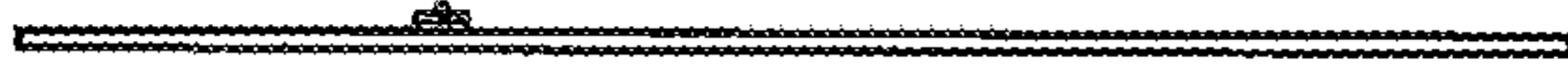


FIG. 5

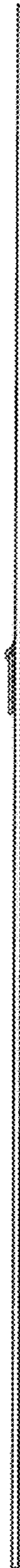


FIG. 6

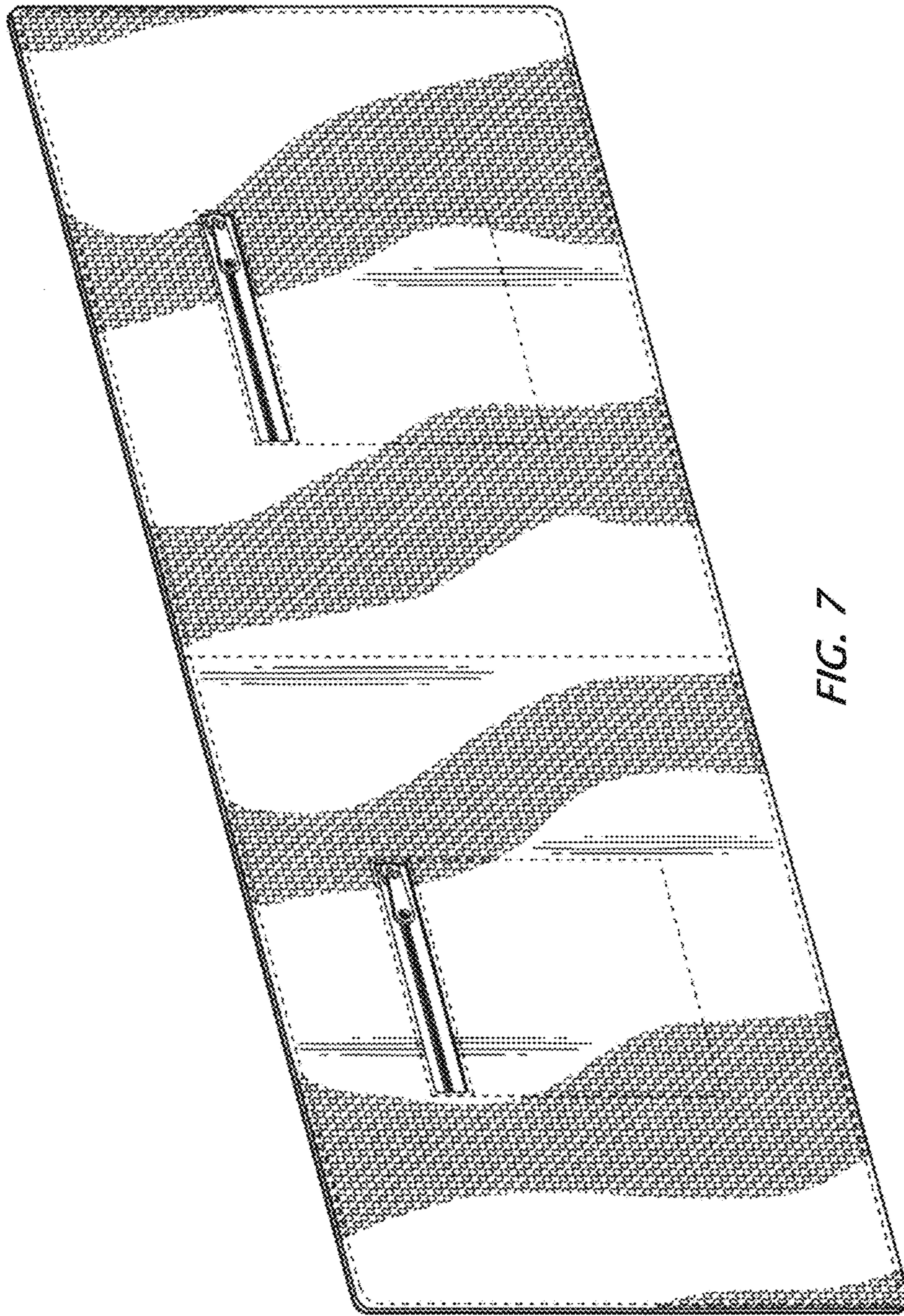


FIG. 7

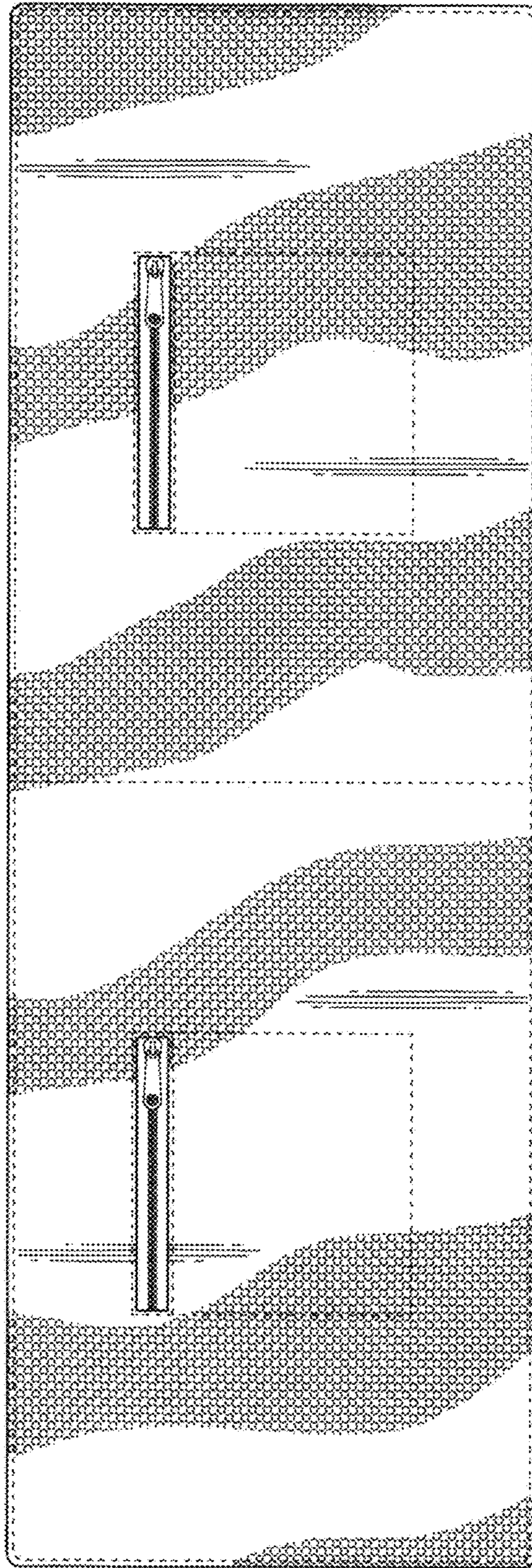


FIG. 8

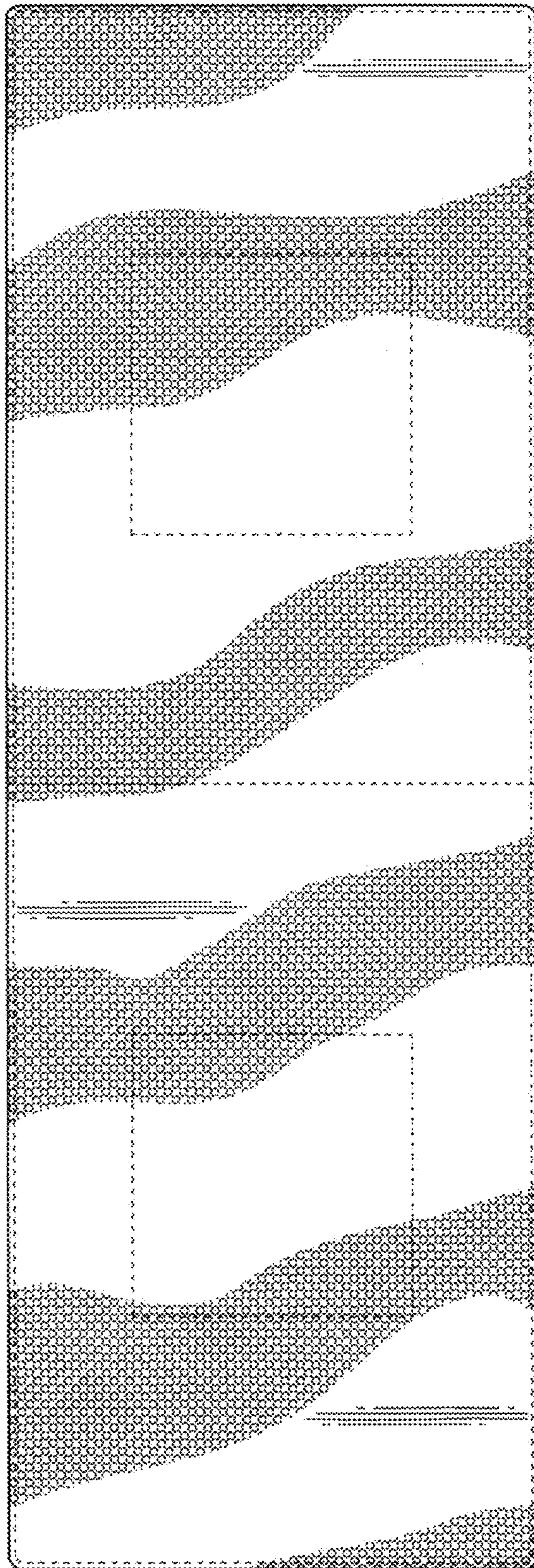


FIG. 9



FIG. 10

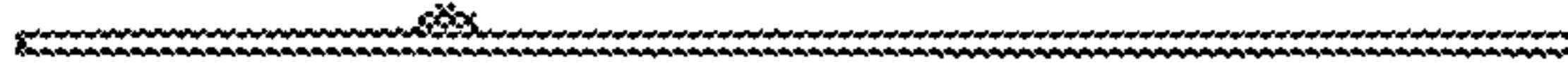


FIG. 11

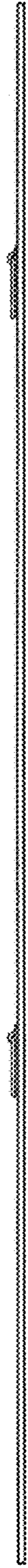


FIG. 12

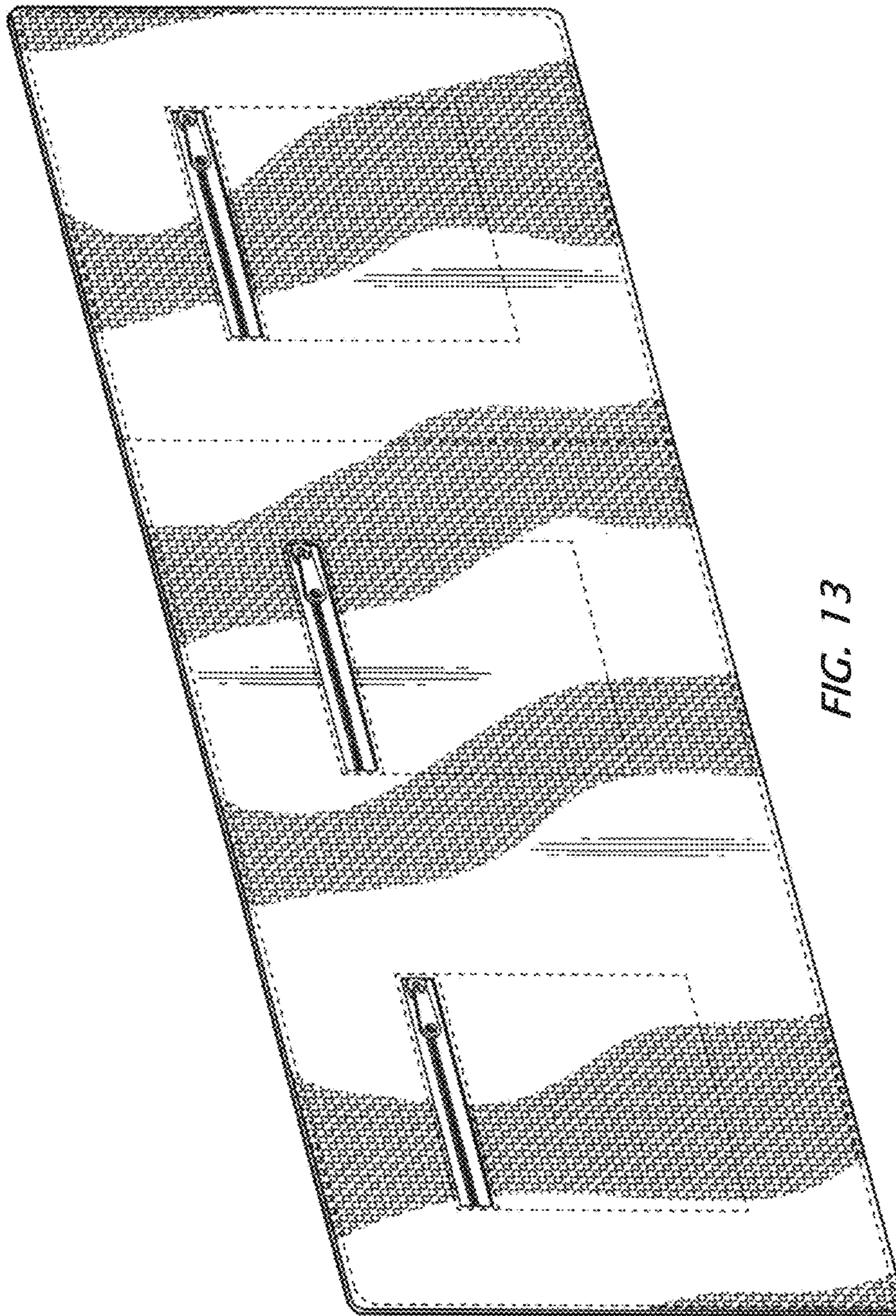


FIG. 13

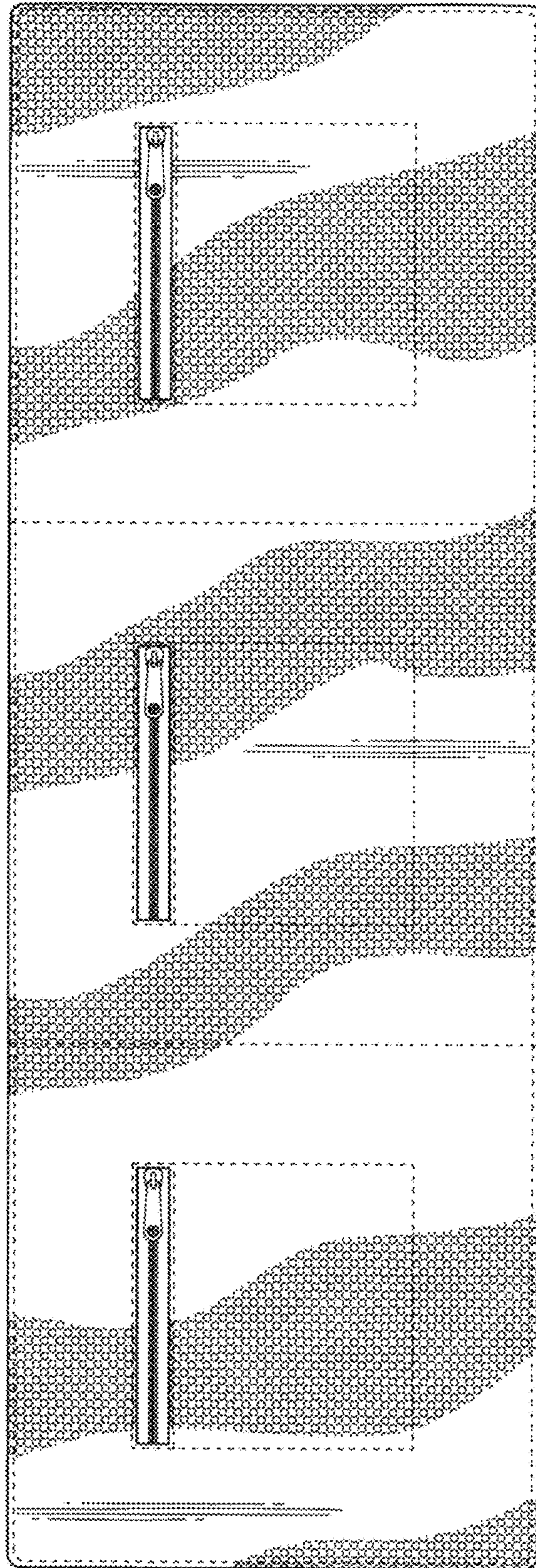


FIG. 14

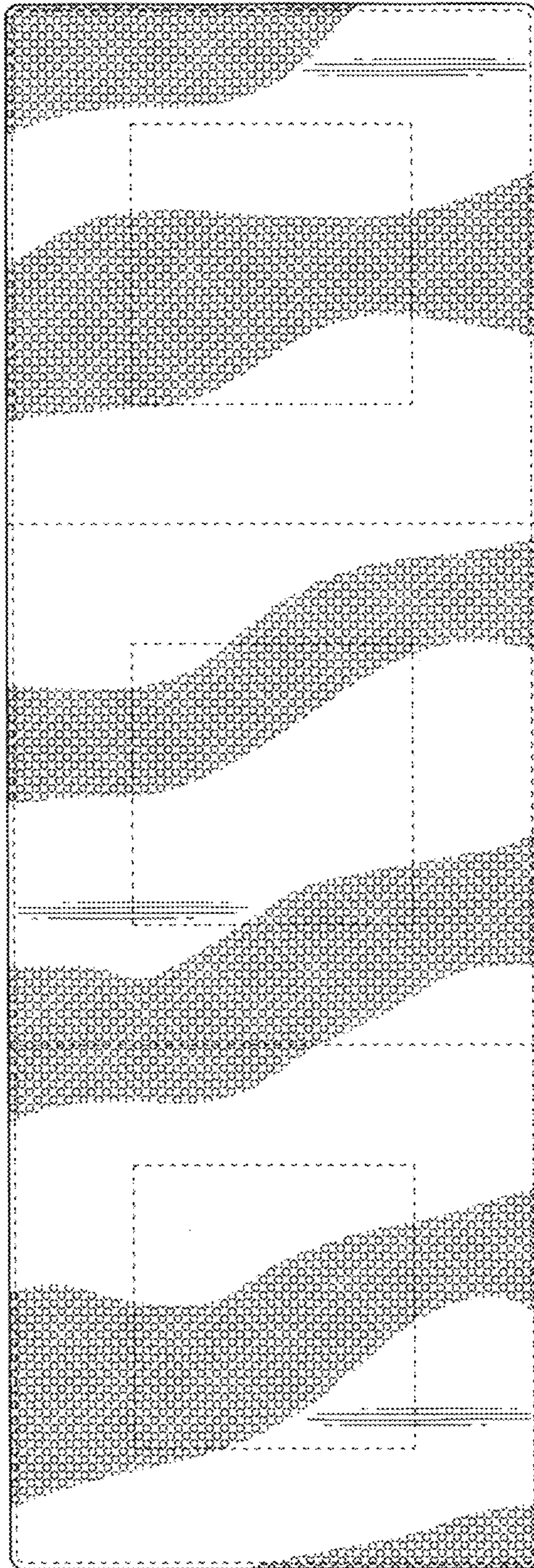


FIG. 15

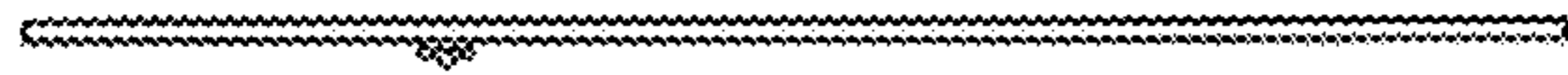


FIG. 16

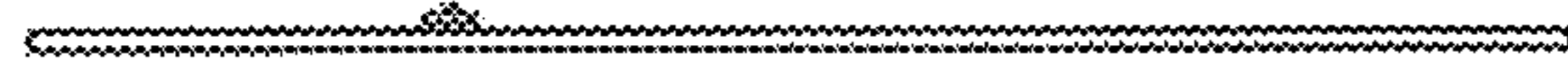


FIG. 17

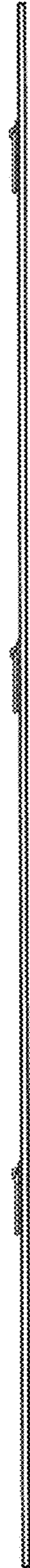


FIG. 18

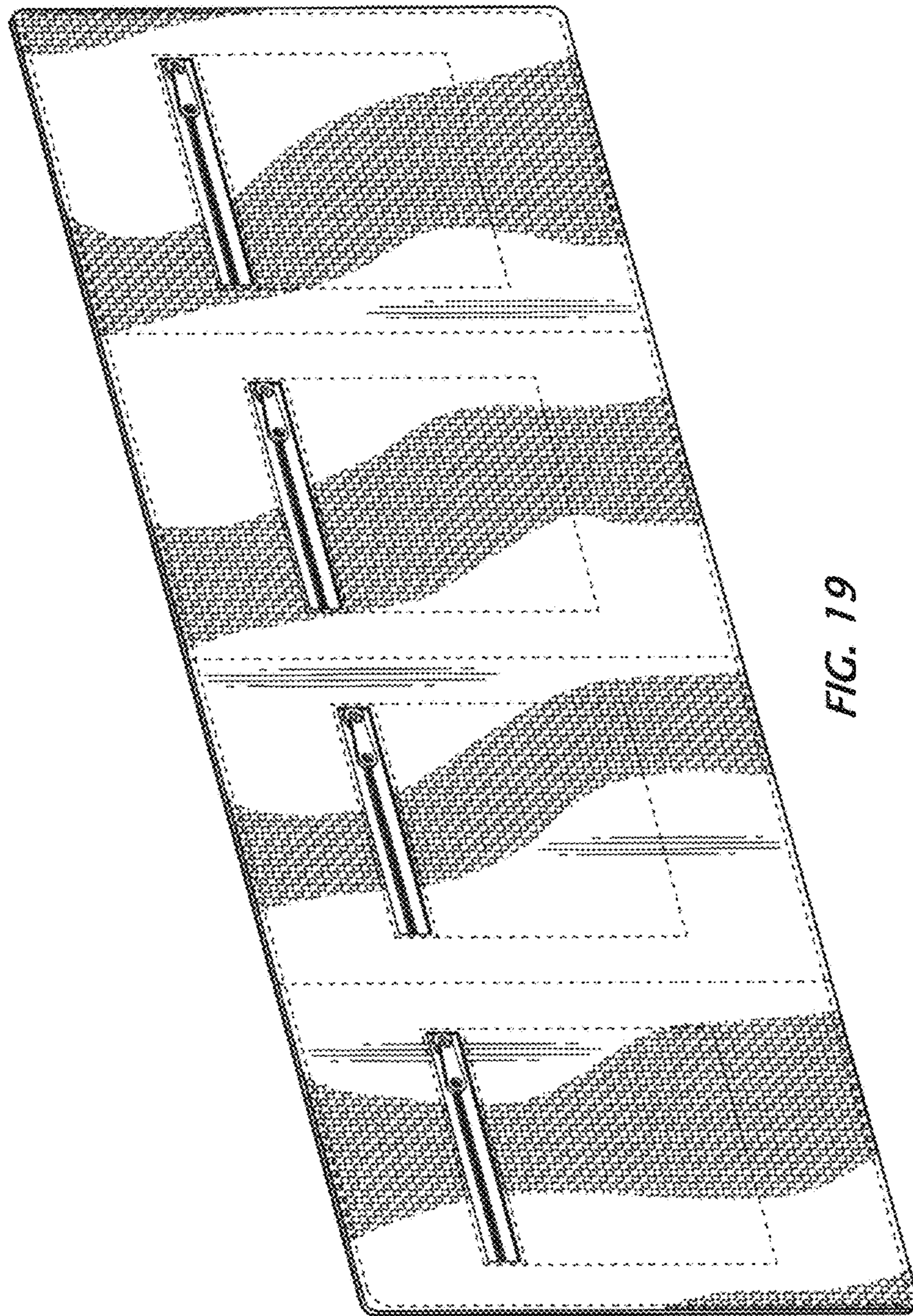


FIG. 19

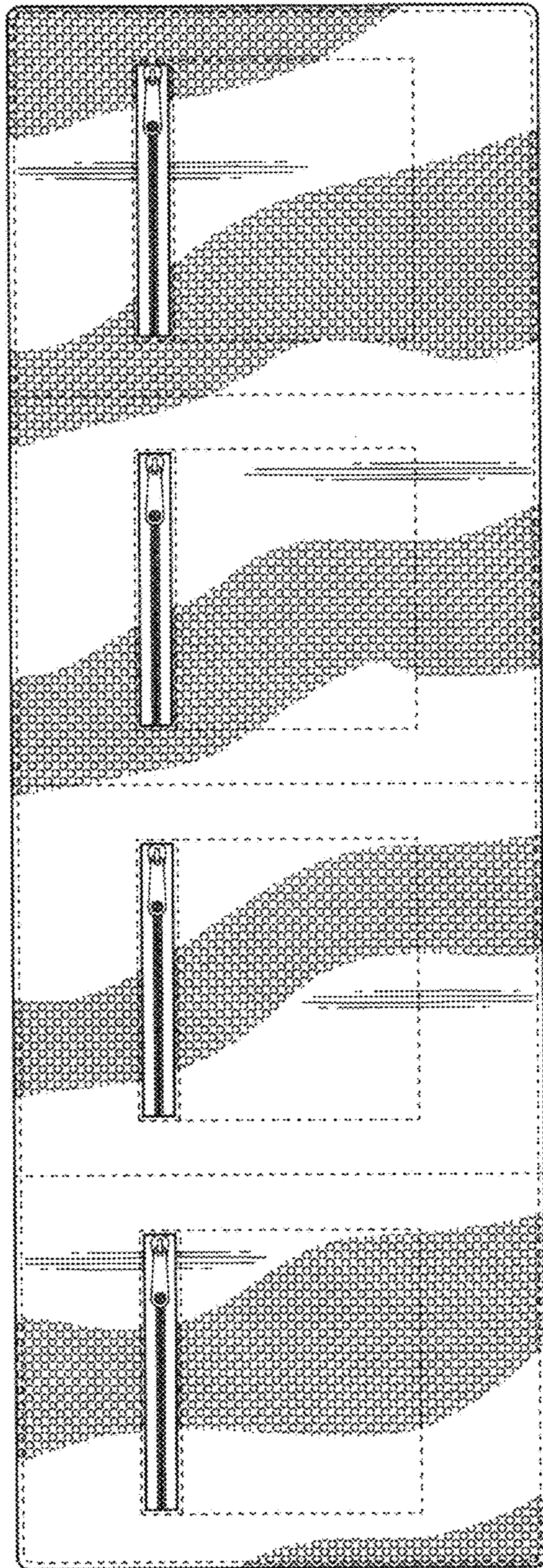


FIG. 20

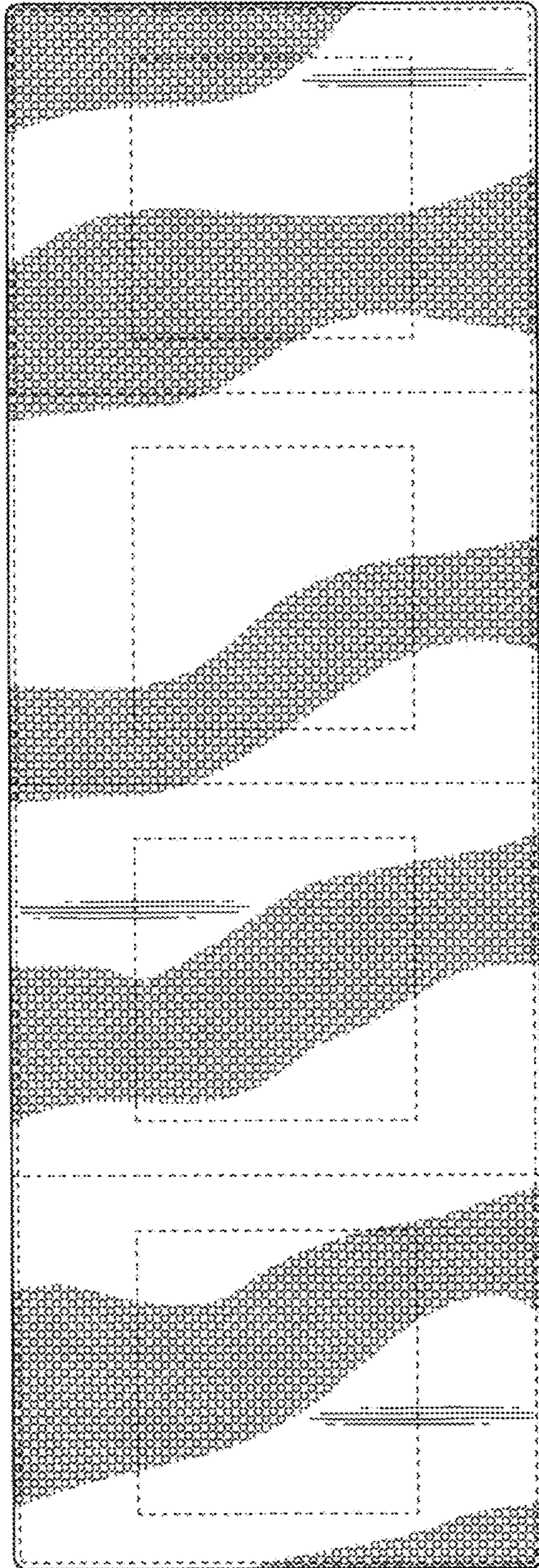


FIG. 21

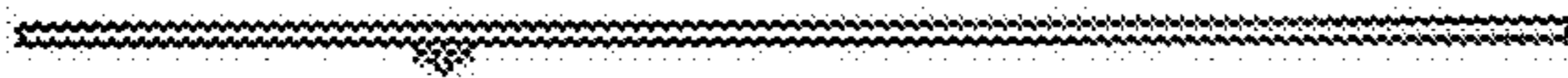


FIG. 22

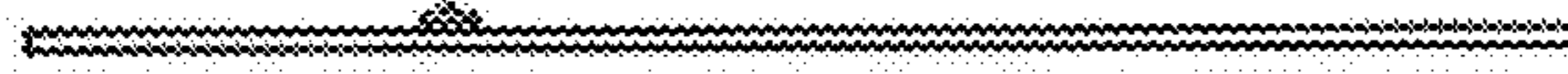


FIG. 23



FIG. 24

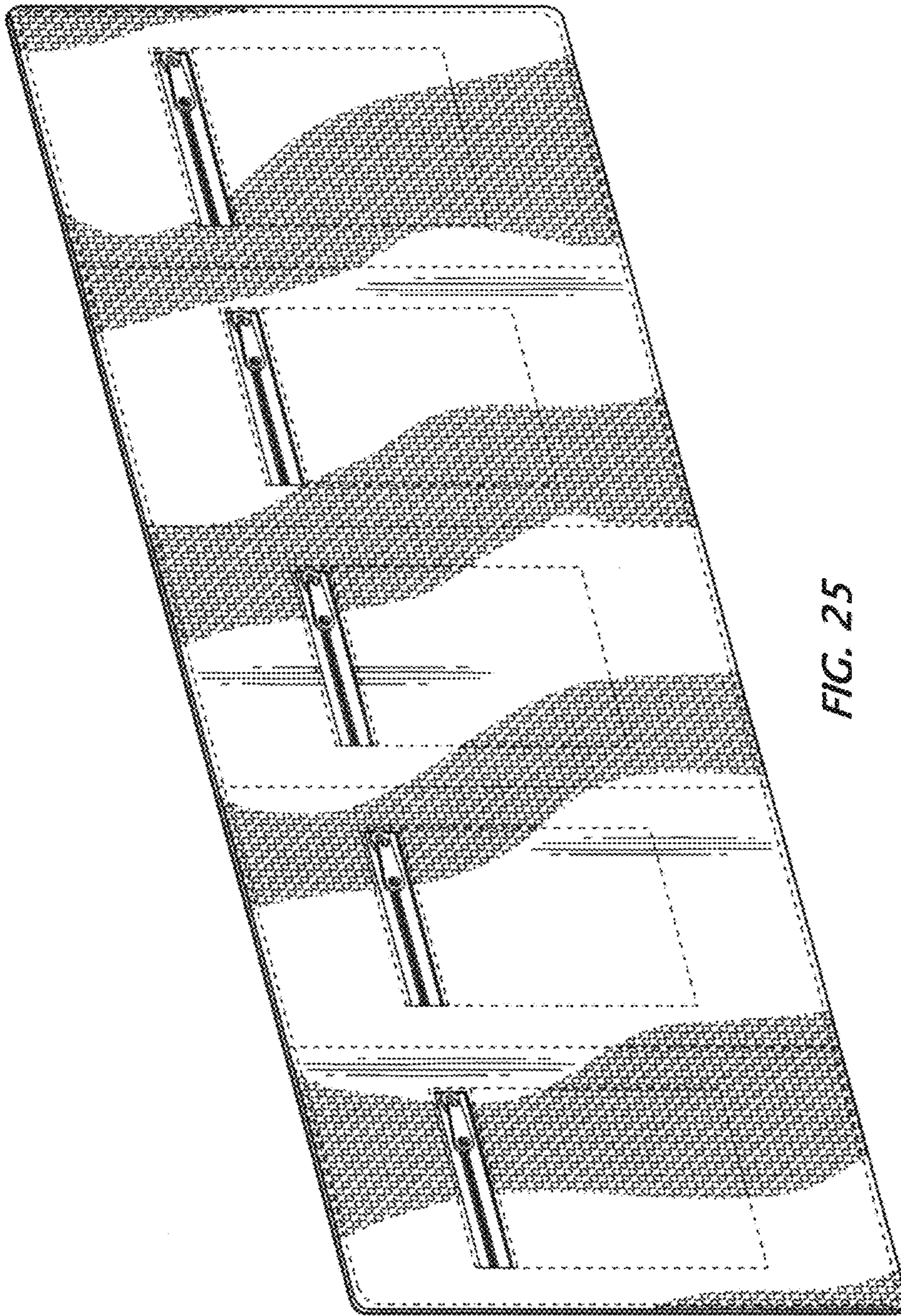


FIG. 25

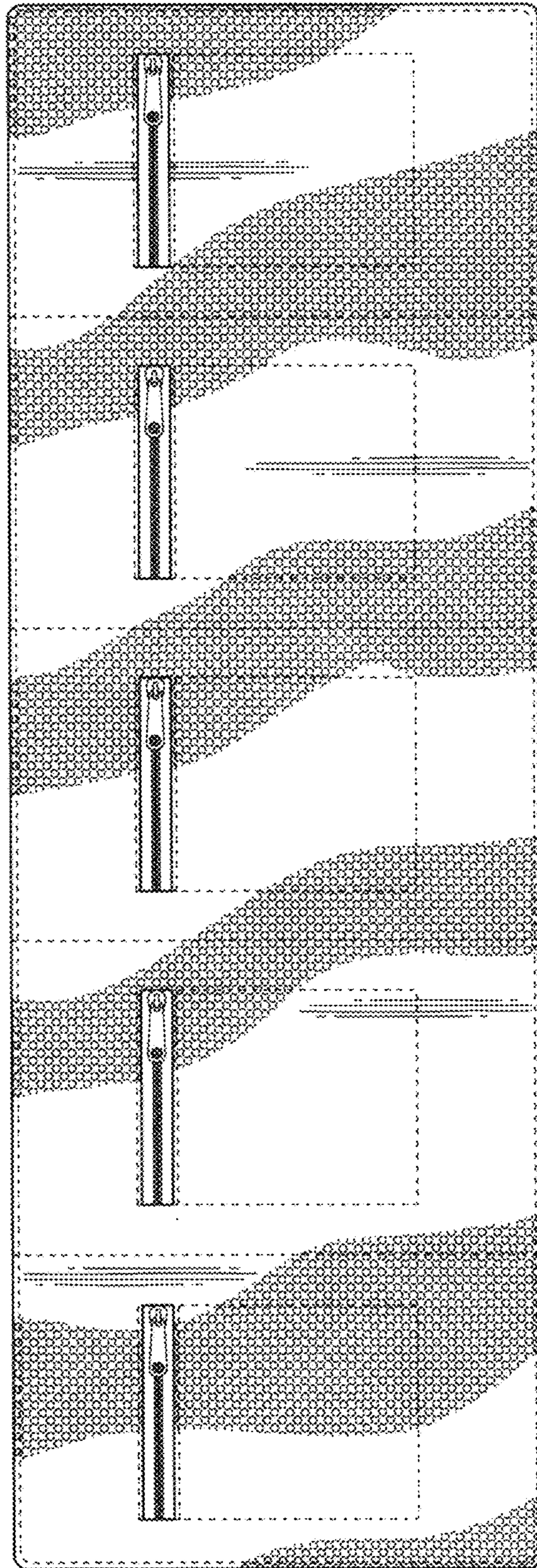


FIG. 26

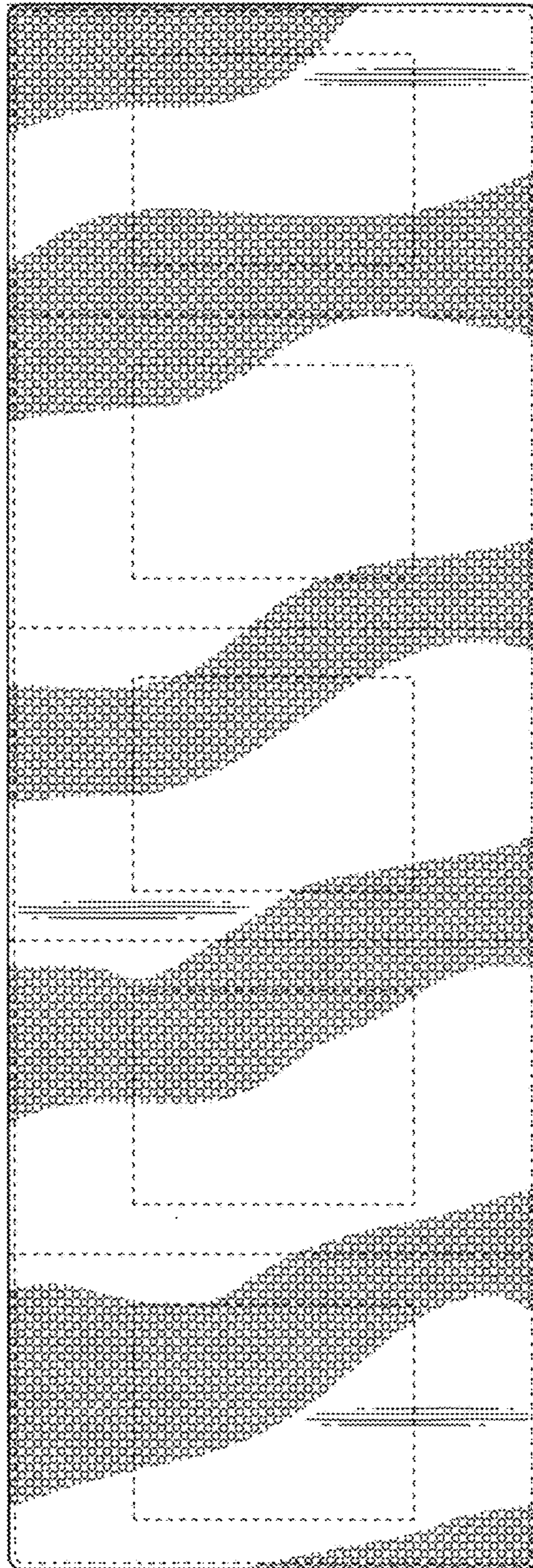


FIG. 27

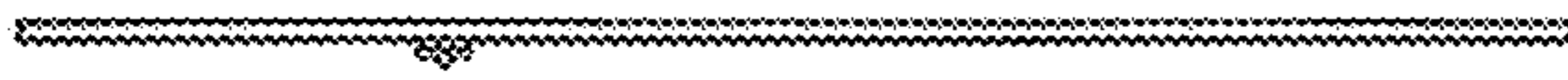


FIG. 29



FIG. 28



FIG. 30