



US00D839437S

(12) **United States Design Patent**
Taub et al.

(10) **Patent No.:** **US D839,437 S**
(45) **Date of Patent:** **** Jan. 29, 2019**

(54) **BIOPSY BOX**

(71) Applicants: **Aryeh Benjamin Taub**, Toronto (CA);
Sean Adrian Conroy, Toronto (CA);
Stephen Abellera, Toronto (CA)

(72) Inventors: **Aryeh Benjamin Taub**, Toronto (CA);
Sean Adrian Conroy, Toronto (CA);
Stephen Abellera, Toronto (CA)

(**) Term: **15 Years**

(21) Appl. No.: **29/577,728**

(22) Filed: **Sep. 15, 2016**

(51) **LOC (11) Cl.** **24-01**

(52) **U.S. Cl.**

USPC **D24/185**

(58) **Field of Classification Search**

USPC D24/107, 185, 186, 216, 217, 219, 220,
D24/223, 224, 225, 226, 229, 231, 232,
D24/234, 233, 169; D10/81, 97

CPC G01N 33/4833; G01N 2035/0441; G01N
2035/00326; G01N 2035/00306; G01N
2015/0065; G01N 2015/1006

See application file for complete search history.

(56) **References Cited**

U.S. PATENT DOCUMENTS

D319,307 S * 8/1991 Sakagami D10/81
D447,567 S * 9/2001 Murphy D24/172
D652,520 S * 1/2012 Sabaris Vilas D24/185
D655,013 S * 2/2012 Sabaris Vilas D24/185
D722,178 S * 2/2015 Oonuma D10/81
D735,868 S * 8/2015 Mareguddi D24/185
D739,537 S * 9/2015 Hacker D24/185
D750,787 S * 3/2016 Asad D24/185
D752,232 S * 3/2016 Hacker D24/185
D792,974 S * 7/2017 Roth D24/185
9,709,468 B2 * 7/2017 Ebi G01N 1/28

D800,000 S * 10/2017 Barton D10/81
D802,149 S * 11/2017 Hacker D24/185
2014/0297200 A1 * 10/2014 Ebi G01N 33/4833
702/21

OTHER PUBLICATIONS

Hologic launches Brevera breast biopsy system in the U.S., posted at dotmed.com, posted Sep. 12, 2017, online, site visited Jan. 5, 2018, available on internet, URL:https://www.dotmed.com/news/story/39050.*

Precision biopsy, posted at precisionbiopsy.com, no posting date given, online, site visited Jan. 5, 2018, available on internet, URL:http://precisionbiopsy.com/patients/claricore-biopsy-system/*

* cited by examiner

Primary Examiner — Anhdao Doan

Assistant Examiner — Mary Shannon Malley

(74) *Attorney, Agent, or Firm* — Perry + Currier Inc.

(57) **CLAIM**

We claim the ornamental design for a biopsy box, as shown and described.

DESCRIPTION

FIG. 1 is a front perspective view of the biopsy box, showing our new design;

FIG. 2 is a front elevation view thereof;

FIG. 3 is a rear elevation view thereof;

FIG. 4 is a top plan view thereof;

FIG. 5 is a bottom plan view thereof;

FIG. 6 is a left side elevation view thereof;

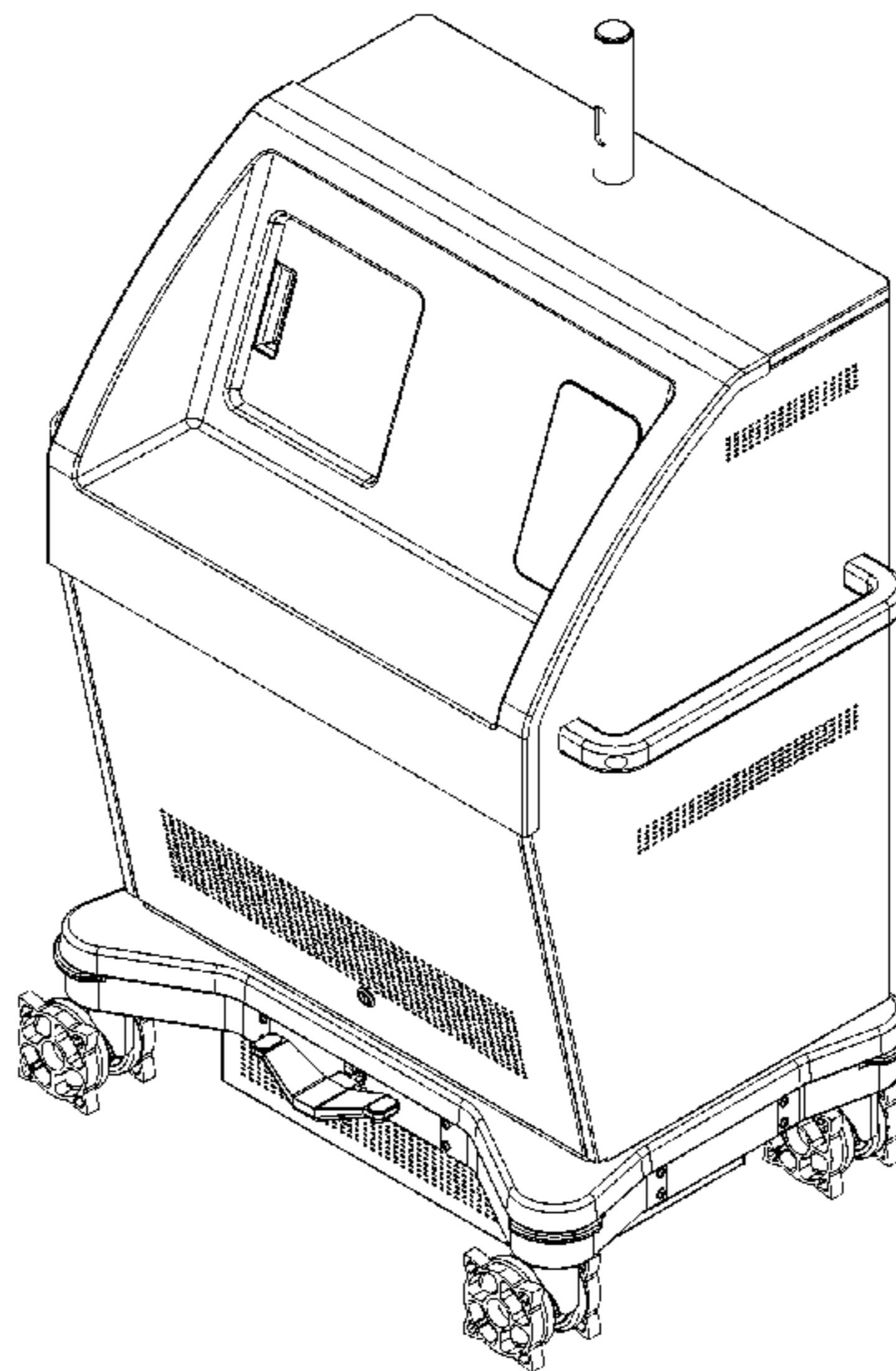
FIG. 7 is a right side elevation view thereof; and,

FIG. 8 is a second front perspective view thereof, shown with environment.

The broken lines showing a monitor represent environmental subject matter that forms no part of the claimed design.

All other broken lines show portions of the biopsy box that form no part of the claimed design.

1 Claim, 8 Drawing Sheets



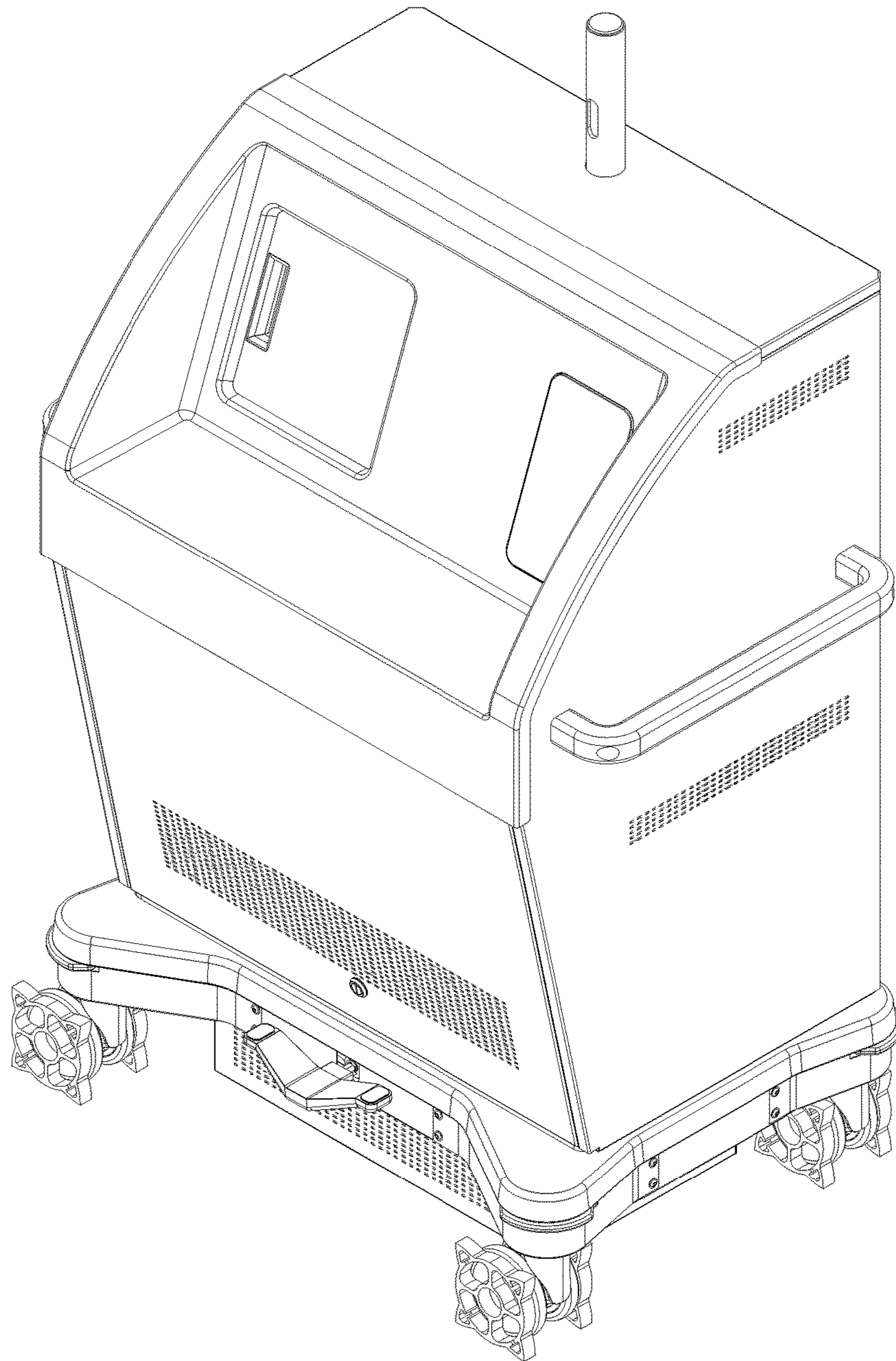


FIG. 1

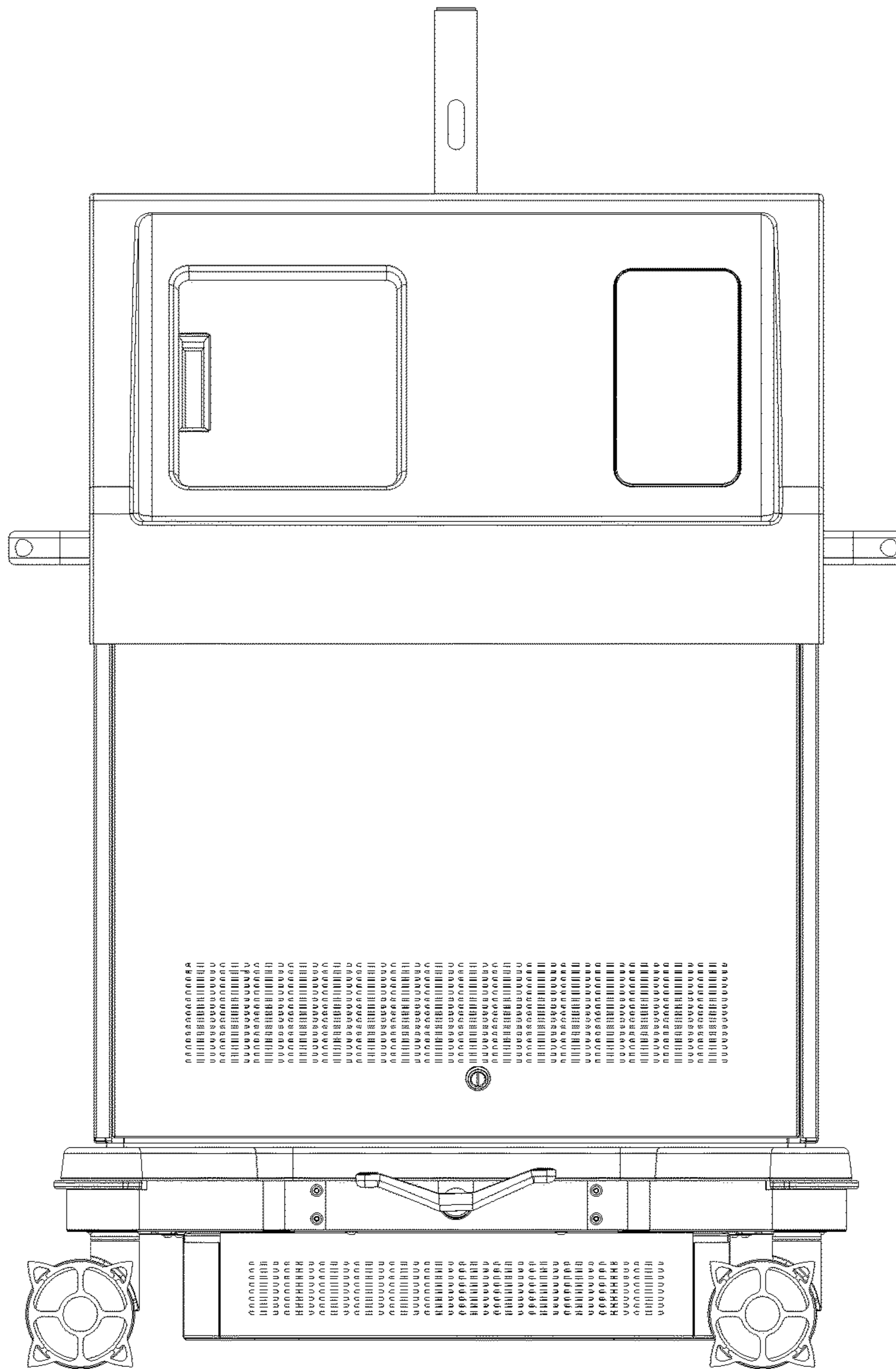


FIG. 2

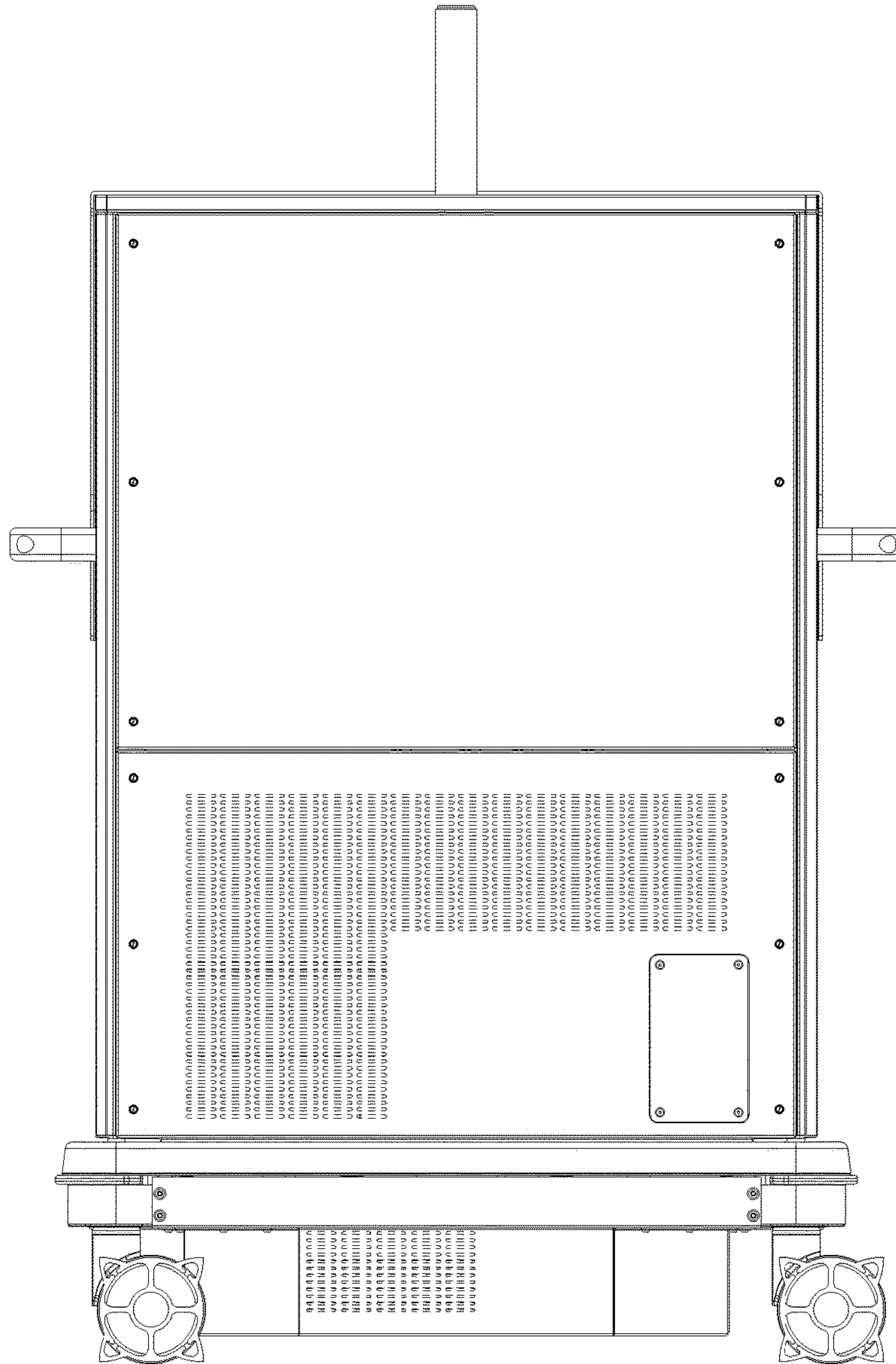


FIG. 3

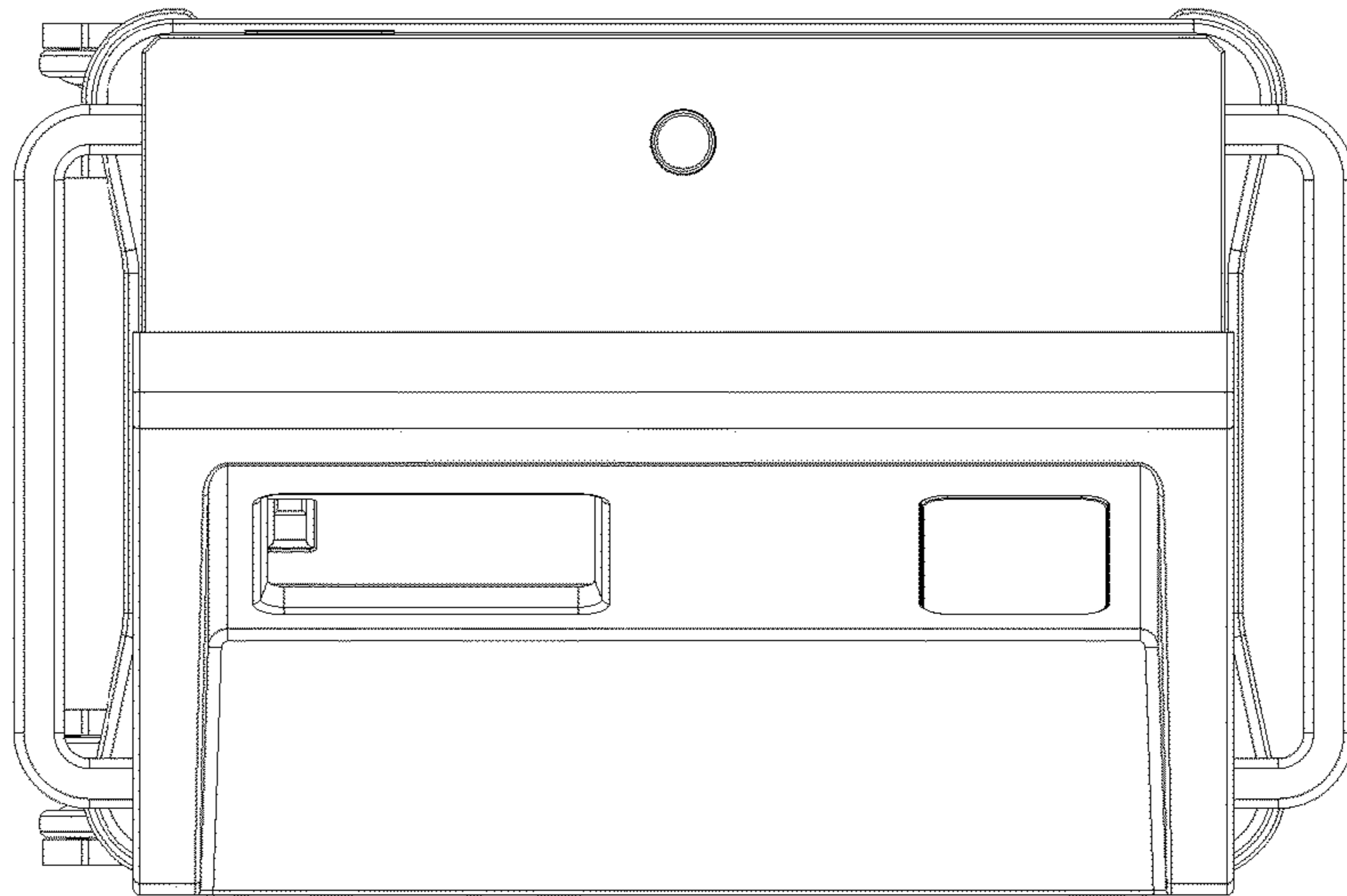


FIG. 4

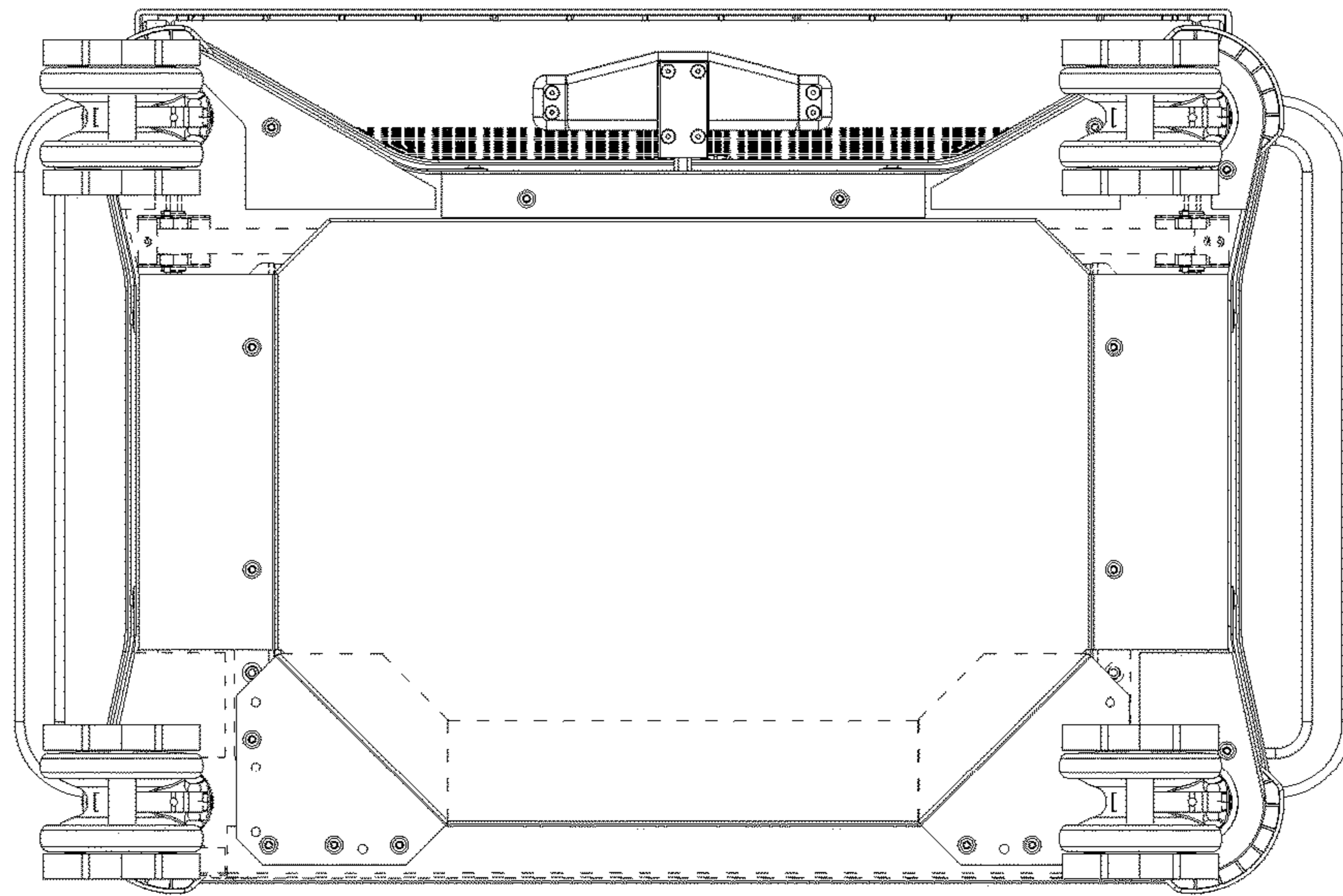


FIG. 5

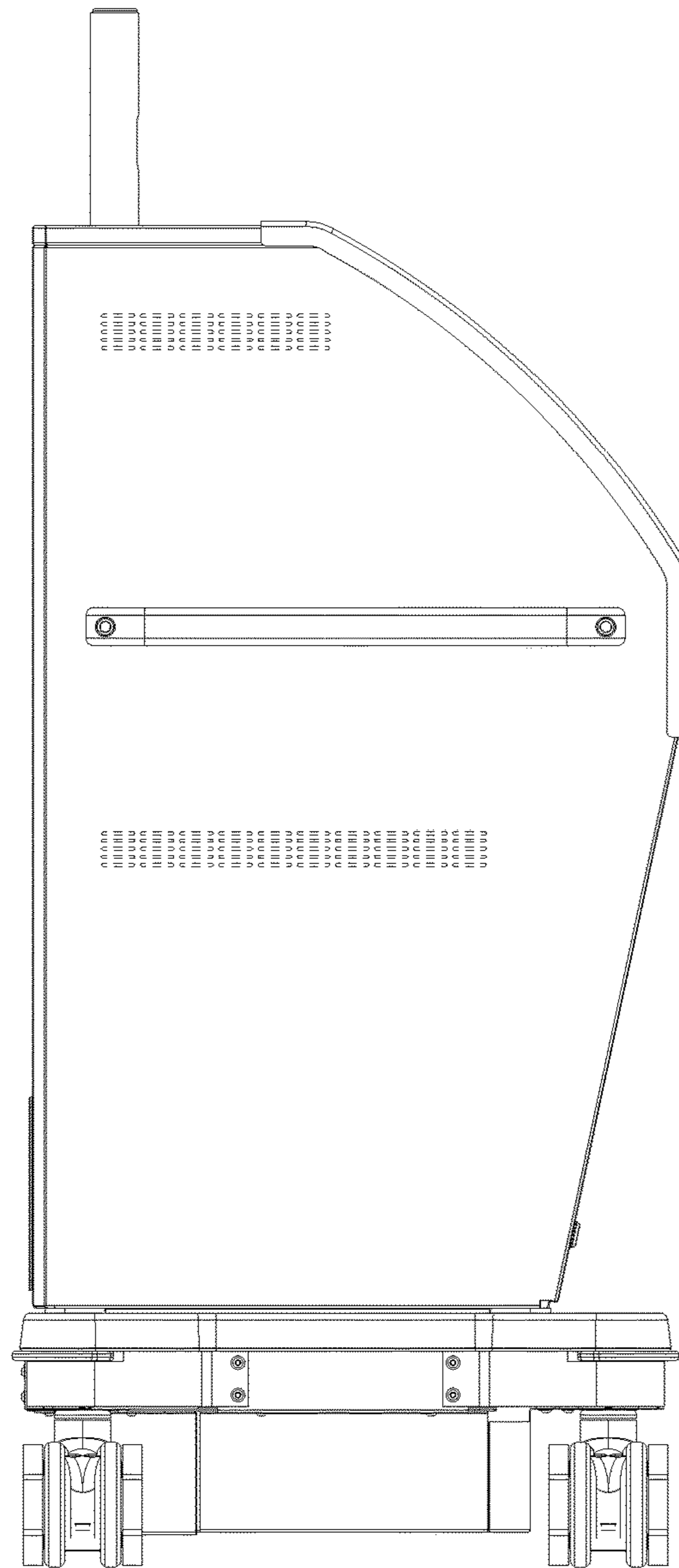


FIG. 6

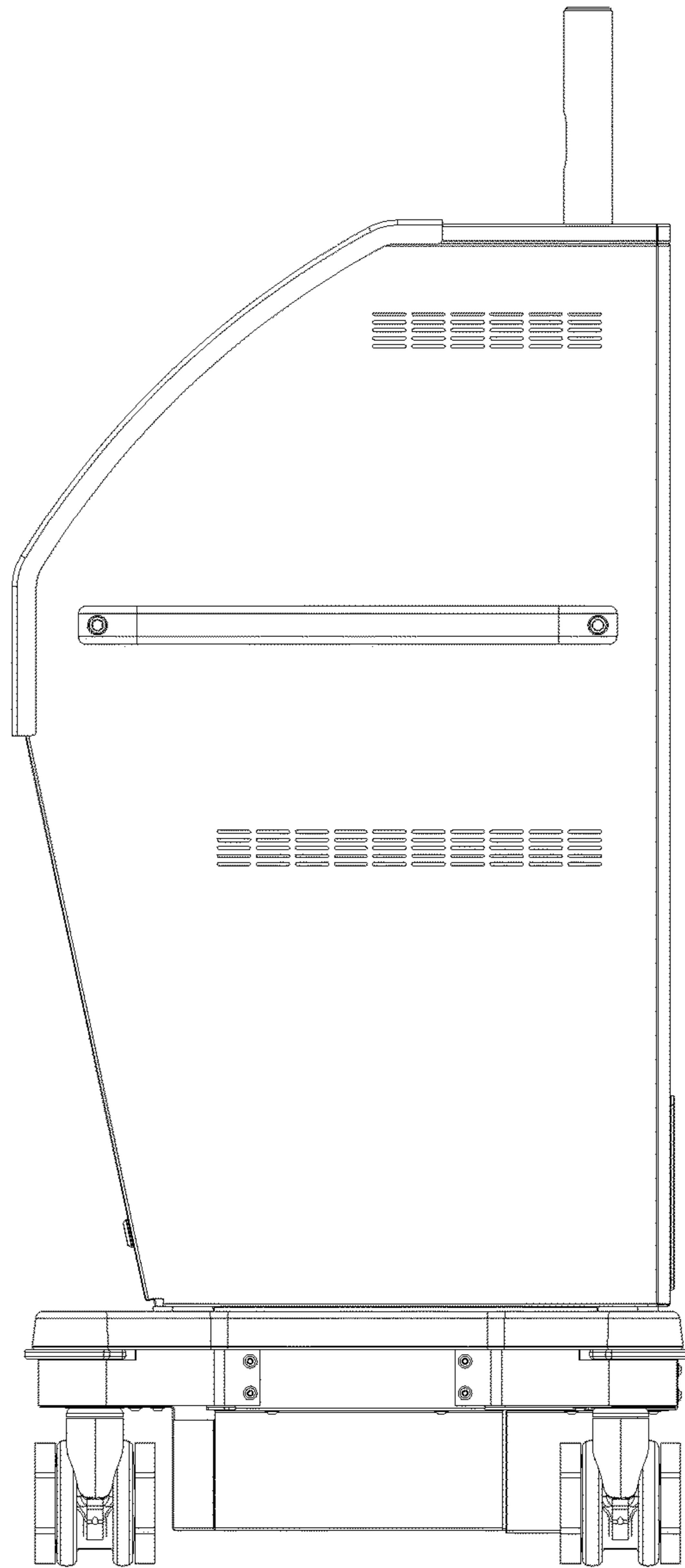


FIG. 7

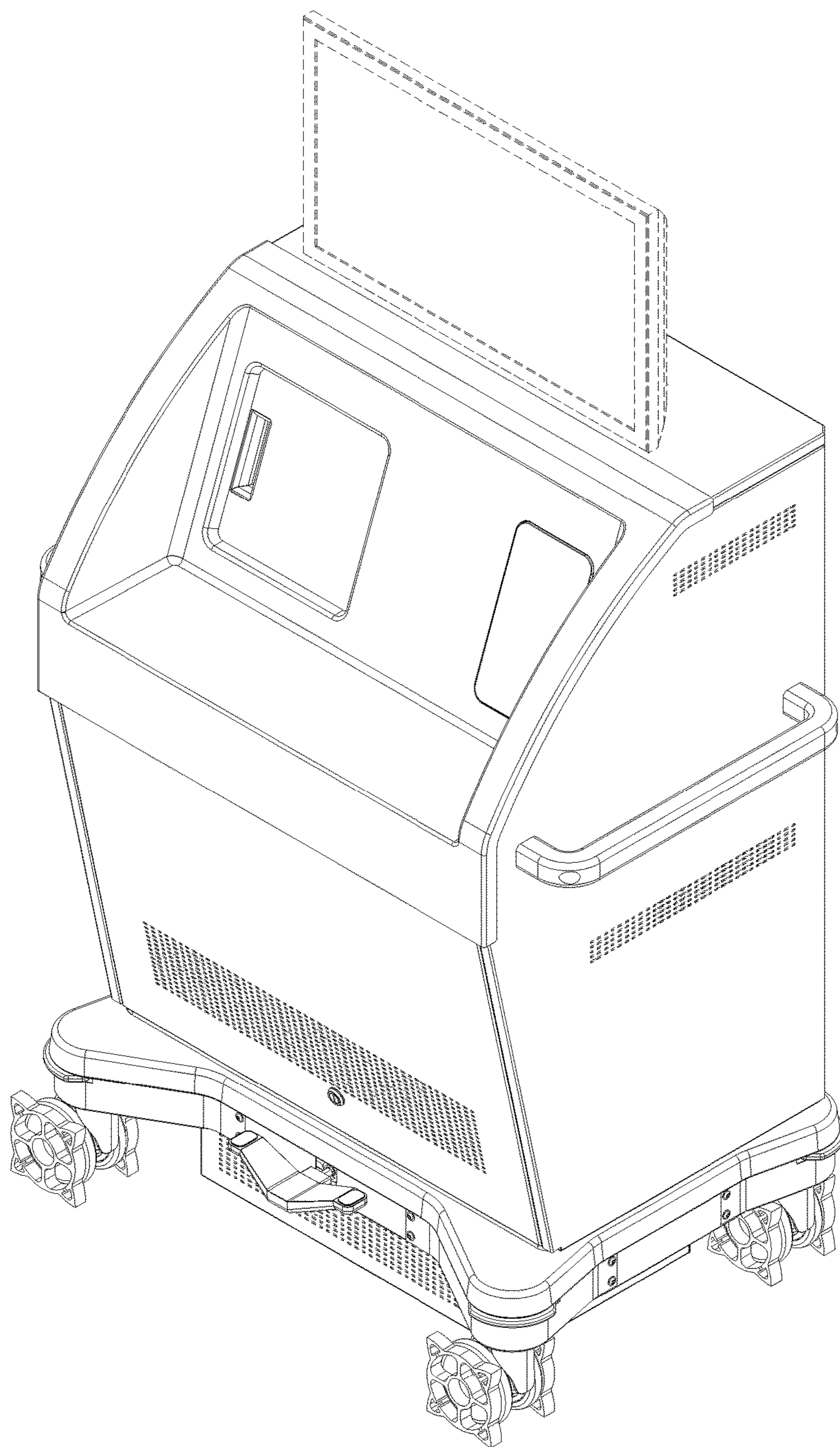


FIG. 8