

US00D839436S

(12) **United States Design Patent**
Prange

(10) **Patent No.:** **US D839,436 S**

(45) **Date of Patent:** **** Jan. 29, 2019**

(54) **PROPHY CUP SHIELD ASSEMBLY**

(71) Applicant: **Young Innovations, Inc.**, Earth City, MO (US)

(72) Inventor: **Brian Prange**, Earth City, MO (US)

(73) Assignee: **Young Innovations, Inc.**, Earth City, MO (US)

(**) Term: **15 Years**

(21) Appl. No.: **29/572,905**

(22) Filed: **Aug. 1, 2016**

(51) **LOC (11) Cl.** **13-03**

(52) **U.S. Cl.**
USPC **D24/184**

(58) **Field of Classification Search**
USPC D24/127, 152, 156, 176, 184
CPC A61C 1/12; A61C 1/16; A61C 17/005;
B29C 45/006; B29C 65/08; B29C 65/48;
B29C 66/712; B29K 2021/003; B29K
2023/06; B29K 2069/00; B29K 2083/005;
B29K 2995/007; B29L 2031/753
See application file for complete search history.

(56) **References Cited**

U.S. PATENT DOCUMENTS

3,082,525 A * 3/1963 Christensen A61C 8/0031
433/173
D661,806 S * 6/2012 Khawaled D24/152

D717,942 S * 11/2014 Neff D24/110.1
D726,912 S * 4/2015 Fiorina D24/152
D821,585 S * 6/2018 Kile D24/176

* cited by examiner

Primary Examiner — Daniel D Bui

(74) *Attorney, Agent, or Firm* — Timothy M. McCarthy;
Clark Hill PLC

(57) **CLAIM**

The ornamental design for a prophy cup shield assembly, as shown and described.

DESCRIPTION

The patent or application file contains at least one drawing executed in color. Copies of this patent or patent application publication with color drawing(s) will be provided by the Office upon request and payment of the necessary fee.

FIG. 1 is a perspective view of a prophy cup shield assembly in use condition, showing my new design;

FIG. 2 is a perspective view of a prophy cup shield assembly thereof;

FIG. 3 is a front elevation view thereof;

FIG. 4 is a rear elevation view thereof;

FIG. 5 is a left side elevation view thereof;

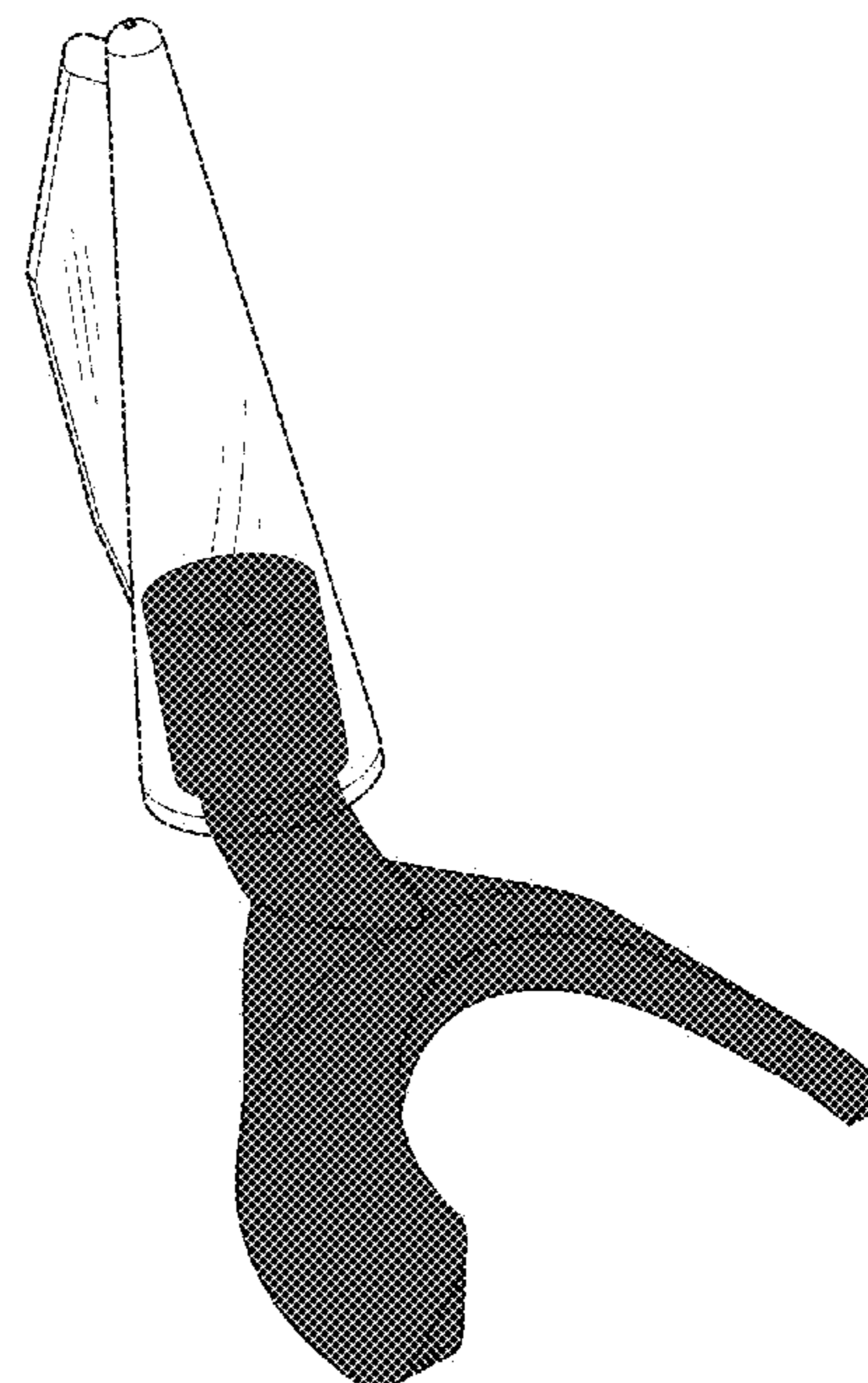
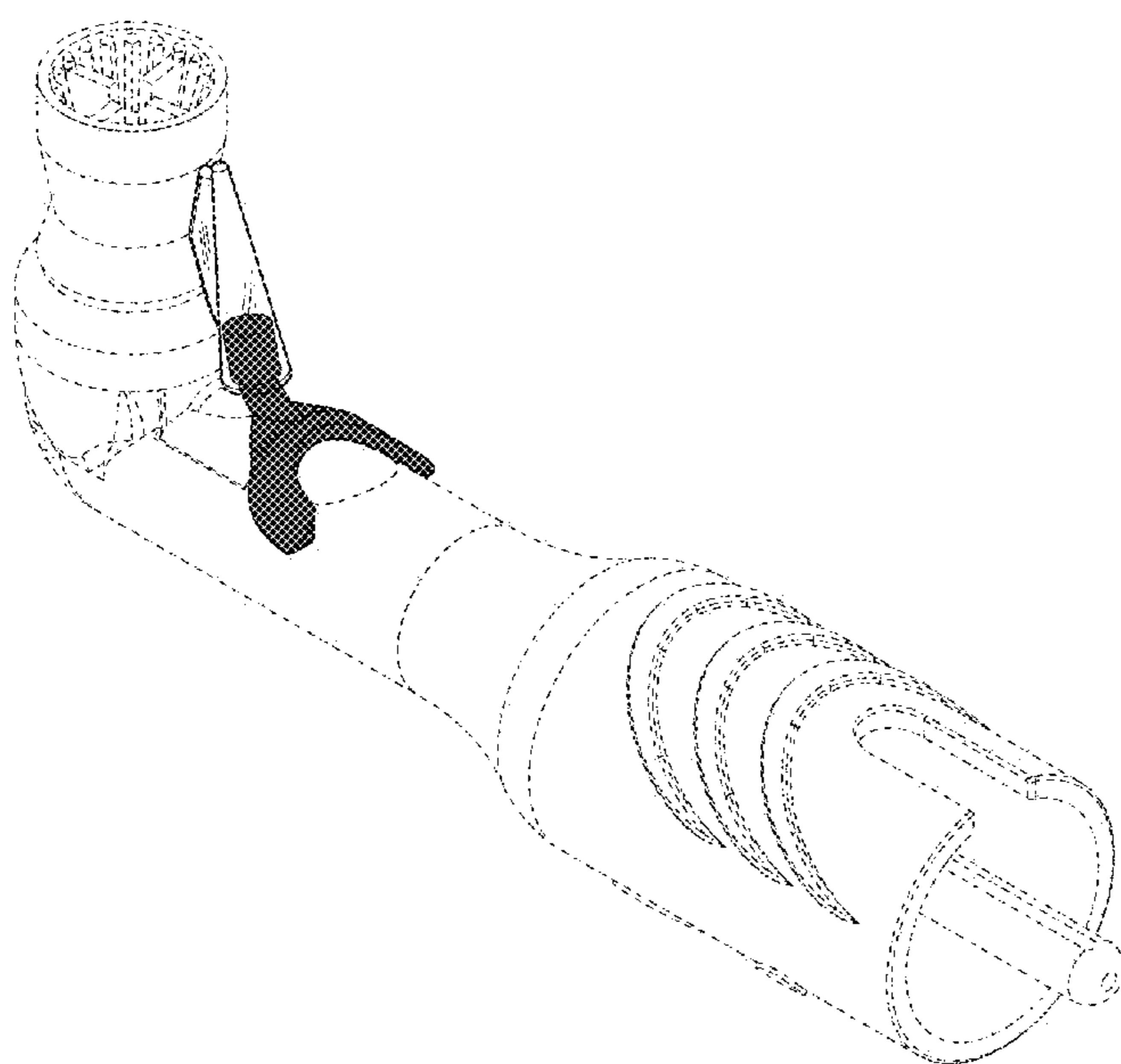
FIG. 6 is a right side elevation view thereof;

FIG. 7 is a top plan view thereof; and,

FIG. 8 is a bottom plan view thereof.

The broken line shown in FIG. 1 is for the purpose of illustrating unclaimed environment only and forms no part of the claimed design.

1 Claim, 5 Drawing Sheets
(5 of 5 Drawing Sheet(s) Filed in Color)



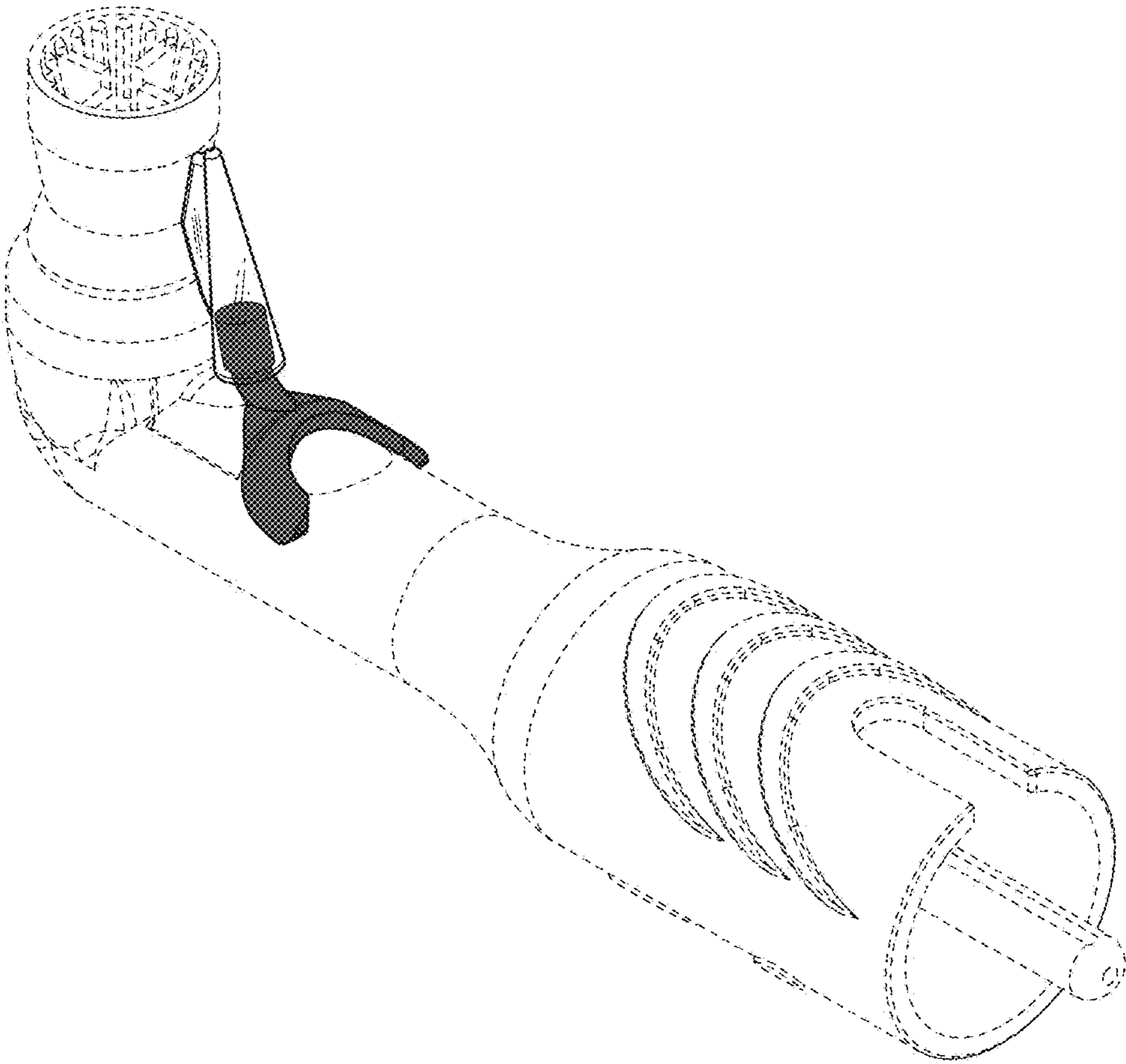


FIG. 1

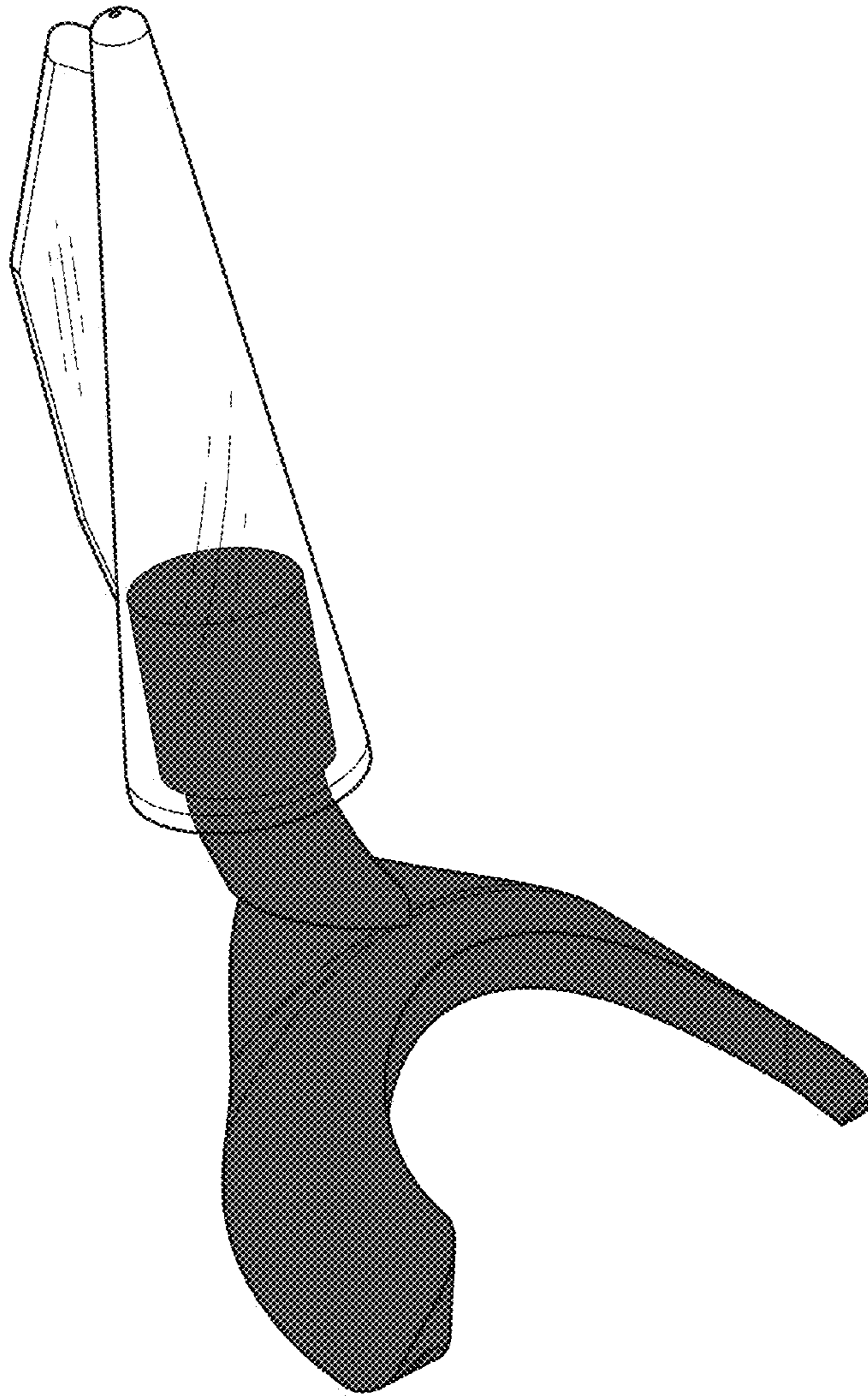


FIG. 2

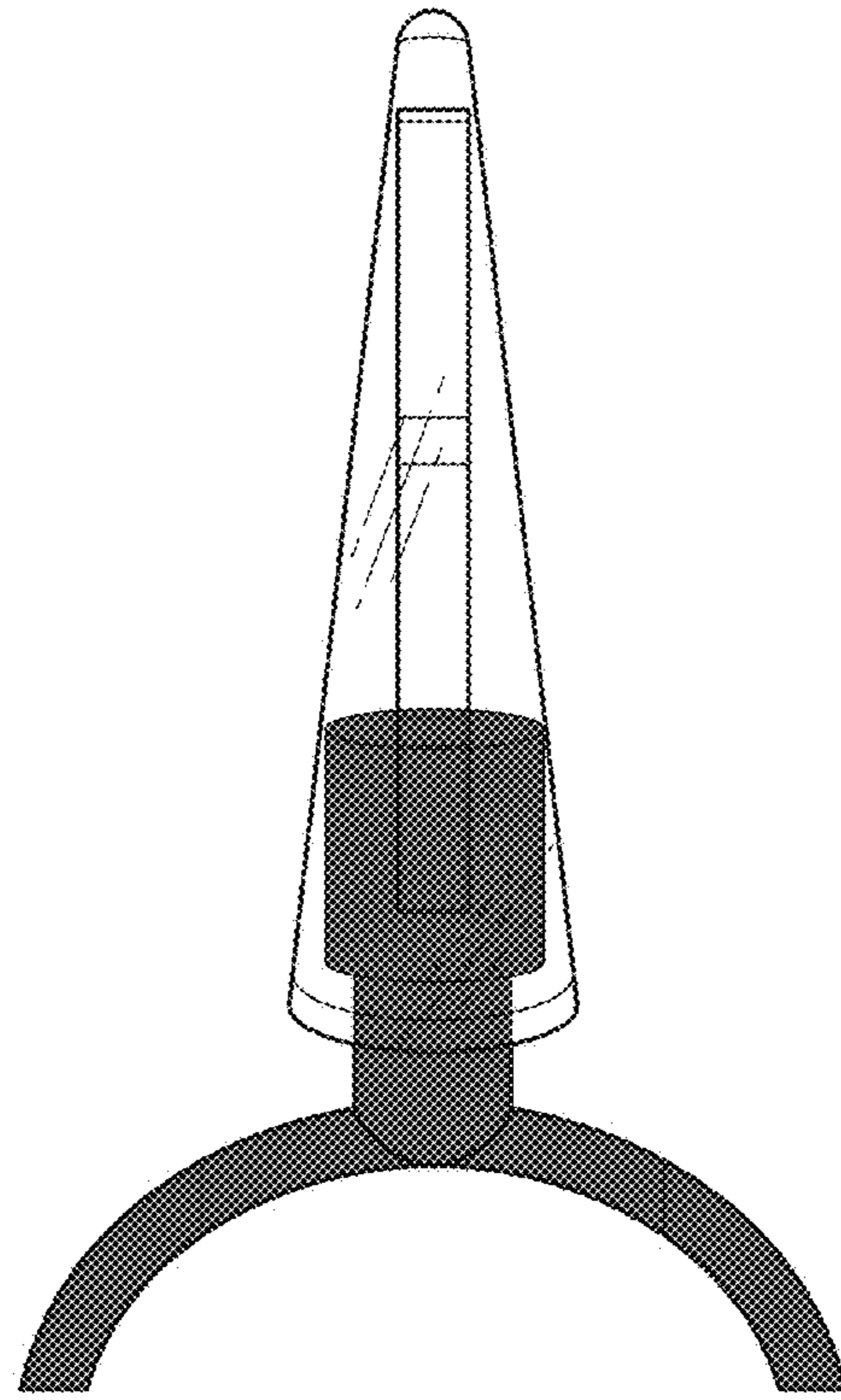


FIG. 3

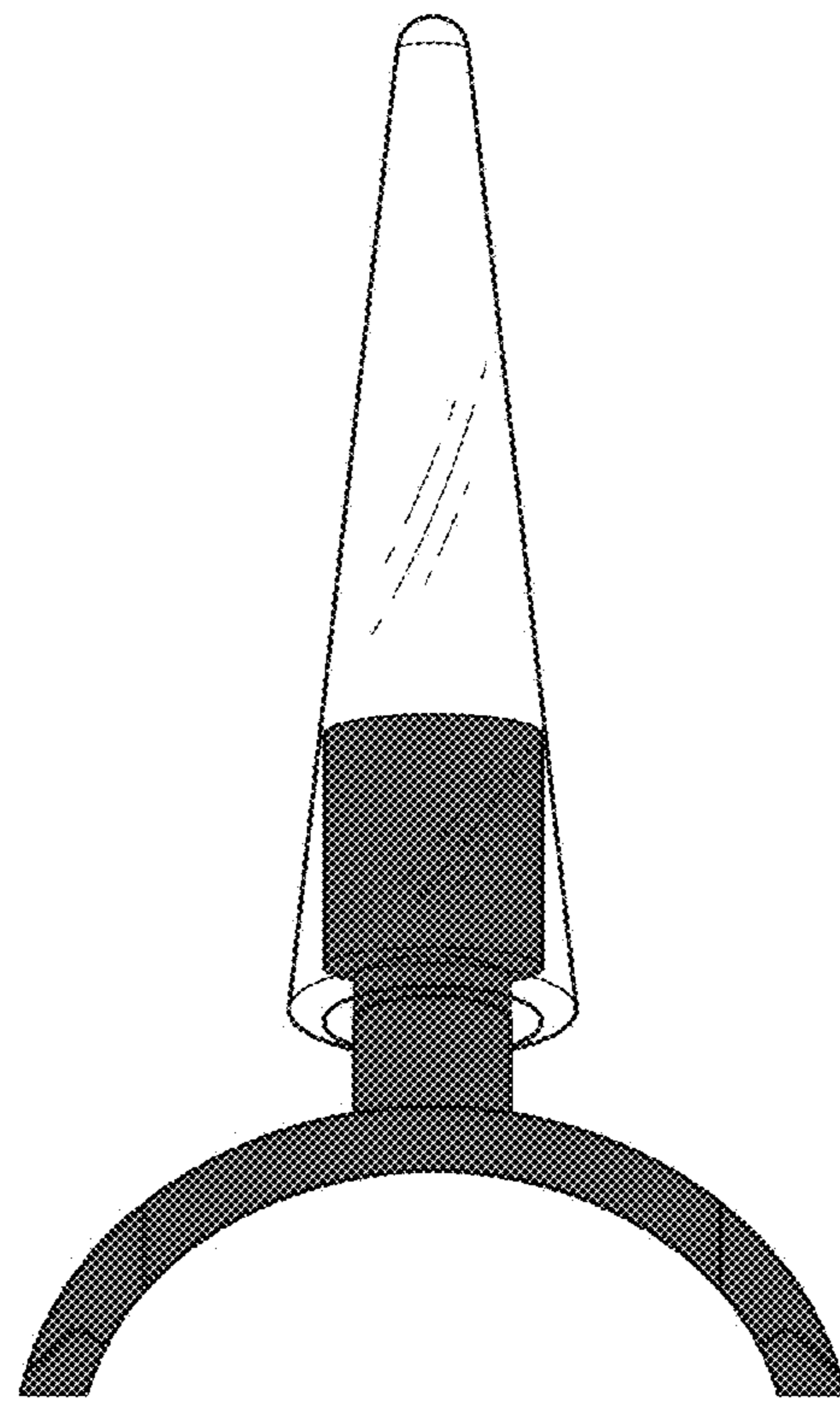


FIG. 4

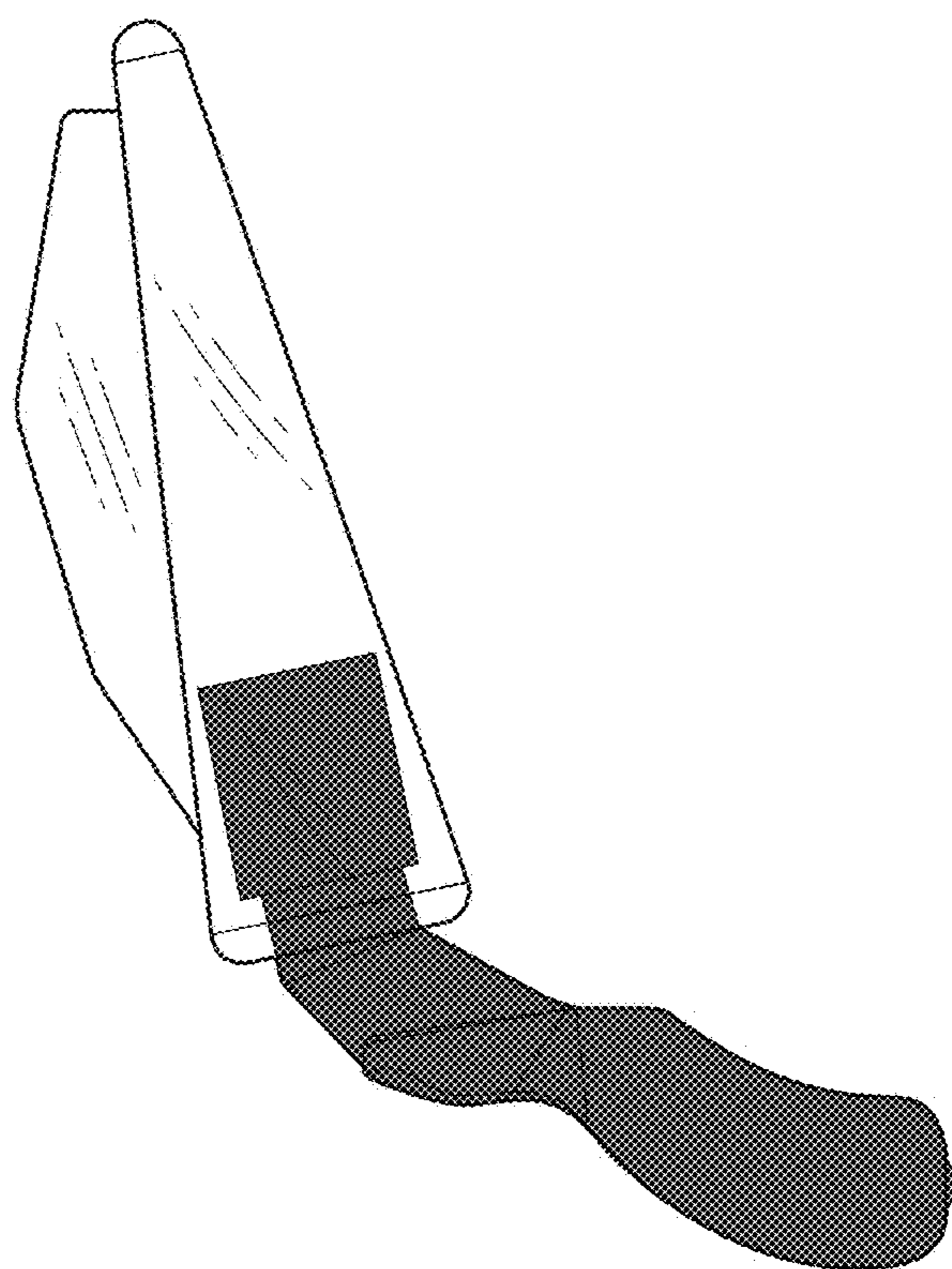


FIG. 5

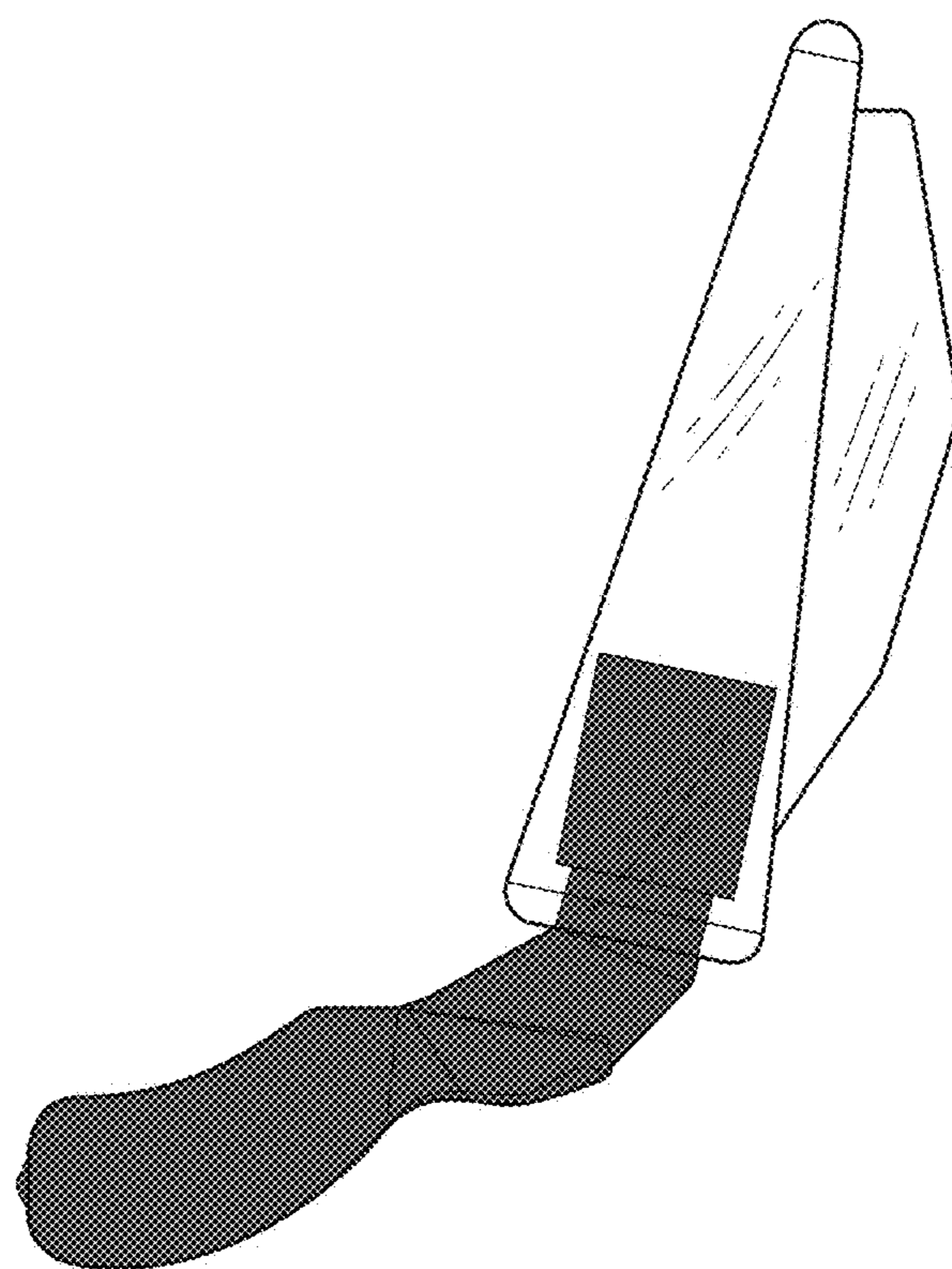


FIG. 6

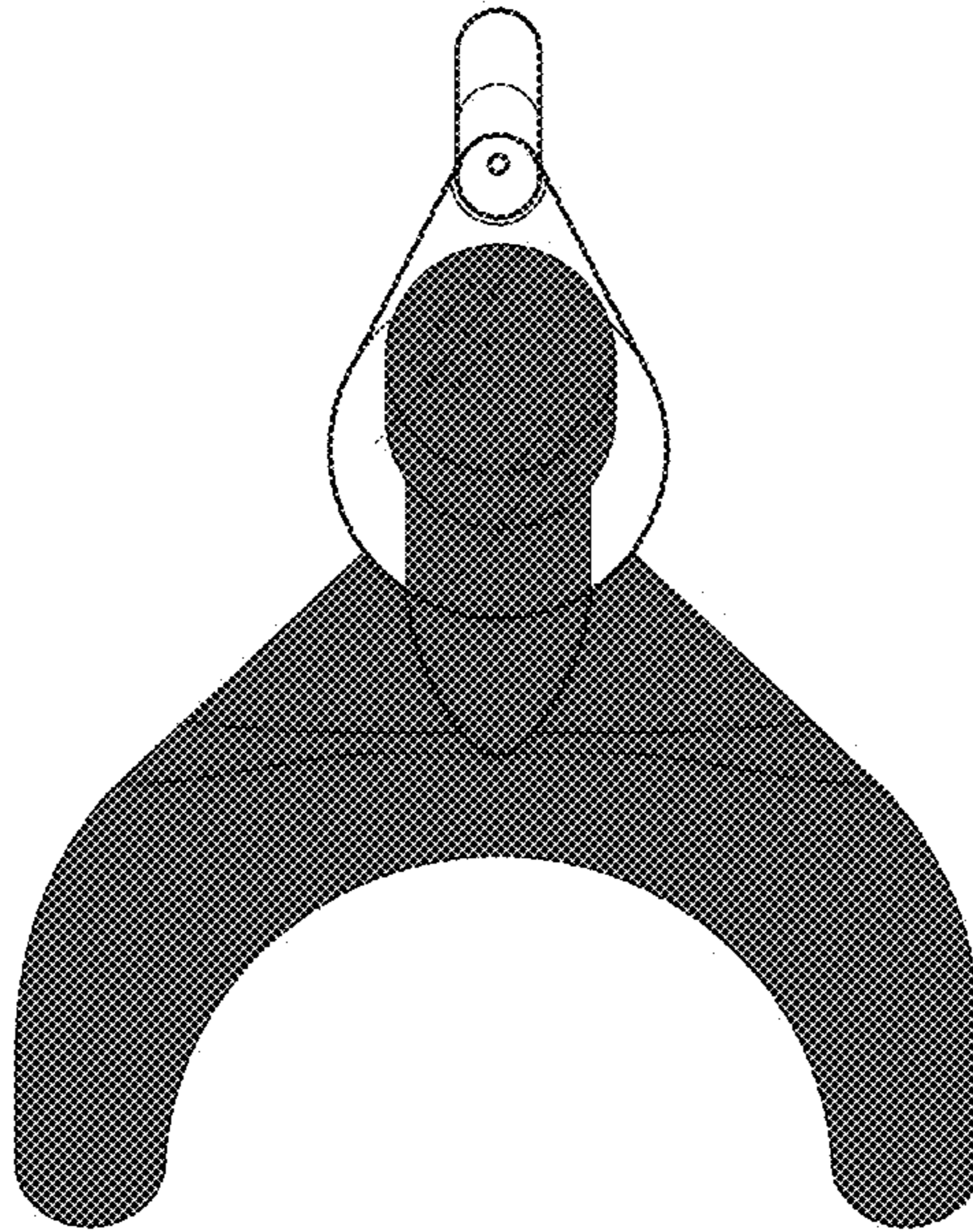


FIG. 7

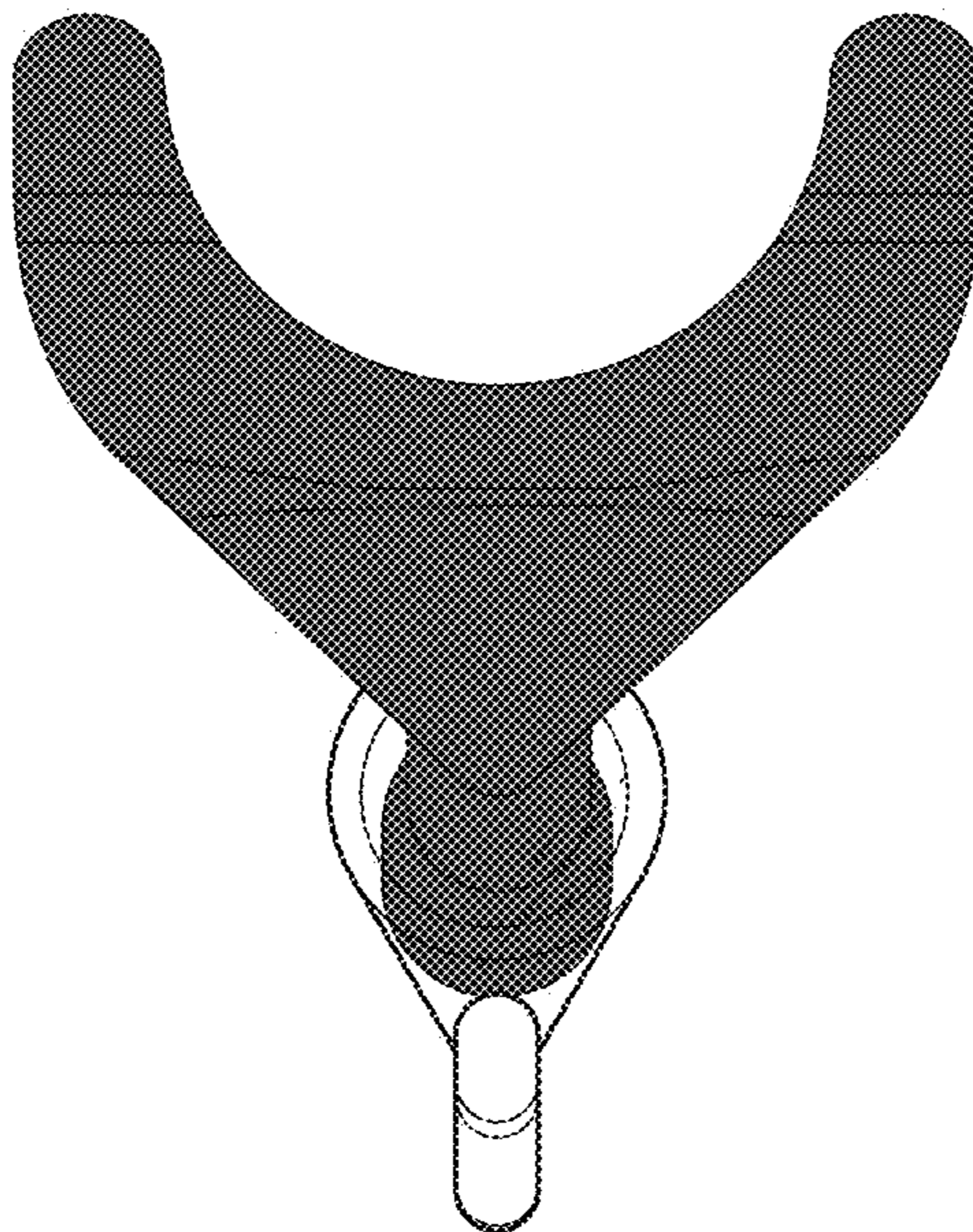


FIG. 8