



US00D839435S

(12) **United States Design Patent**
Way

(10) **Patent No.:** **US D839,435 S**

(45) **Date of Patent:** **** Jan. 29, 2019**

(54) **MOUTHPIECE**

(71) Applicant: **Advanced Orthodontics and Education Association, LLC**, Ossining, NY (US)

(72) Inventor: **Bryce A Way**, San Jose, CA (US)

(73) Assignee: **Advanced Orthodontics and Education Association, LLC**, Ossining, NY (US)

(**) Term: **15 Years**

(21) Appl. No.: **29/621,166**

(22) Filed: **Oct. 5, 2017**

(51) **LOC (11) Cl.** **24-02**

(52) **U.S. Cl.**
USPC **D24/181**

(58) **Field of Classification Search**
USPC D24/180–182, 176, 152; D29/108
CPC A61C 7/00; A61C 7/06; A61C 7/08; A61C 7/10; A61C 7/36; A61F 5/566; A63B 71/085

See application file for complete search history.

(56) **References Cited**

U.S. PATENT DOCUMENTS

D582,559 S * 12/2008 Khawaled D24/181
8,500,446 B2 * 8/2013 Lowe A61C 7/00
433/18

D713,531 S * 9/2014 Way D24/181
D725,280 S * 3/2015 Gantes D24/181
D797,941 S * 9/2017 Way D24/176
2013/0273490 A1 * 10/2013 Way A61C 7/08
433/6

* cited by examiner

Primary Examiner — Wan Laymon

(74) *Attorney, Agent, or Firm* — Finnegan, Henderson, Farabow, Garrett & Dunner, L.L.P.

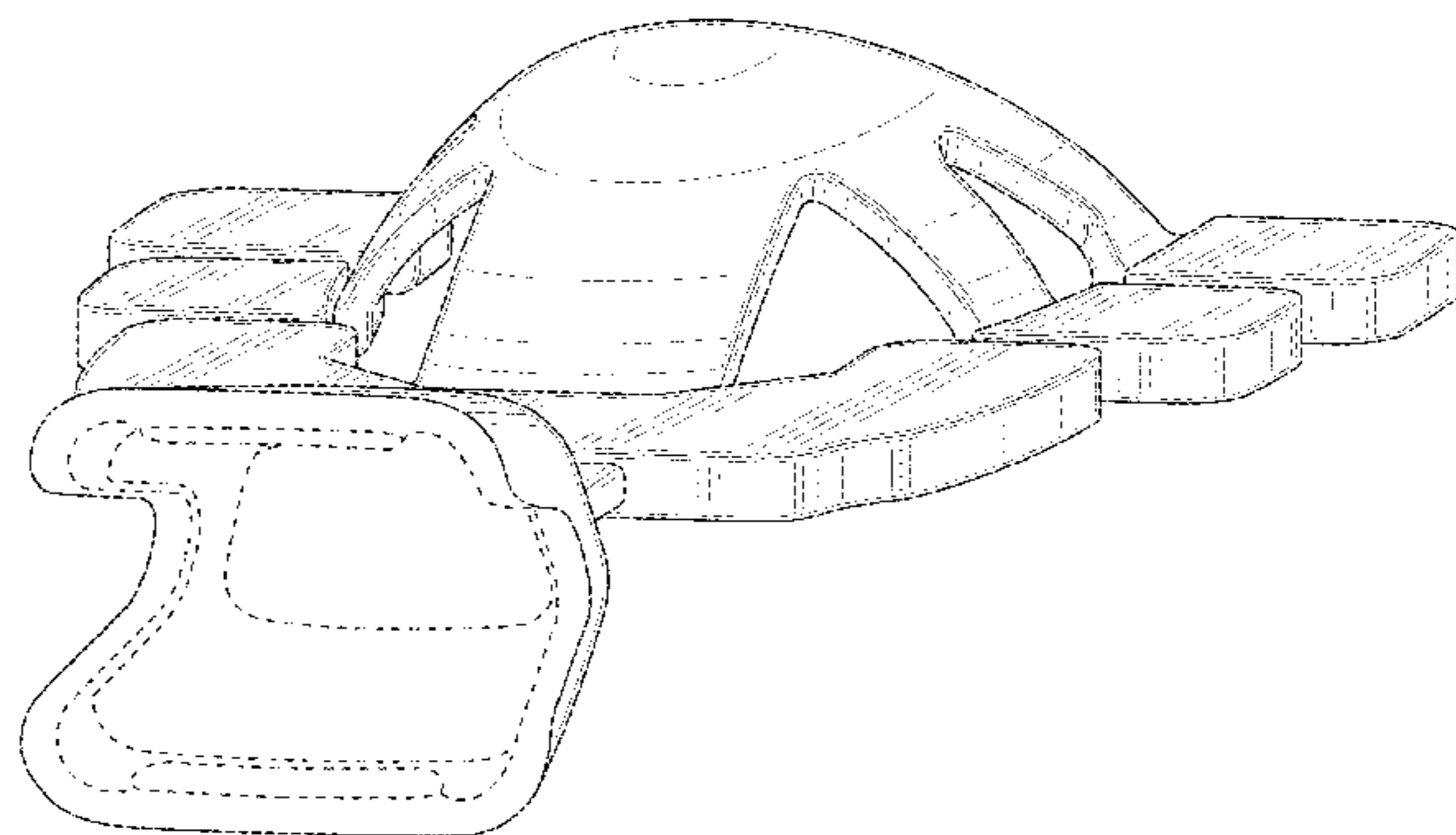
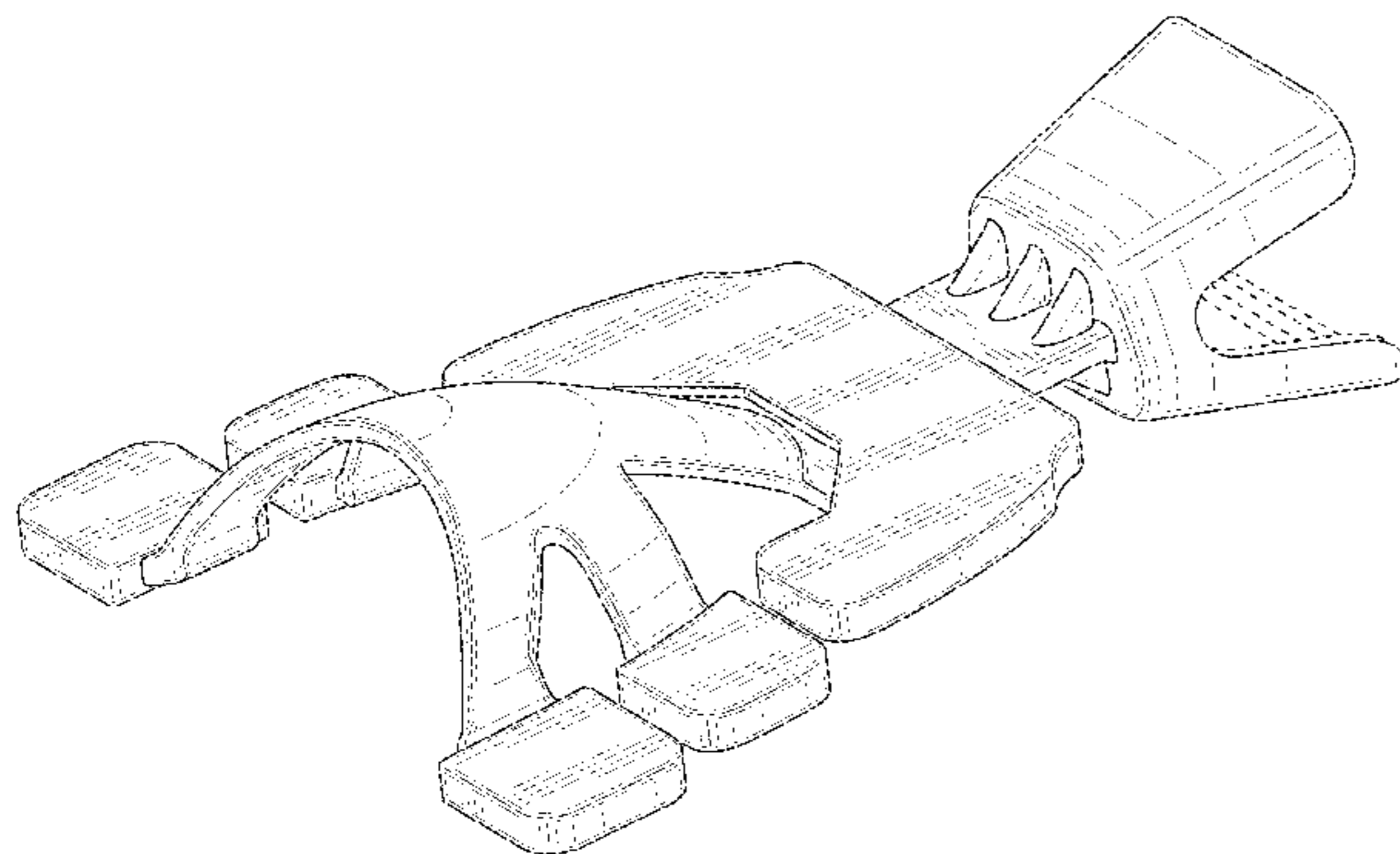
(57) **CLAIM**

The ornamental design for a mouthpiece, as shown and described.

DESCRIPTION

FIG. 1 is a front, right, top perspective view of a mouthpiece showing my new design;
FIG. 2 is a rear, left, bottom perspective view thereof;
FIG. 3 is a rear, left, top perspective view thereof;
FIG. 4 is a rear elevation view thereof;
FIG. 5 is a front elevation view thereof;
FIG. 6 is a right side view thereof, with the left side view being a mirror image thereof;
FIG. 7 is a top plan view thereof; and,
FIG. 8 is a bottom plan view thereof.
The broken lines shown in the drawings depict portions of the mouthpiece that form no part of the claimed design.

1 Claim, 16 Drawing Sheets



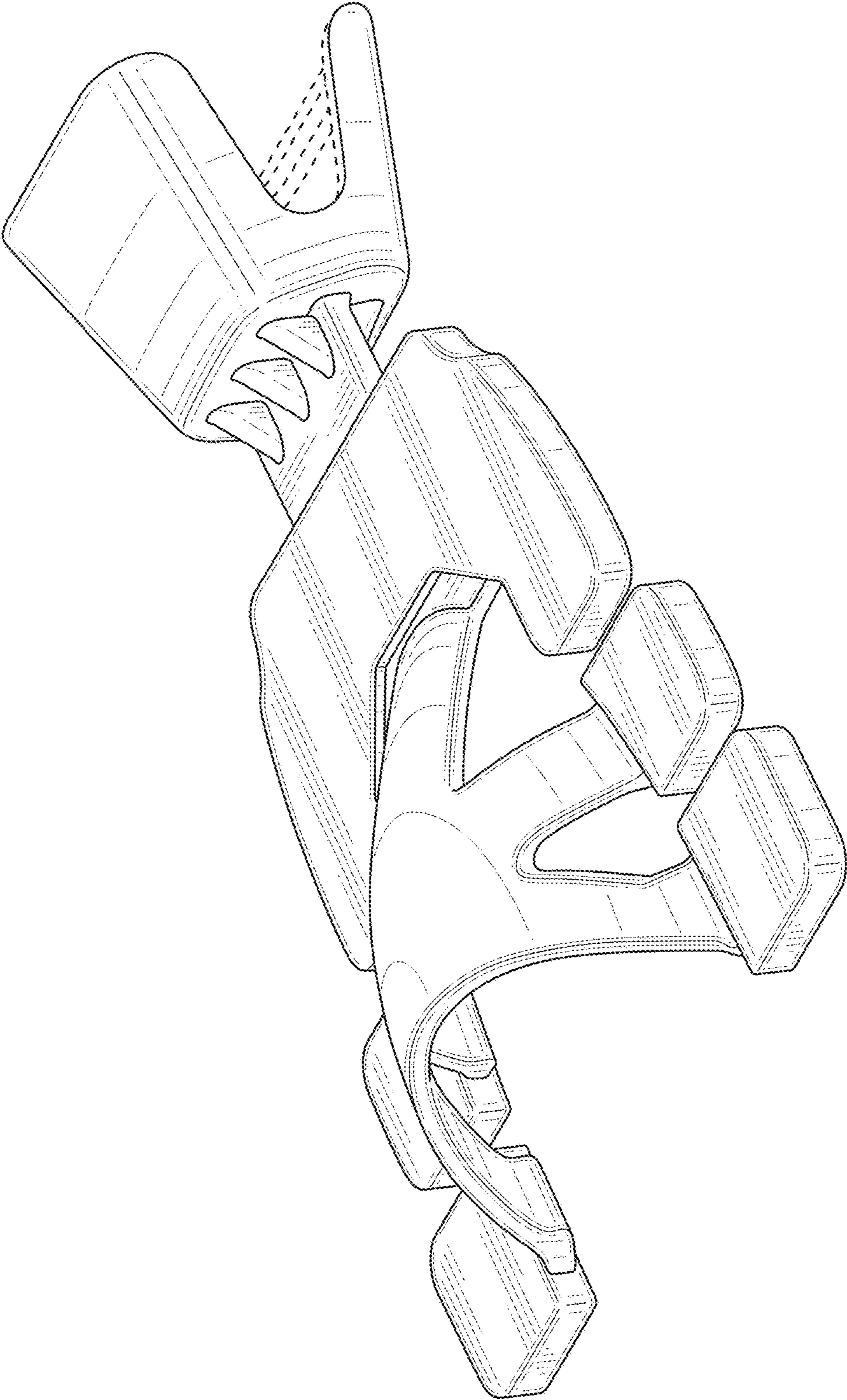


FIG. 1

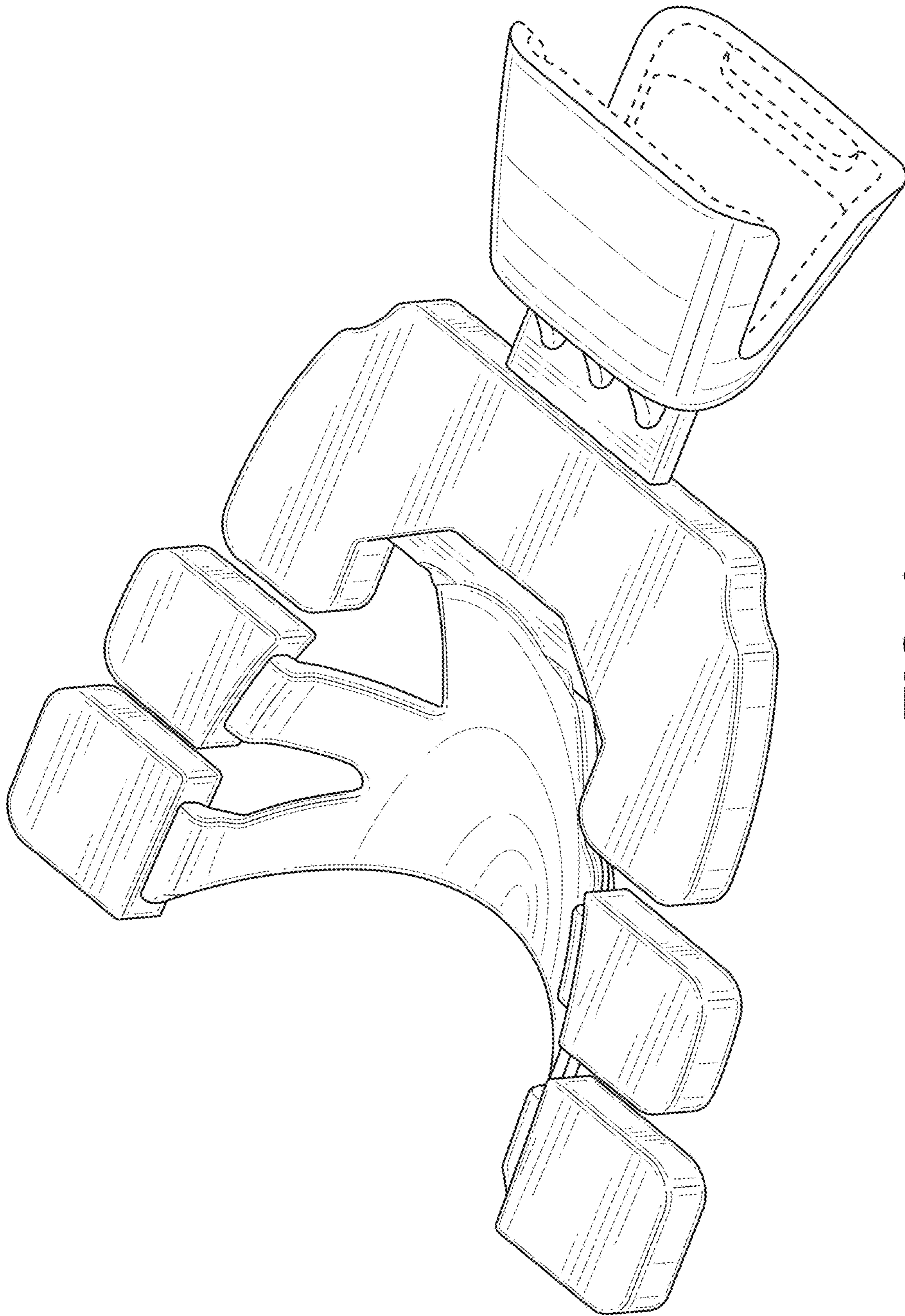


FIG. 2

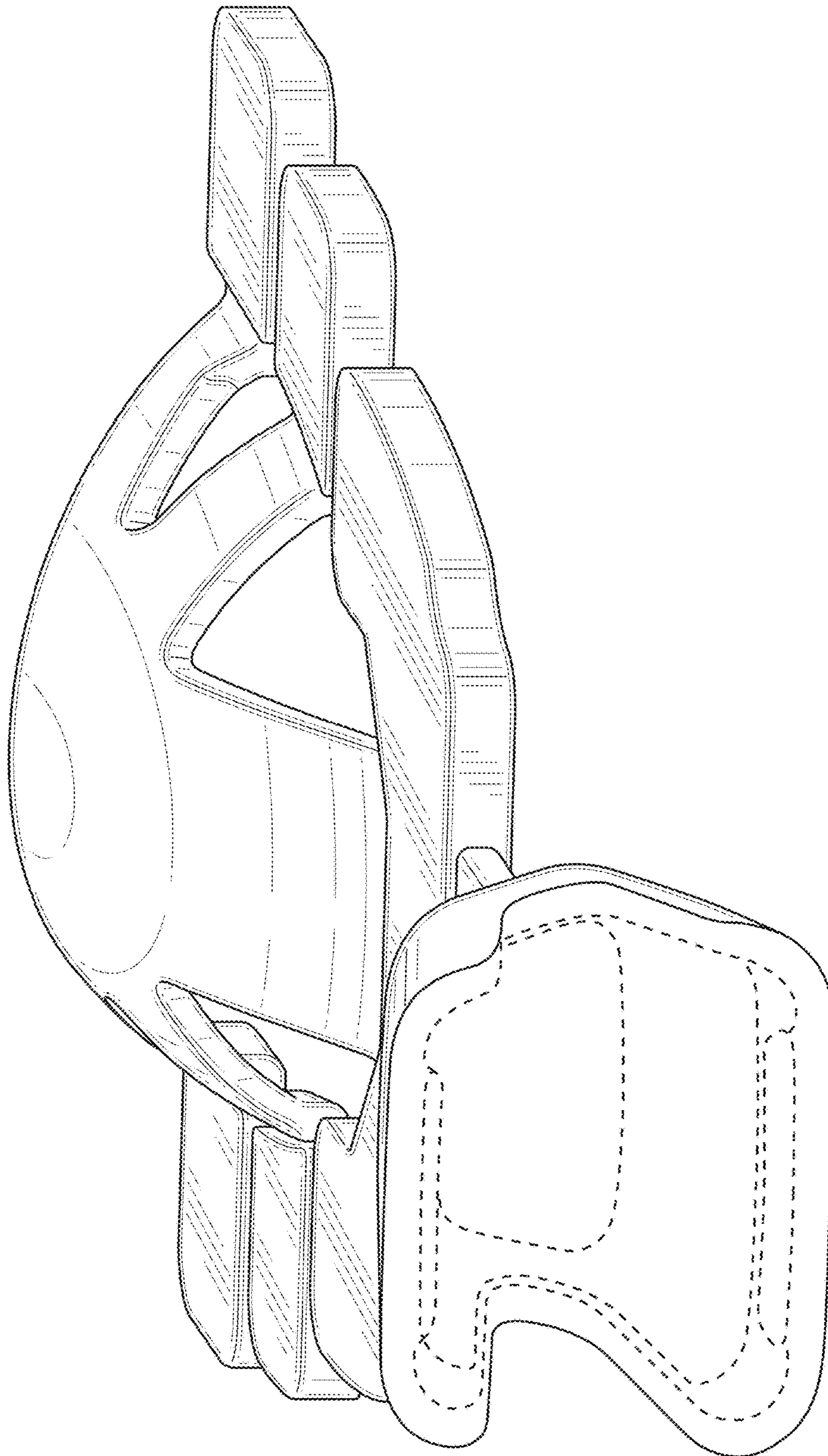


FIG. 3

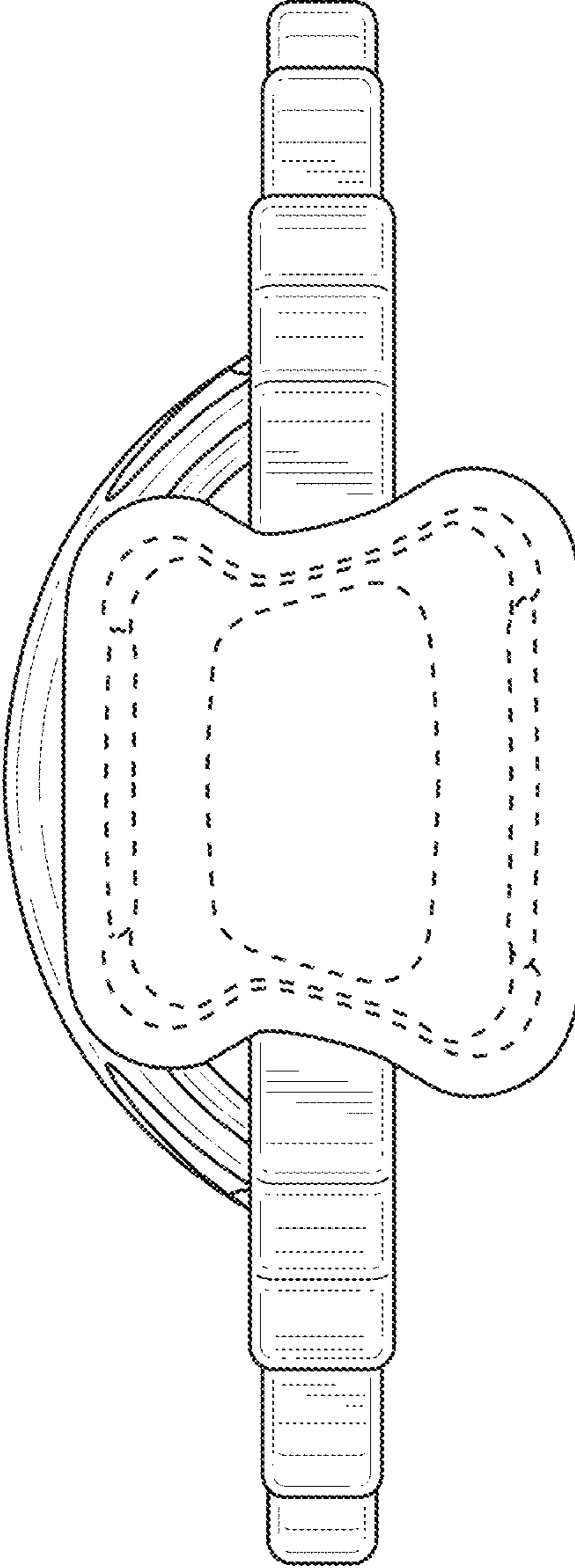


FIG. 4

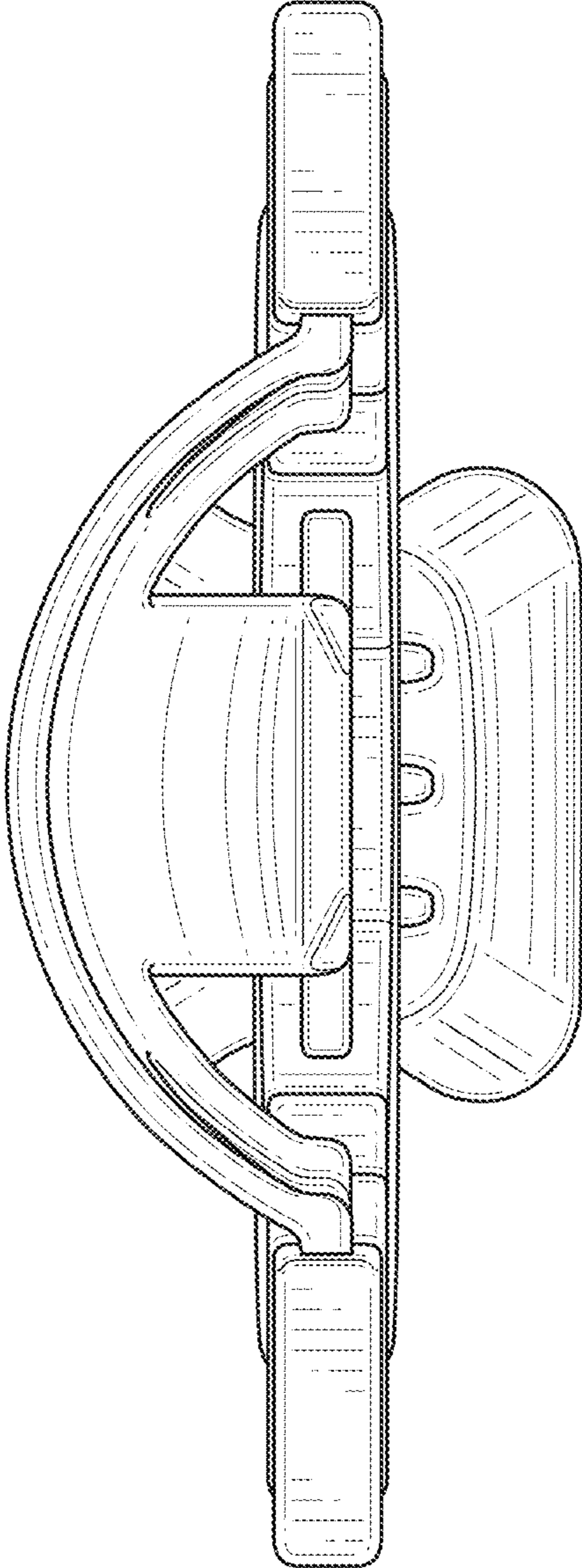


FIG. 5

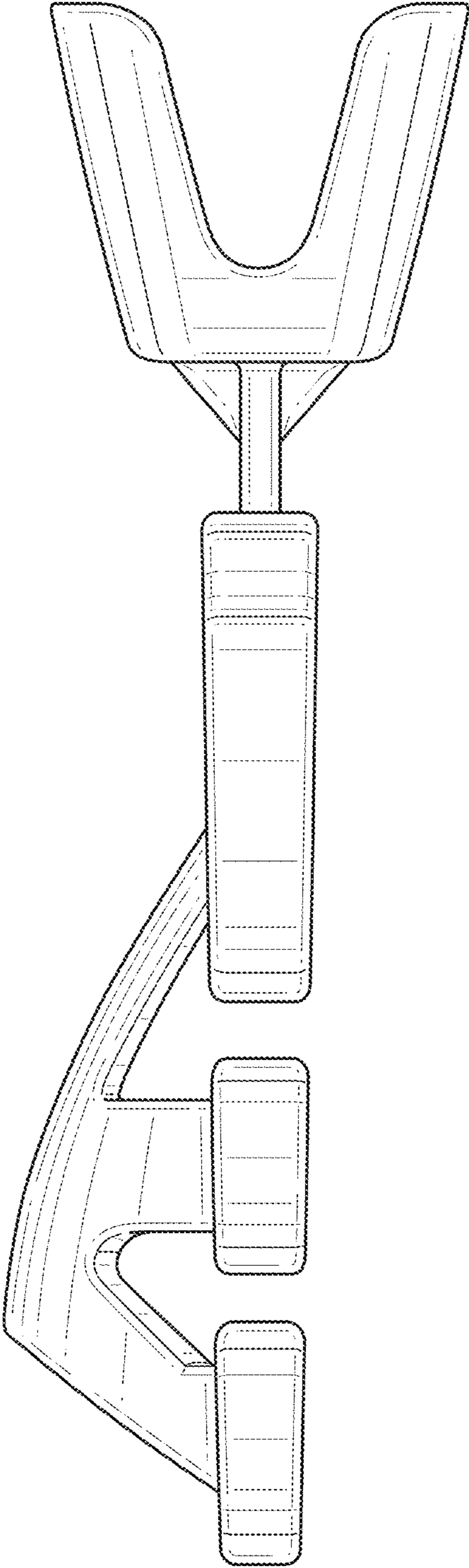


FIG. 6

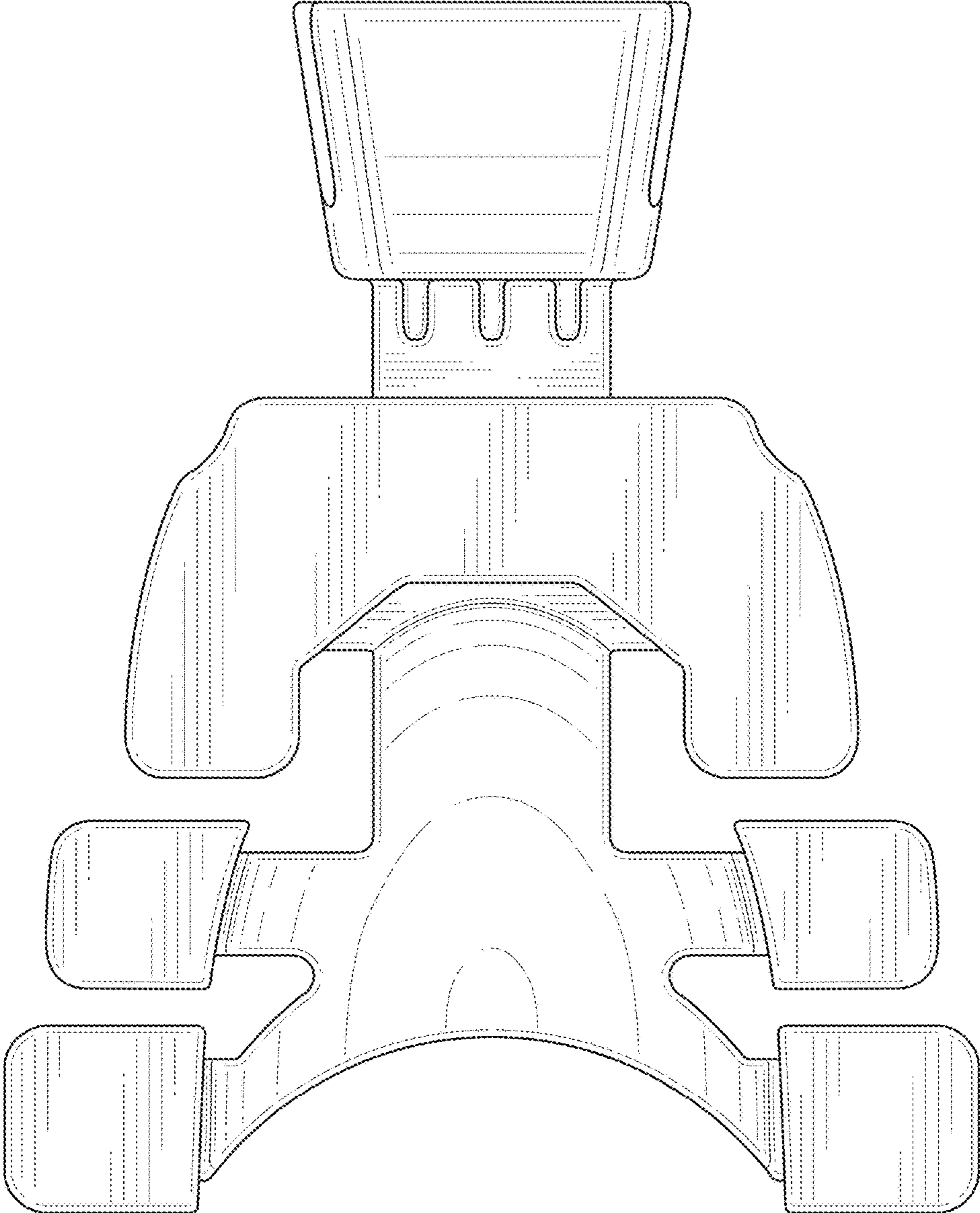


FIG. 7

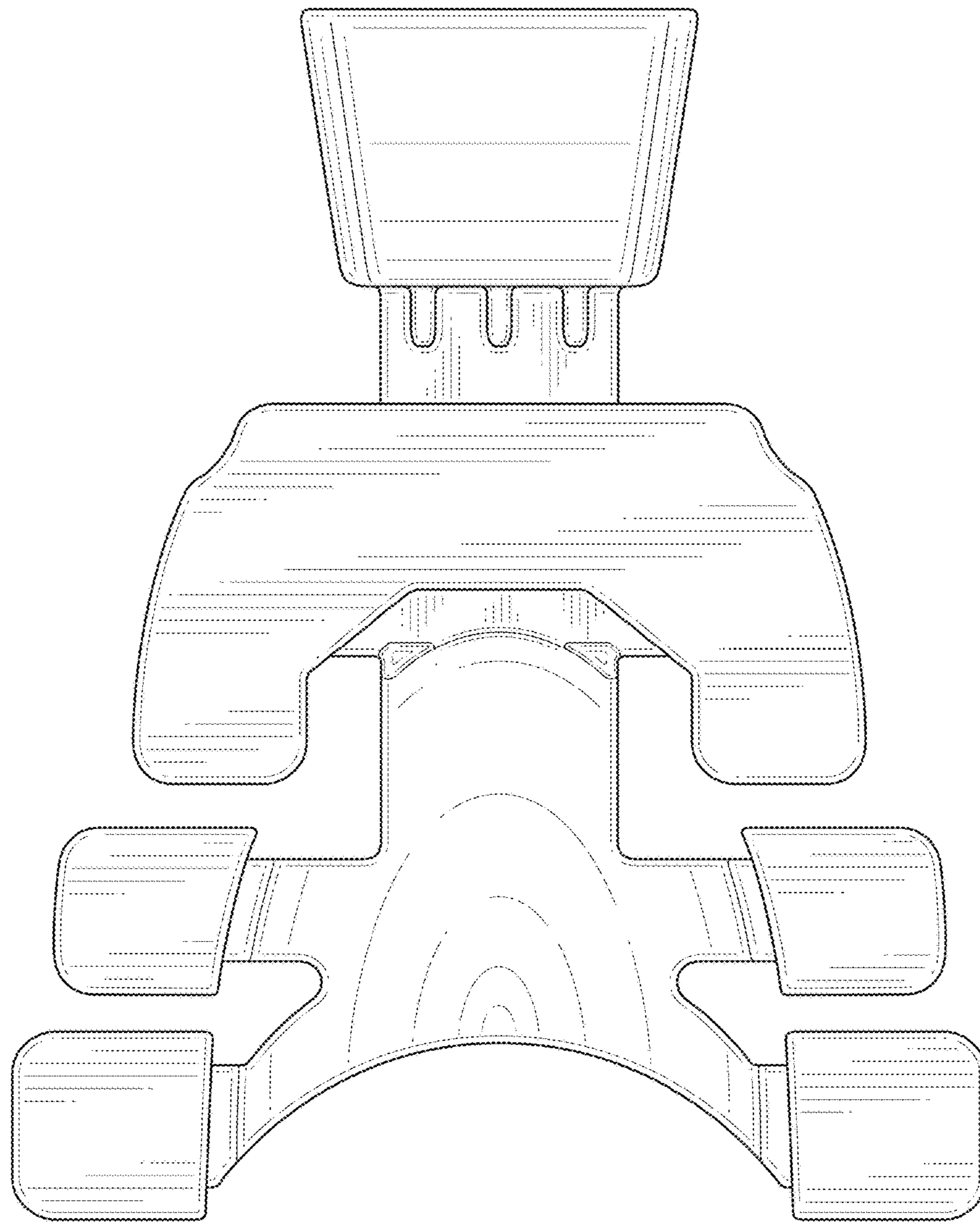


FIG. 8

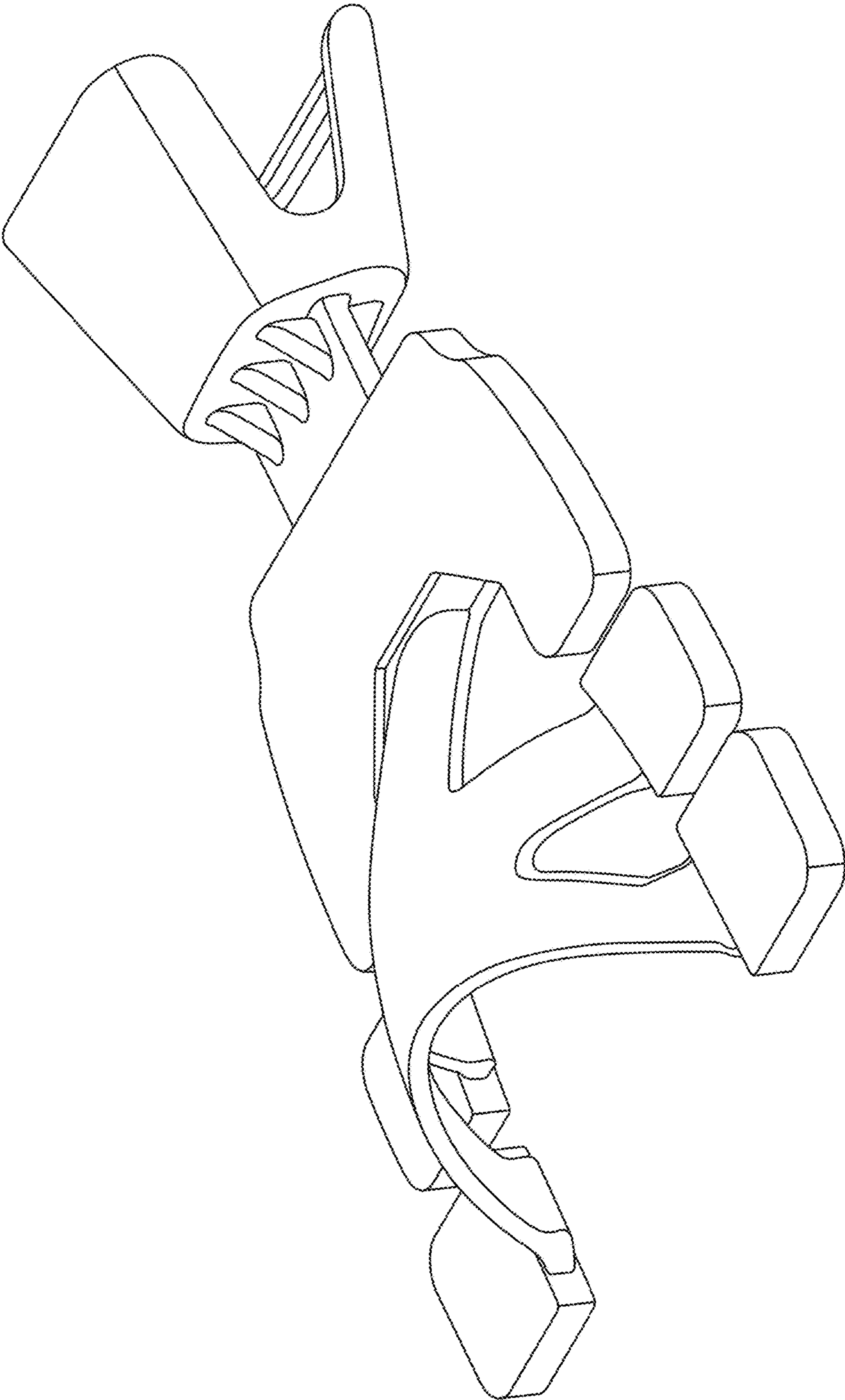


FIG. 9

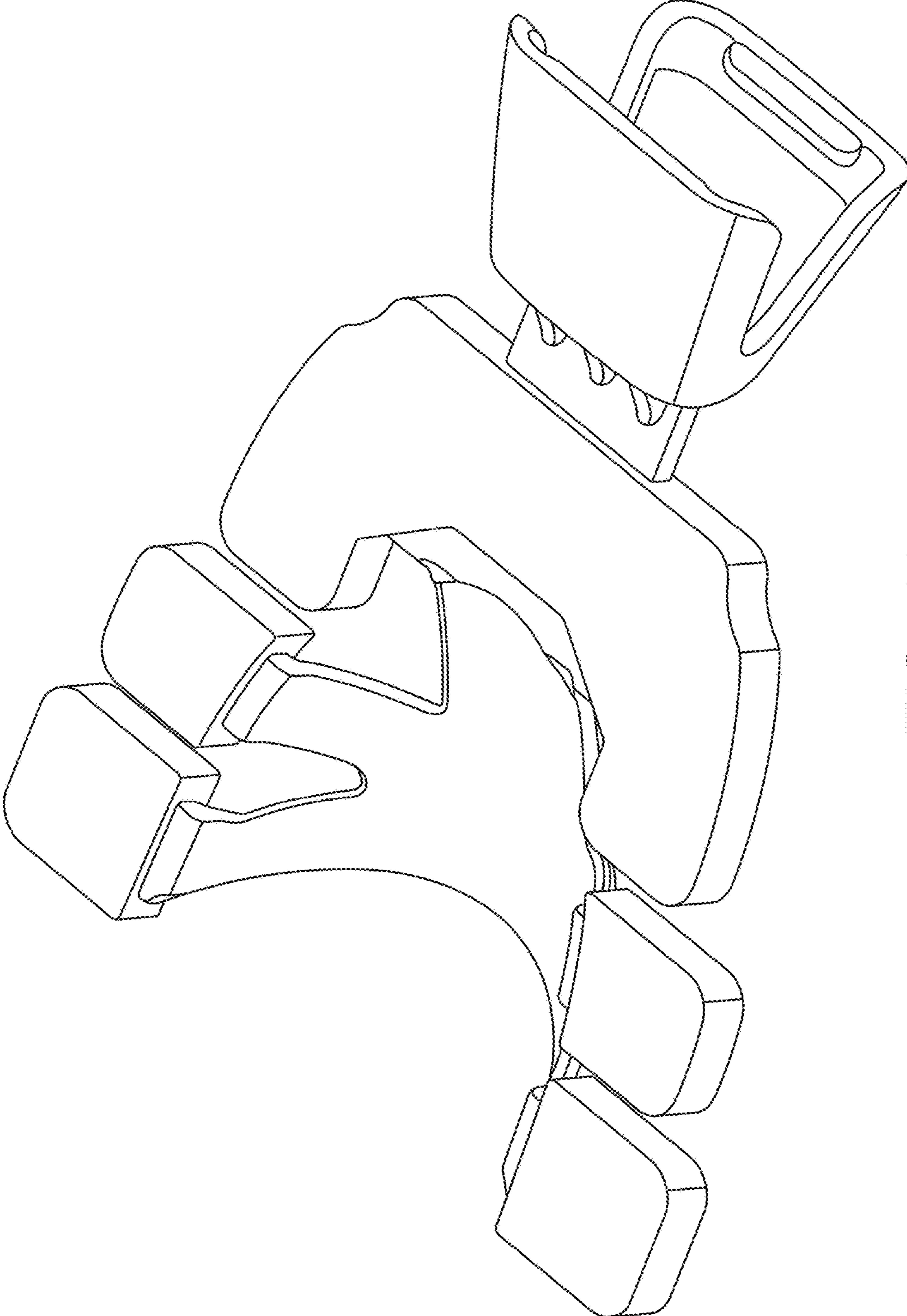


FIG. 10

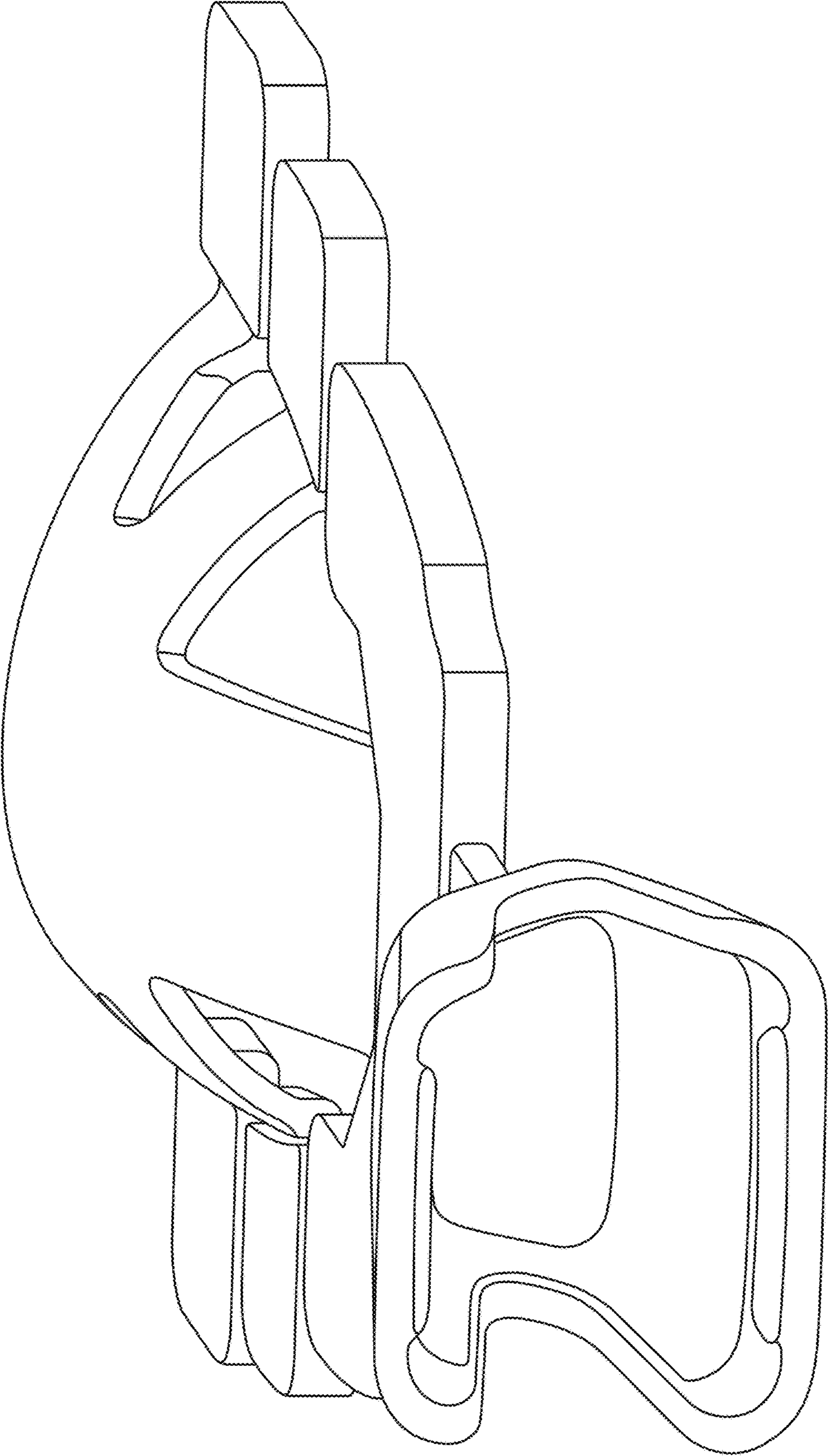


FIG. 11

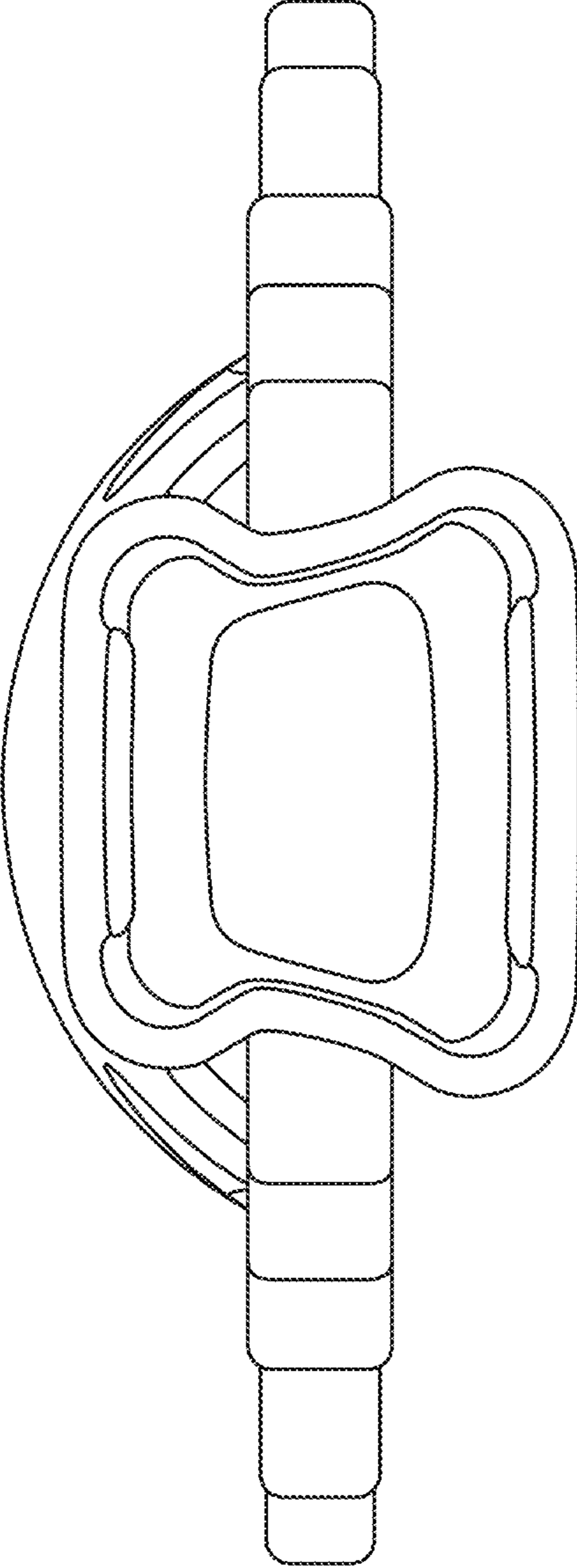


FIG. 12

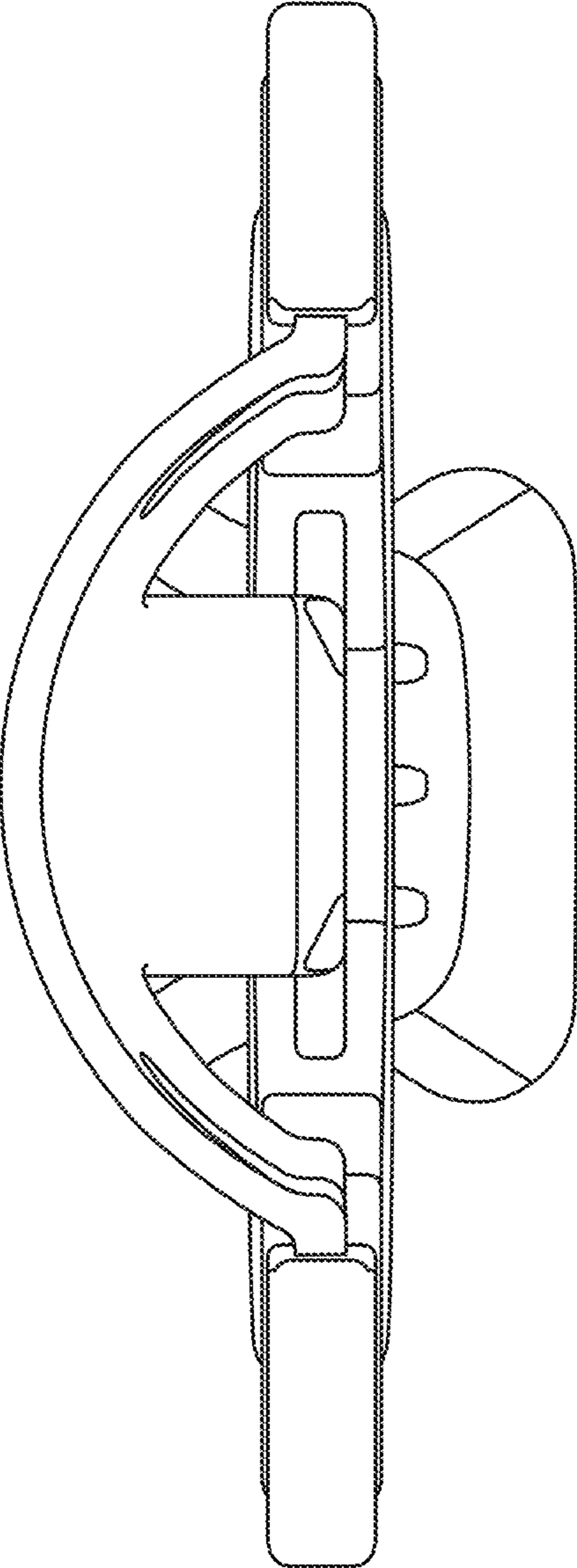


FIG. 13

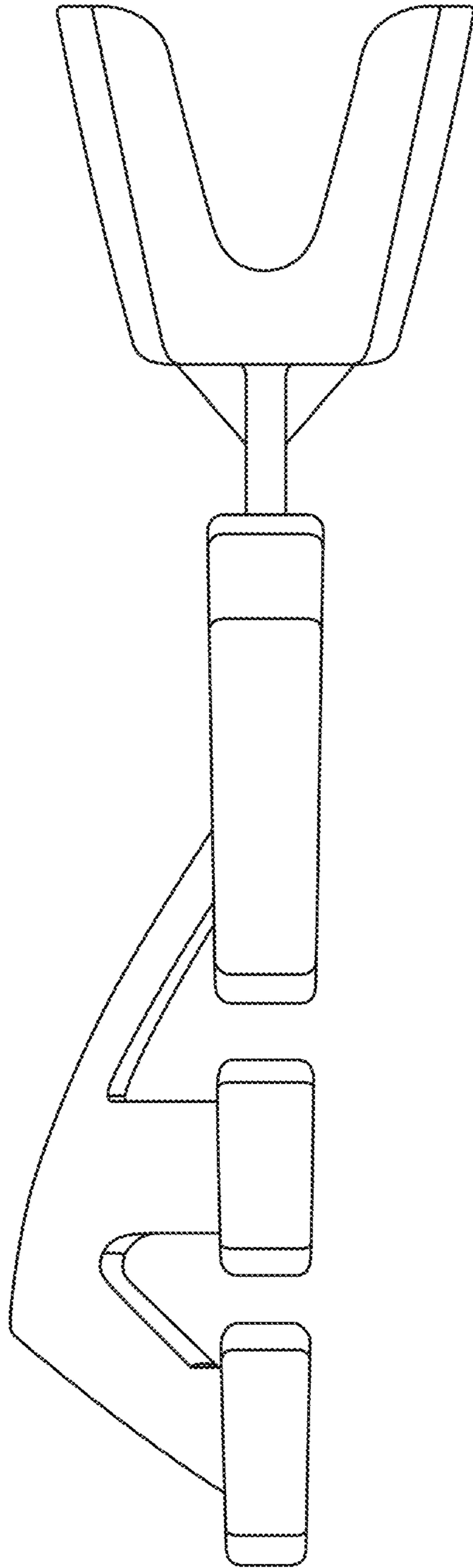


FIG. 14

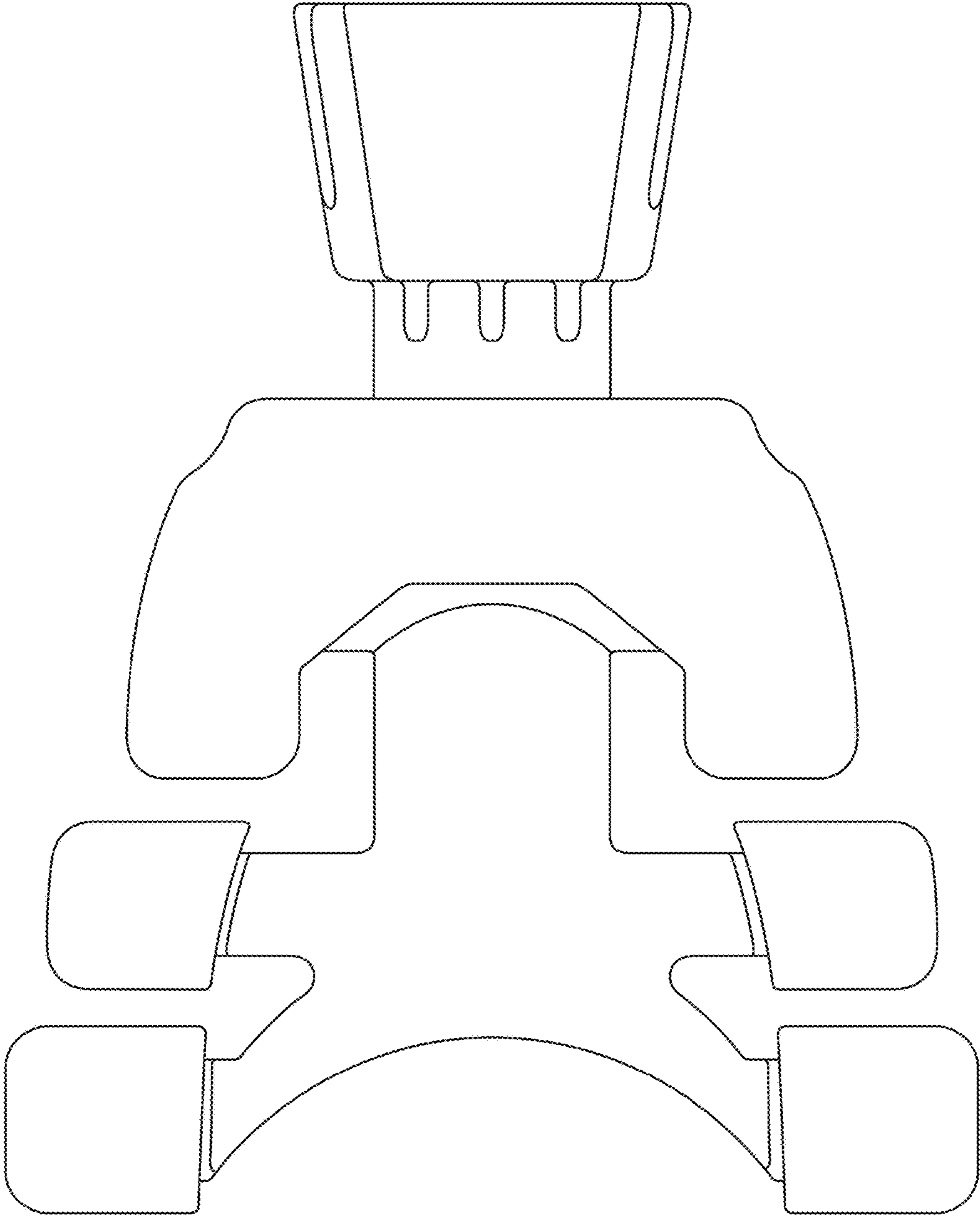


FIG. 15

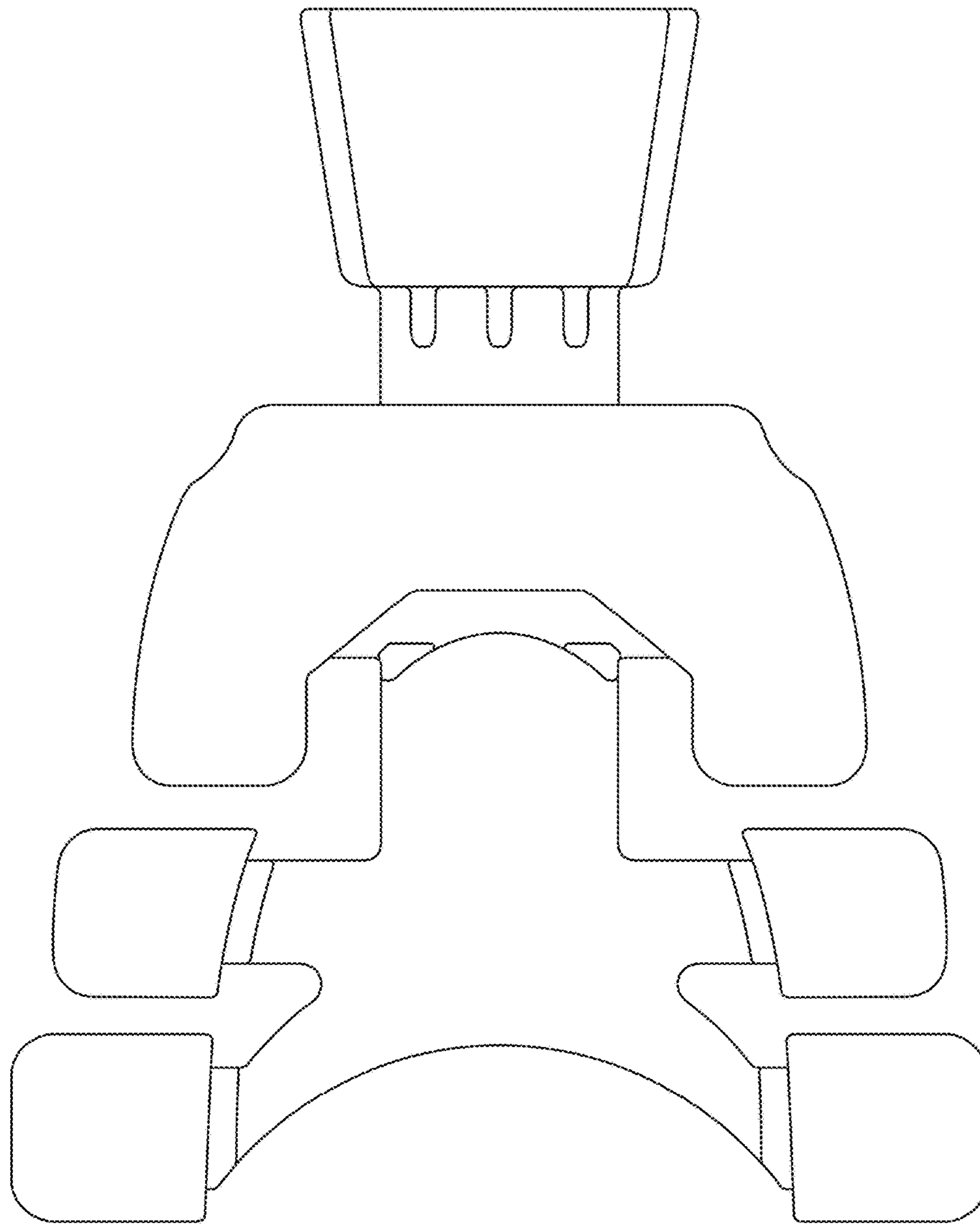


FIG. 16

UNITED STATES PATENT AND TRADEMARK OFFICE
CERTIFICATE OF CORRECTION

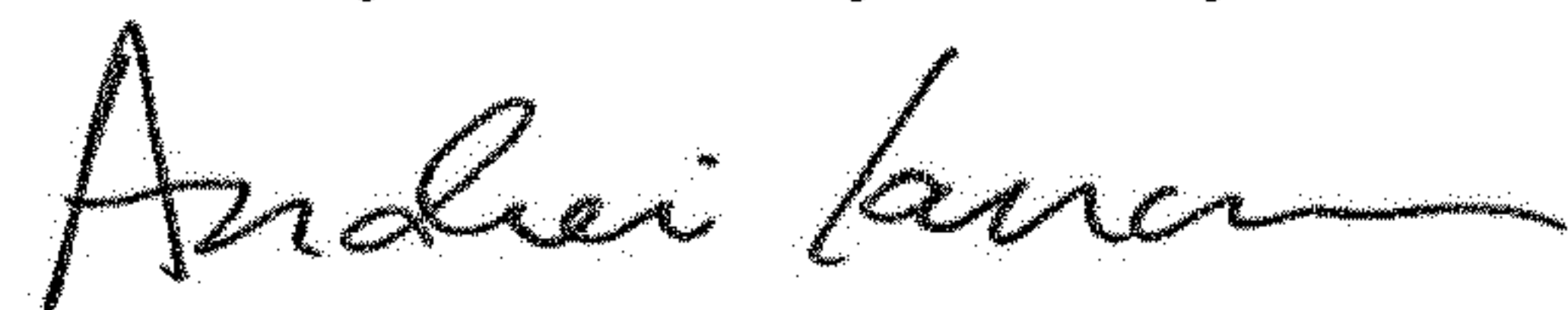
PATENT NO. : D839,435 S
APPLICATION NO. : 29/621166
DATED : January 29, 2019
INVENTOR(S) : Way

Page 1 of 10

It is certified that error appears in the above-identified patent and that said Letters Patent is hereby corrected as shown below:

Please delete Patent No. D839,435 S in its entirety and insert Patent No. D839,435 S in its entirety as shown on the attached pages.

Signed and Sealed this
Twenty-third Day of July, 2019



Andrei Iancu
Director of the United States Patent and Trademark Office

(12) **United States Design Patent** (10) **Patent No.:** **US D839,435 S**
Way (45) **Date of Patent:** **** Jan. 29, 2019**

(54) **MOUTHPIECE**

(71) Applicant: **Advanced Orthodontics and Education Association, LLC**, Ossining, NY (US)

(72) Inventor: **Bryce A Way**, San Jose, CA (US)

(73) Assignee: **Advanced Orthodontics and Education Association, LLC**, Ossining, NY (US)

(**) Term: **15 Years**

(21) Appl. No.: **29/621,166**

(22) Filed: **Oct. 5, 2017**

(51) LOC (11) Cl. **24-02**

(52) U.S. Cl. **D24/181**

(58) **Field of Classification Search**
 USPC D24/180-182, 176, 152; D29/108
 CPC A61C 7/00; A61C 7/06; A61C 7/08; A61C 7/10; A61C 7/36; A61F 5/566; A63B 71/085

See application file for complete search history.

(56) **References Cited**

U.S. PATENT DOCUMENTS

D582,559 S * 12/2008 Khawaled D24/181
 8,500,446 B2 * 8/2013 Lowe A61C 7/00
 433/18

D713,531 S * 9/2014 Way D24/181
 D725,280 S * 3/2015 Gantes D24/181
 D797,941 S * 9/2017 Way D24/176
 2013/0273490 A1 * 10/2013 Way A61C 7/08
 433/6

* cited by examiner

Primary Examiner — Wan Laymon

(74) *Attorney, Agent, or Firm* — Finnegan, Henderson, Farabow, Garrett & Dunner, L.L.P.

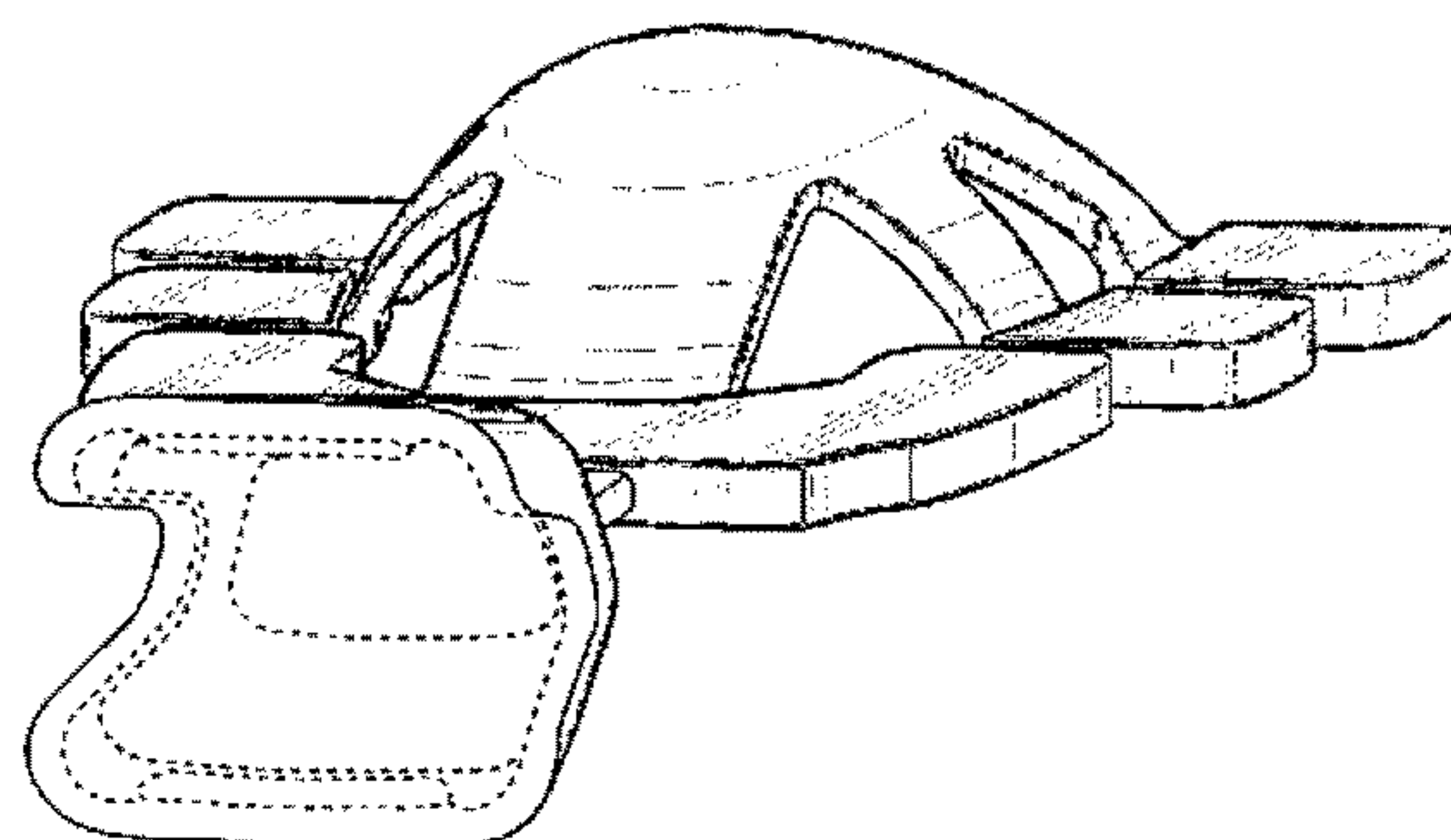
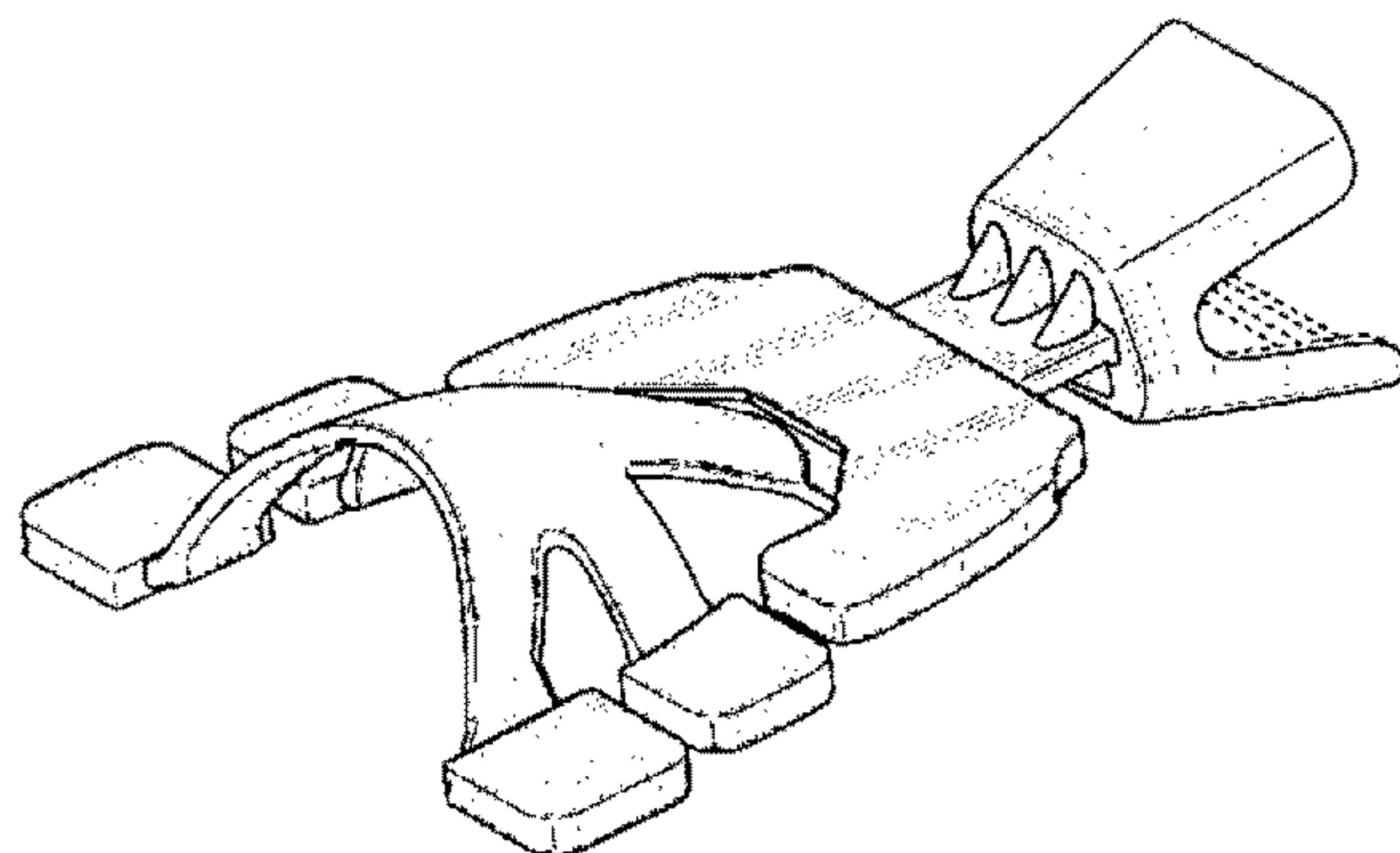
(57) **CLAIM**

The ornamental design for a mouthpiece, as shown and described.

DESCRIPTION

FIG. 1 is a front, right, top perspective view of a mouthpiece showing my new design;
 FIG. 2 is a rear, left, bottom perspective view thereof;
 FIG. 3 is a rear, left, top perspective view thereof;
 FIG. 4 is a rear elevation view thereof;
 FIG. 5 is a front elevation view thereof;
 FIG. 6 is a right side view thereof, with the left side view being a mirror image thereof;
 FIG. 7 is a top plan view thereof; and,
 FIG. 8 is a bottom plan view thereof.
 The broken lines shown in the drawings depict portions of the mouthpiece that form no part of the claimed design.

1 Claim, 8 Drawing Sheets



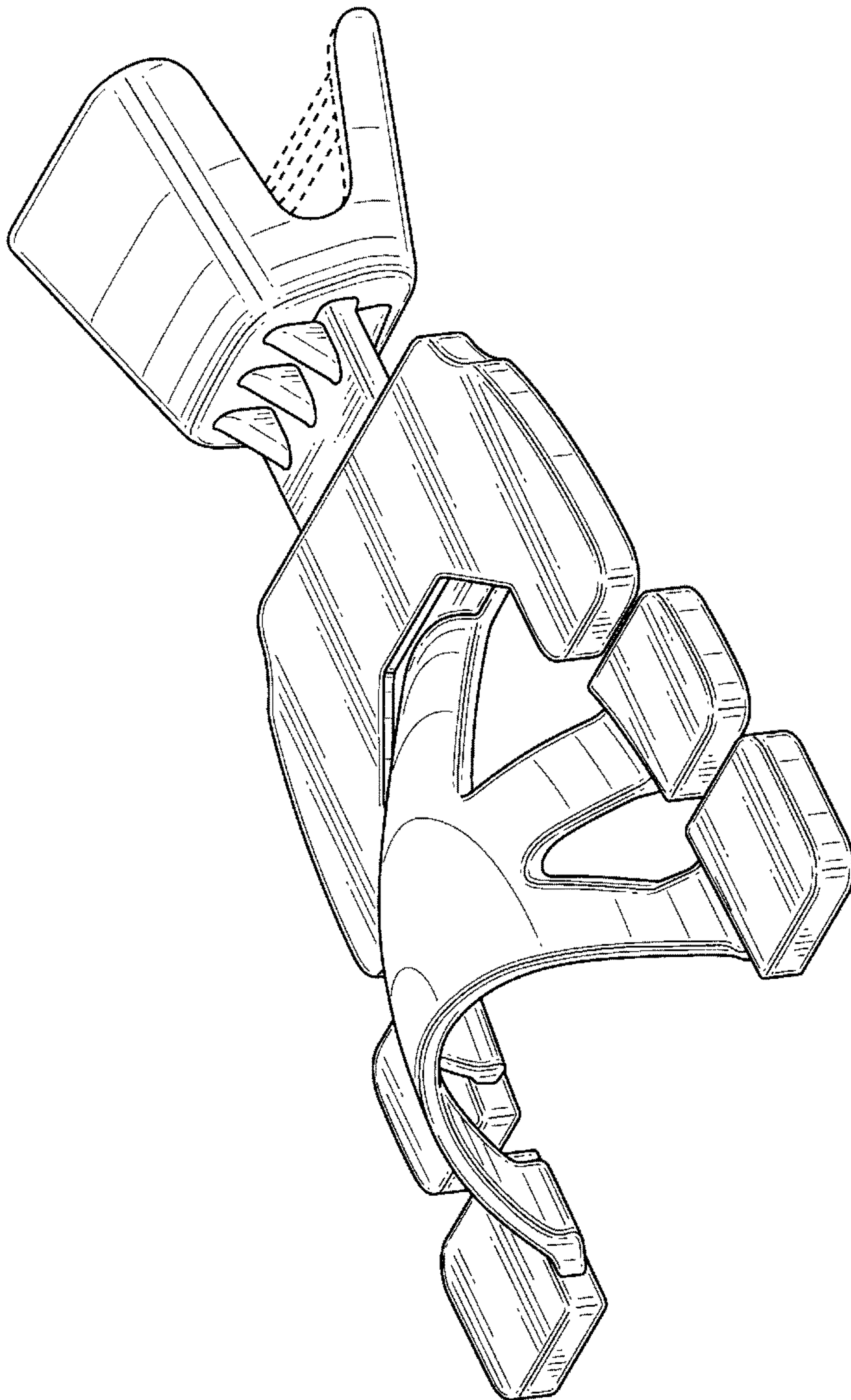


FIG. 1

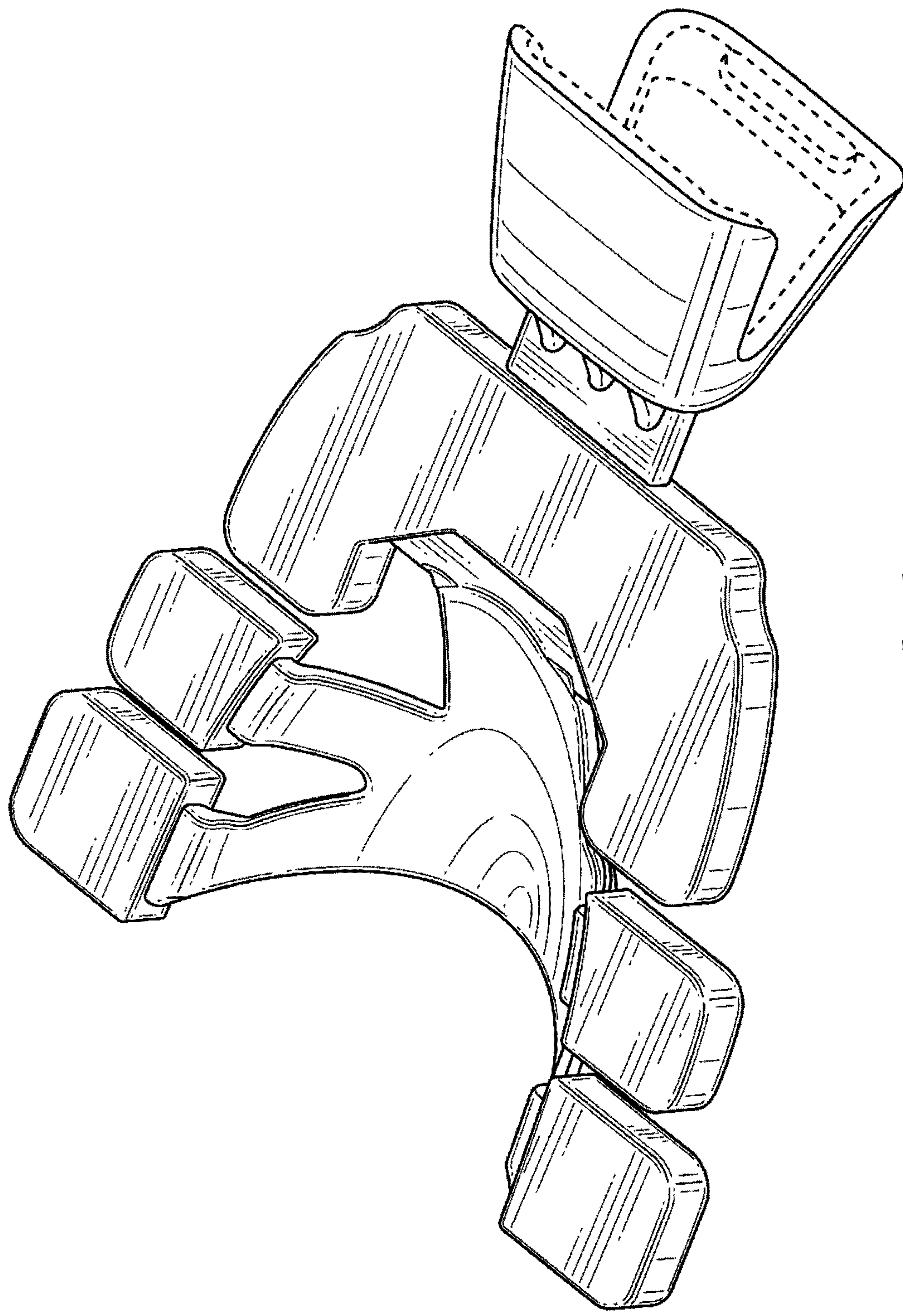


FIG. 2

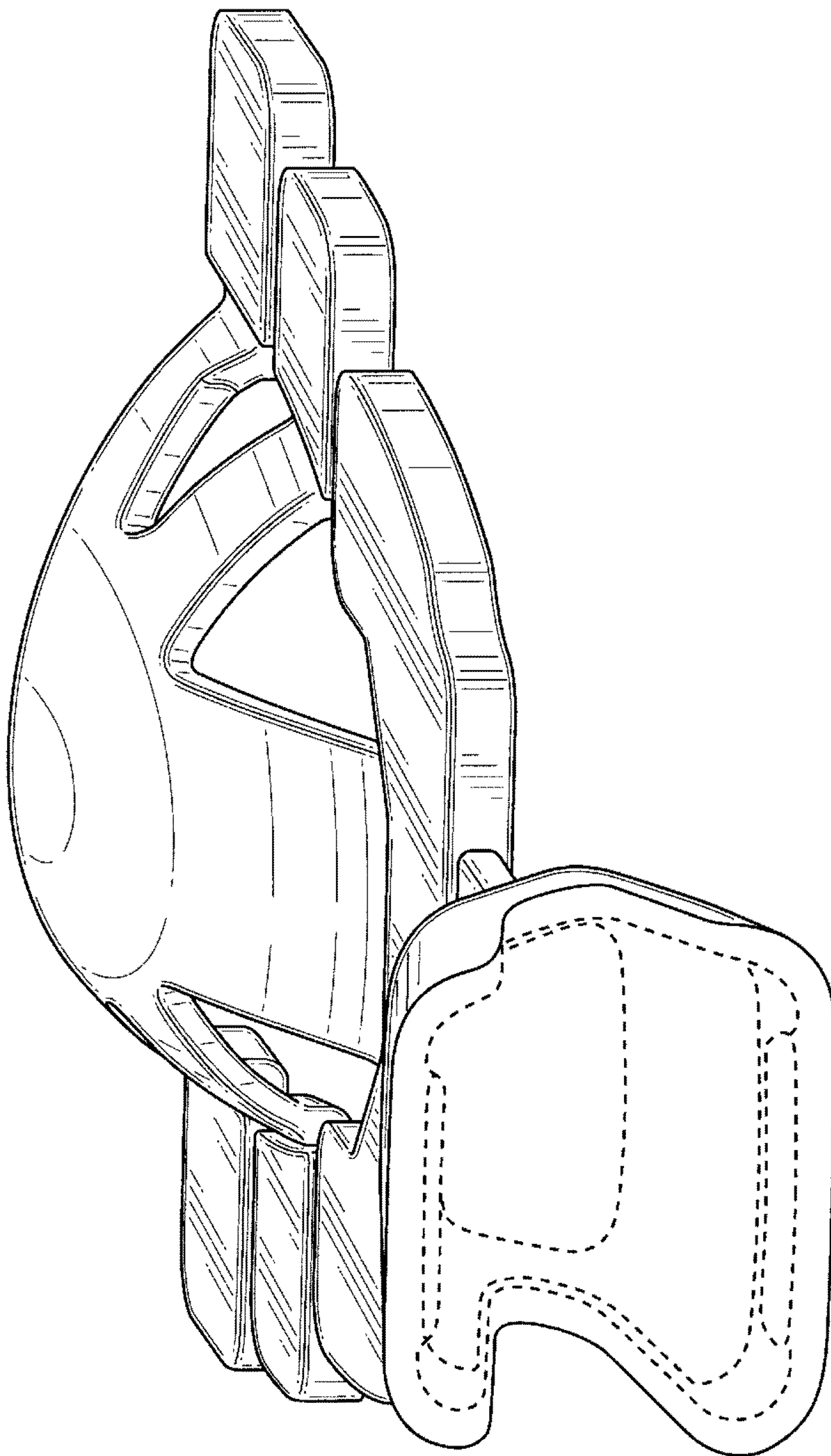


FIG. 3

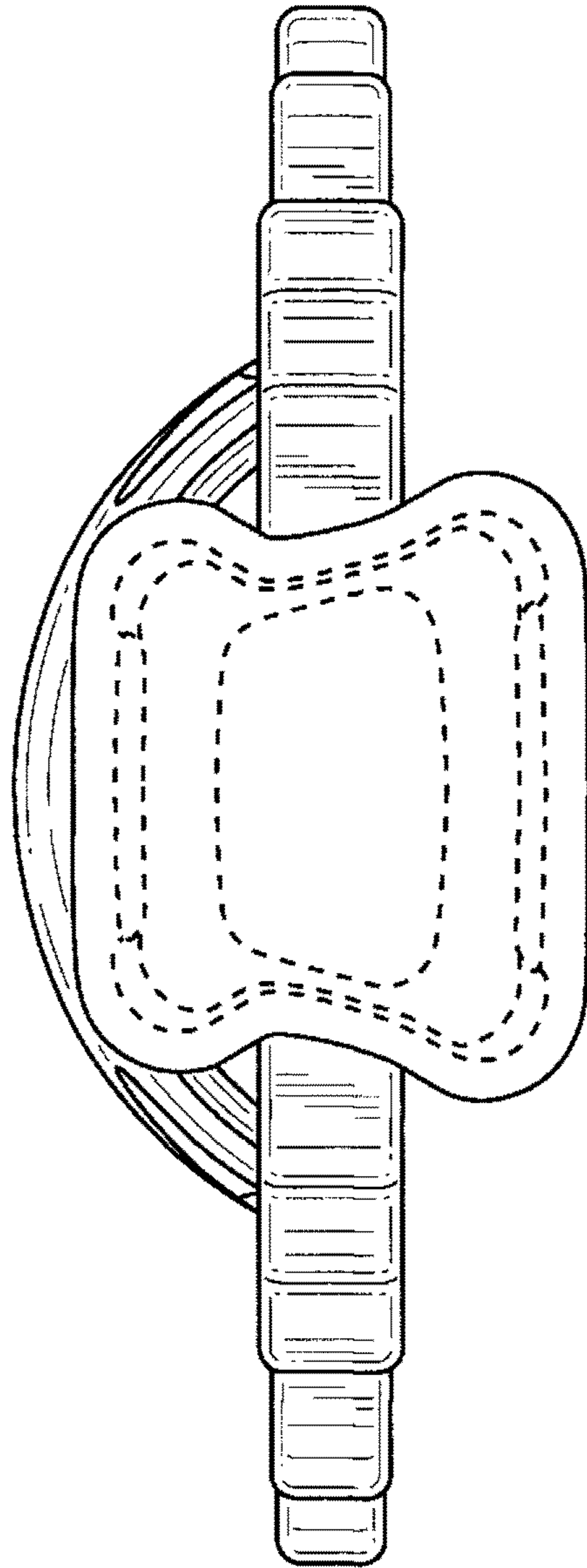


FIG. 4

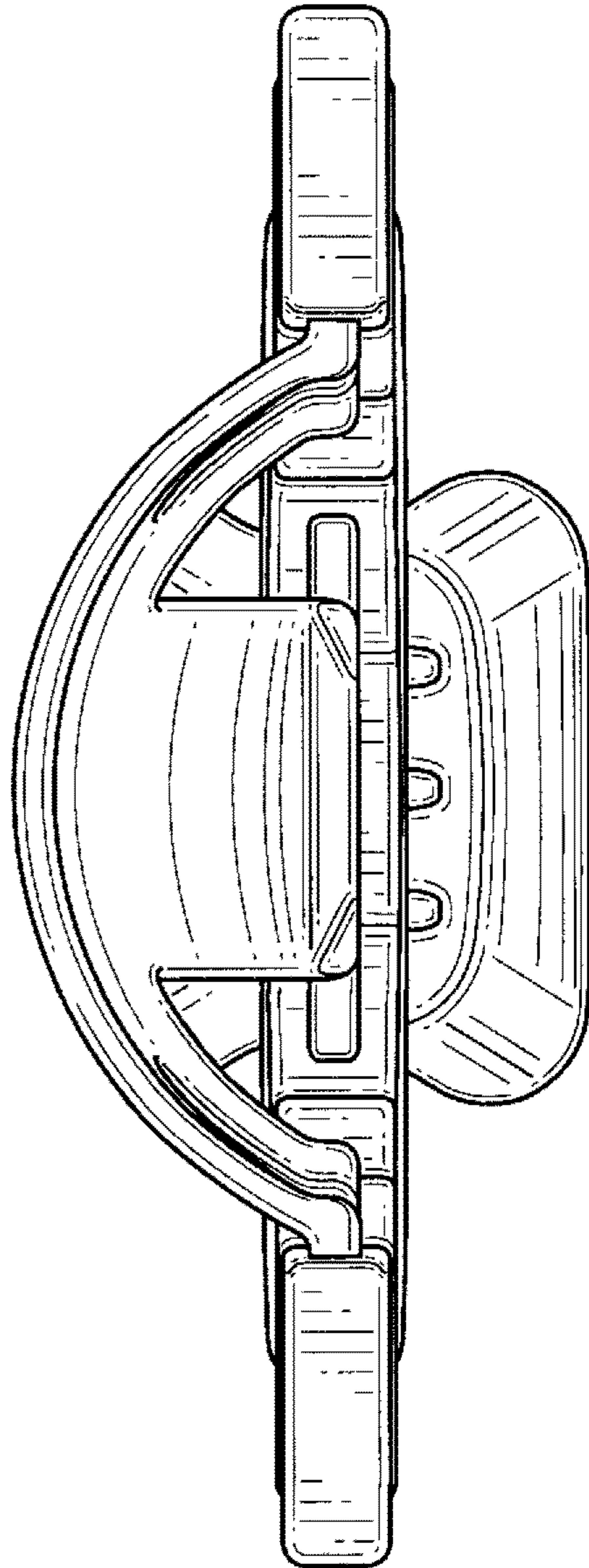


FIG. 5

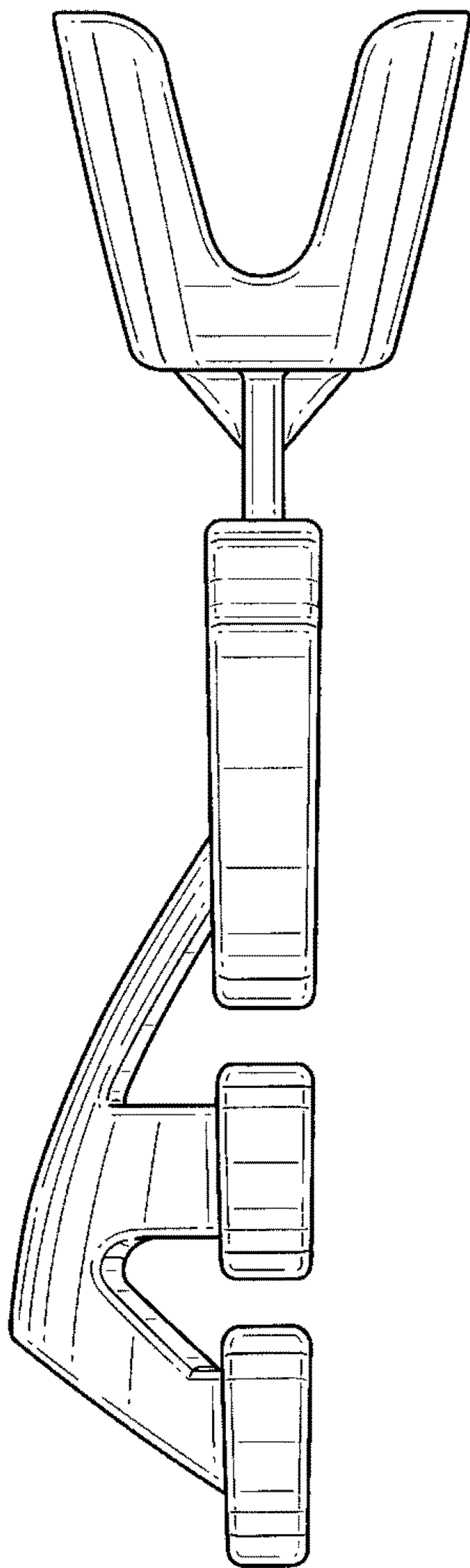


FIG. 6

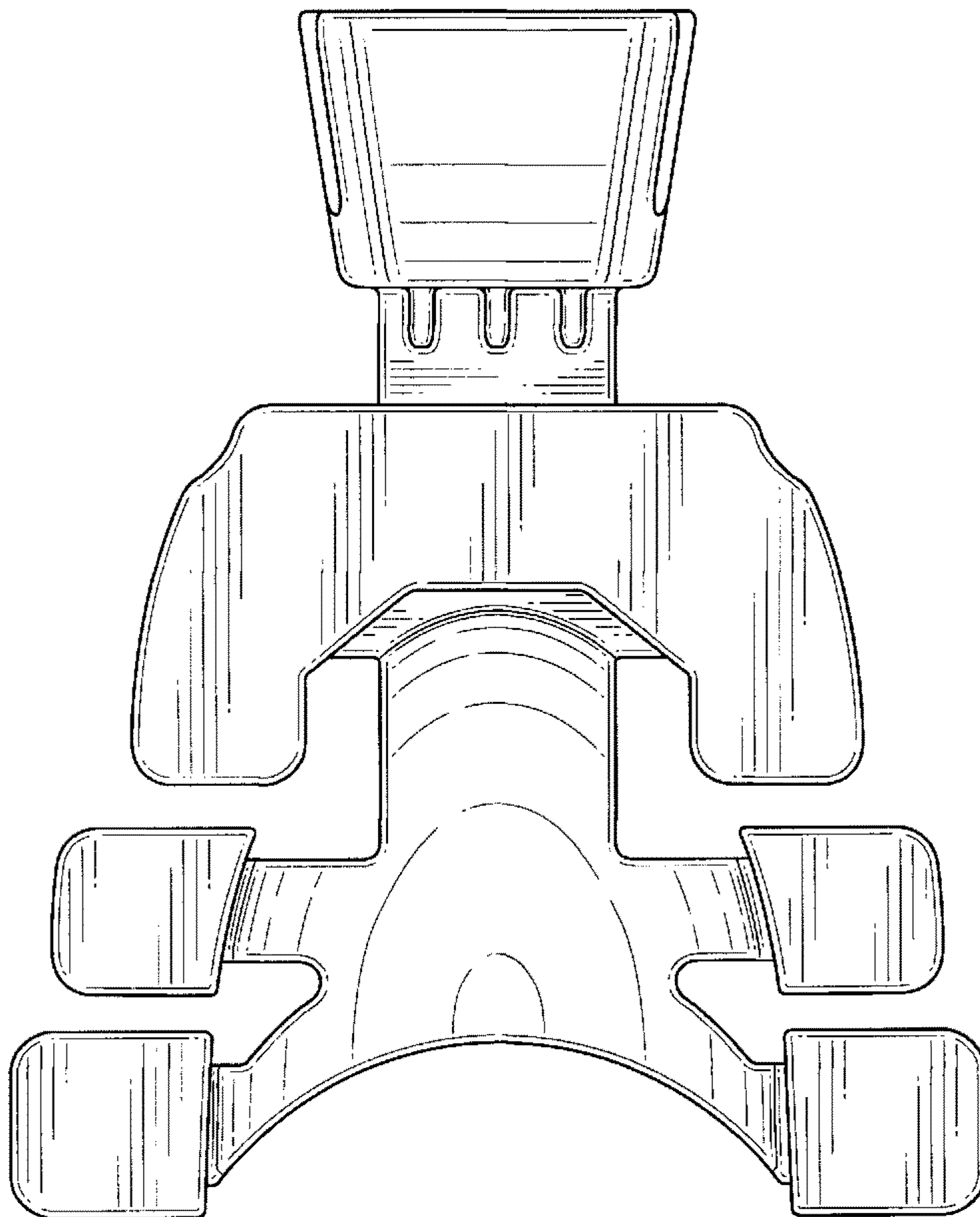


FIG. 7

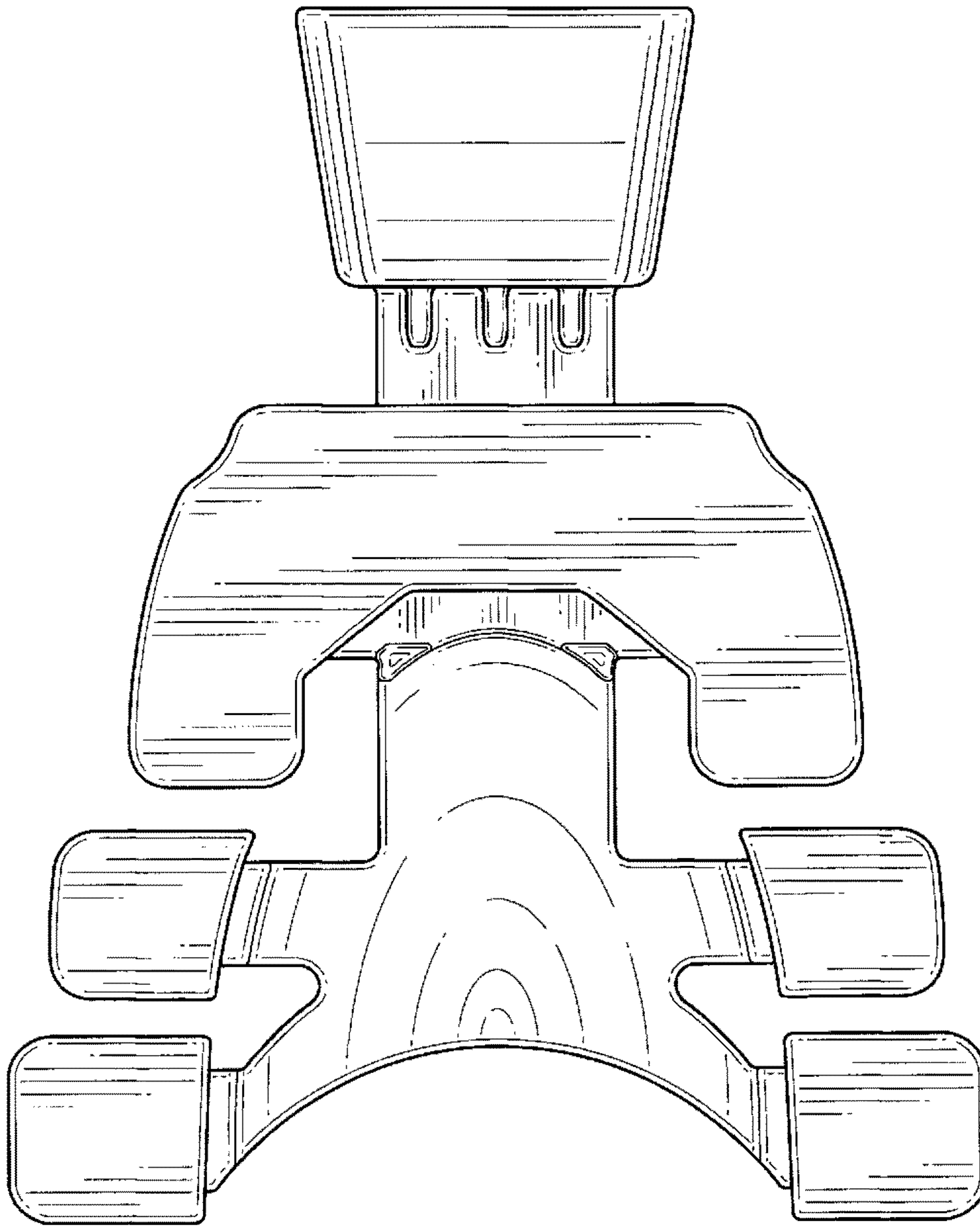


FIG. 8