



US00D839433S

(12) **United States Design Patent**
Christmas

(10) **Patent No.:** **US D839,433 S**

(45) **Date of Patent:** **** Jan. 29, 2019**

(54) **DEFIBRILLATOR WITH COVER**

(71) Applicant: **Gregory Christmas**, San Diego, CA
(US)

(72) Inventor: **Gregory Christmas**, San Diego, CA
(US)

(**) Term: **15 Years**

(21) Appl. No.: **29/628,915**

(22) Filed: **Dec. 8, 2017**

(51) **LOC (11) Cl.** **24-01**

(52) **U.S. Cl.**
USPC **D24/167**

(58) **Field of Classification Search**
USPC D24/107, 165, 167, 168, 185, 186, 187,
D24/200; D10/70, 98; D14/341, 440,
D14/449, 450
CPC A61N 1/39; A61N 1/3925; A61N 1/3968;
A61N 1/3987; A61N 1/3993
See application file for complete search history.

(56) **References Cited**

U.S. PATENT DOCUMENTS

D305,648 S * 1/1990 Edington D14/239
5,894,878 A * 4/1999 Morgan G06F 1/1607
160/352

D410,450 S * 6/1999 Solero D14/450
D454,882 S * 3/2002 Jung D14/450
D614,772 S * 4/2010 Buchanan D24/167
D774,036 S * 12/2016 Kuntz D14/440
D781,863 S * 3/2017 Lai D14/440
D803,212 S * 11/2017 Smit D14/348

* cited by examiner

Primary Examiner — Anhdao Doan

(74) *Attorney, Agent, or Firm* — Lewis Roca Rothgerber
Christie LLP

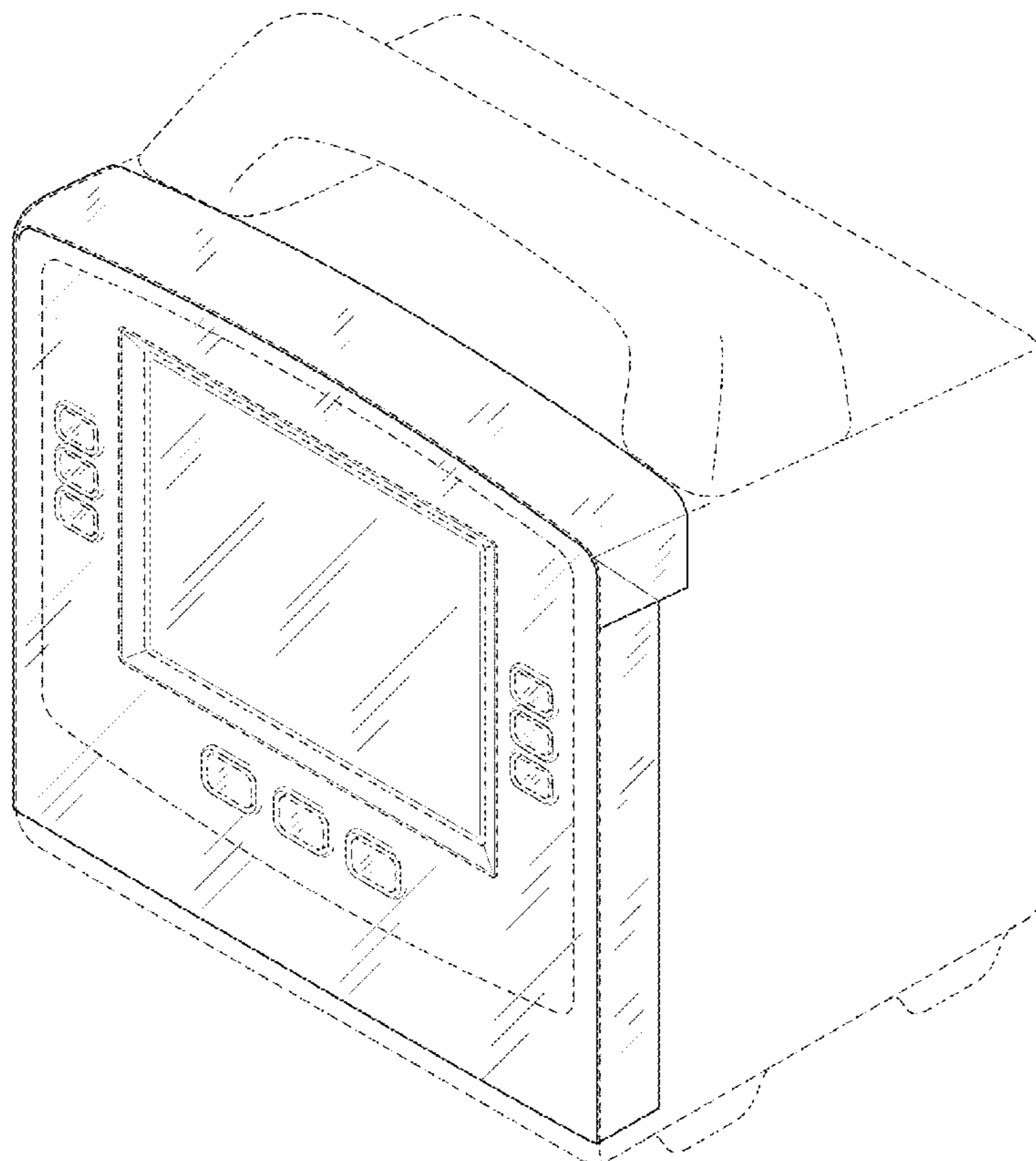
(57) **CLAIM**

The ornamental design for a defibrillator with cover, as
shown and described.

DESCRIPTION

FIG. 1 is a perspective view of a defibrillator with cover;
FIG. 2 is a front view thereof;
FIG. 3 is a left-side view thereof, the right-side view being
a mirror image thereof;
FIG. 4 is a rear view thereof;
FIG. 5 is a top view thereof; and,
FIG. 6 is a bottom view thereof.
The oblique lines in FIGS. 1-3 and 5 indicate transparency
of the cover, and the broken lines in the Figures indicate
unclaimed environmental structures.

1 Claim, 5 Drawing Sheets



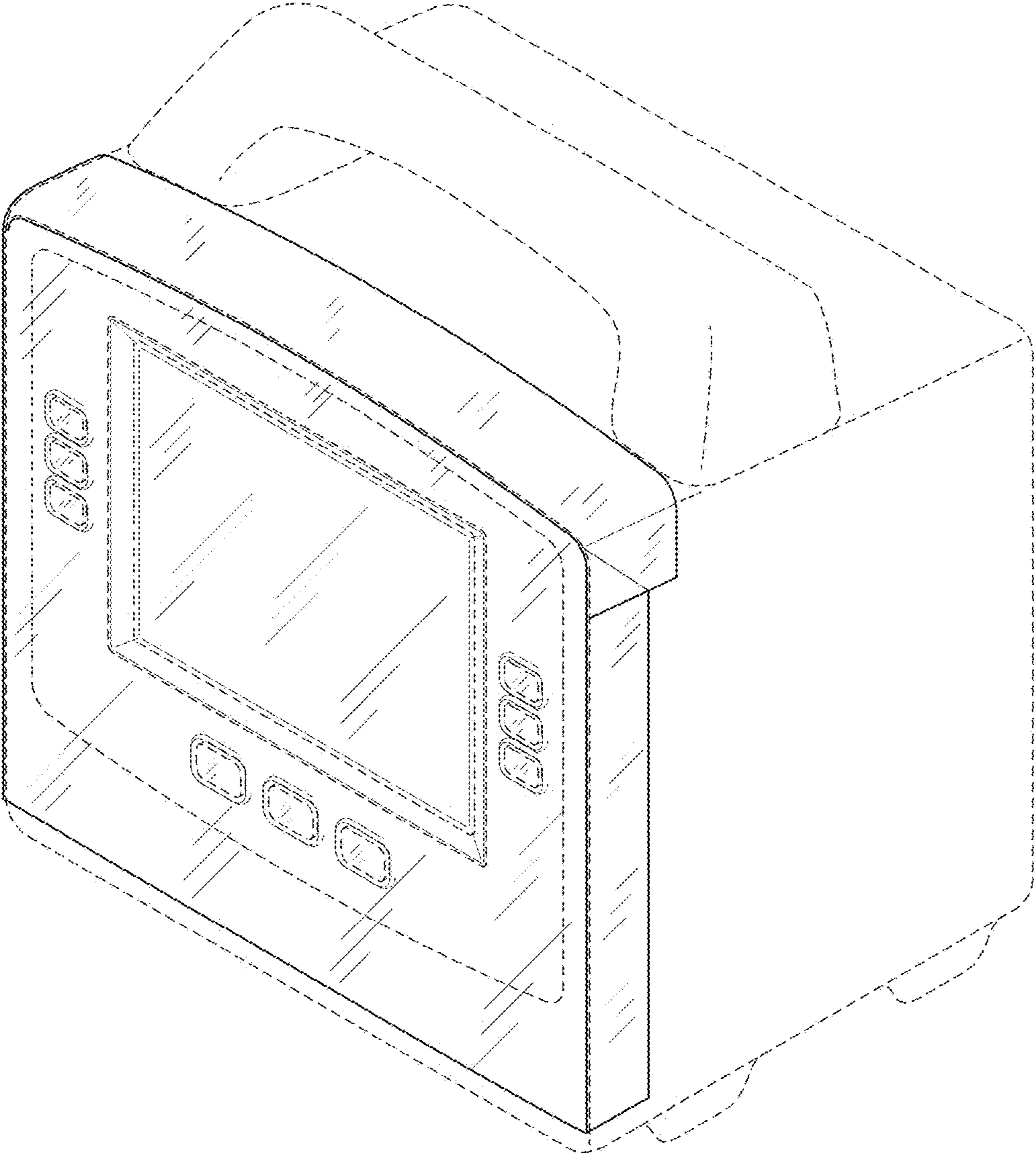


FIG. 1

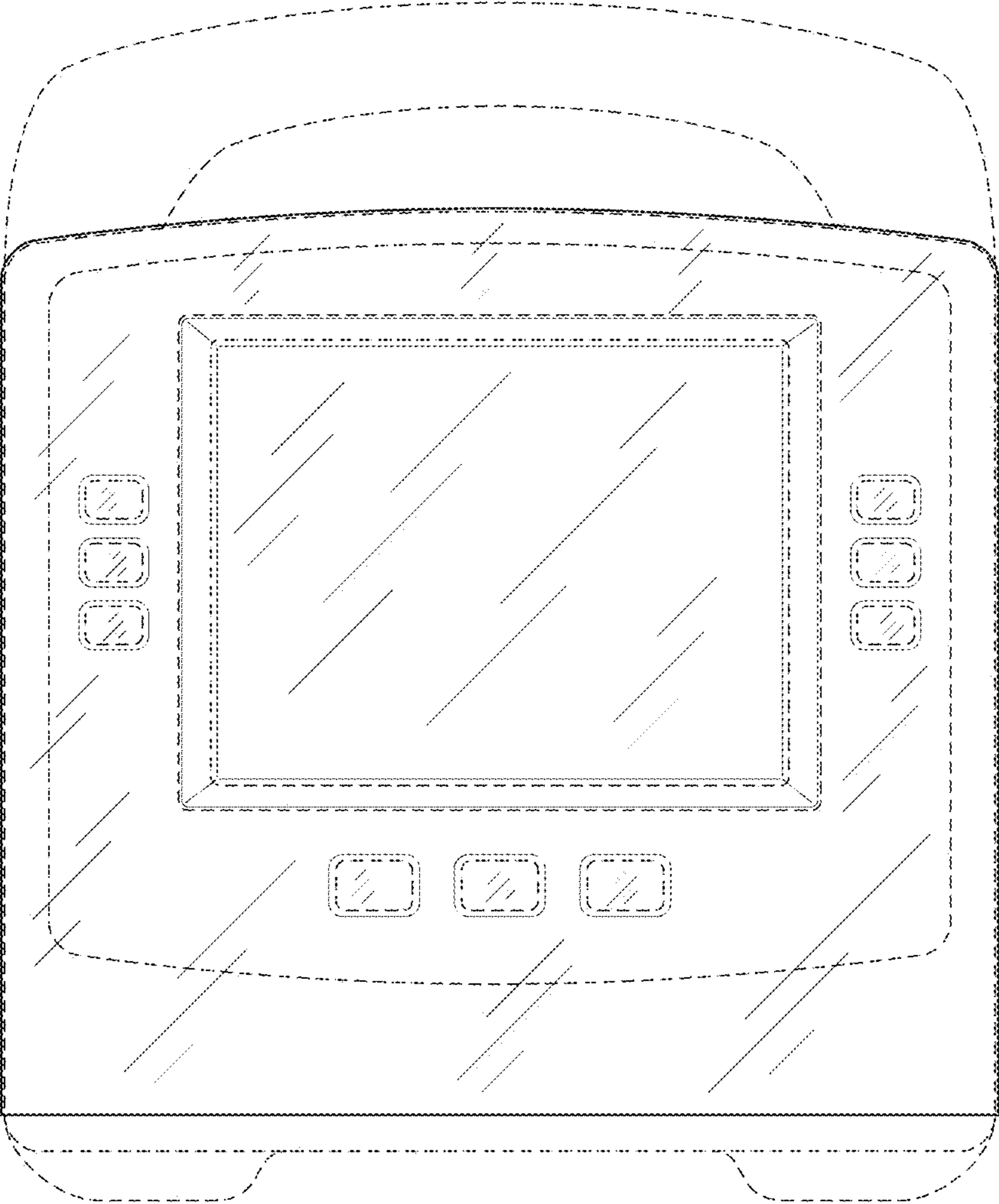


FIG. 2

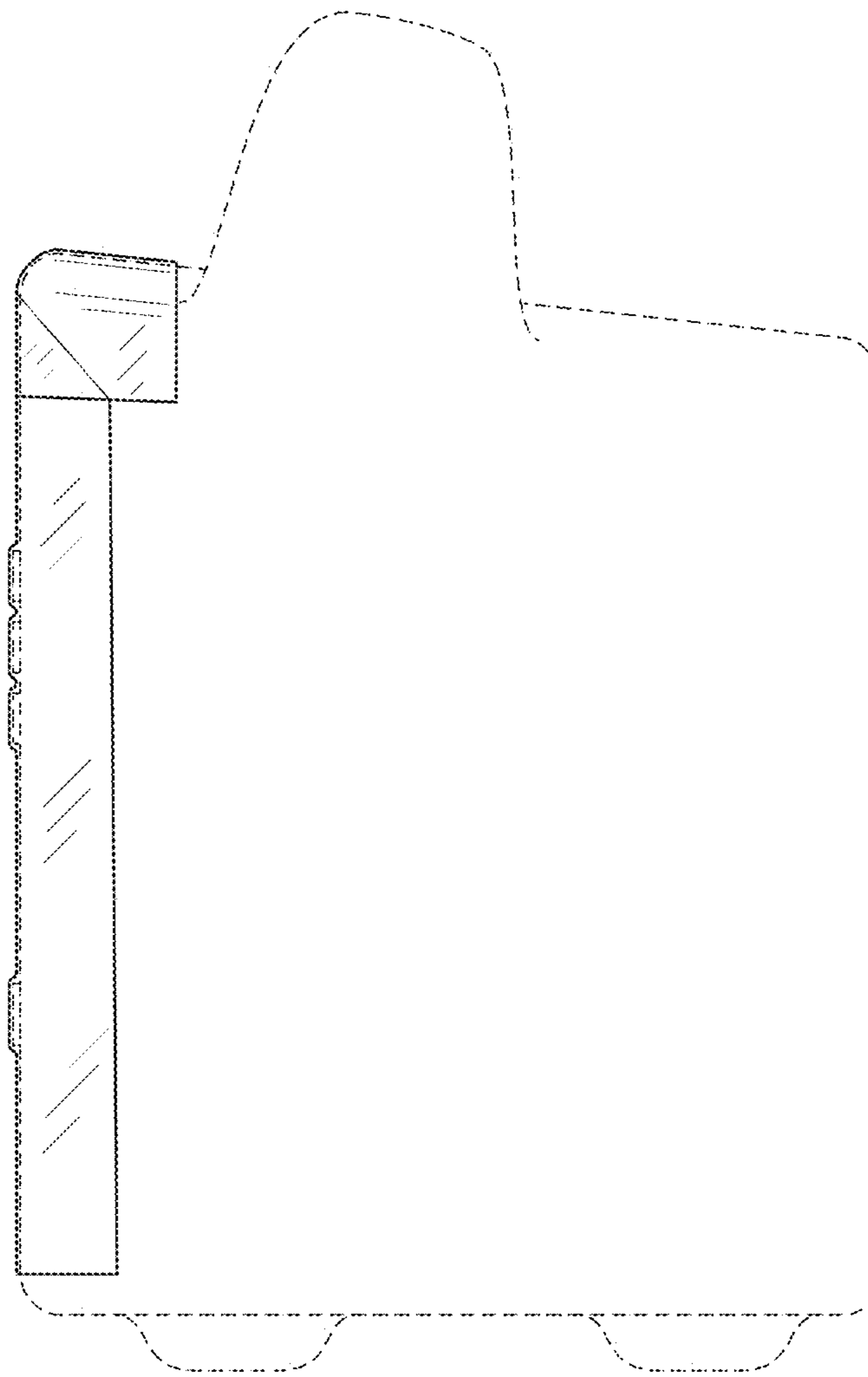


FIG. 3

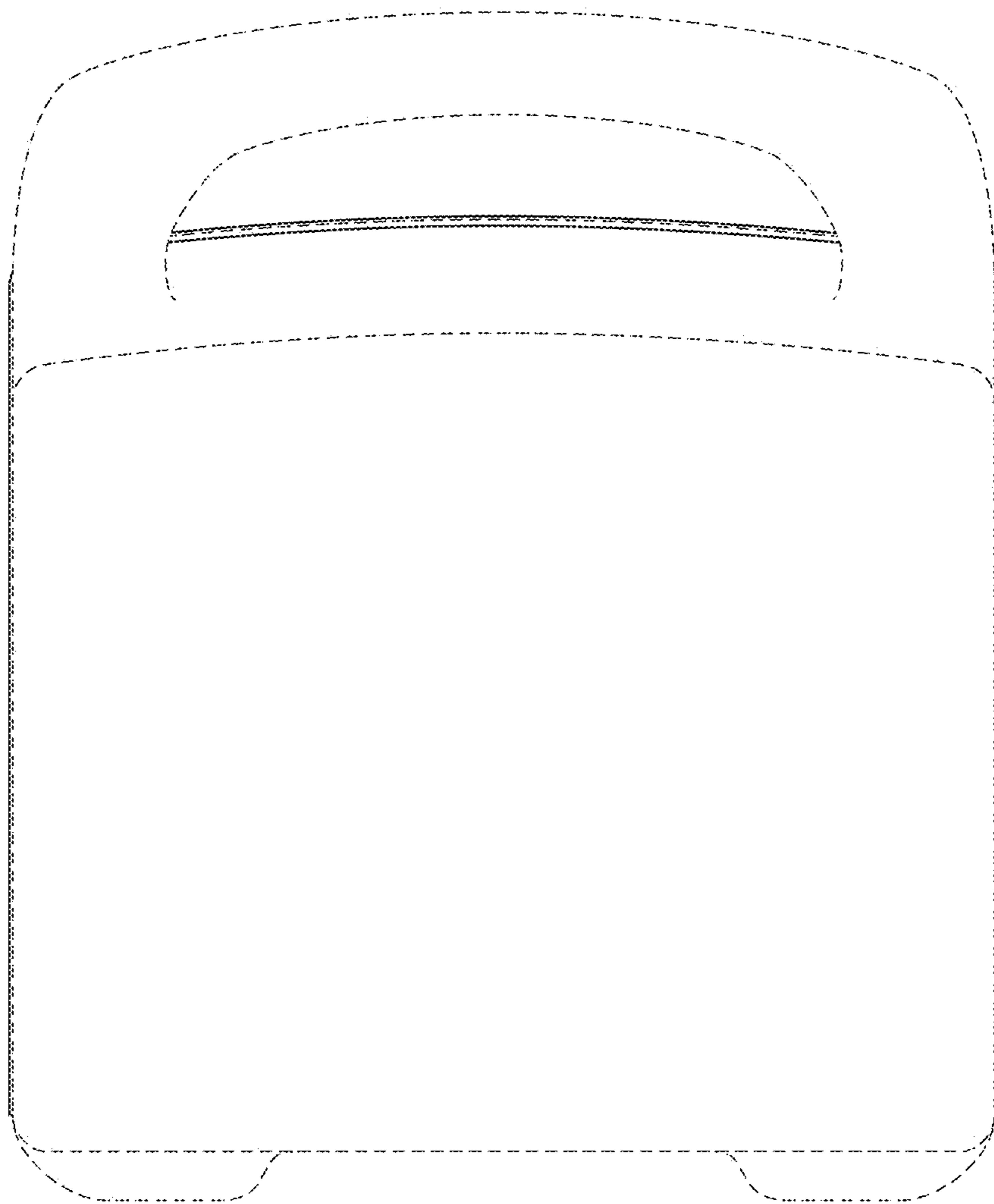


FIG. 4

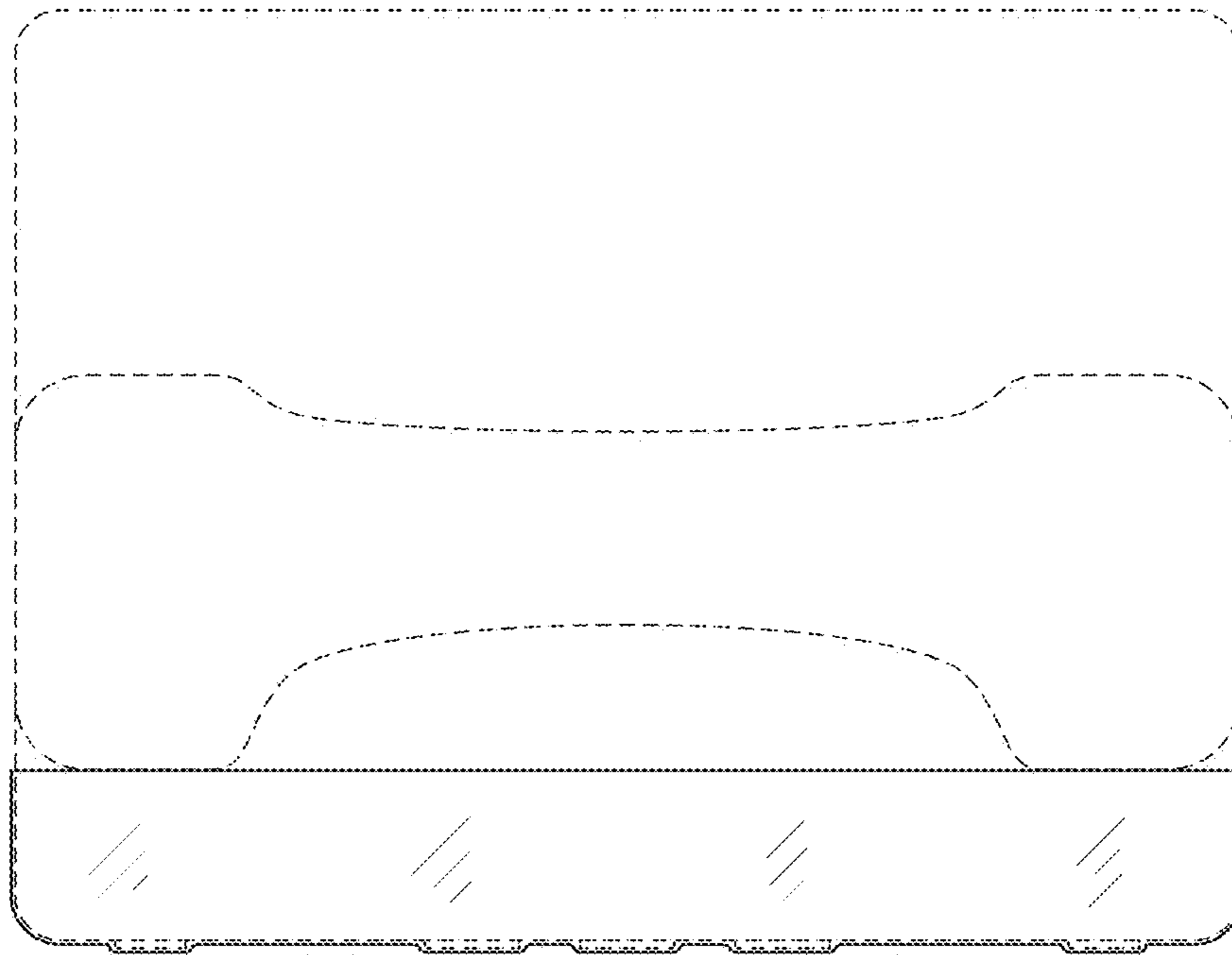


FIG. 5

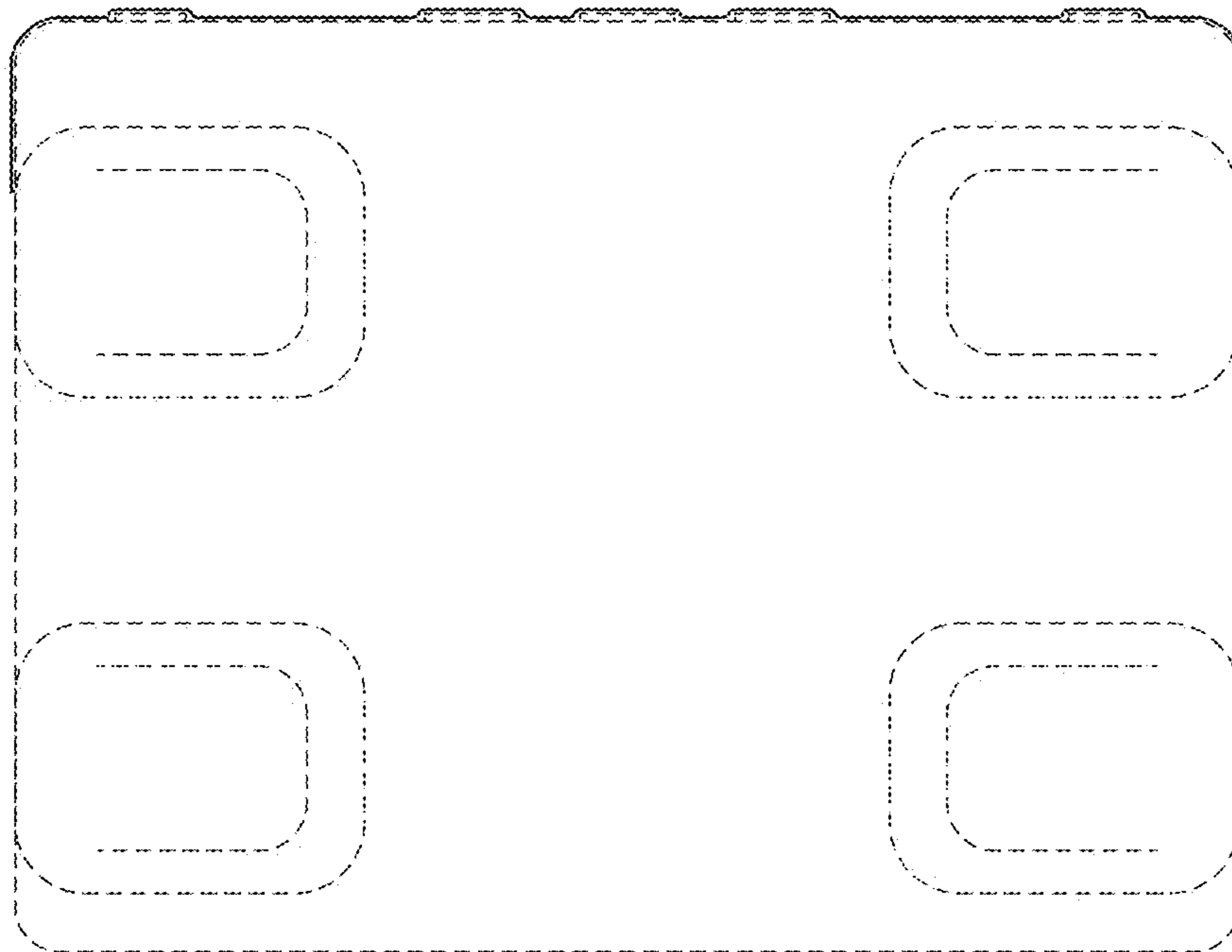


FIG. 6