



US00D839431S

(12) **United States Design Patent** (10) **Patent No.:** **US D839,431 S**
Morreale et al. (45) **Date of Patent:** **** Jan. 29, 2019**

(54) **MRI SCANNER**
(71) Applicant: **Synaptive Medical (Barbados) Inc.**,
Bridgetown (BB)
(72) Inventors: **Mark Tullio Morreale**, Toronto (CA);
William Wai-Leung Lau, Toronto
(CA); **Daniel Gavin Harrison**, Toronto
(CA)

(73) Assignee: **SYNAPTIVE MEDICAL (Barbados) Inc.**,
Bridgetown (BB)

(**) Term: **15 Years**

(21) Appl. No.: **29/577,569**

(22) Filed: **Sep. 14, 2016**

(51) **LOC (11) Cl.** **24-01**
(52) **U.S. Cl.**

USPC **D24/159**; D24/158

(58) **Field of Classification Search**

USPC D24/158-161, 185, 186, 107; 378/4, 15,
378/17, 20, 21, 23-27, 68, 146, 195-198,
378/57; 600/410, 421, 422
CPC .. A61B 5/05; A61B 5/055; A61B 6/03; A61B
6/035

See application file for complete search history.

(56) **References Cited**

U.S. PATENT DOCUMENTS

D700,968 S *	3/2014	Delaey	D24/159
D702,352 S *	4/2014	Yokoyama	D24/158
D738,505 S *	9/2015	Eberler	D24/158
D752,223 S *	3/2016	Park	D24/158
D758,587 S *	6/2016	Eberler	D24/158
D770,624 S *	11/2016	Yao	D24/158
D783,830 S *	4/2017	Baba	D24/158
D785,181 S *	4/2017	Grosshauser	D24/158
D794,798 S *	8/2017	Grosshauser	D24/158

2010/0310304 A1* 12/2010 Kasper G01R 33/3802
403/16
2012/0140899 A1* 6/2012 Bailey A61B 6/035
378/198
2013/0184564 A1* 7/2013 Ninomiya A61B 5/0555
600/415

FOREIGN PATENT DOCUMENTS

CN 304204237 * 7/2017

* cited by examiner

Primary Examiner — Anhdao Doan

Assistant Examiner — Mary S Malley

(74) *Attorney, Agent, or Firm* — Perry + Currier Inc.

(57) **CLAIM**

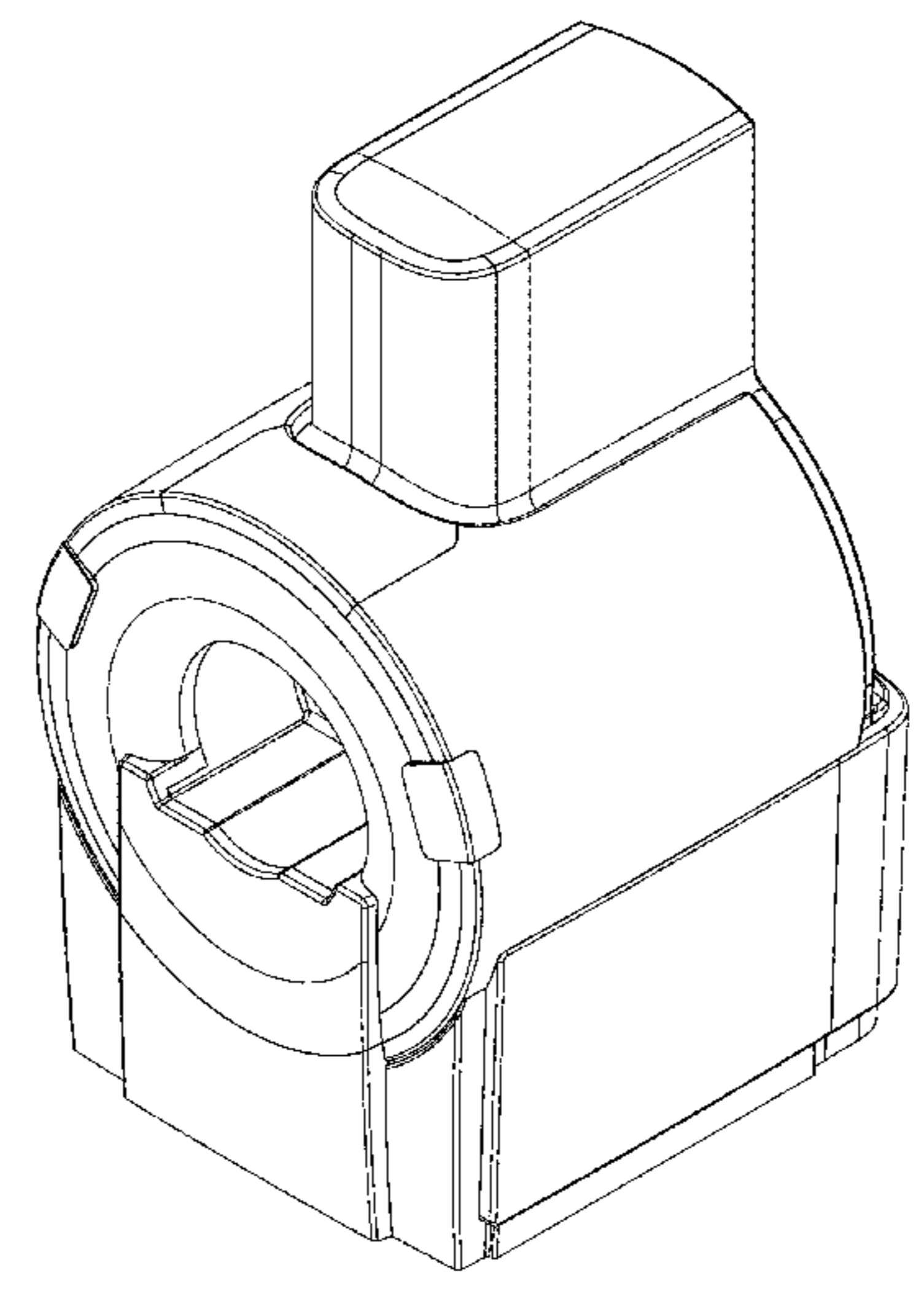
The ornamental design for an MRI scanner, as shown and described.

DESCRIPTION

FIG. 1 is a front perspective view of an MRI scanner, showing our new design;
FIG. 2 is a front elevation view thereof;
FIG. 3 is a rear elevation view thereof;
FIG. 4 is a top plan view thereof;
FIG. 5 is a bottom plan view thereof;
FIG. 6 is a left side elevation view thereof;
FIG. 7 is a right side elevation view thereof; and,
FIG. 8 is another front perspective view thereof, shown with environment.

The broken lines in FIG. 3 show portions of the MRI scanner that form no part of the claimed design. The broken lines shown in FIG. 8 are directed to environment and form no part of the claimed design.

1 Claim, 8 Drawing Sheets



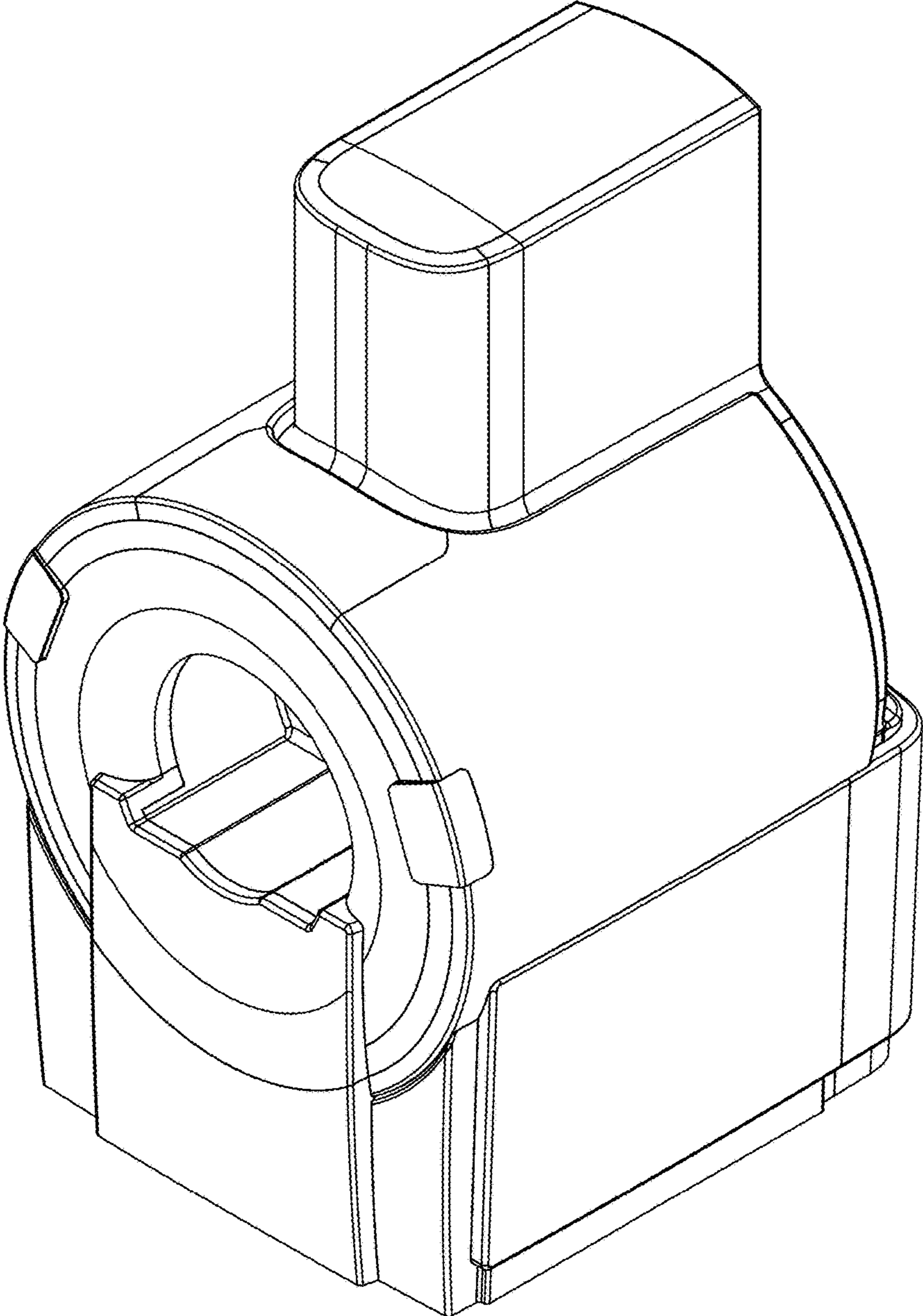


FIG. 1

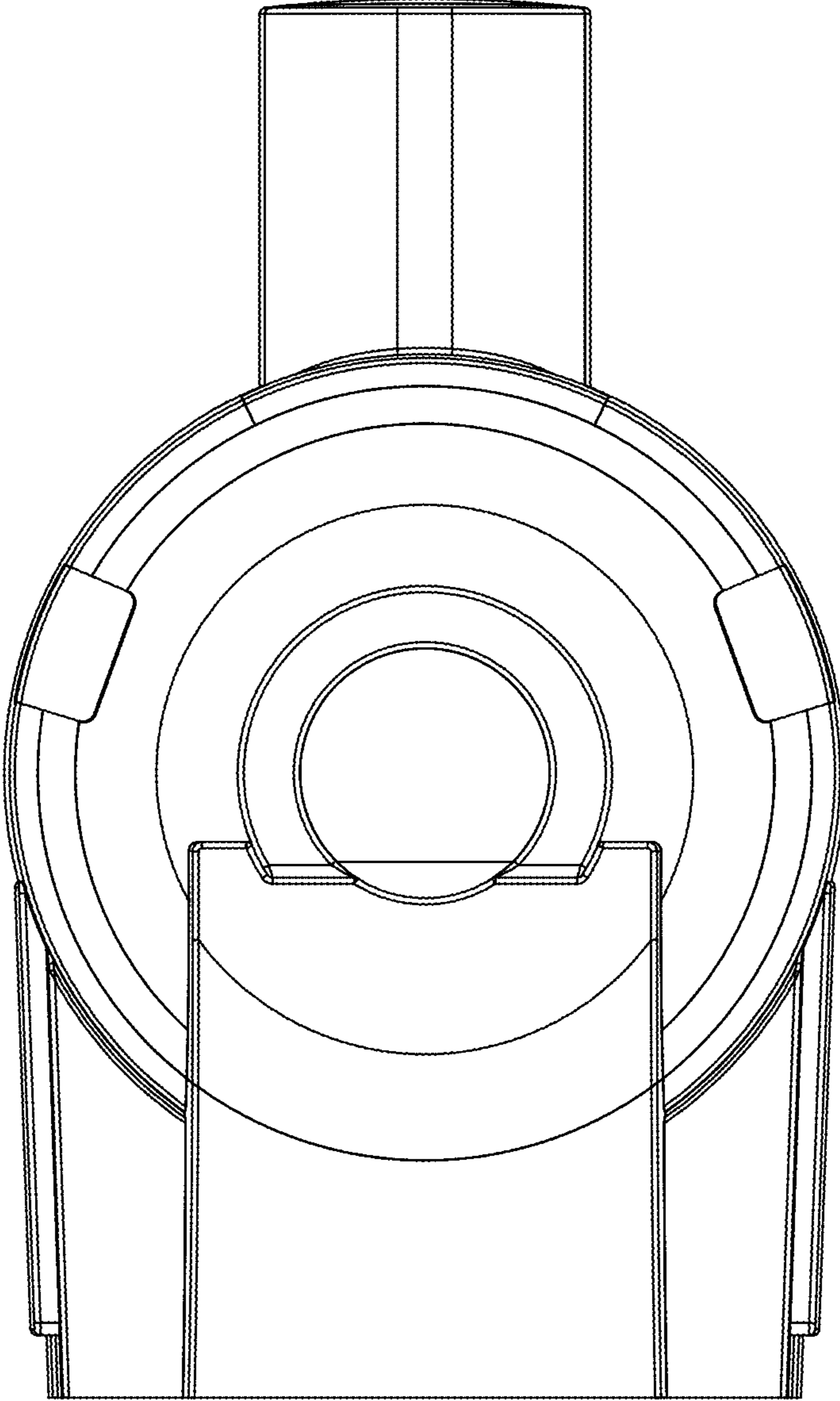


FIG. 2

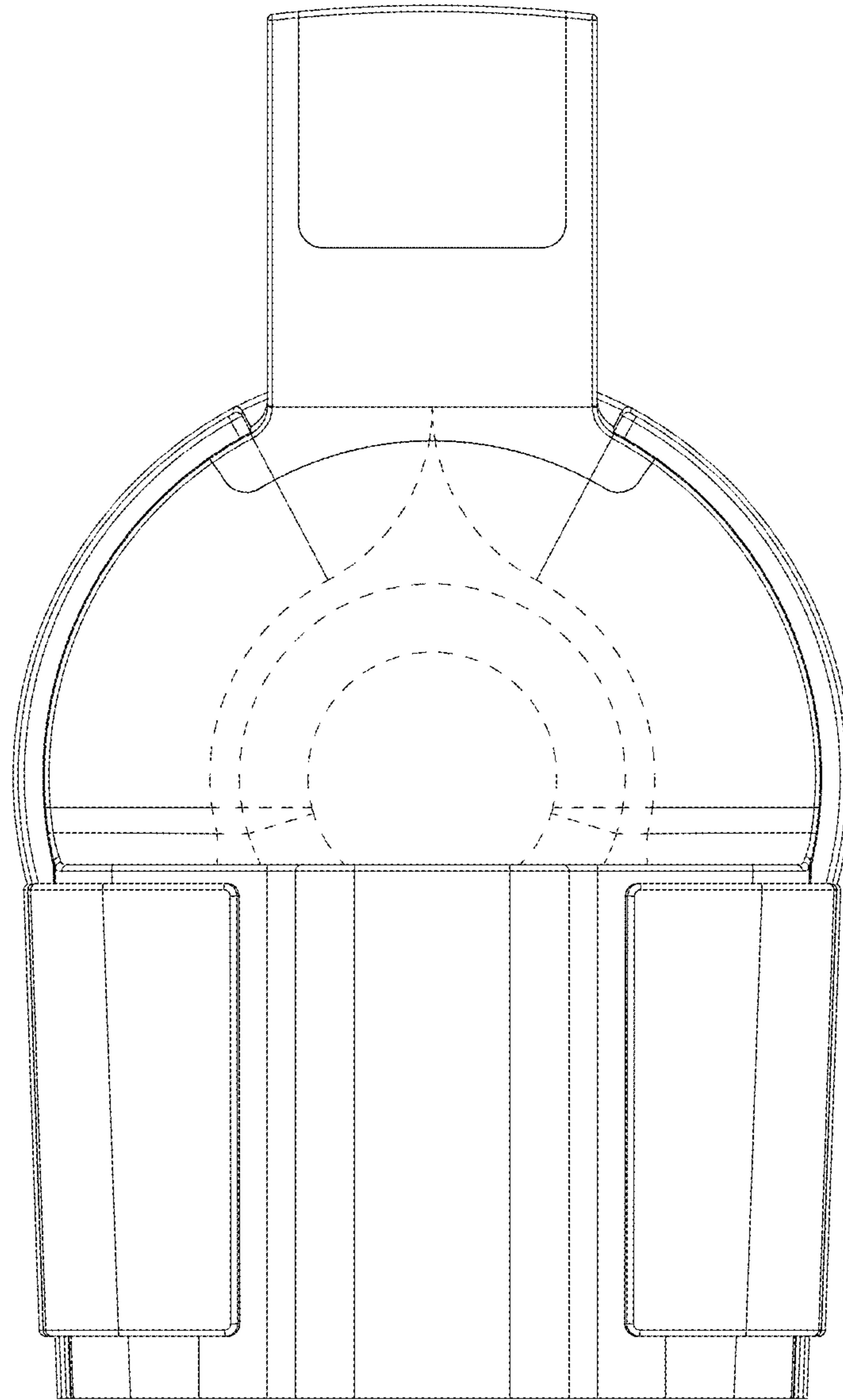


FIG. 3

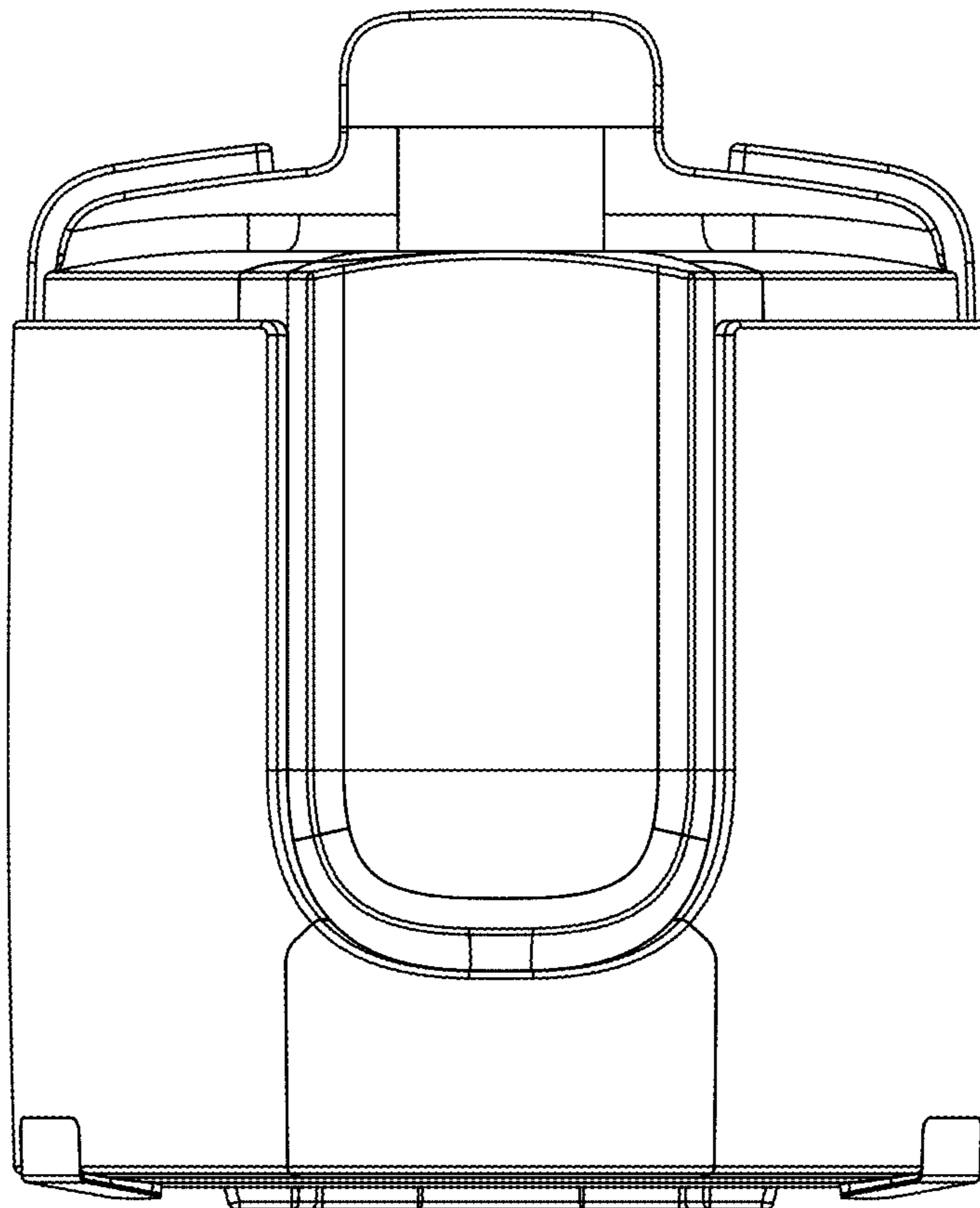


FIG. 4

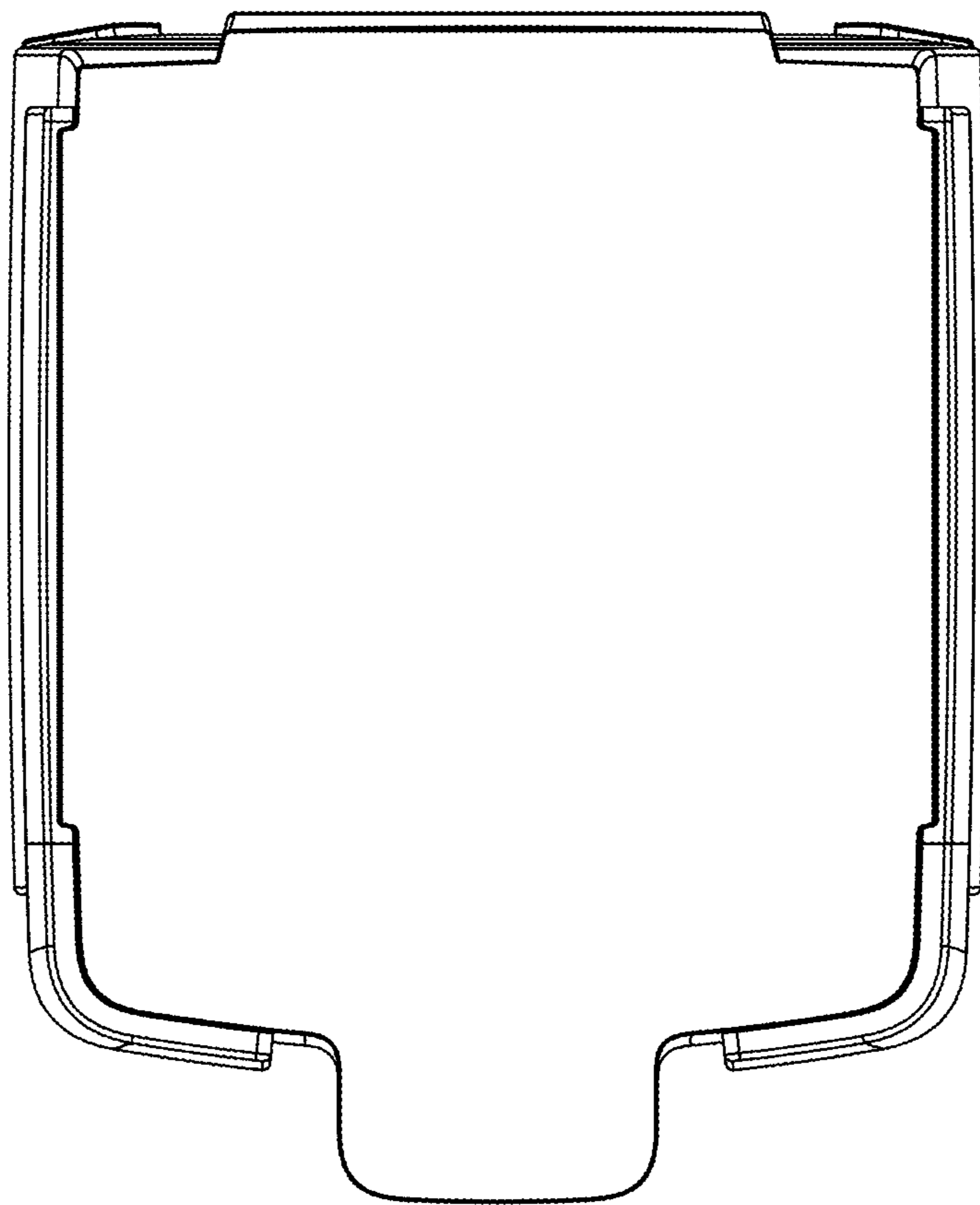


FIG. 5

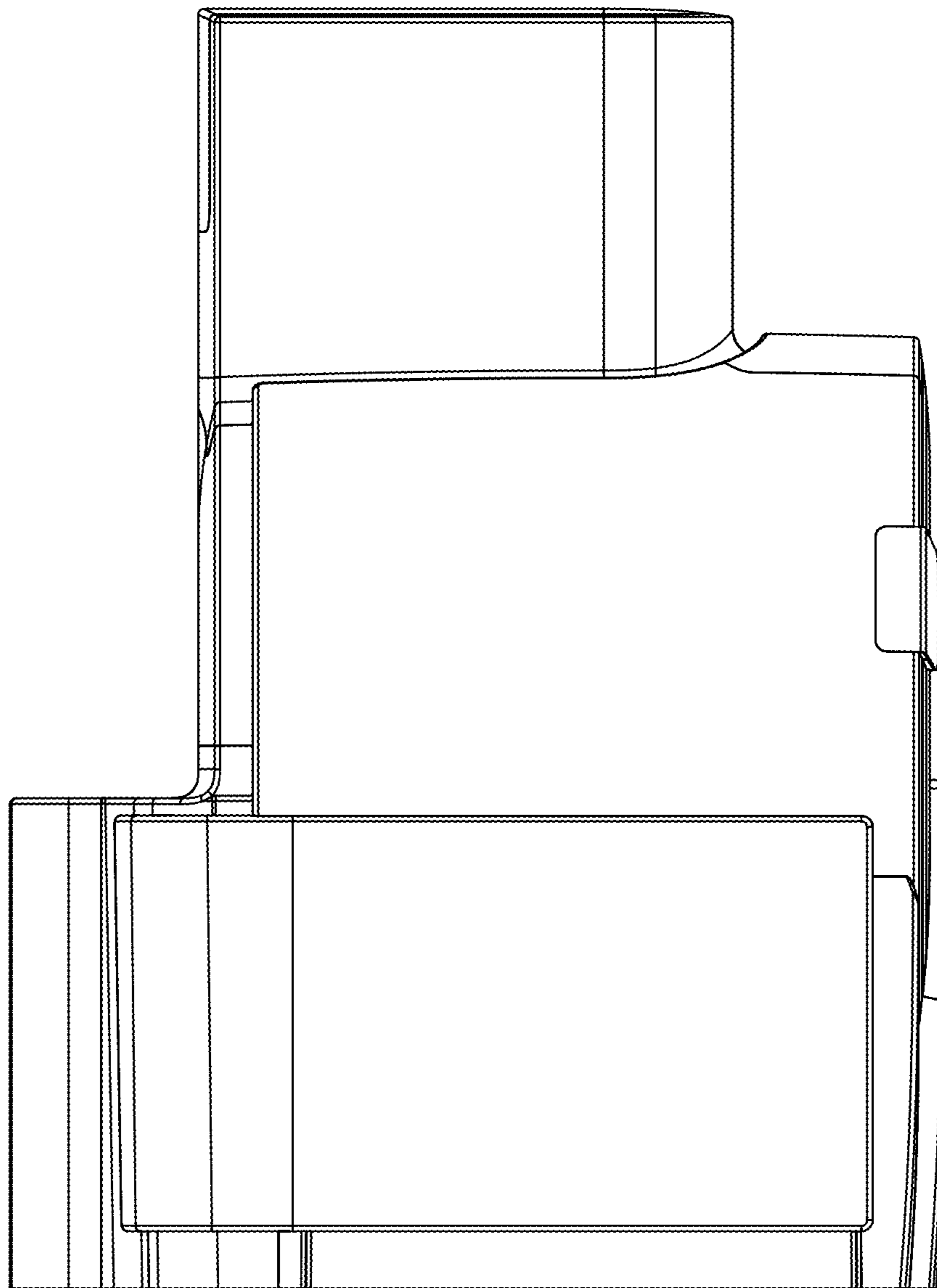


FIG. 6

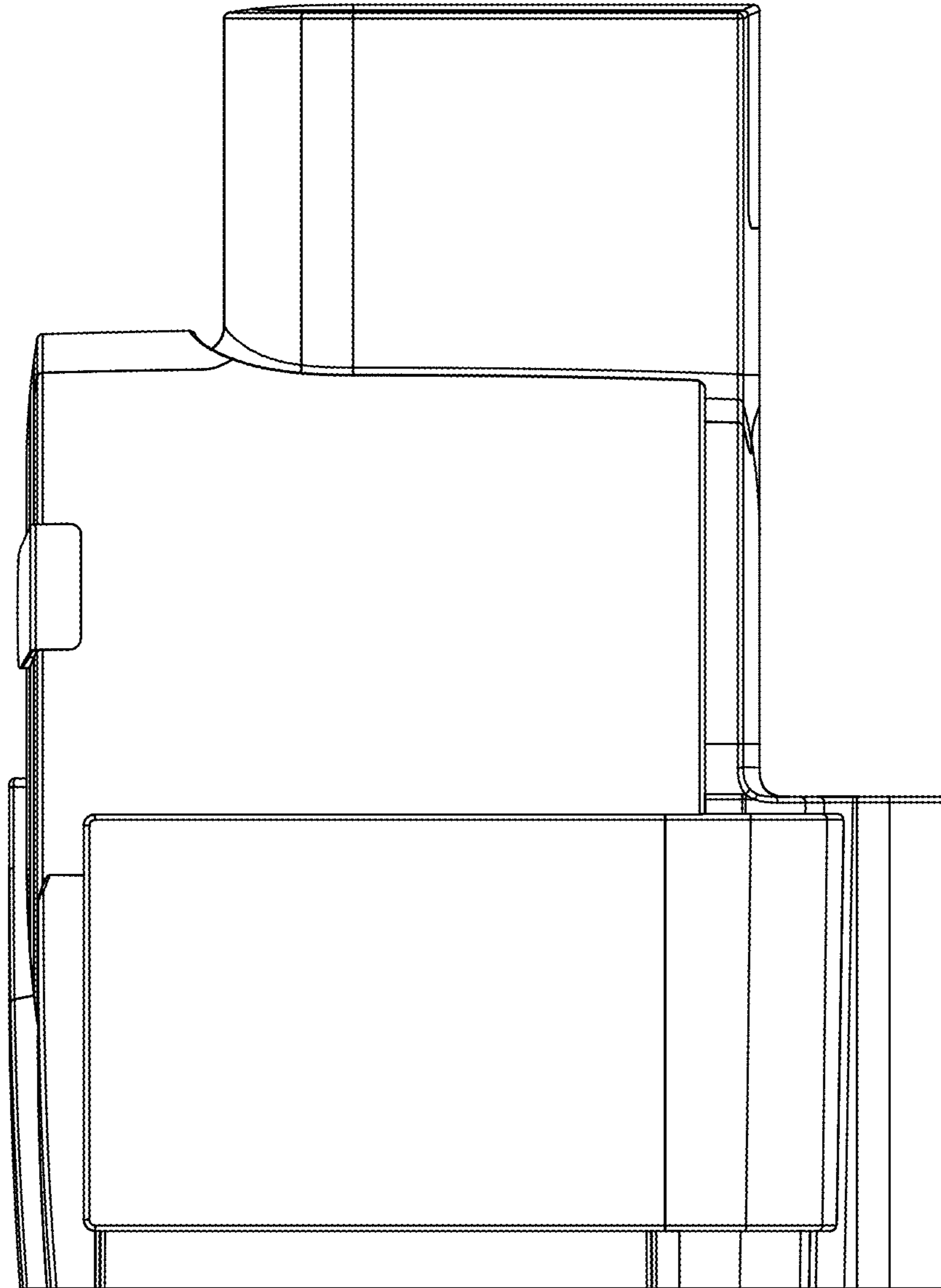


FIG. 7

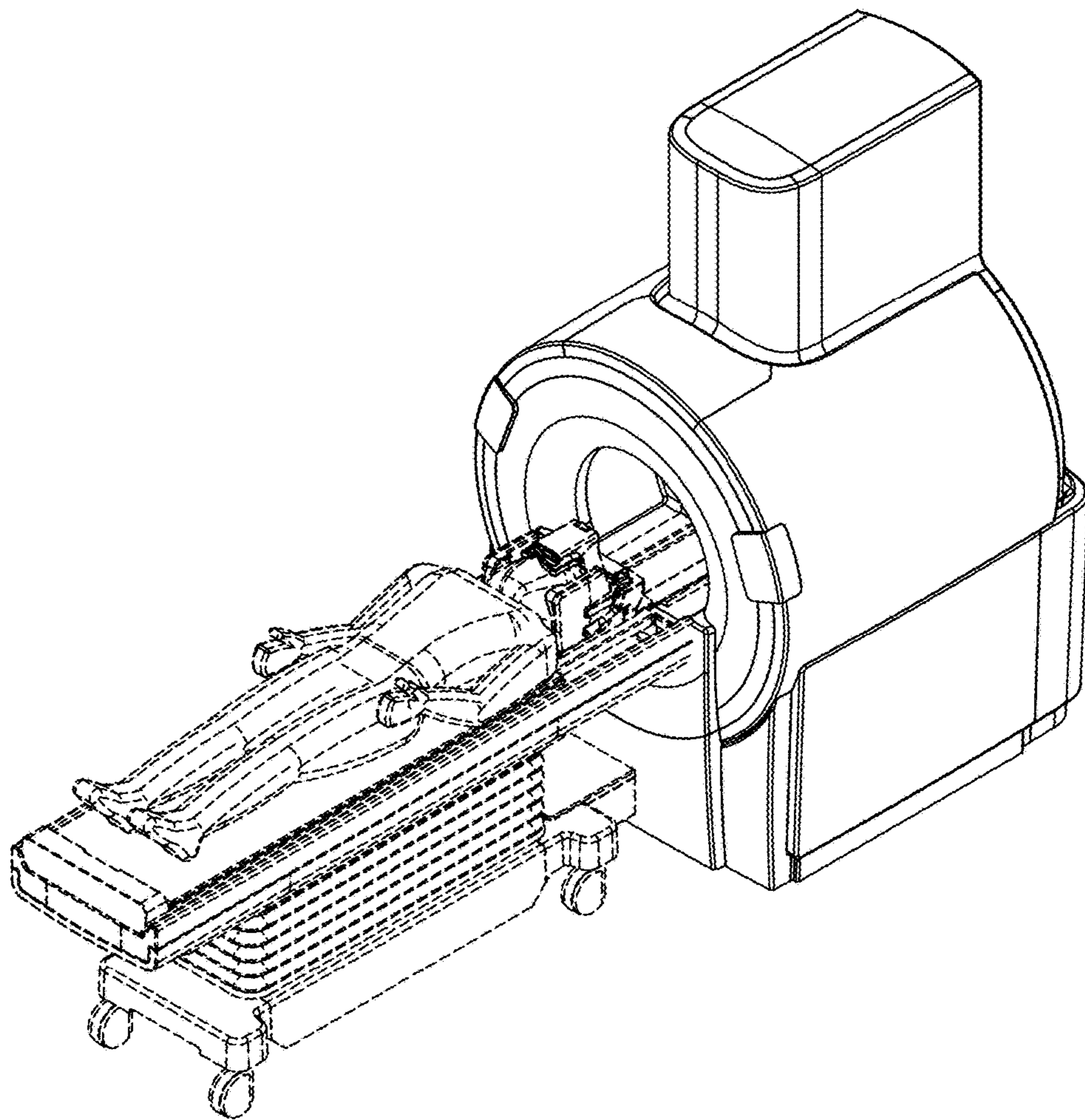


FIG. 8