



US00D839429S

(12) **United States Design Patent**
Diaz Carmena et al.

(10) **Patent No.:** **US D839,429 S**
(45) **Date of Patent:** **** Jan. 29, 2019**

(54) **HANDLE ASSEMBLY FOR A PORTABLE X-RAY DEVICE**

(71) Applicant: **SOCIEDAD ESPANOLA DE ELECTROMEDICINA Y CALIDAD,SA**, Algete (Madrid) (ES)

(72) Inventors: **Angel Diaz Carmena**, Alcorcon (ES); **Jose Garcia Perez**, San Sebastian de los Reyes (ES); **Ildfonso Moreno Vallejo**, Rivasvaciamadrid (ES)

(73) Assignee: **SOCIEDAD ESPANOLA DE ELECTROMEDICINA Y CALIDAD,SA**, Algete (Madrid) (ES)

(**) Term: **15 Years**

(21) Appl. No.: **29/610,327**

(22) Filed: **Jul. 11, 2017**

(51) **LOC (11) Cl.** **24-01**

(52) **U.S. Cl.**
USPC **D24/158**

(58) **Field of Classification Search**
USPC D24/158-161, 185, 186, 107; D10/78; D8/303, 317, 319, 320; D16/130
CPC A61B 6/4405; A61B 6/483; A61B 6/484; A61B 6/485; A61B 6/487; A61B 6/508
See application file for complete search history.

(56) **References Cited**

U.S. PATENT DOCUMENTS

D273,981 S *	5/1984	Kroll	D24/158
D494,074 S *	8/2004	Ishii	D16/130
D582,750 S *	12/2008	Heidrich	D8/316
7,684,544 B2 *	3/2010	Wilson	A61B 6/4233
				378/102
D623,080 S *	9/2010	Nguyen	D10/78
D705,638 S *	5/2014	Aruga	B25G 1/04
				D8/303

D714,446 S *	9/2014	Sul	D24/158
D715,941 S *	10/2014	Li	D24/158
D724,216 S *	3/2015	Gant	D24/158
D758,584 S *	6/2016	Boegel	D24/158
D769,746 S *	10/2016	Houde	D10/78

(Continued)

OTHER PUBLICATIONS

Heska. Printed Oct. 11, 2017. <https://www.heska.com/digital-imaging/equine-digital-x-ray/uno-6.aspx> (2 pages).

(Continued)

Primary Examiner — Anhdao Doan

(74) *Attorney, Agent, or Firm* — Neal, Gerber & Eisenberg LLP; Bradley F. Rademaker; Nawshaba M. Siddiquee

(57) **CLAIM**

The ornamental design for a handle assembly for a portable x-ray device, as shown and described.

DESCRIPTION

FIG. 1 is a perspective view of a handle assembly for a portable x-ray device.

FIG. 2 is a rear view of the handle assembly design shown in FIG. 1.

FIG. 3 is a front view of the handle assembly design shown in FIG. 1.

FIG. 4 is a bottom view of the handle assembly design shown in FIG. 1.

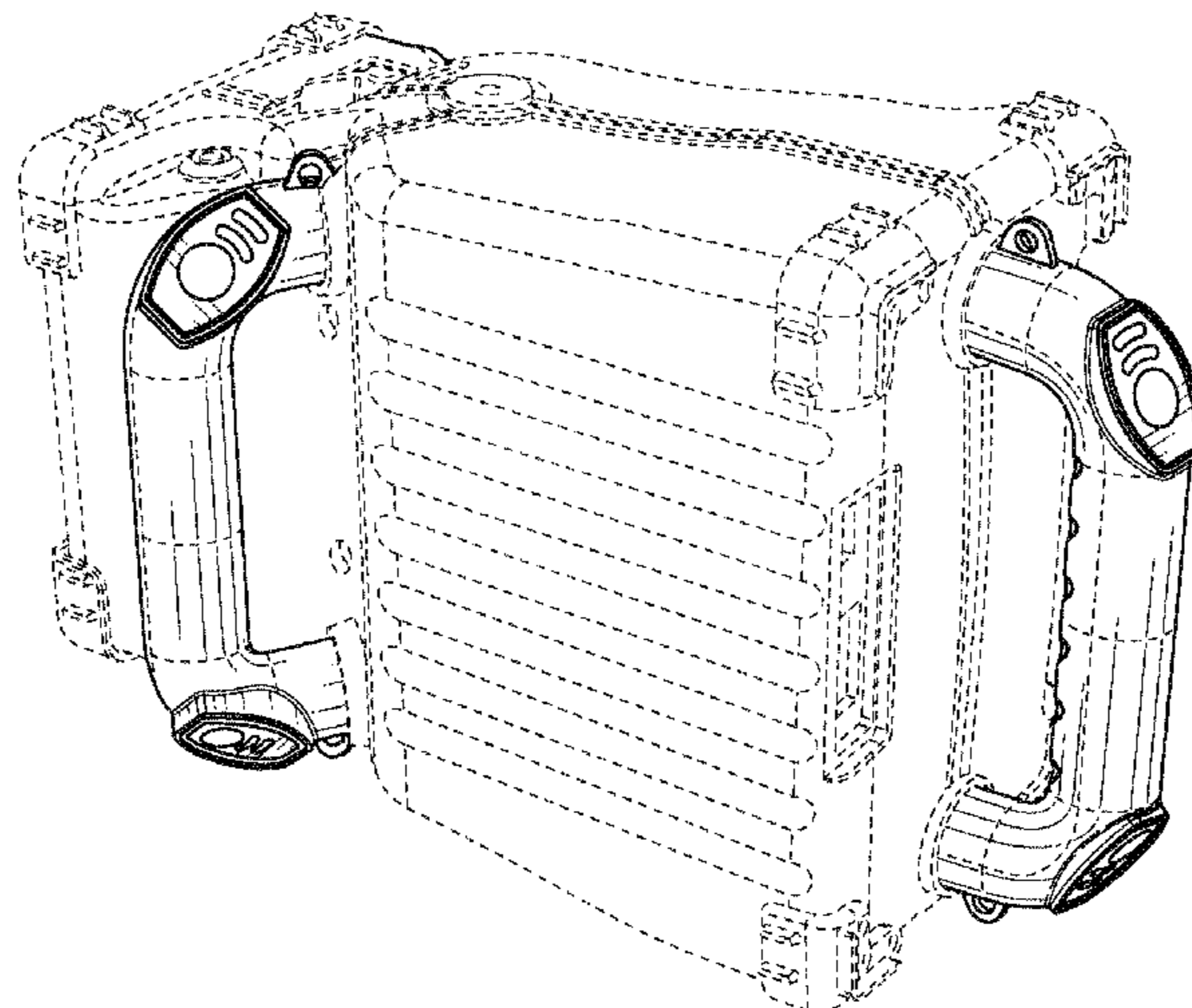
FIG. 5 is a top view of the handle assembly design shown in FIG. 1.

FIG. 6 is a side view of the handle assembly design shown in FIG. 1; and,

FIG. 7 is a side view of the handle assembly design shown in FIG. 1, opposite of the side shown in FIG. 6.

The broken lines represent environmental subject matter and form no part of the claimed design.

1 Claim, 5 Drawing Sheets



(56)

References Cited

U.S. PATENT DOCUMENTS

D787,678 S * 5/2017 Kim D24/158
2013/0195248 A1 * 8/2013 Rothschild G01N 23/203
378/86

OTHER PUBLICATIONS

Vetxray. Printed Oct. 11, 2017. <http://vetxray.com/products/portable-x-ray-units/> (3 pages).

* cited by examiner

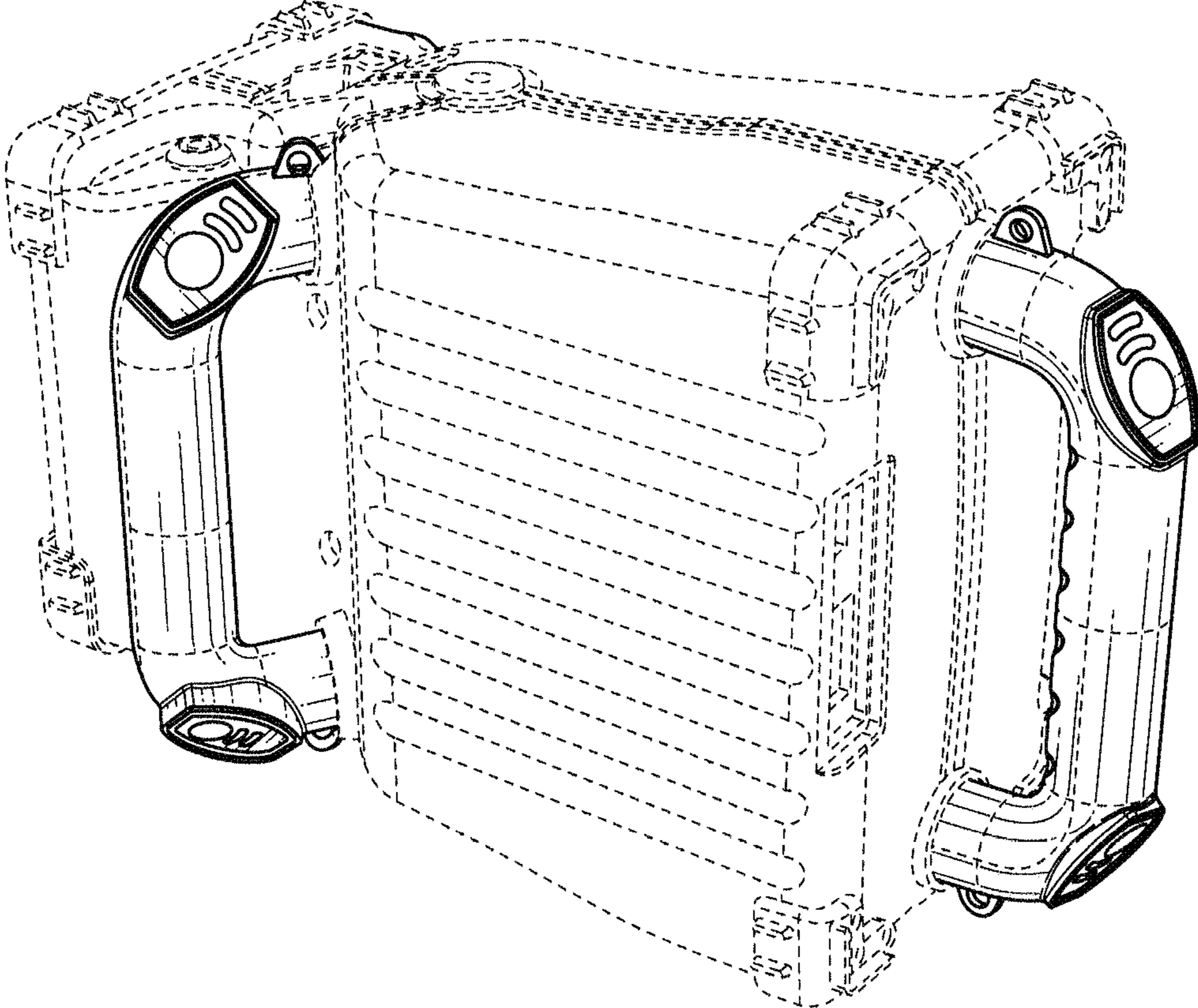


FIG. 1

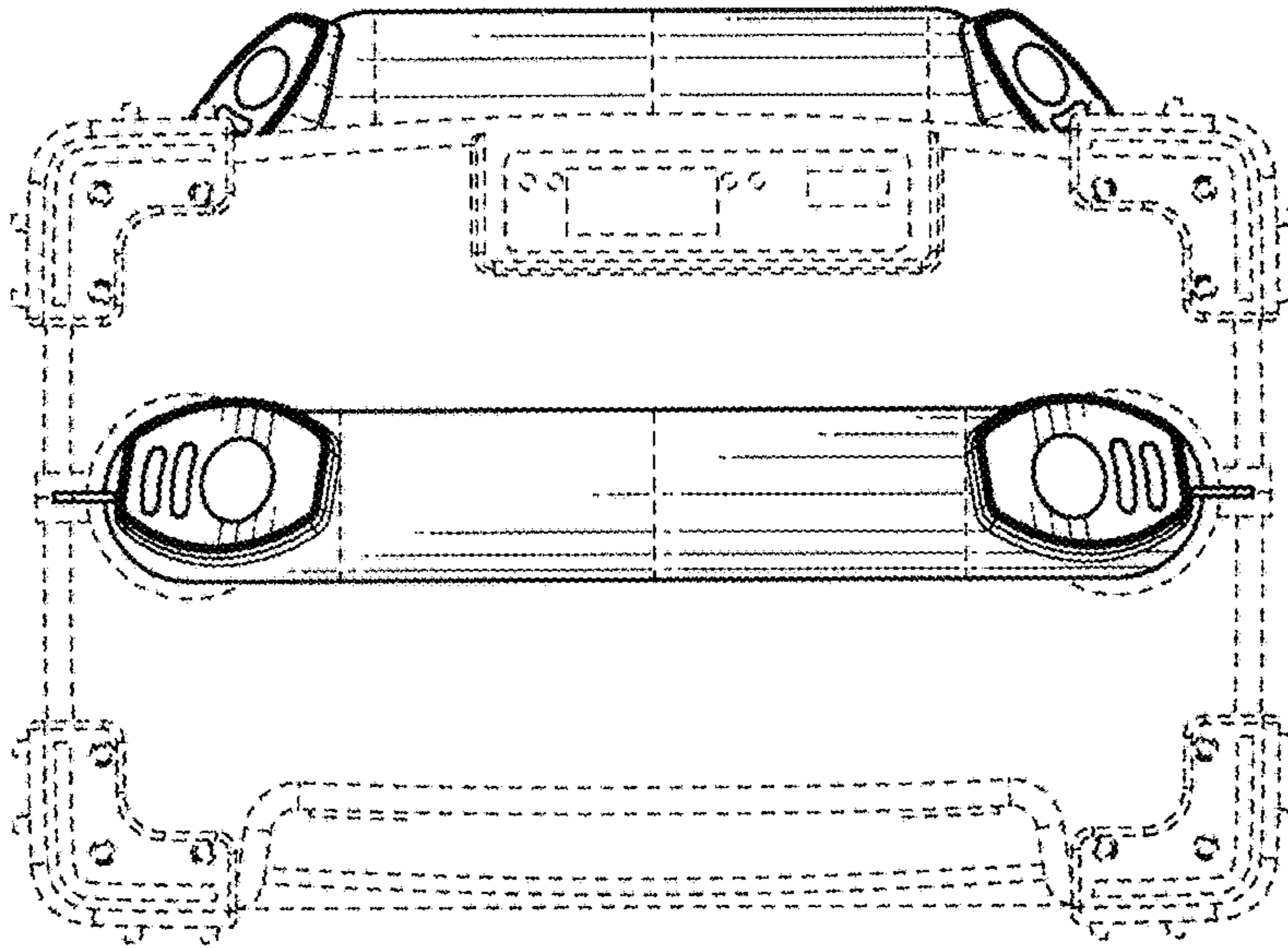


FIG. 2

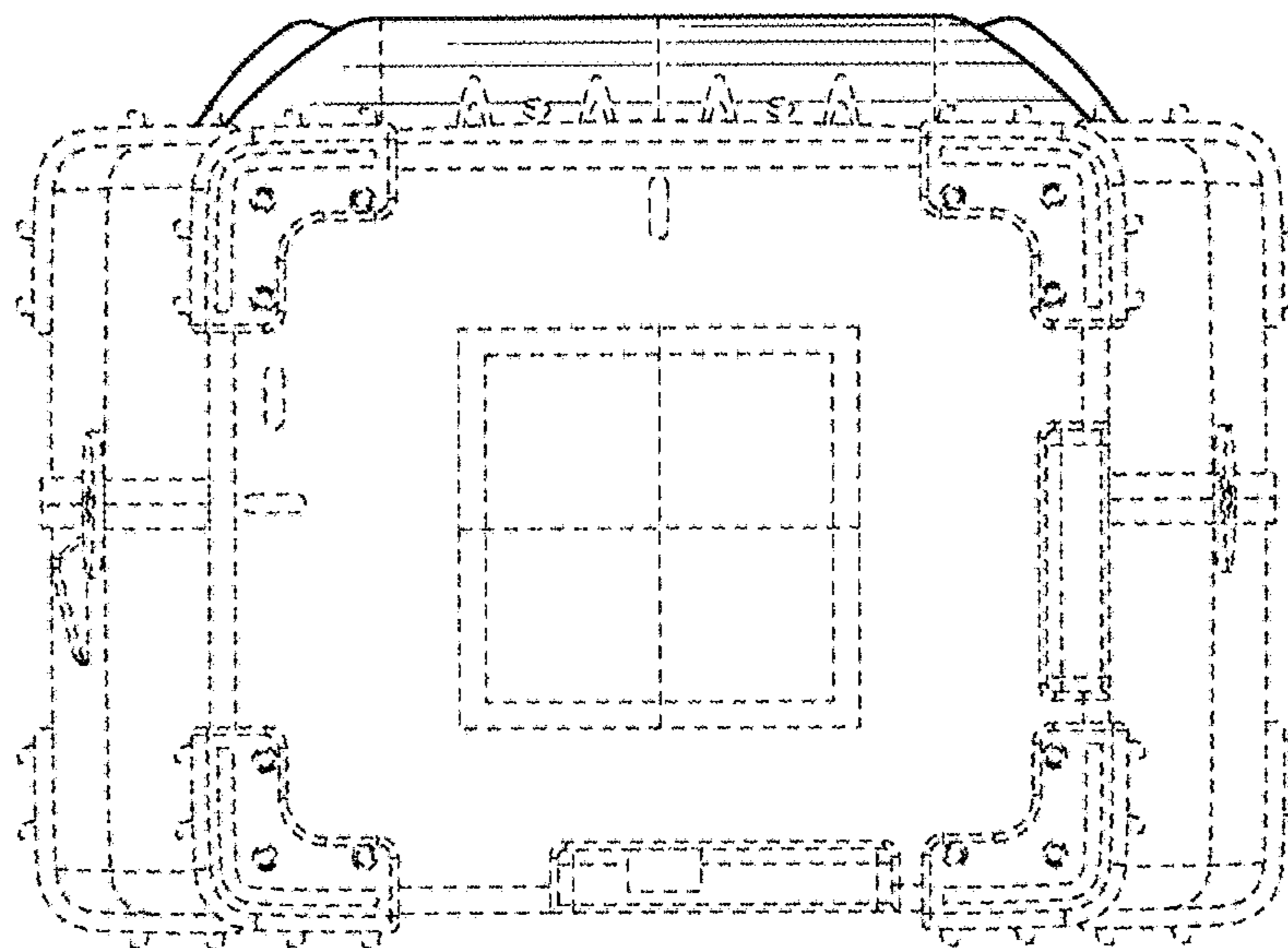


FIG. 3

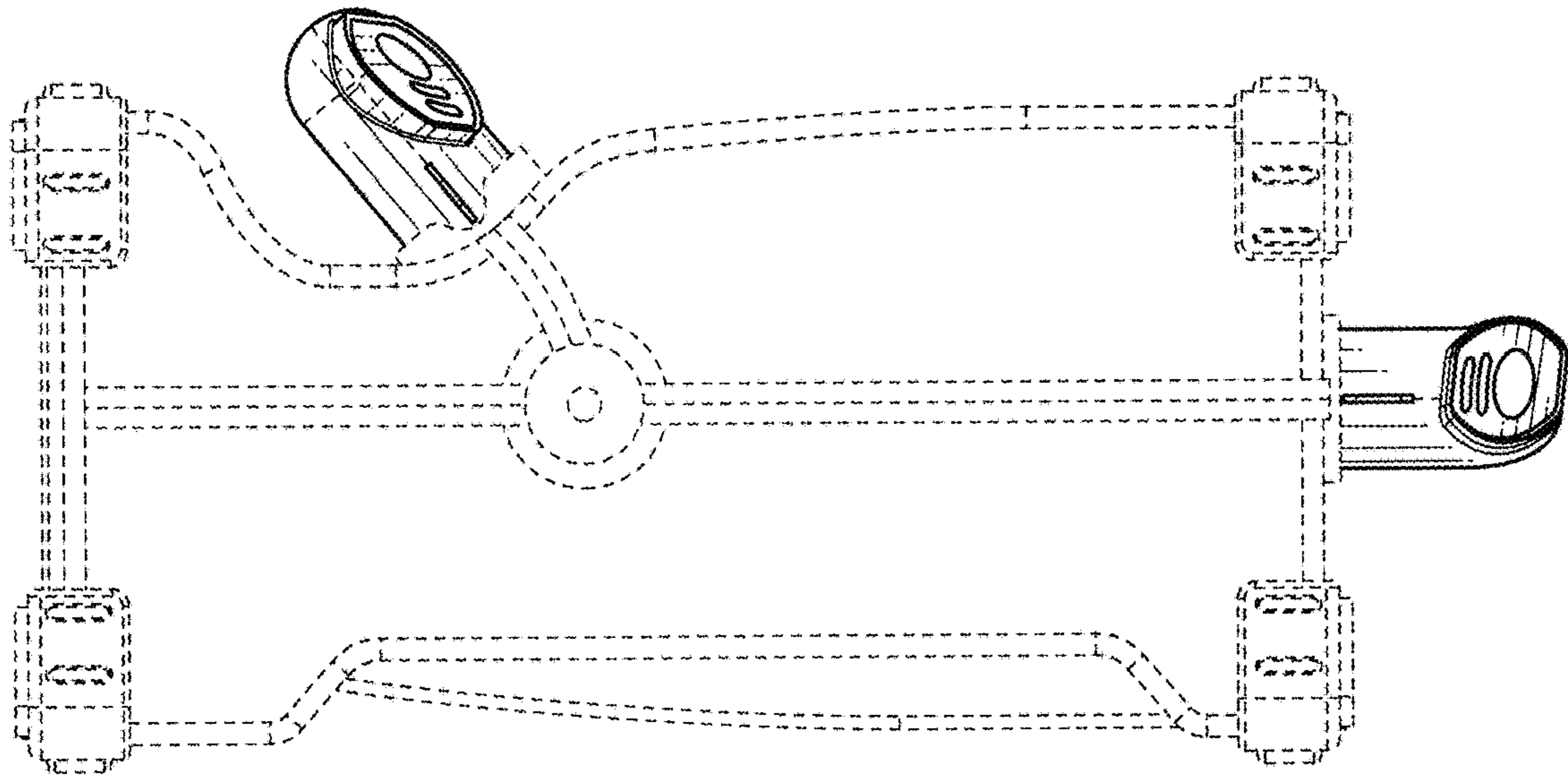


FIG. 4

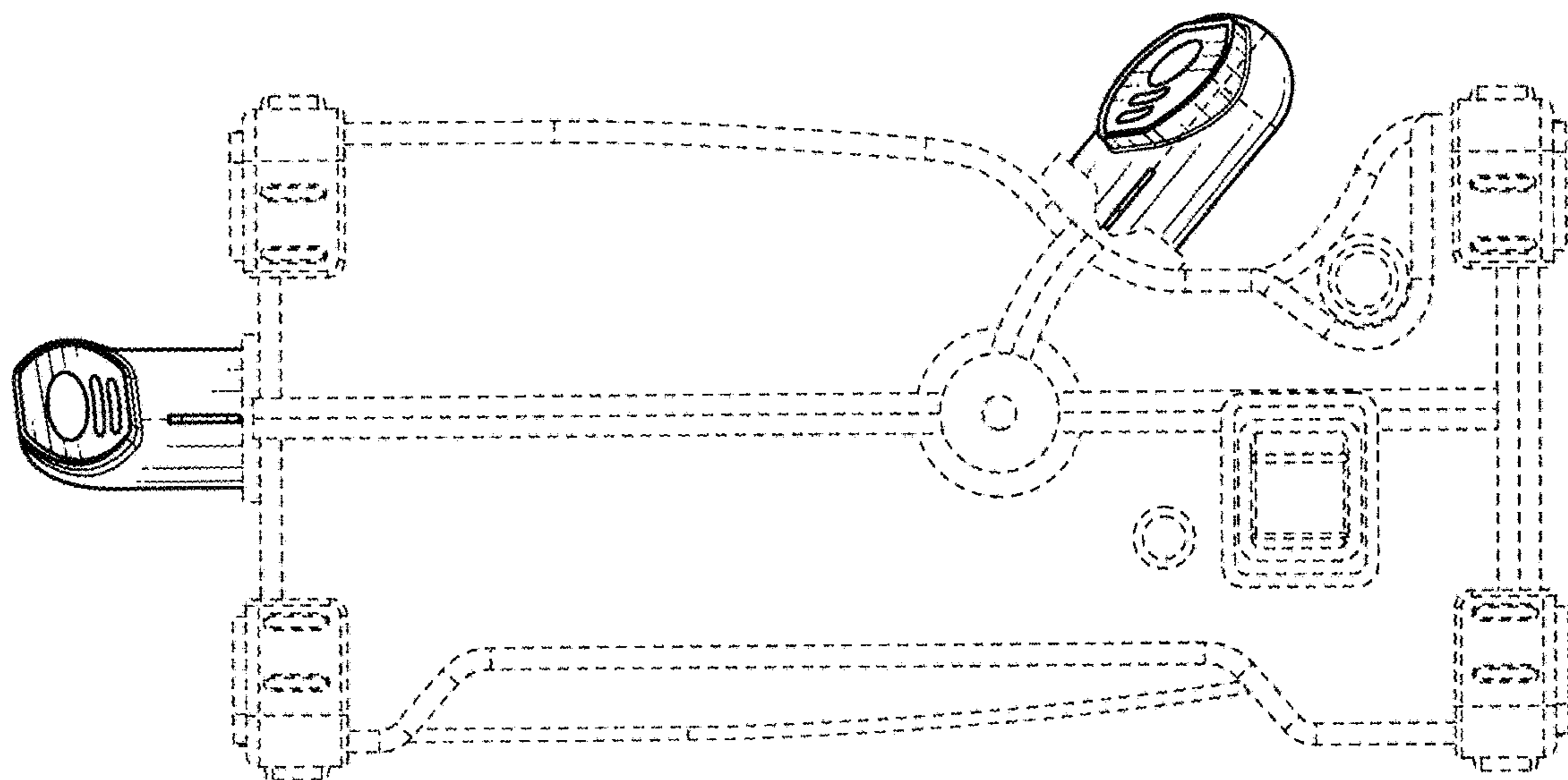


FIG. 5

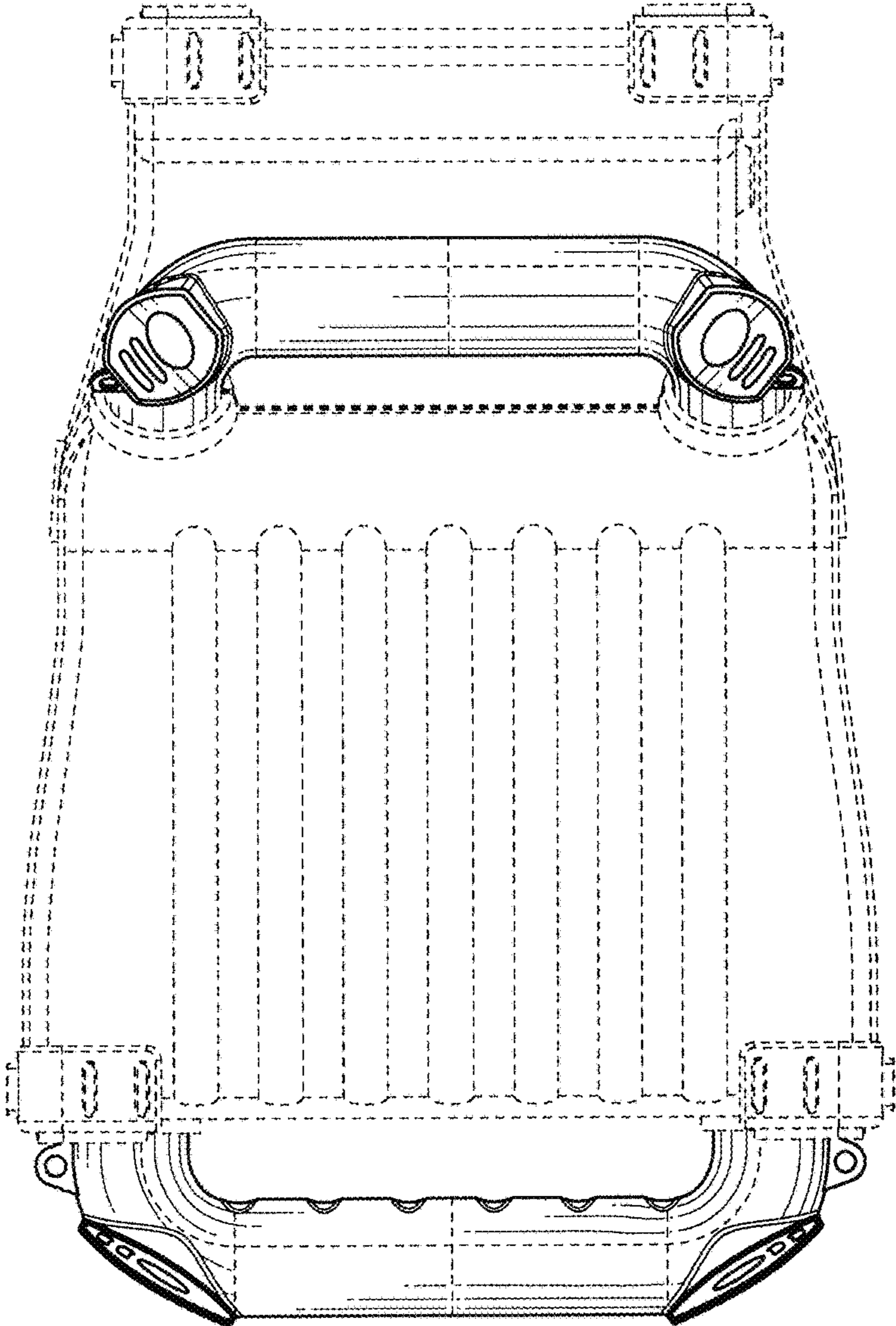


FIG. 6

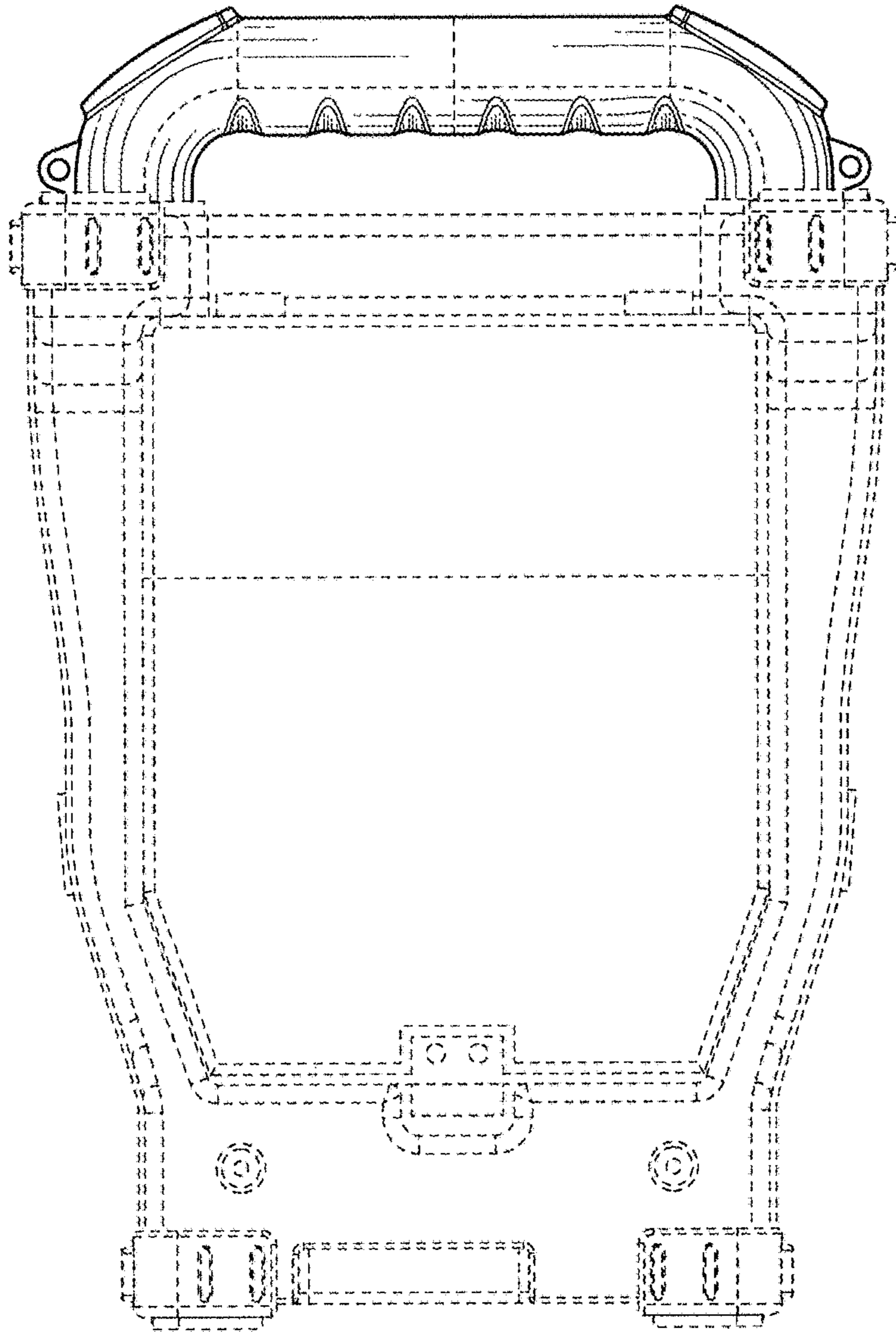


FIG. 7