



US00D839428S

(12) **United States Design Patent** (10) **Patent No.:** **US D839,428 S**  
**Diaz Carmena et al.** (45) **Date of Patent:** **\*\* Jan. 29, 2019**

(54) **PORTABLE X-RAY DEVICE**  
(71) Applicant: **SOCIEDAD ESPANOLA DE ELECTROMEDICINA Y CALIDAD, SA, Algete (Madrid) (ES)**  
(72) Inventors: **Angel Diaz Carmena, Alcorcon (ES); Jose Garcia Perez, San Sebastian de los Reyes (ES); Ildfonso Moreno Vallejo, Rivasvaciamadrid (ES)**  
(73) Assignee: **SOCIEDAD ESPANOLA DE ELECTROMEDICINA Y CALIDAD, SA, Algete (Madrid) (ES)**  
(\*\*) Term: **15 Years**  
(21) Appl. No.: **29/610,326**  
(22) Filed: **Jul. 11, 2017**  
(51) **LOC (11) Cl.** ..... **24-01**  
(52) **U.S. Cl.**  
USPC ..... **D24/158**  
(58) **Field of Classification Search**  
USPC ..... D24/158-161, 185, 186, 107; D10/78; D8/303, 317, 319, 320; D16/130  
CPC ..... A61B 6/4405; A61B 6/483; A61B 6/484; A61B 6/485; A61B 6/487; A61B 6/508  
See application file for complete search history.

D715,941 S \* 10/2014 Li ..... D24/158  
D724,216 S \* 3/2015 Gant ..... D24/158  
D758,584 S \* 6/2016 Boegel ..... D24/158  
D769,746 S \* 10/2016 Houde ..... D10/78  
D787,678 S \* 5/2017 Kim ..... D24/158  
2013/0195248 A1\* 8/2013 Rothschild ..... G01N 23/203  
378/86

**OTHER PUBLICATIONS**

Heska. Printed Oct. 11, 2017. <https://www.heska.com/digital-imaging/equine-digital-x-ray/uno-6.aspx> (2 pages).  
Vetxray. Printed Oct. 11, 2017. <http://vetxray.com/products/portable-x-ray-units/> (3 pages).

\* cited by examiner

*Primary Examiner* — Anhdao Doan  
(74) *Attorney, Agent, or Firm* — Neal, Gerber & Eisenberg LLP; Bradley F. Rademaker; Nawshaba M. Siddiquee

(57) **CLAIM**

The ornamental design for a portable x-ray device, as shown and described.

**DESCRIPTION**

FIG. 1 is a perspective view of a portable x-ray device. FIG. 2 is a rear view of the design shown in FIG. 1. FIG. 3 is a front view of the design shown in FIG. 1. FIG. 4 is a bottom view of the design shown in FIG. 1. FIG. 5 is a top view of the design shown in FIG. 1. FIG. 6 is a side view of the design shown in FIG. 1; and, FIG. 7 is a side view of the design shown in FIG. 1, opposite the view of FIG. 6.

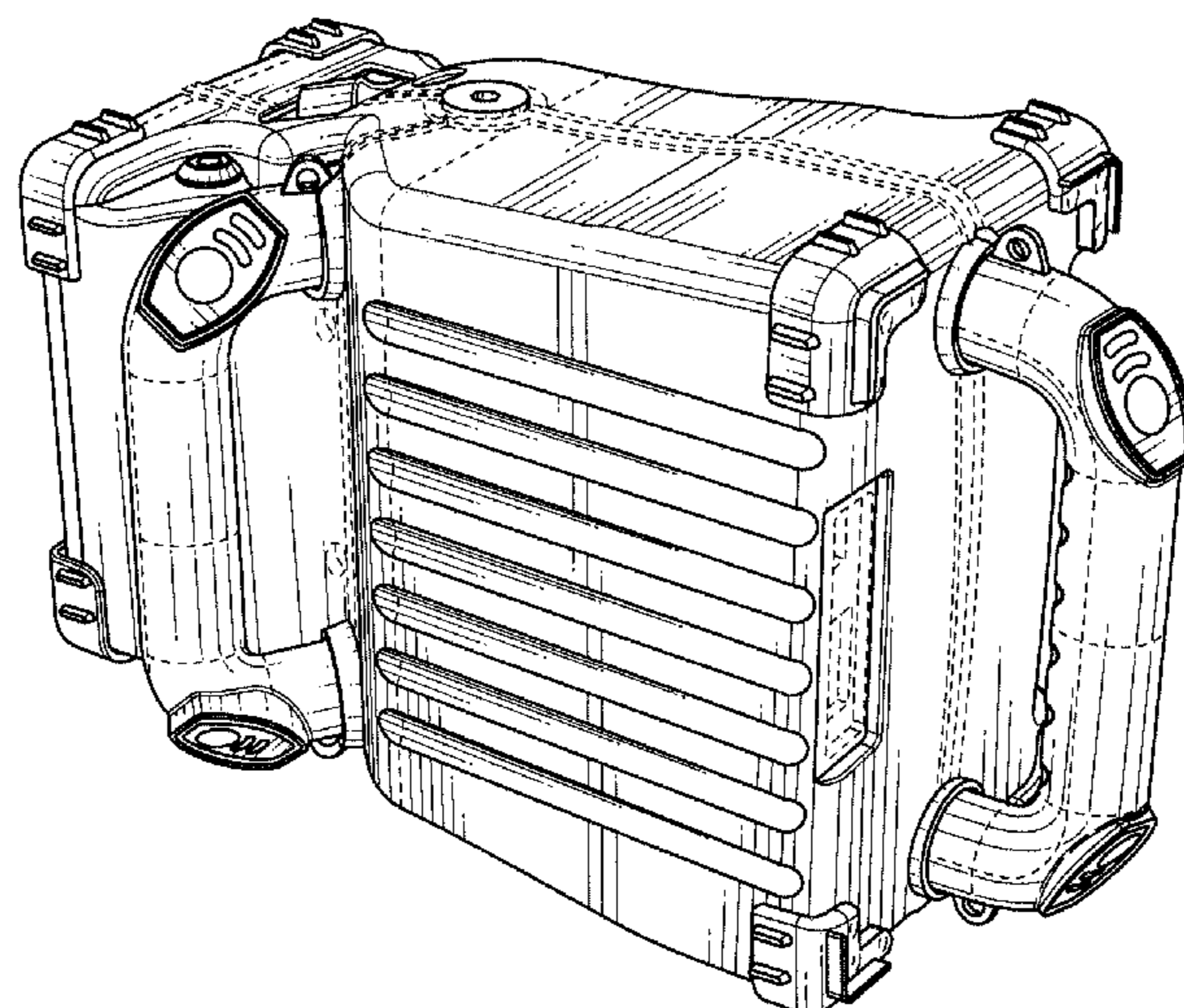
The broken lines immediately adjacent the shaded areas represent the bounds of the claim, while all other broken lines are directed to environment and are for illustrative purposes only; the broken lines form no part of the claimed design.

**1 Claim, 5 Drawing Sheets**

(56) **References Cited**

**U.S. PATENT DOCUMENTS**

D273,981 S \* 5/1984 Kroll ..... D24/158  
D494,074 S \* 8/2004 Ishii ..... D16/130  
D582,750 S \* 12/2008 Heidrich ..... D8/316  
7,684,544 B2 \* 3/2010 Wilson ..... A61B 6/4233  
378/102  
D623,080 S \* 9/2010 Nguyen ..... D10/78  
D705,638 S \* 5/2014 Aruga ..... B25G 1/04  
D8/303  
D714,446 S \* 9/2014 Sul ..... D24/158



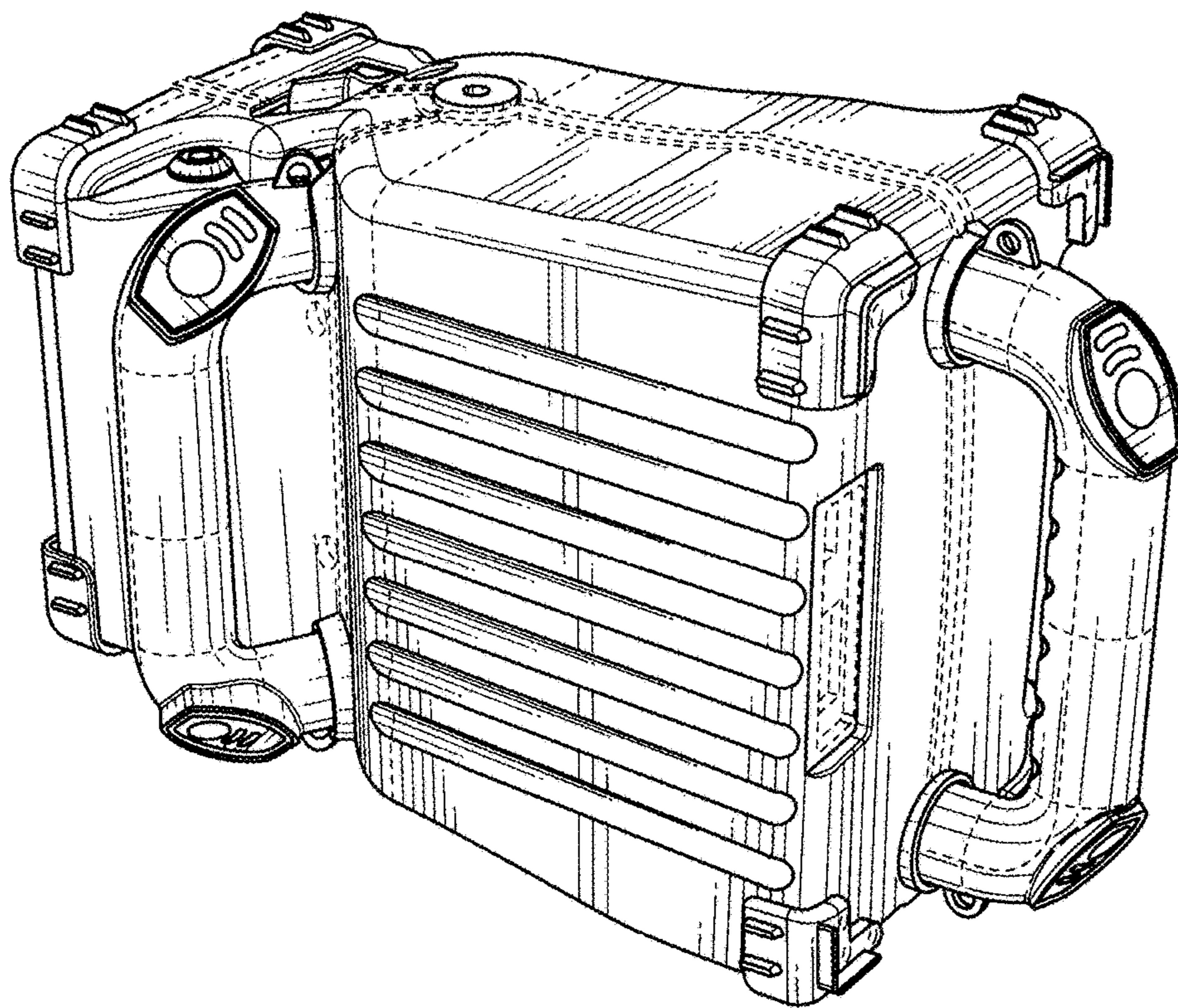


FIG. 1



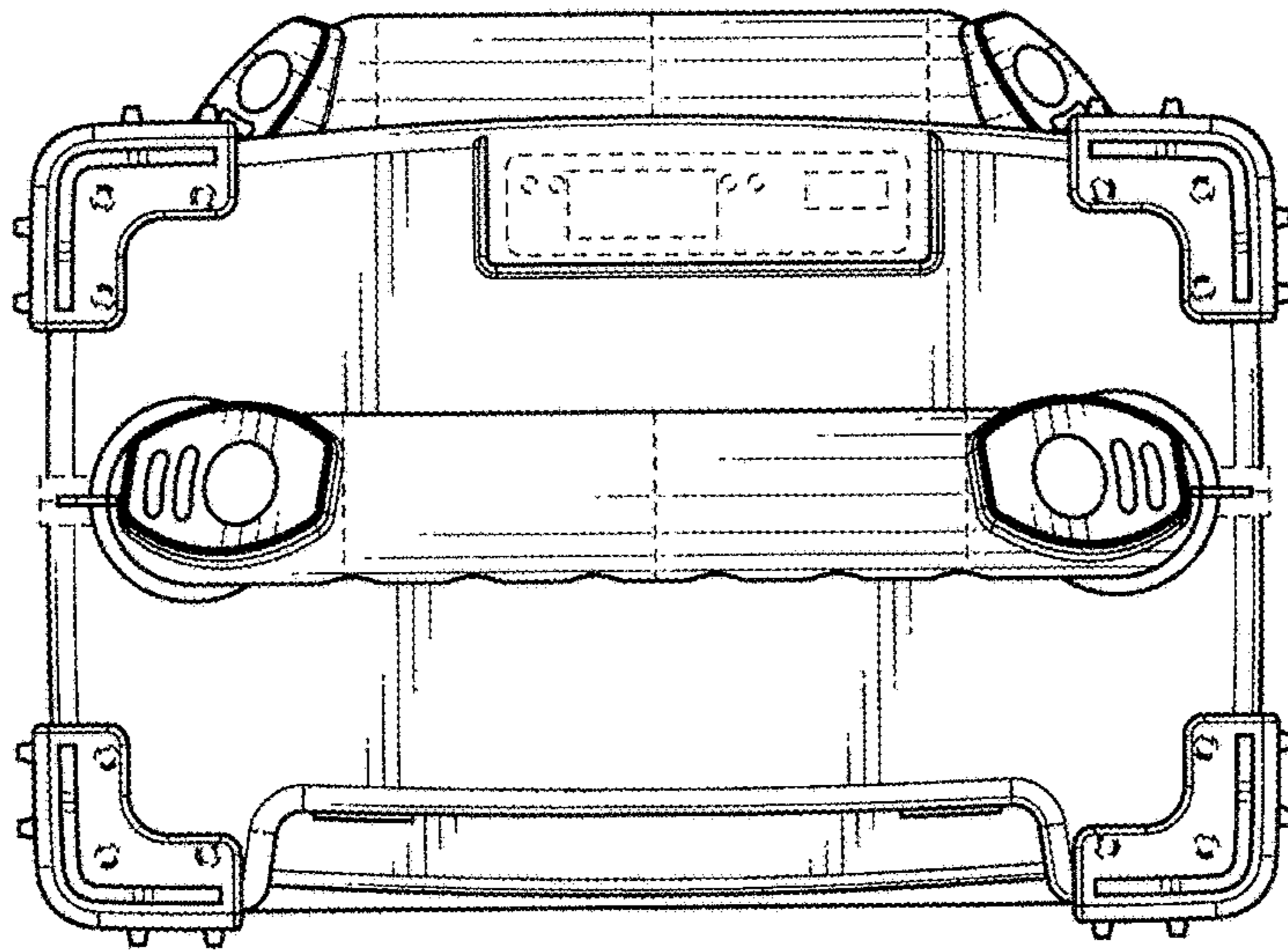


FIG. 2

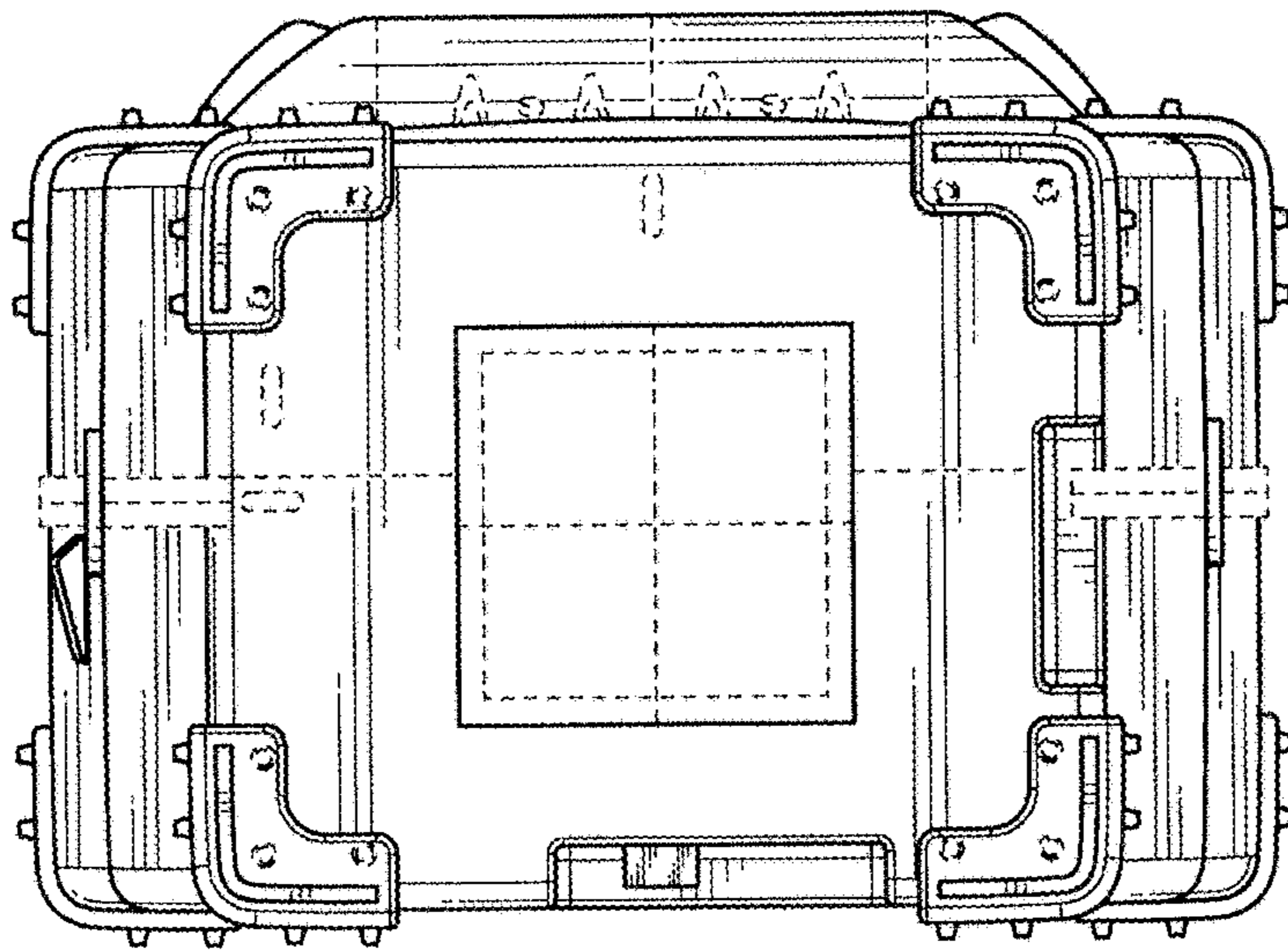


FIG. 3

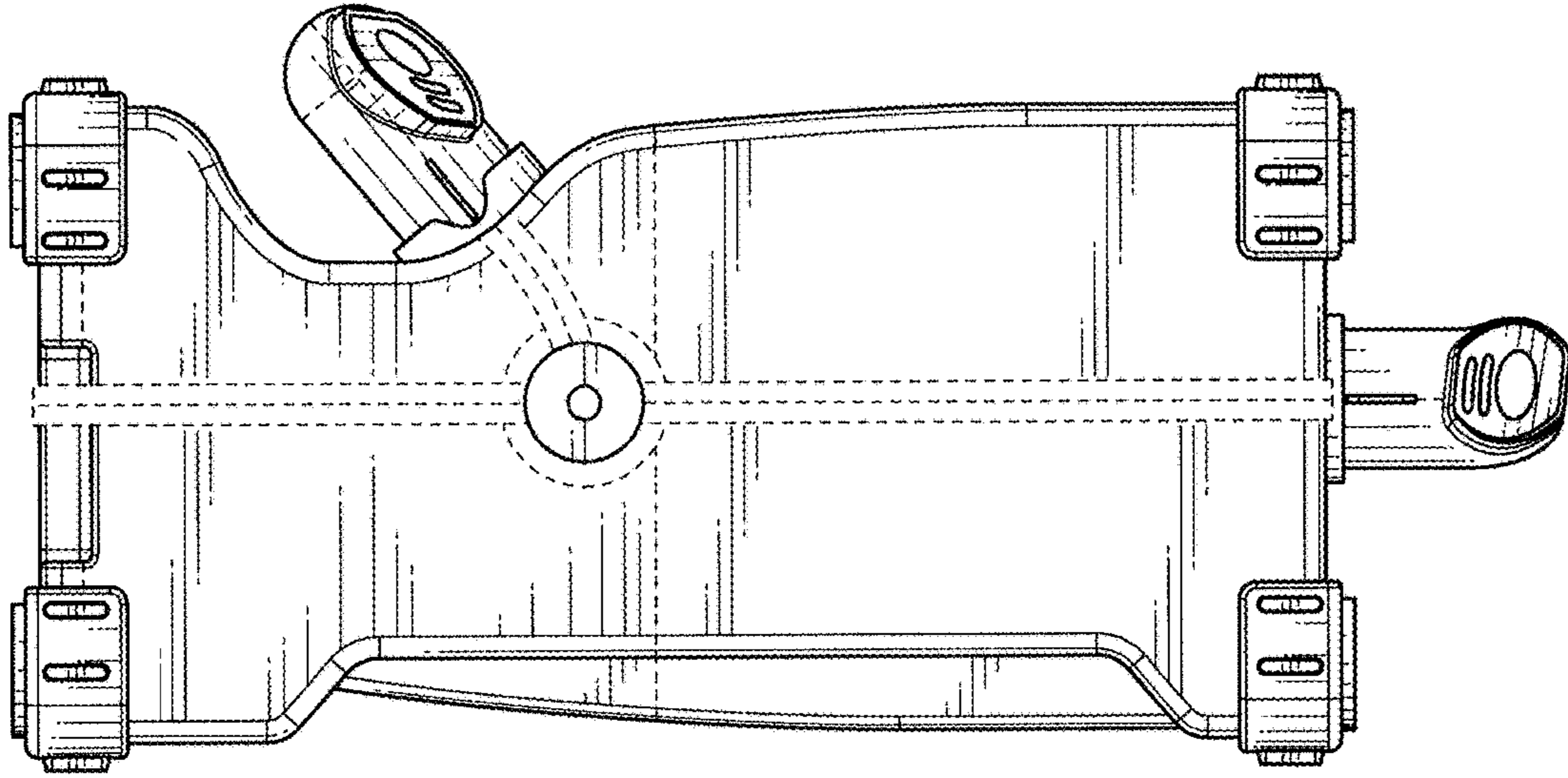


FIG. 4

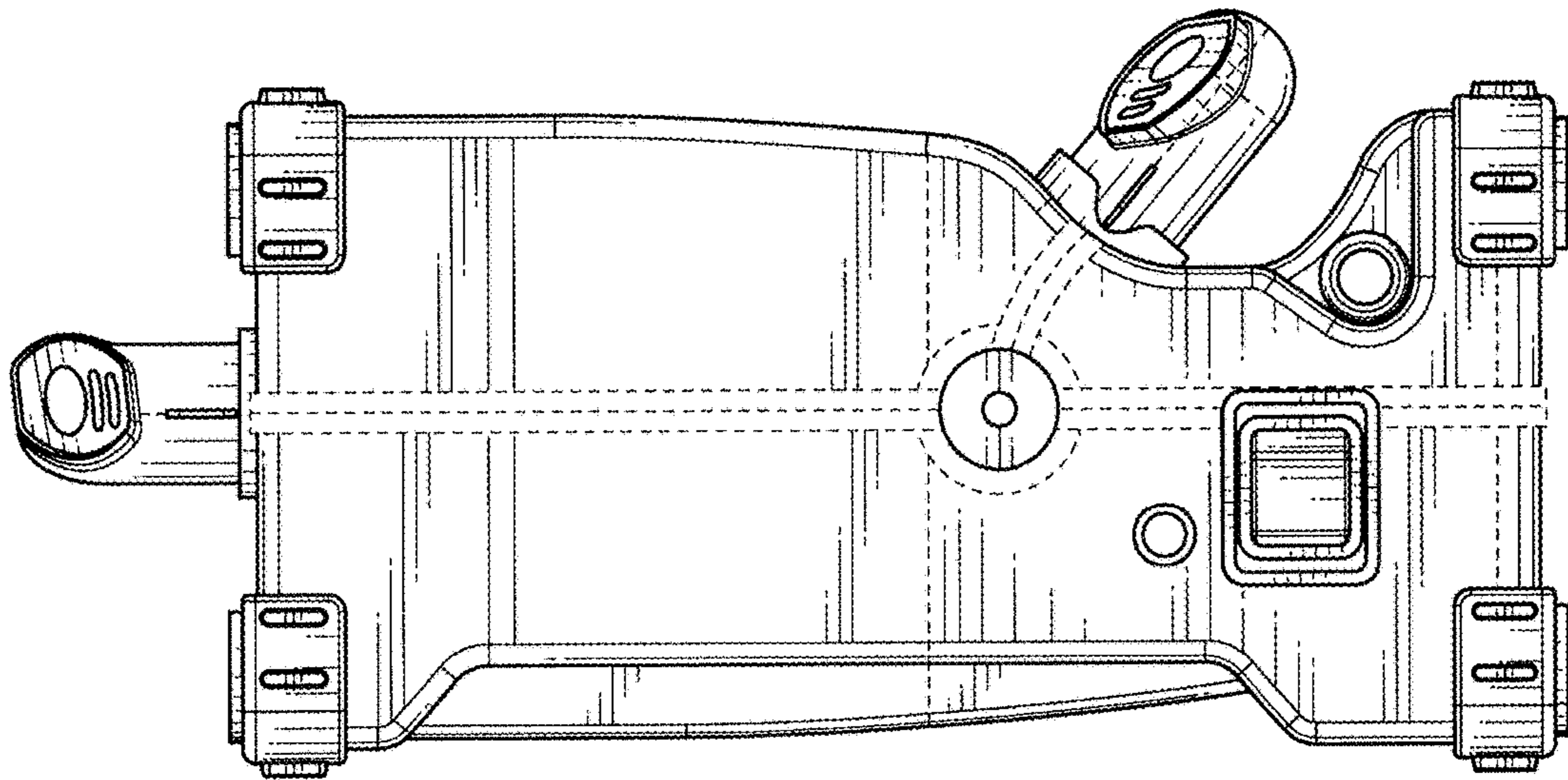


FIG. 5

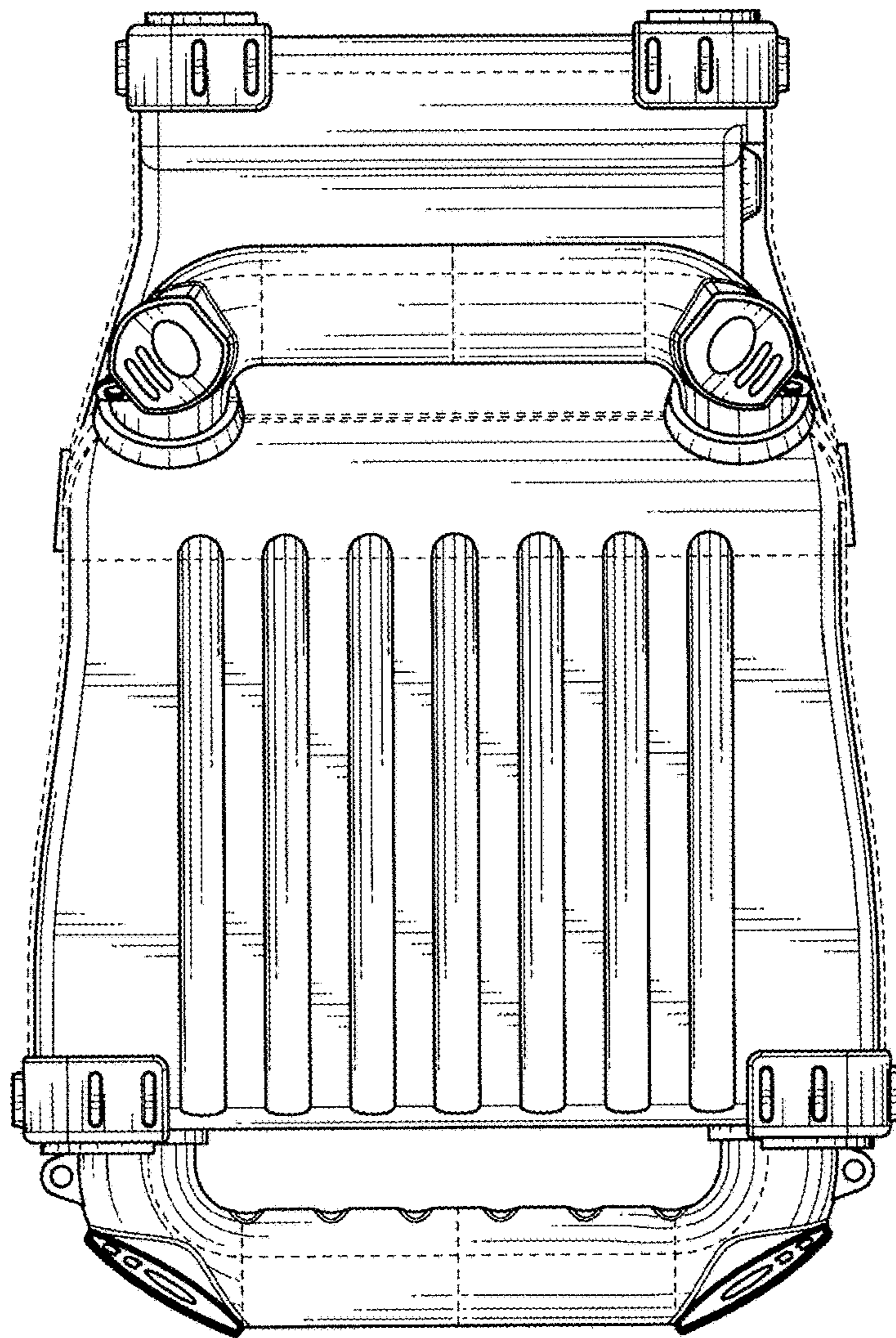


FIG. 6



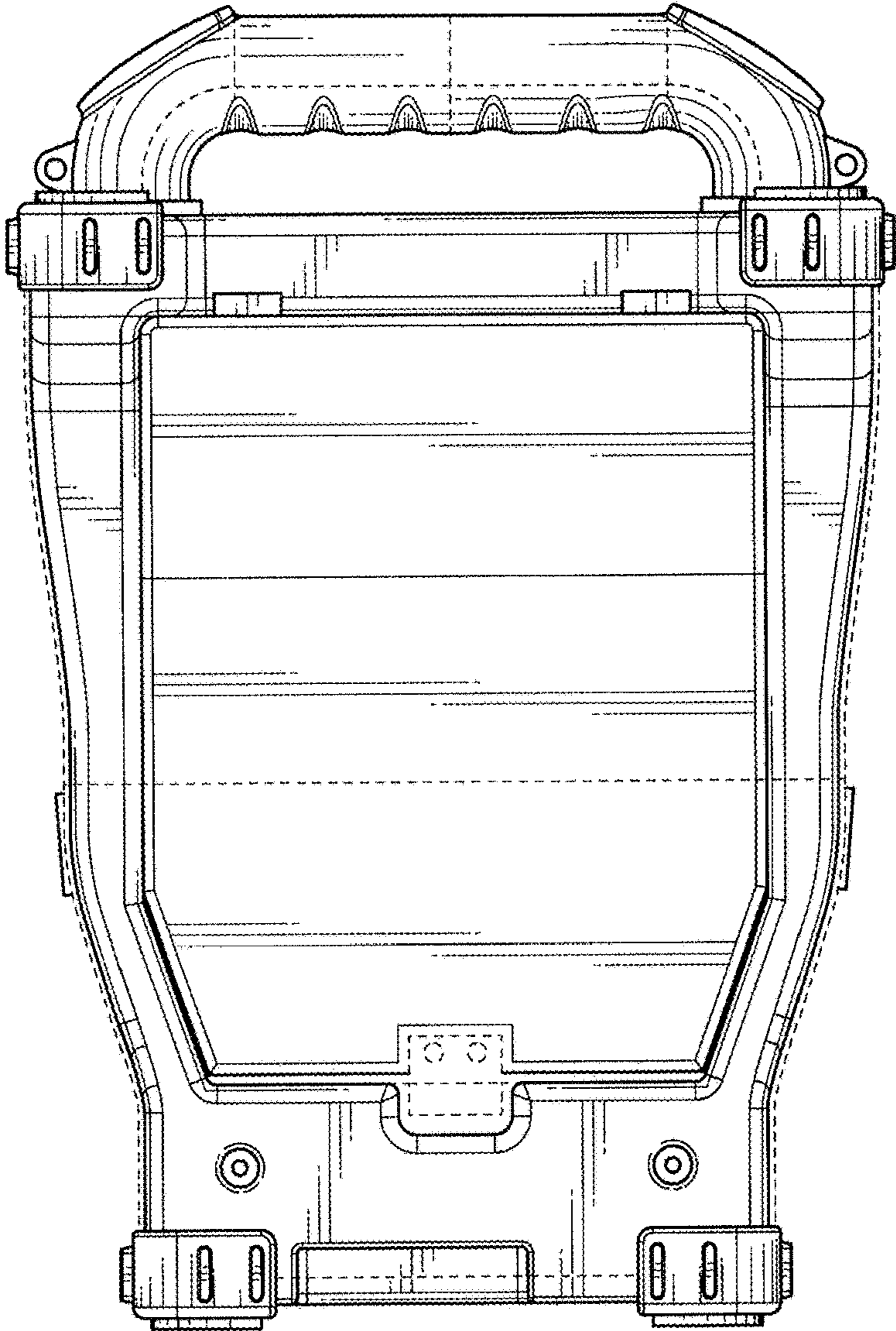


FIG. 7