



US00D839427S

(12) **United States Design Patent**
Frenkler et al.

(10) **Patent No.:** **US D839,427 S**
(45) **Date of Patent:** **** Jan. 29, 2019**

(54) **MEDICAL X-RAY PHOTOGRAPHING APPARATUS**

(71) Applicant: **J. MORITA MFG. CORP.**, Kyoto-shi, Kyoto (JP)

(72) Inventors: **Fritz Frenkler**, Munich (DE); **Anette Ponholzer**, Munich (DE); **Junji Kawabe**, Munich (DE)

(73) Assignee: **J. MORITA MFG. CORP.**, Kyoto (JP)

(**) Term: **15 Years**

(21) Appl. No.: **29/600,722**

(22) Filed: **Apr. 14, 2017**

(30) **Foreign Application Priority Data**

Oct. 14, 2016	(JP)	2016-022437
Oct. 14, 2016	(JP)	2016-022438
Oct. 14, 2016	(JP)	2016-022439
Oct. 14, 2016	(JP)	2016-022440
Oct. 14, 2016	(JP)	2016-022441
Oct. 14, 2016	(JP)	2016-022442
Oct. 14, 2016	(JP)	2016-022443
Oct. 14, 2016	(JP)	2016-022444

(51) **LOC (11) Cl.** **24-01**

(52) **U.S. Cl.**
USPC **D24/158**

(58) **Field of Classification Search**
USPC D24/158-161, 185, 186, 107
CPC .. A61B 5/05; A61B 5/055; A61B 6/03; A61B 6/035; A61B 6/4405; A61B 6/4411; A61B 6/4435; A61B 6/4441; A61B 6/4447; A61B 6/14; G06T 2207/30036
See application file for complete search history.

(56) **References Cited**

U.S. PATENT DOCUMENTS

D571,471 S	*	6/2008	Stockl	D24/158
D604,414 S	*	11/2009	Otsuka	D24/158

D604,415 S	*	11/2009	Otsuka	D24/158
D639,947 S	*	6/2011	Choi	D24/158
D671,217 S	*	11/2012	Moon	D24/158
D683,021 S	*	5/2013	Moon	D24/158
D713,038 S	*	9/2014	Sul	D24/158
D767,765 S	*	9/2016	Lin	D24/158
D785,183 S	*	4/2017	Ogura	D24/158
D791,324 S	*	7/2017	Kim	D24/158

(Continued)

FOREIGN PATENT DOCUMENTS

JP	1313299 S	10/2007
JP	2013-116318 A	6/2013

(Continued)

OTHER PUBLICATIONS

Jun. 26, 2017 Office Action issued in Japanese Application No. 2016-022441.

(Continued)

Primary Examiner — Anhdao Doan
(74) *Attorney, Agent, or Firm* — Oliff PLC

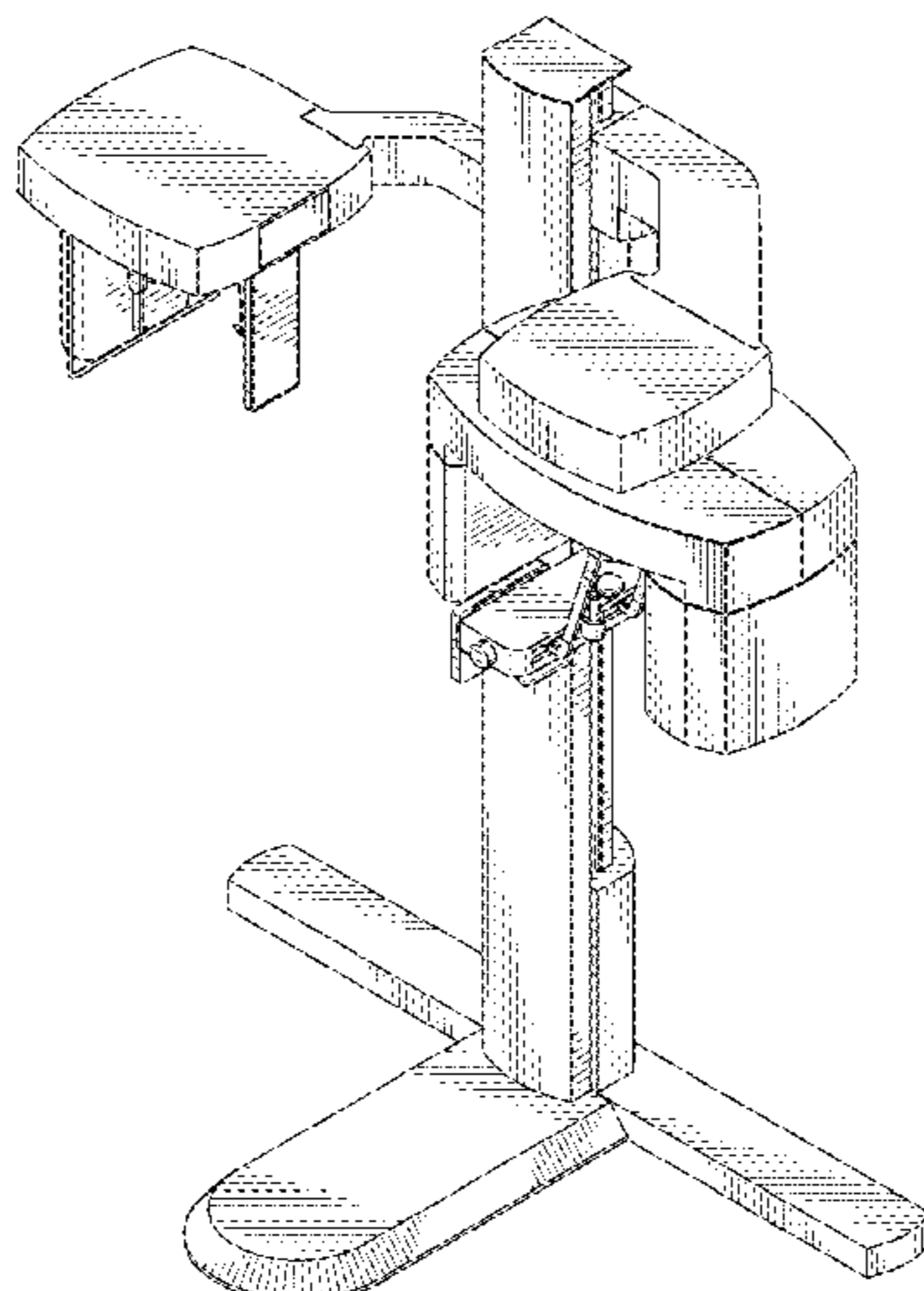
(57) **CLAIM**

The ornamental design for a medical x-ray photographing apparatus, as shown and described.

DESCRIPTION

FIG. 1 is a front view of a medical x-ray photographing apparatus of the present design;
FIG. 2 is a rear view thereof;
FIG. 3 is a left side view thereof;
FIG. 4 is a right side view thereof;
FIG. 5 is a top view thereof;
FIG. 6 is a bottom view thereof;
FIG. 7 is a perspective view 1 thereof; and,
FIG. 8 is a perspective view 2 thereof.

1 Claim, 7 Drawing Sheets



(56)

References Cited

U.S. PATENT DOCUMENTS

D799,045	S *	10/2017	Mattiuzzo	D24/158
2006/0227938	A1 *	10/2006	Walker	A61B 6/14 378/195
2007/0030951	A1 *	2/2007	Park	A61B 6/14 378/38
2009/0196395	A1 *	8/2009	Gregorio	A61B 6/14 378/38
2013/0108011	A1	5/2013	Sadakane et al.		
2015/0351638	A1 *	12/2015	Amato	A61C 7/002 433/215
2015/0359501	A1 *	12/2015	Eronen	A61B 6/14 378/62
2017/0007191	A1 *	1/2017	Zoccatelli	A61B 6/04

FOREIGN PATENT DOCUMENTS

JP	2013-135765	A	7/2013
JP	1542178	S	1/2016

JP	1542179	S	1/2016
JP	1542527	S	1/2016
KR	30-0602243	S	6/2011
KR	30-0760704	S	9/2014
KR	30-0760705	S	9/2014

OTHER PUBLICATIONS

Jun. 26, 2017 Office Action issued in Japanese Application No. 2016-022444.

Recorded on the homepage of Tong Dan (Japan Patent Office, Design Department, known document No. HJ28110008), <https://itunes.apple.com/jp/app/gremsy-assistant/id1100539971?mt=8>.

Recorded on the homepage of Pavel Zryumov (Japan Patent Office, Design Department, known document No. HJ28101956), <https://itunes.apple.com/jp/app/dental-care-from-dentist-orthodontist/id1110122000?mt=8>.

Feb. 27, 2017 Prior Design Search issued in Japanese Patent Application No. 2016-022442.

* cited by examiner

FIG. 1

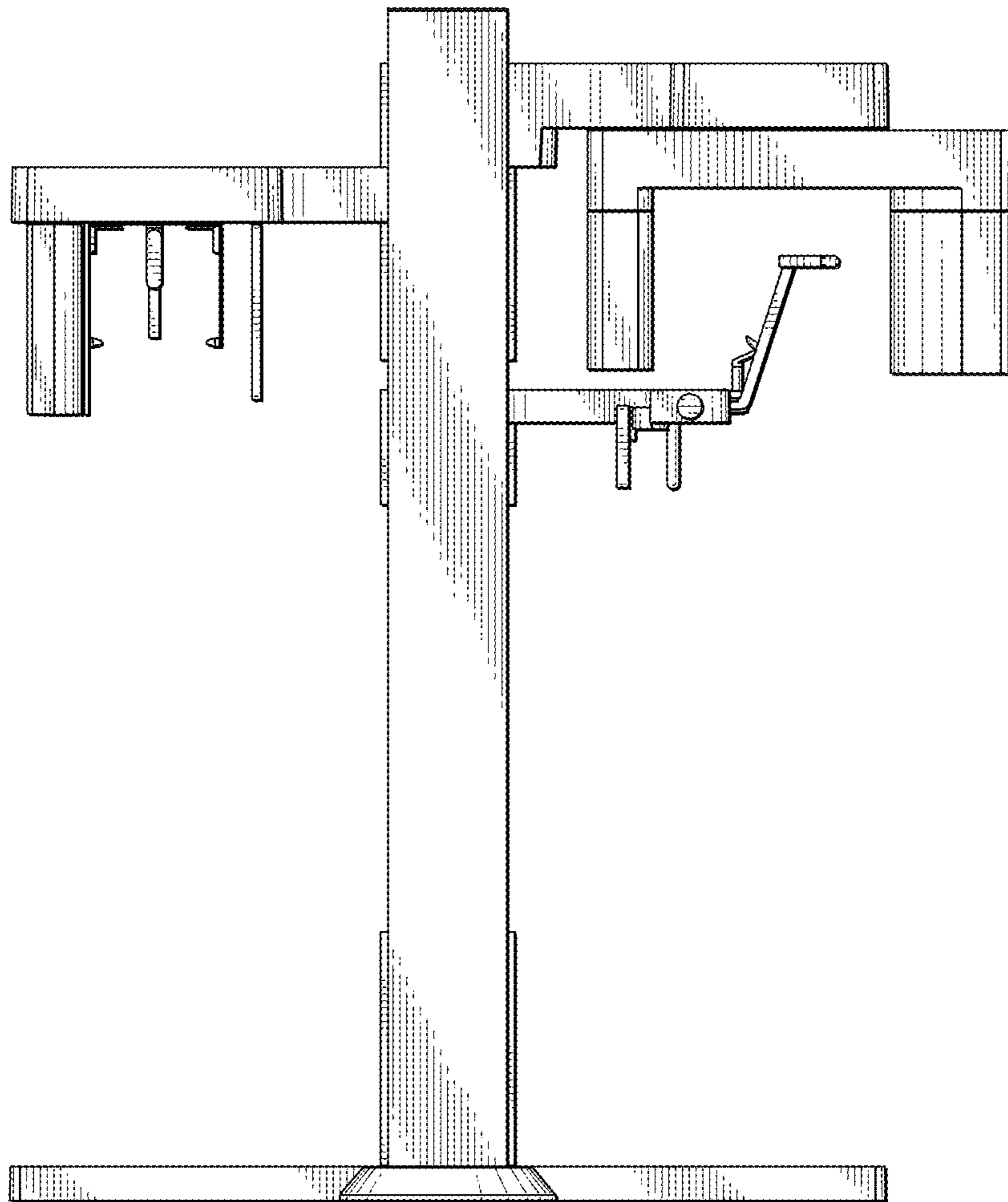


FIG.2

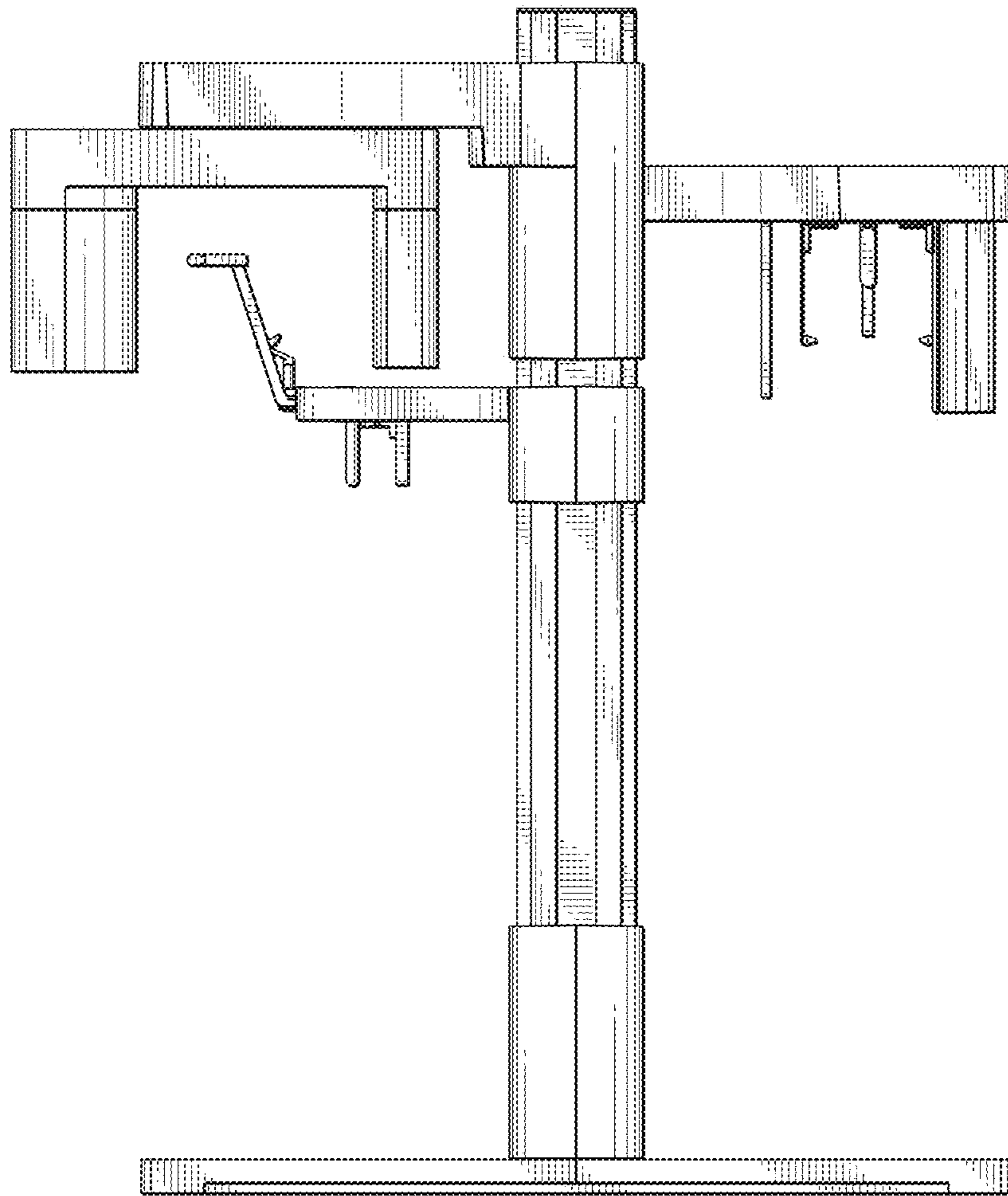


FIG.3

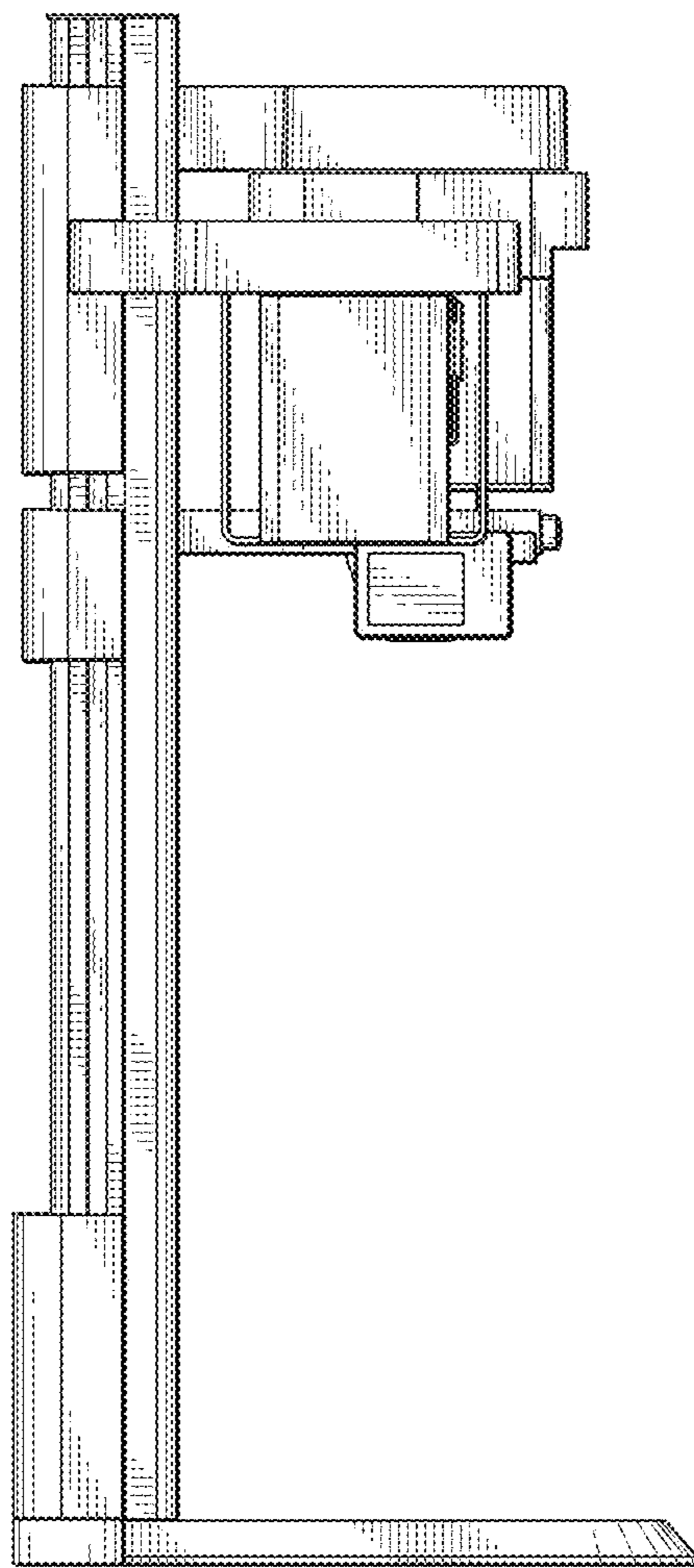


FIG.4

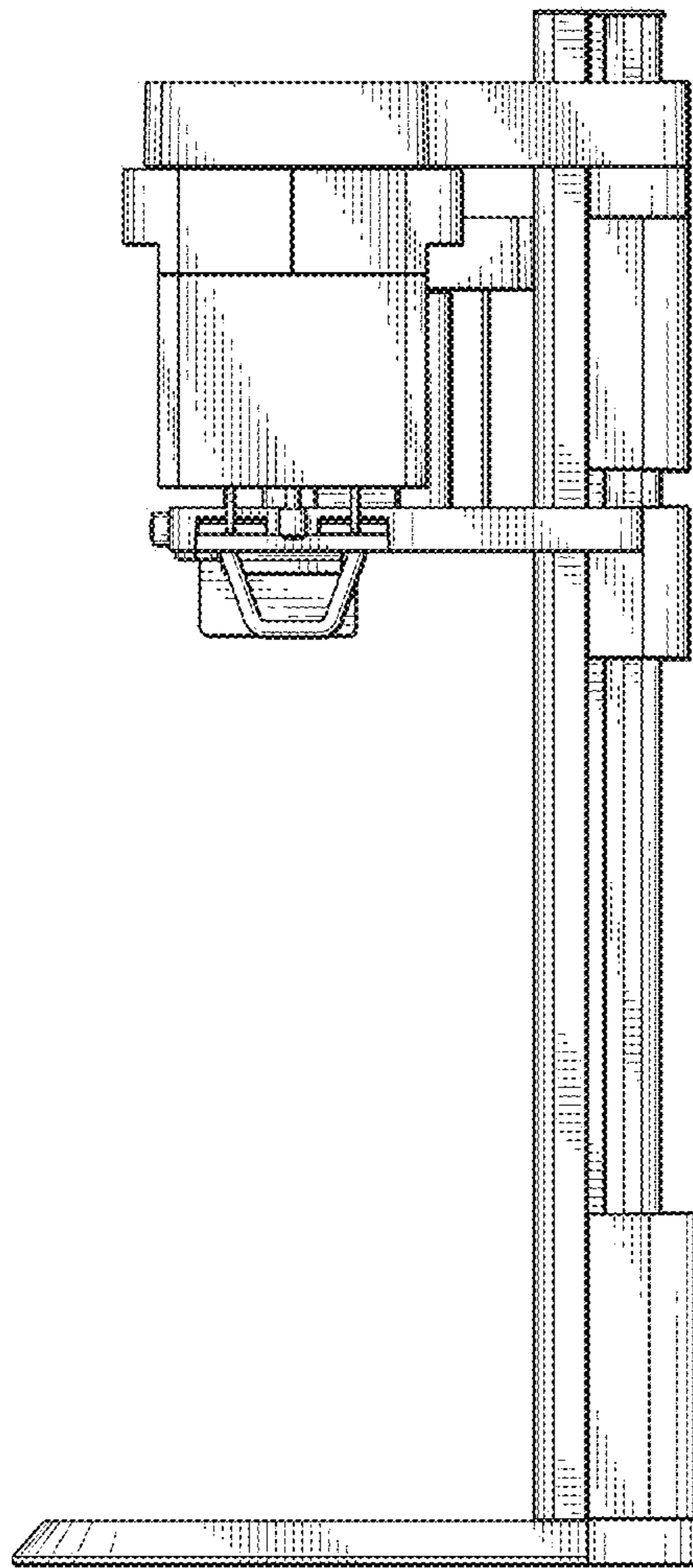


FIG.5

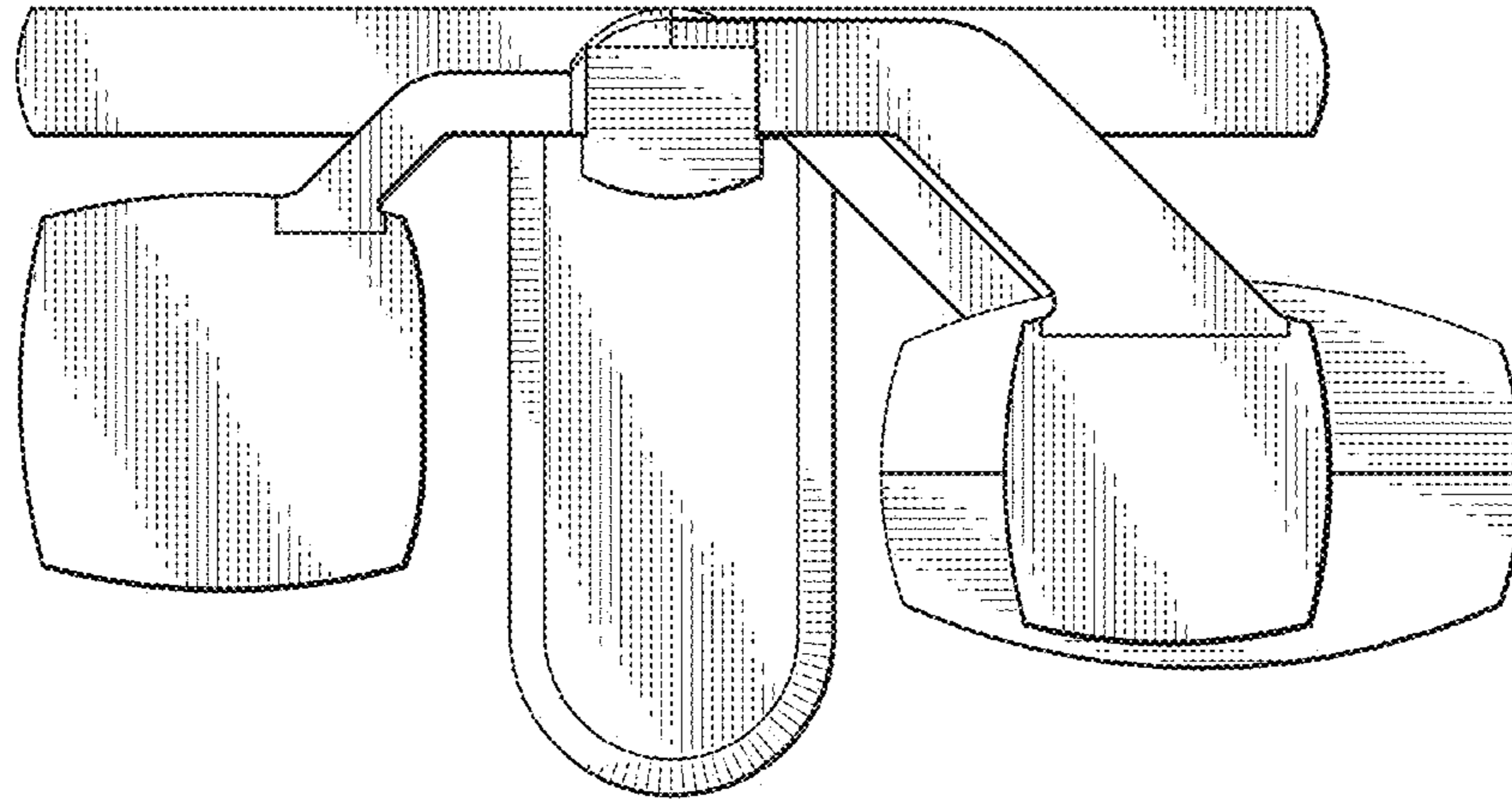


FIG.6

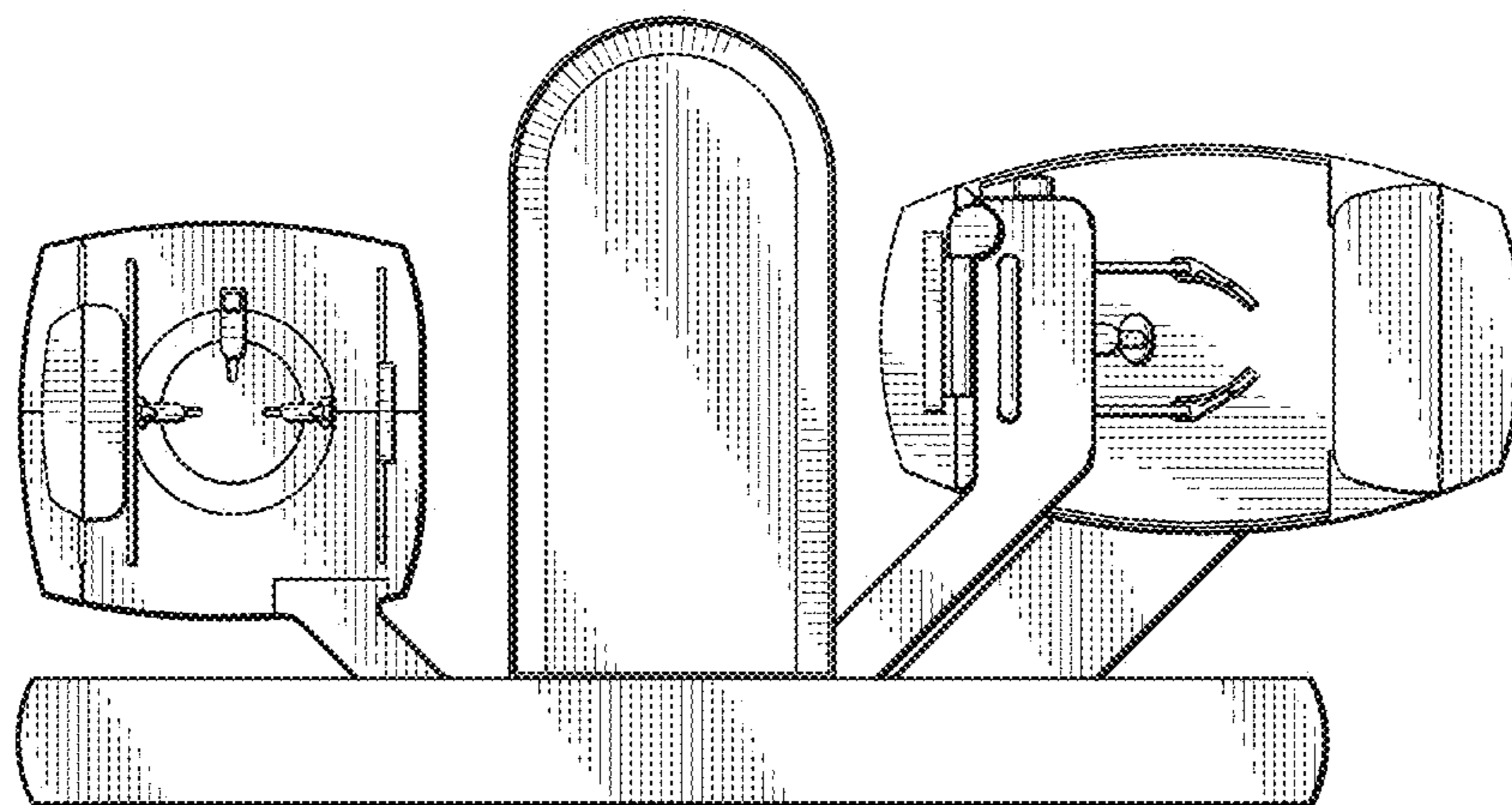


FIG. 7

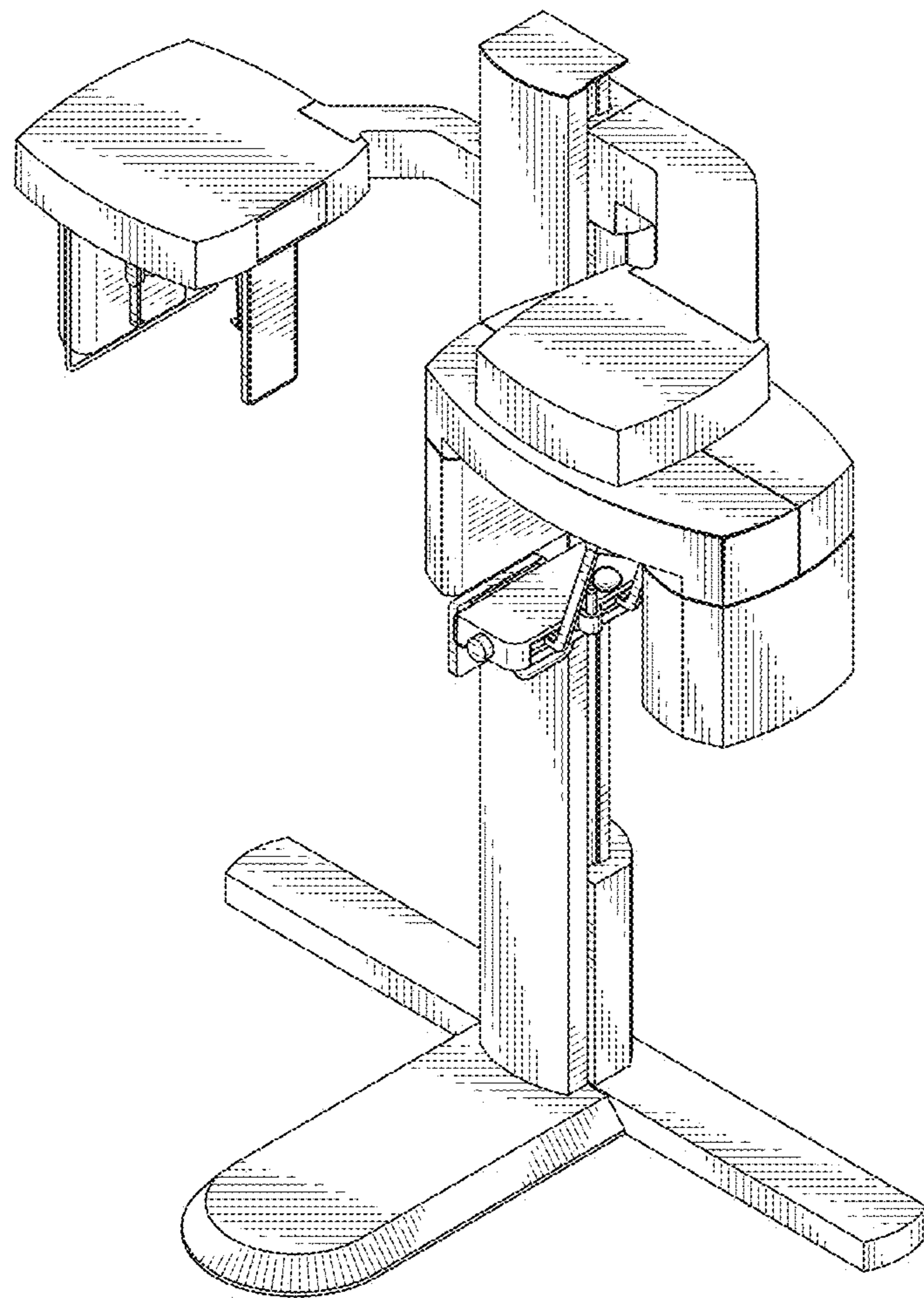


FIG.8

