



US00D839425S

(12) **United States Design Patent**  
**Zanata**

(10) **Patent No.:** **US D839,425 S**  
(45) **Date of Patent:** **\*\* Jan. 29, 2019**

(54) **HANDPIECE FOR A LASER THERAPY DEVICE**

(71) Applicant: **ELTECH K-LASER S.r.l.**, Treviso (IT)

(72) Inventor: **Andrea Zanata**, Treviso (IT)

(73) Assignee: **ELTECH K-LASER S.r.l.**, Treviso (IT)

(\*\*) Term: **15 Years**

(21) Appl. No.: **29/599,619**

(22) Filed: **Apr. 5, 2017**

(30) **Foreign Application Priority Data**

Oct. 10, 2016 (EM) ..... 003413210

(51) **LOC (11) Cl.** ..... **24-02**

(52) **U.S. Cl.**  
USPC ..... **D24/144**

(58) **Field of Classification Search**  
USPC ..... D24/117, 129, 132, 133, 137, 138, 144,  
D24/146, 147; D8/107; 606/1, 41, 42,  
606/45, 49  
CPC ..... A61B 17/00; A61B 17/32; A61B 17/1622;  
A61B 17/1644; A61B 17/1626; A61B  
17/320016; A61B 18/14; A61B 18/1402;  
A61B 18/1477; A61B 2018/00708; A61N  
5/00; A61N 5/01; A61N 5/10; A61N  
2007/0056; A61N 2007/0086  
See application file for complete search history.

(56) **References Cited**

**U.S. PATENT DOCUMENTS**

D267,199 S \* 12/1982 Koenig ..... D24/129  
D296,592 S \* 7/1988 Wellenstam ..... D24/129  
D389,912 S \* 1/1998 Emerson ..... D24/133  
D597,668 S \* 8/2009 Woodruff ..... D24/133  
D645,965 S \* 9/2011 Muto ..... D24/146  
D652,919 S \* 1/2012 Sherwood ..... D24/133

D660,965 S \* 5/2012 Waclawik ..... D24/152  
D673,987 S \* 1/2013 Mirrer ..... D16/202  
8,512,364 B2 \* 8/2013 Kowalski ..... A61B 8/4455  
600/459  
D701,971 S \* 4/2014 Valen ..... D24/209  
D723,685 S \* 3/2015 Myers ..... A61M 37/0076  
D24/133  
D750,258 S \* 2/2016 Crossley ..... D24/129  
D768,854 S \* 10/2016 Halleck ..... D24/138

(Continued)

*Primary Examiner* — Wan Laymon

*Assistant Examiner* — Clint A Samuel

(74) *Attorney, Agent, or Firm* — Timothy X. Gibson,  
Esq.; Gibson & Dernier LLP

(57) **CLAIM**

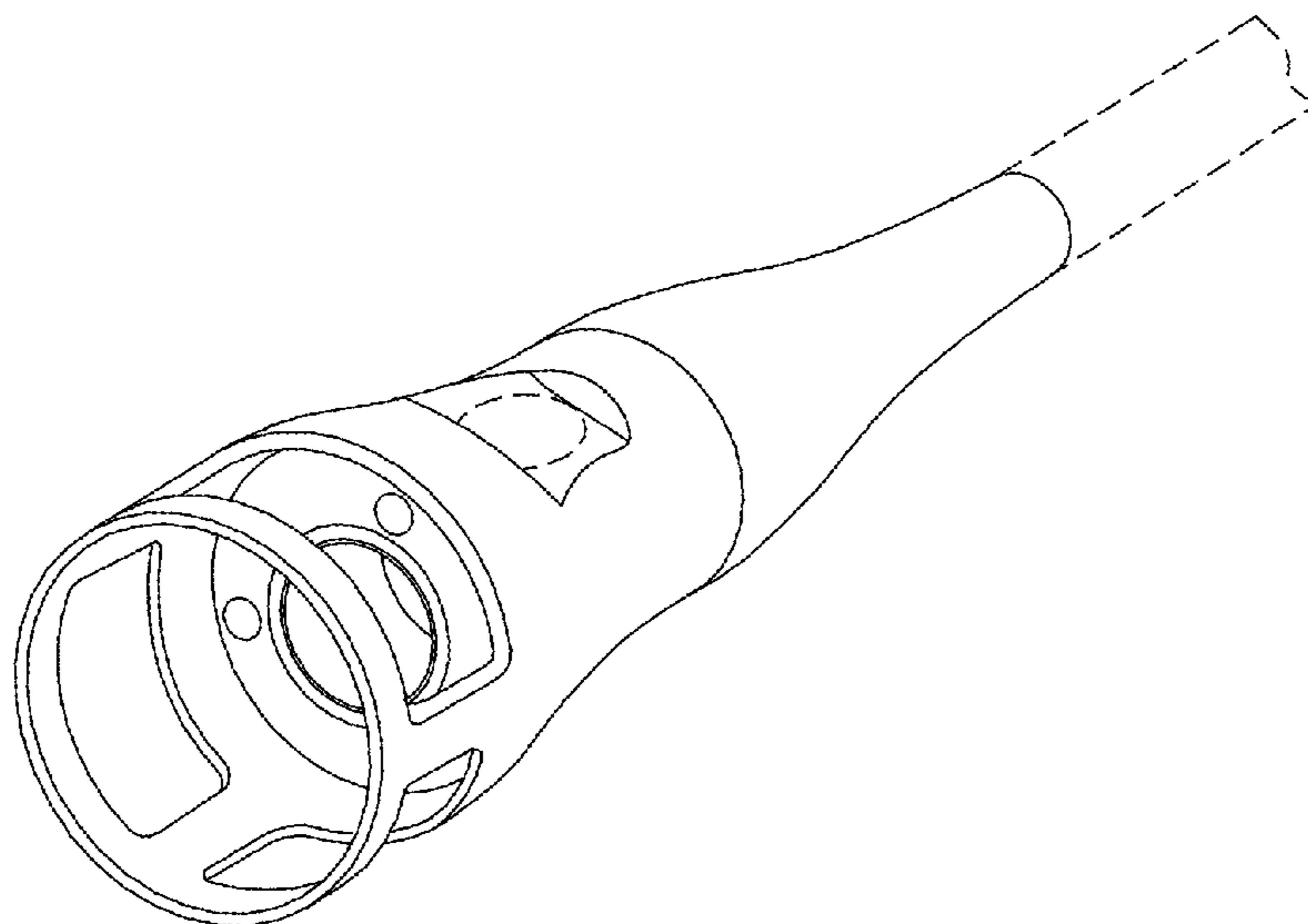
The ornamental design for a handpiece for a laser therapy device, as shown and described.

**DESCRIPTION**

FIG. 1 is a front perspective view of the handpiece for a laser therapy device;  
FIG. 2 is a rear view of the handpiece for a laser therapy device of FIG. 1;  
FIG. 3 is a front view of the handpiece for a laser therapy device of FIG. 1;  
FIG. 4 is a left view of the handpiece for a laser therapy device of FIG. 1;  
FIG. 5 is a right view of the handpiece for a laser therapy device of FIG. 1;  
FIG. 6 is a bottom plan view of the handpiece for a laser therapy device of FIG. 1; and,  
FIG. 7 is a top plan view of the handpiece for a laser therapy device of FIG. 1.

The broken line showing in the drawings is included for the purpose of illustrating unclaimed portions of the handpiece for a laser therapy device, and form no part of the claimed design.

**1 Claim, 7 Drawing Sheets**



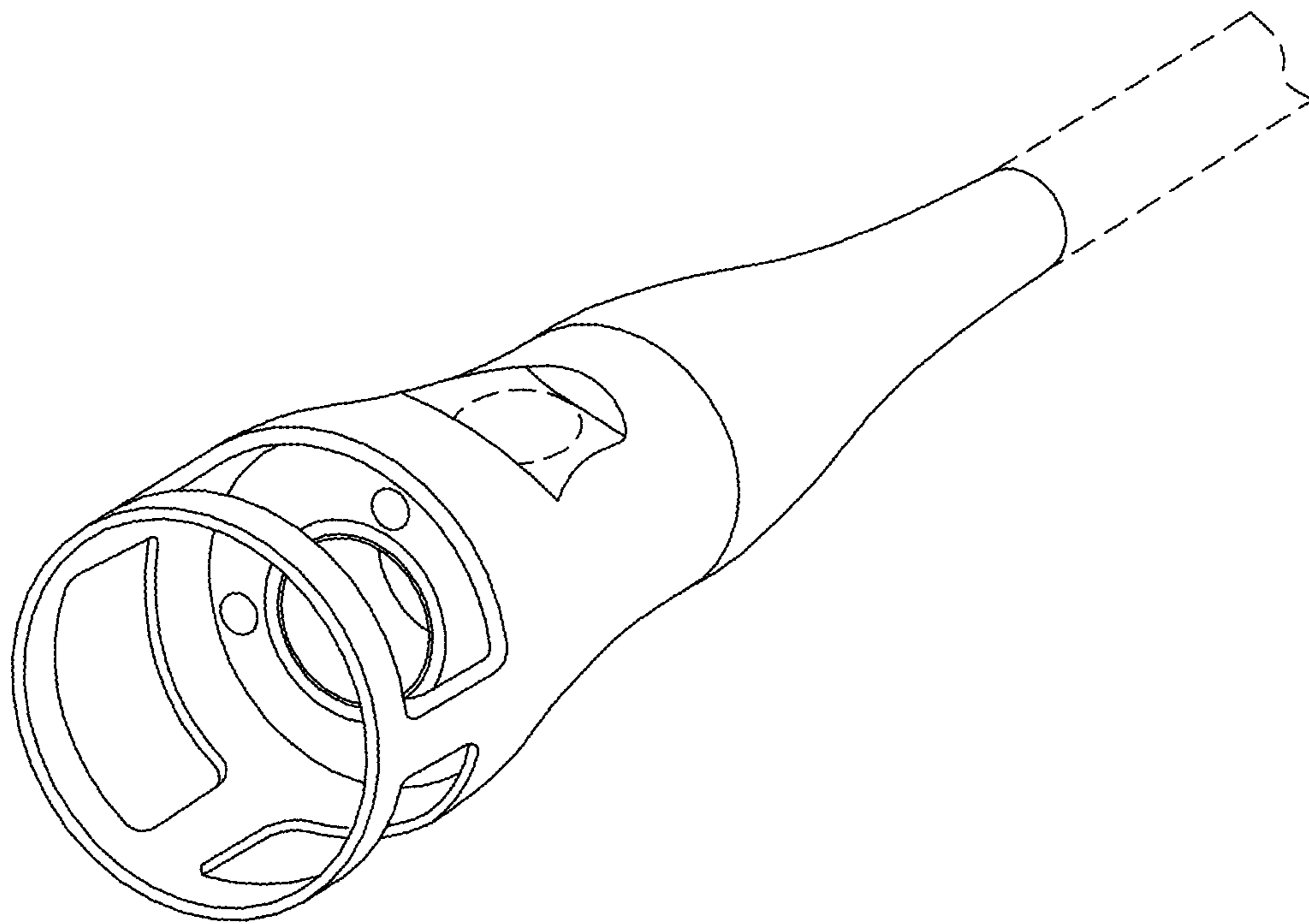
(56)

**References Cited**

U.S. PATENT DOCUMENTS

D773,661 S \* 12/2016 Funakoshi ..... D24/138  
 D782,667 S \* 3/2017 Fuhr ..... D24/137  
 D786,430 S \* 5/2017 Davies ..... D24/144  
 D788,301 S \* 5/2017 Edwards ..... D24/146  
 D805,640 S \* 12/2017 Lee ..... D24/144  
 D816,211 S \* 4/2018 Guala ..... D24/110.6  
 D818,122 S \* 5/2018 Oberkircher ..... D24/133  
 D819,207 S \* 5/2018 Blank ..... D24/144  
 2004/0098006 A1 \* 5/2004 Nakanishi ..... A61B 17/1631  
 606/170  
 2005/0015078 A1 \* 1/2005 Tamaki ..... A61N 5/0603  
 606/15  
 2007/0191821 A1 \* 8/2007 Boxer Wachler ..... A61B 18/20  
 606/9  
 2010/0004586 A1 \* 1/2010 Boukhny ..... A61B 17/320068  
 604/22  
 2013/0041431 A1 \* 2/2013 Gerlitz ..... A61N 5/0613  
 607/89  
 2013/0046363 A1 \* 2/2013 Thomas ..... A61N 5/0613  
 607/89  
 2013/0304164 A1 \* 11/2013 Zanata ..... A61N 5/0616  
 607/89  
 2014/0336732 A1 \* 11/2014 Gerlitz ..... A61B 18/203  
 607/89  
 2015/0224332 A1 \* 8/2015 Hewitson ..... A61N 5/06  
 607/89  
 2016/0184016 A1 \* 6/2016 Albright ..... A61B 18/203  
 606/11  
 2016/0192988 A1 \* 7/2016 Albright ..... A61B 18/22  
 606/11  
 2016/0321422 A1 \* 11/2016 Albright ..... G06F 19/3412

\* cited by examiner



*FIG. 1*

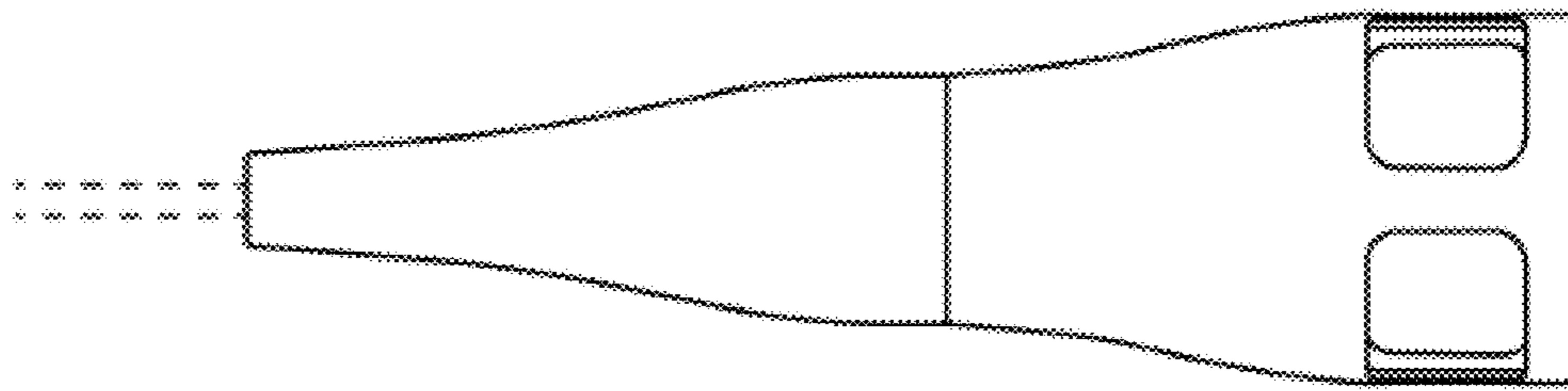


Fig. 2

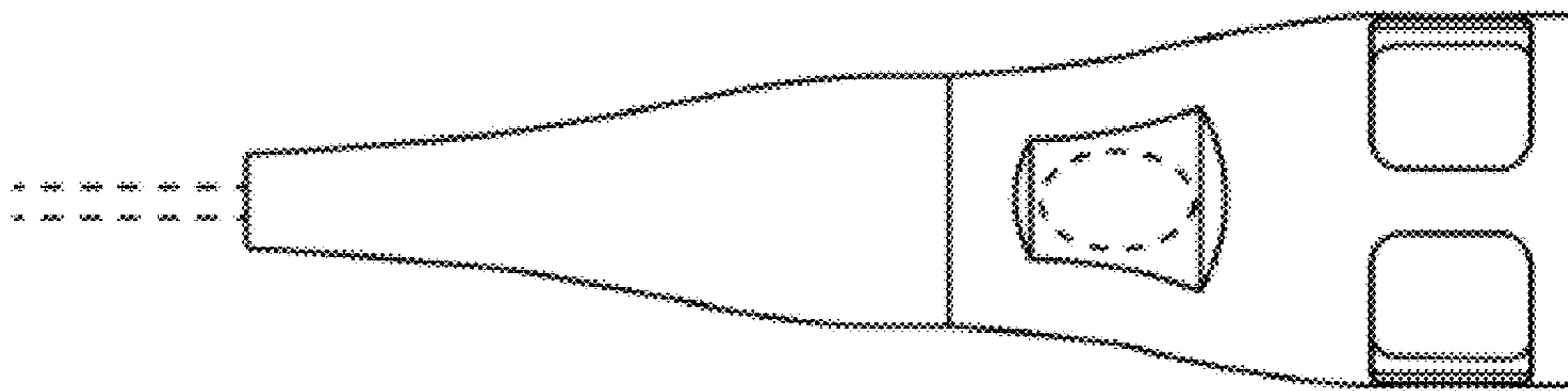


Fig. 3

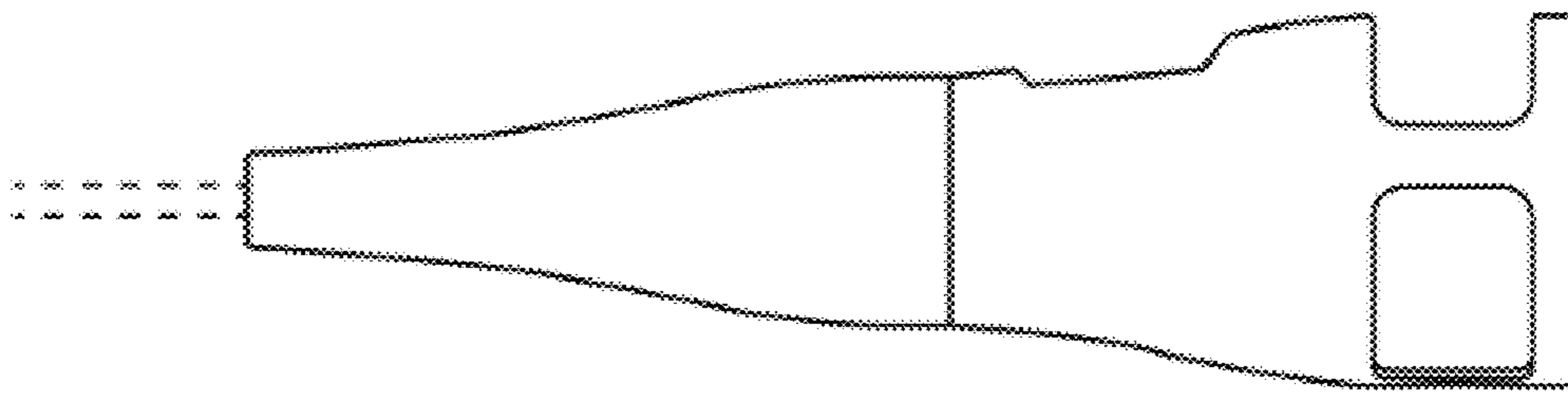


Fig. 4

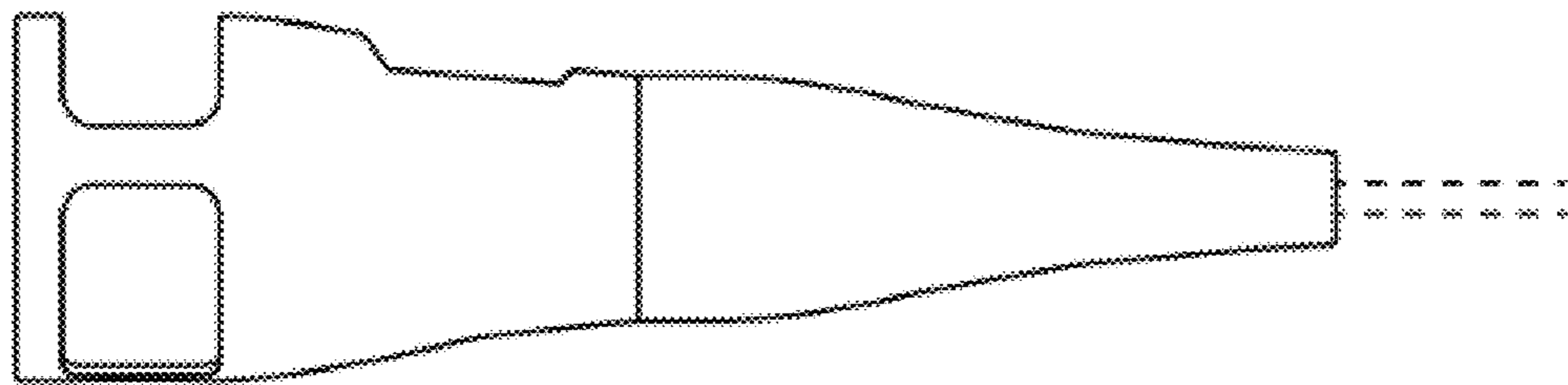


Fig. 5

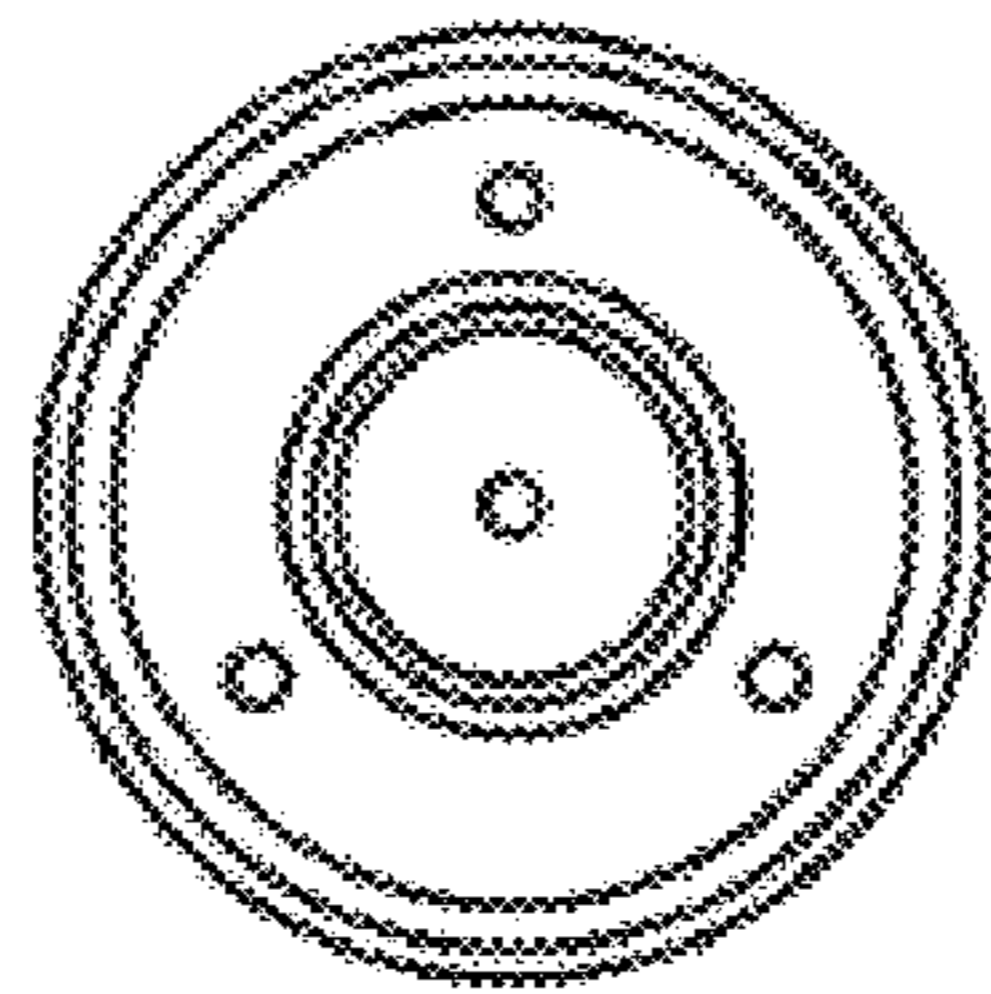


Fig. 6



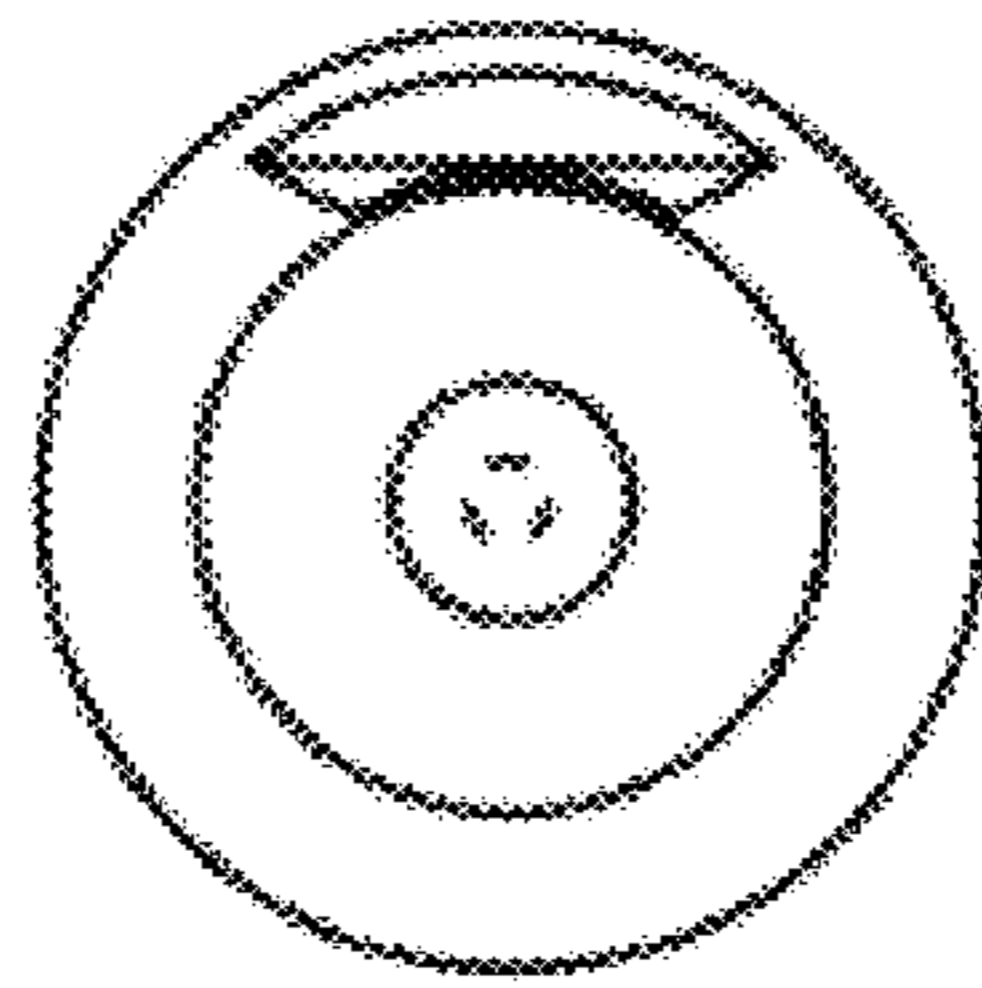


Fig. 7