



US00D839424S

(12) **United States Design Patent** (10) **Patent No.:** **US D839,424 S**  
**Golosarsky et al.** (45) **Date of Patent:** **\*\* Jan. 29, 2019**

(54) **HANDHELD NEUROSCREENING DEVICE**  
(71) Applicants: **Boris Golosarsky**, Hollis, NH (US);  
**James Bernhard**, Plainville, MA (US);  
**Michael Brown**, Nashua, NH (US);  
**Craig Norton**, Hudson, NH (US);  
**Matthew Rouleau**, Goffstown, NH (US)  
(72) Inventors: **Boris Golosarsky**, Hollis, NH (US);  
**James Bernhard**, Plainville, MA (US);  
**Michael Brown**, Nashua, NH (US);  
**Craig Norton**, Hudson, NH (US);  
**Matthew Rouleau**, Goffstown, NH (US)  
(73) Assignee: **Prosenex LLC**, Hudson, NH (US)  
(\*\*) Term: **15 Years**  
(21) Appl. No.: **29/599,442**  
(22) Filed: **Apr. 3, 2017**

**Related U.S. Application Data**

(63) Continuation of application No. 14/061,786, filed on Oct. 24, 2013, now Pat. No. 9,610,039.  
(51) **LOC (11) Cl.** ..... **24-02**  
(52) **U.S. Cl.**  
USPC ..... **D24/142**  
(58) **Field of Classification Search**  
USPC ..... D24/142, 133, 147, 200, 214  
CPC ... A61B 5/0051; A61B 5/0053; A61B 5/4824;  
A61B 5/4827; A61B 5/483; A61B 5/4893; A61B 5/224; A61B 5/441; A61B 5/4523; A61B 5/4528; A61B 5/4533  
See application file for complete search history.

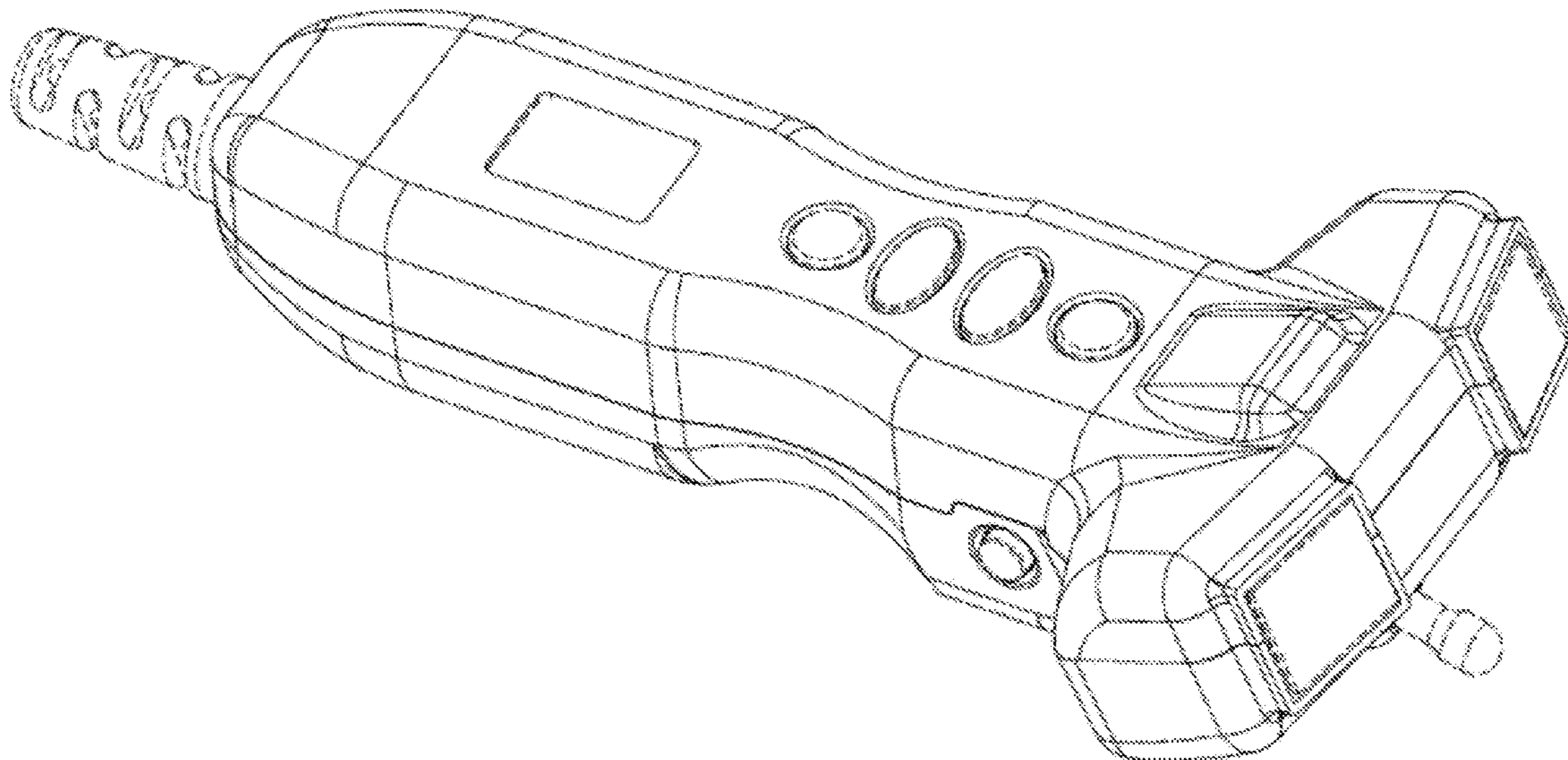
(56) **References Cited**  
U.S. PATENT DOCUMENTS  
D264,506 S \* 5/1982 McShirley ..... D24/142  
4,512,339 A \* 4/1985 McShirley ..... A61H 23/0218  
D24/200  
5,381,805 A \* 1/1995 Tuckett ..... A61B 5/0051  
600/552  
6,792,801 B2 \* 9/2004 Hoggan ..... A61B 5/4824  
73/379.02  
8,894,585 B2 \* 11/2014 Hasbun ..... A61B 5/0051  
600/301  
\* cited by examiner  
*Primary Examiner* — Wan Laymon  
(74) *Attorney, Agent, or Firm* — Joseph E. Maenner;  
Maenner & Associates, LLC

(57) **CLAIM**  
The ornamental design for a handheld neuroscreening device, as shown and described.

**DESCRIPTION**

FIG. 1 is a front perspective view of an ornamental design of a handheld neuroscreening device showing our new design.  
FIG. 2 is a reduced top plan view thereof.  
FIG. 3 is a reduced bottom plan view thereof.  
FIG. 4 is a right side elevational view thereof.  
FIG. 5 is a reduced left side elevational view thereof.  
FIG. 6 is a front elevational view thereof; and,  
FIG. 7 is a rear elevational view thereof.  
The broken lines in FIGS. 1-7 illustrate portions of the handheld neuroscreening device and form no part of the claimed design.

**1 Claim, 4 Drawing Sheets**



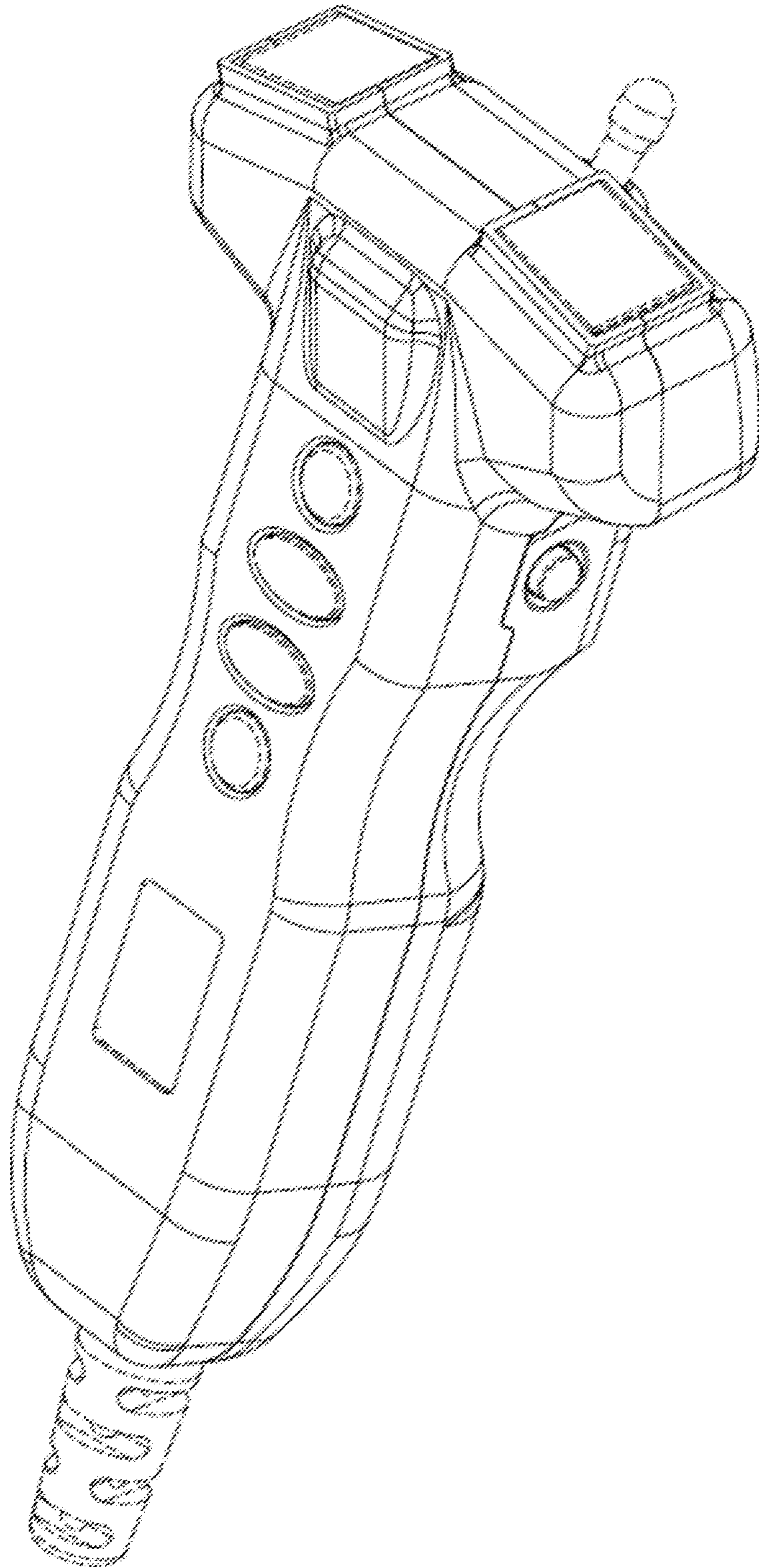


Fig. 1

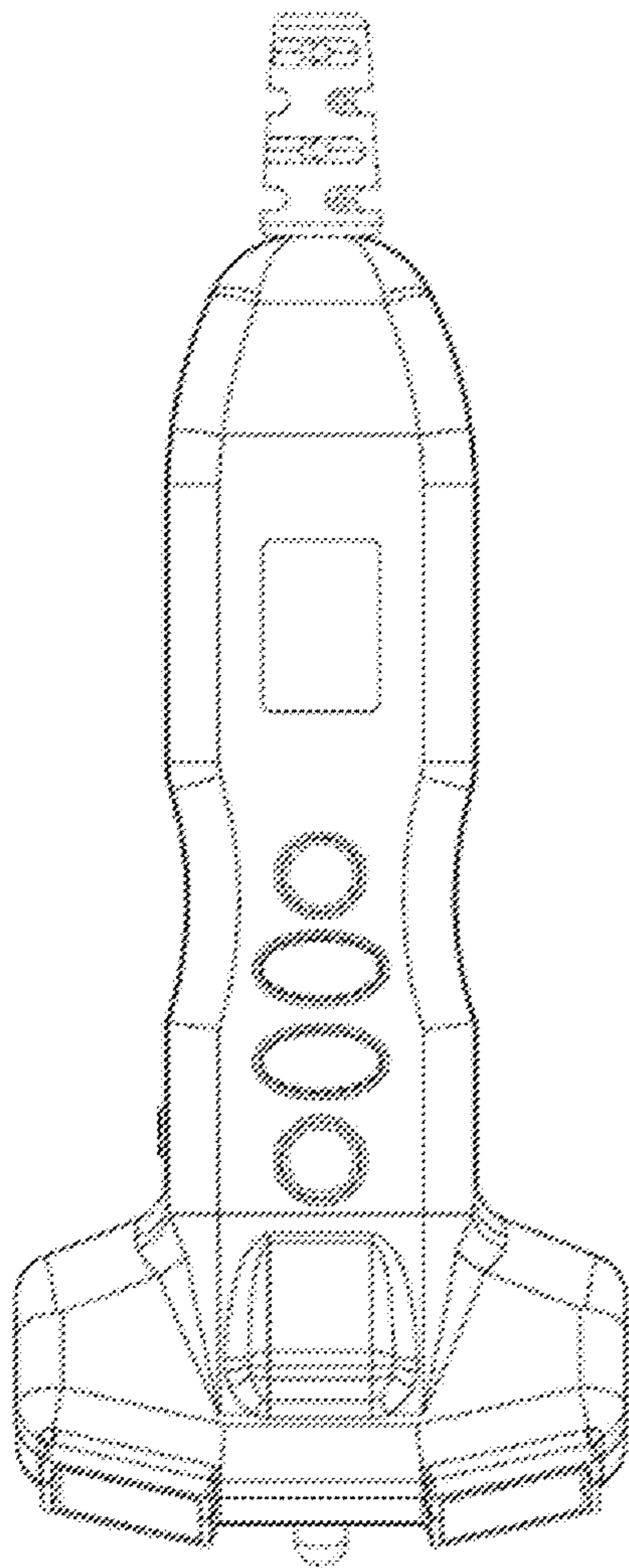


Fig. 2

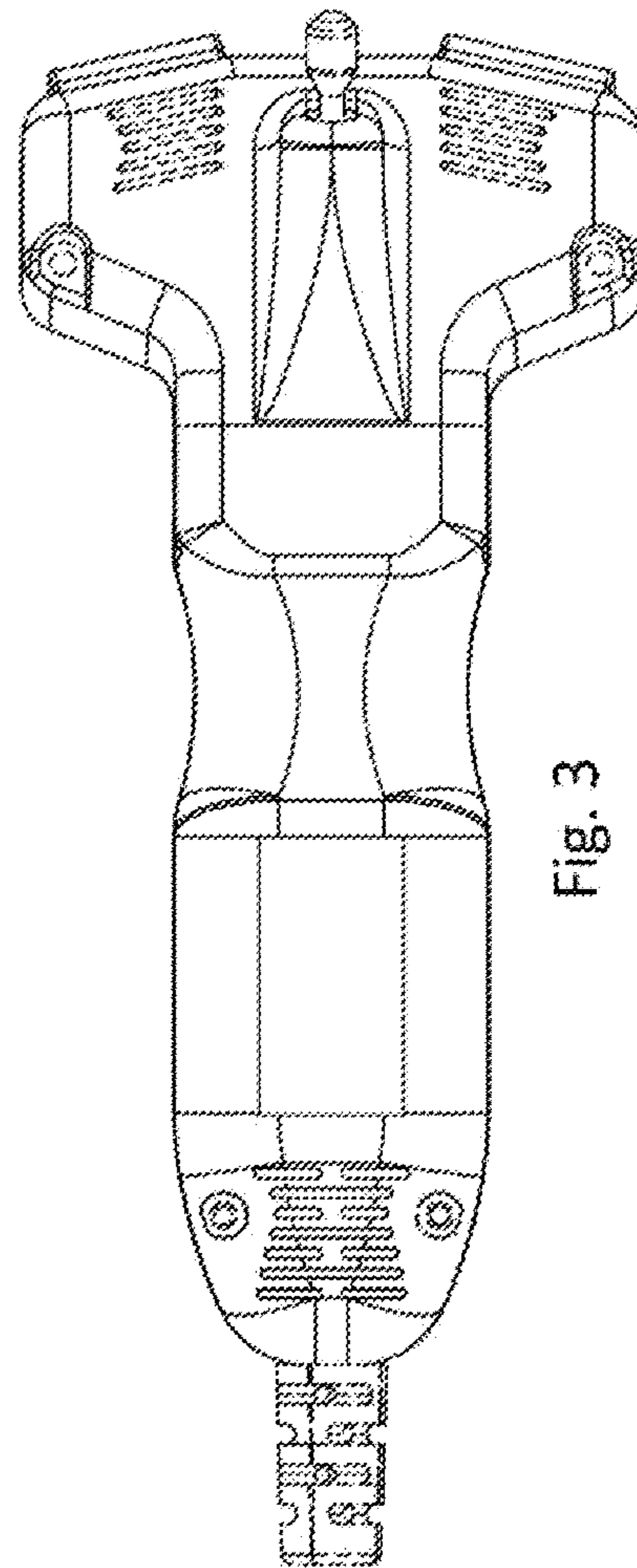


Fig. 3

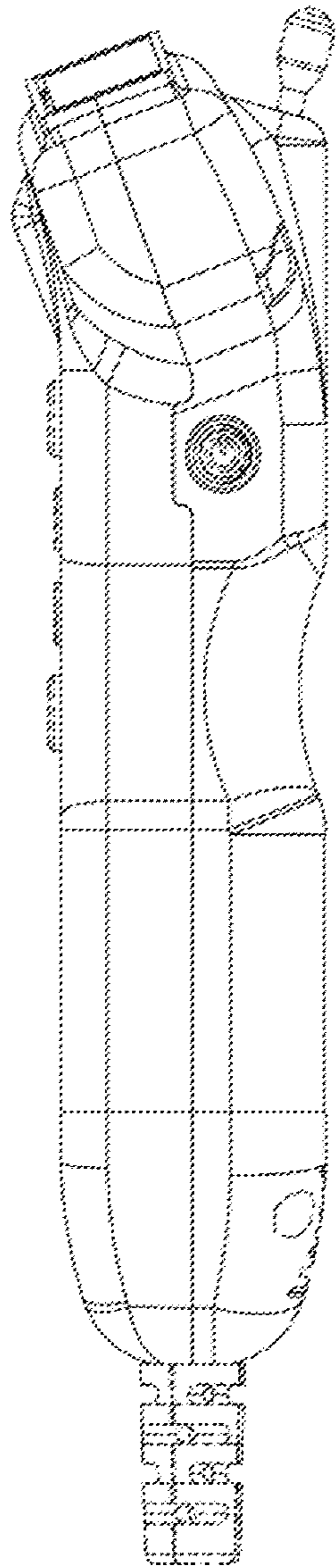


Fig. 4

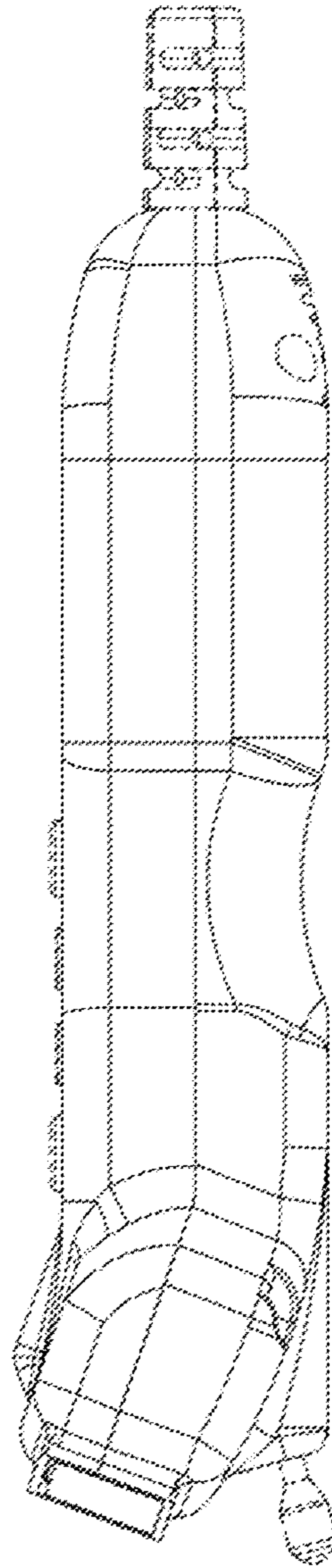


Fig. 5

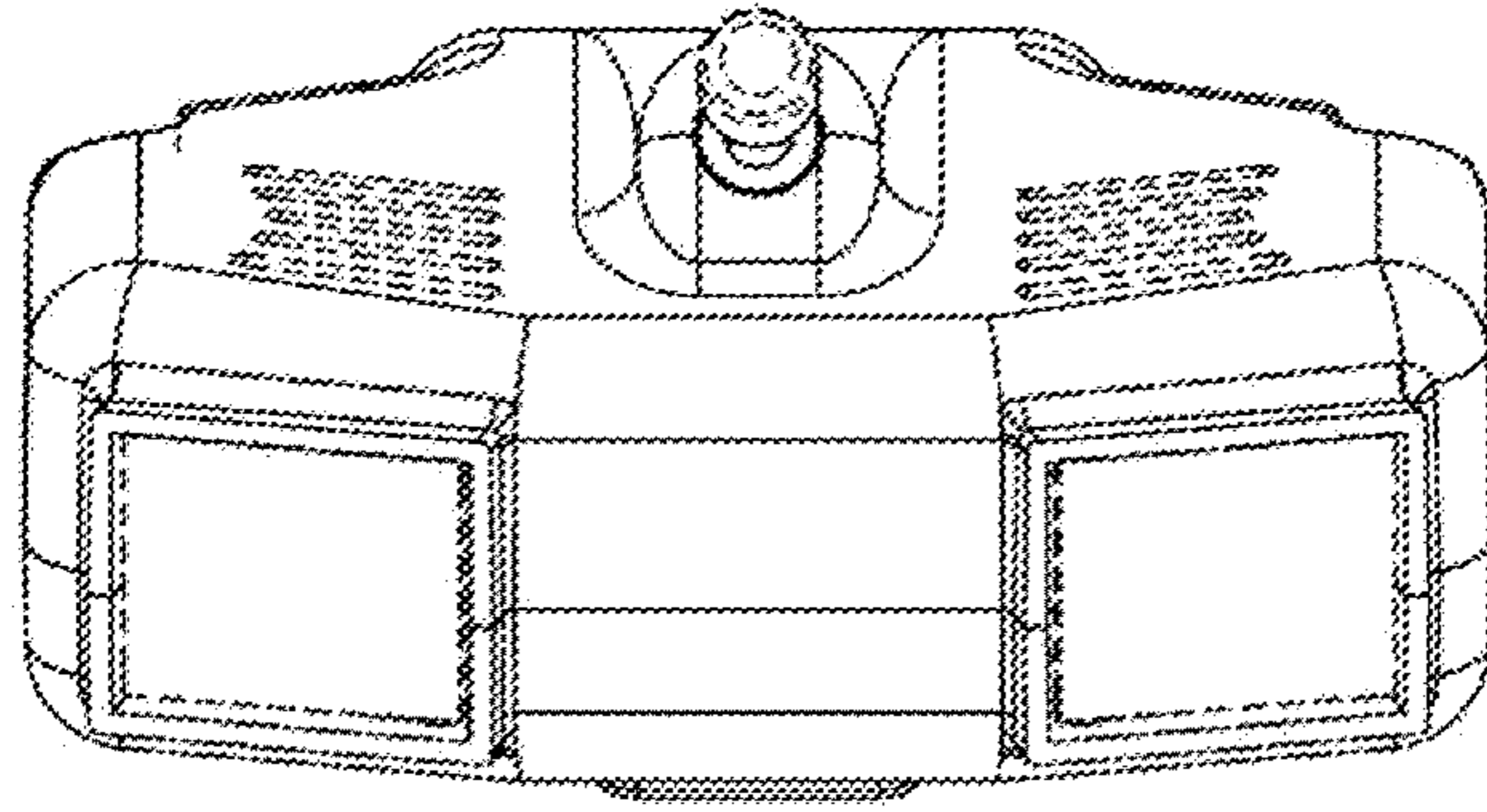


Fig. 6

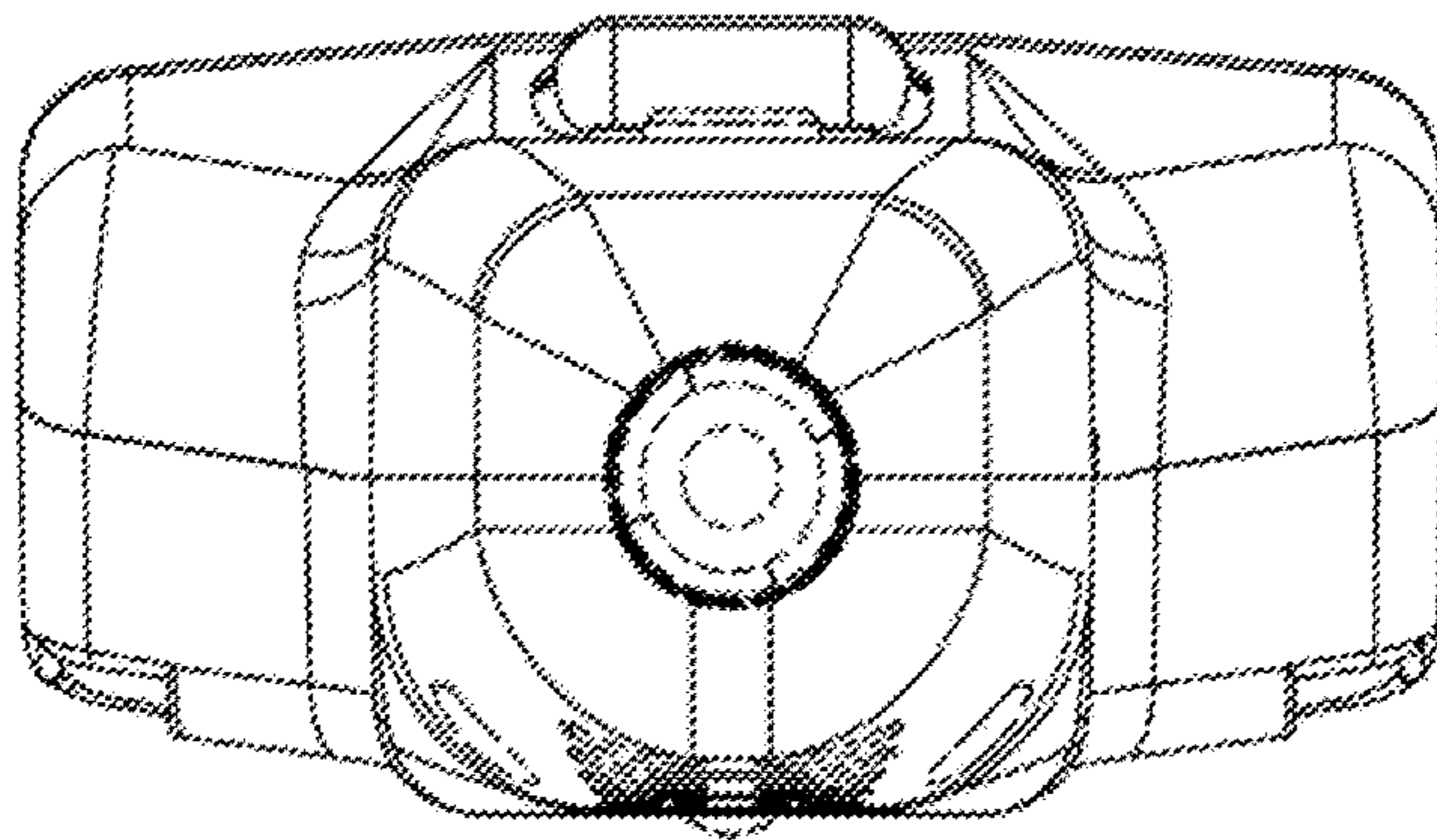


Fig. 7