



US00D839423S

(12) **United States Design Patent** (10) **Patent No.:** **US D839,423 S**  
**Großer et al.** (45) **Date of Patent:** **\*\* Jan. 29, 2019**

(54) **TOP ELEMENT OF A PROTECTIVE CAP FOR A SYRINGE**

(71) Applicant: **Gerresheimer Regensburg GmbH**, Regensburg (DE)

(72) Inventors: **Jörg Großer**, Lappersdorf (DE); **Udo Leuschner**, Regensburg (DE); **Vojan Vaclav**, Plzen (CZ)

(73) Assignee: **Gerresheimer Regensburg GmbH**, Regensburg (DE)

(\*\*) Term: **15 Years**

(21) Appl. No.: **29/589,461**

(22) Filed: **Dec. 30, 2016**

(30) **Foreign Application Priority Data**

Jul. 8, 2016 (EM) ..... 003300185-0001

(51) **LOC (11) Cl.** ..... **24-02**

(52) **U.S. Cl.**  
USPC ..... **D24/130**

(58) **Field of Classification Search**  
USPC ..... D24/127–131, 112–114, 133, 186;  
606/181, 185; 604/264, 523–528, 272,  
604/187, 158, 164.01–164.11, 181, 184,  
604/227; 600/101, 138, 143;  
128/200.24, 207.14, 207.15  
CPC ..... A61M 5/178; A61M 3/00; A61M 5/20;  
A61M 5/31; A61M 5/3146; A61M  
5/3129; A61M 5/3148; A61M 5/315  
See application file for complete search history.

(56) **References Cited**

**U.S. PATENT DOCUMENTS**

D399,559 S \* 10/1998 Molina ..... D24/112  
D447,799 S \* 9/2001 Jun ..... D24/130

D506,256 S \* 6/2005 Miyoshi ..... D24/108  
D616,092 S \* 5/2010 Domkowski ..... D24/129  
D655,000 S \* 2/2012 Mirigian ..... D24/130  
D747,472 S \* 1/2016 Bradley ..... D24/129  
D748,253 S \* 1/2016 Ratjen ..... D24/130  
D757,935 S \* 5/2016 Solingen ..... D24/133  
D777,324 S \* 1/2017 Nguyen ..... D24/127  
D784,525 S \* 4/2017 Nguyen ..... D24/127  
D794,781 S \* 8/2017 Gilbert ..... D24/129  
D797,928 S \* 9/2017 Davis ..... D24/130  
D797,929 S \* 9/2017 Davis ..... D24/130

\* cited by examiner

*Primary Examiner* — David G Muller

(74) *Attorney, Agent, or Firm* — Lowe Graham Jones PLLC

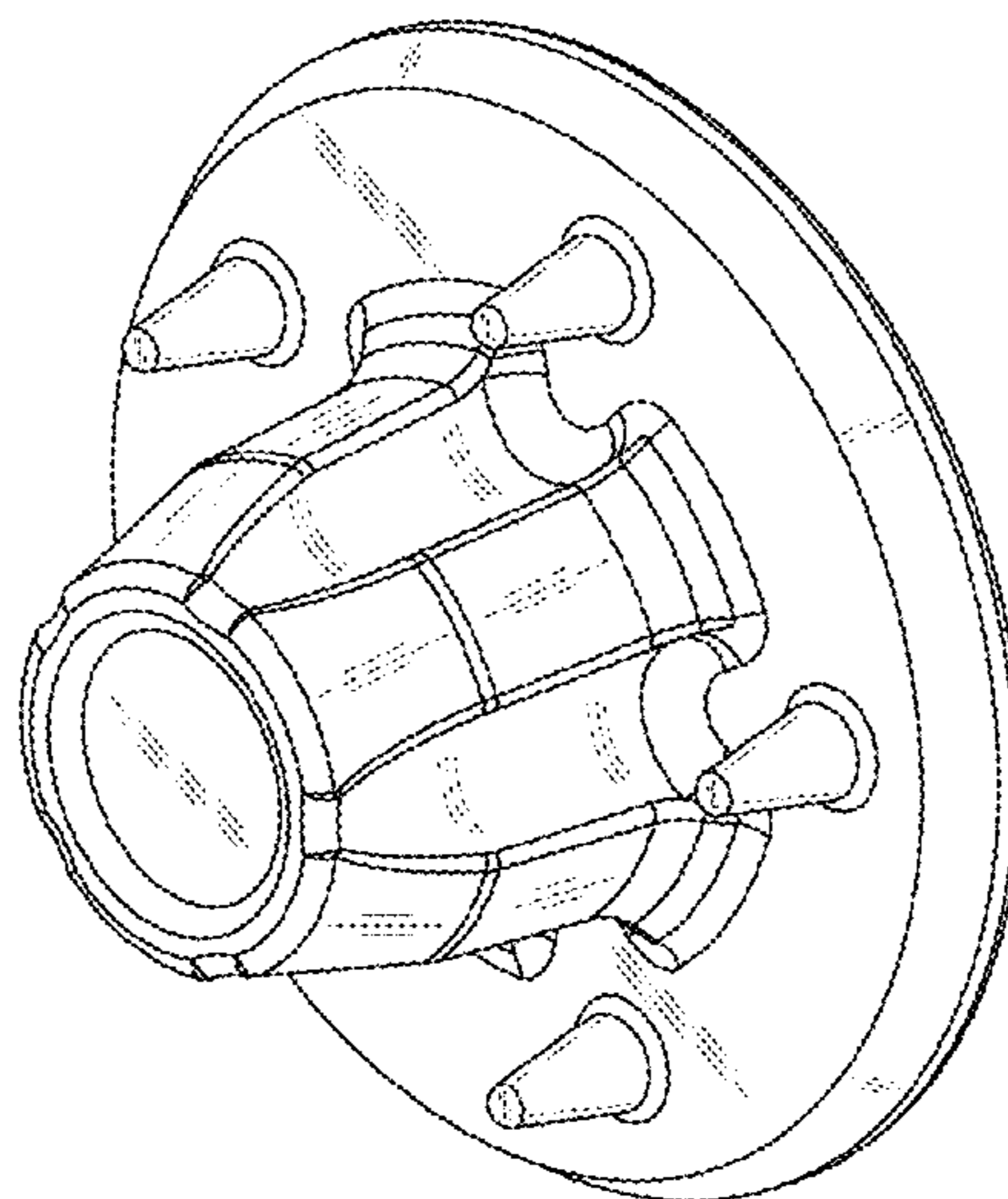
(57) **CLAIM**

We claim the ornamental design for a top element of a protective cap for a syringe, as shown and described.

**DESCRIPTION**

FIG. 1 is a perspective view at an angle from the front showing a top element of a protective cap for a syringe.  
FIG. 2 is a perspective view at an angle from the rear showing the top element of a protective cap for a syringe.  
FIG. 3 is a side view showing the top element of a protective cap for a syringe.  
FIG. 4 is a front view showing the top element of a protective cap for a syringe; and,  
FIG. 5 is a rear view showing the top element of a protective cap for a syringe.  
The surface shading is for purposes of illustrating the character and/or contour of the surfaces of the claimed invention and forms no part of the claimed design.

**1 Claim, 5 Drawing Sheets**



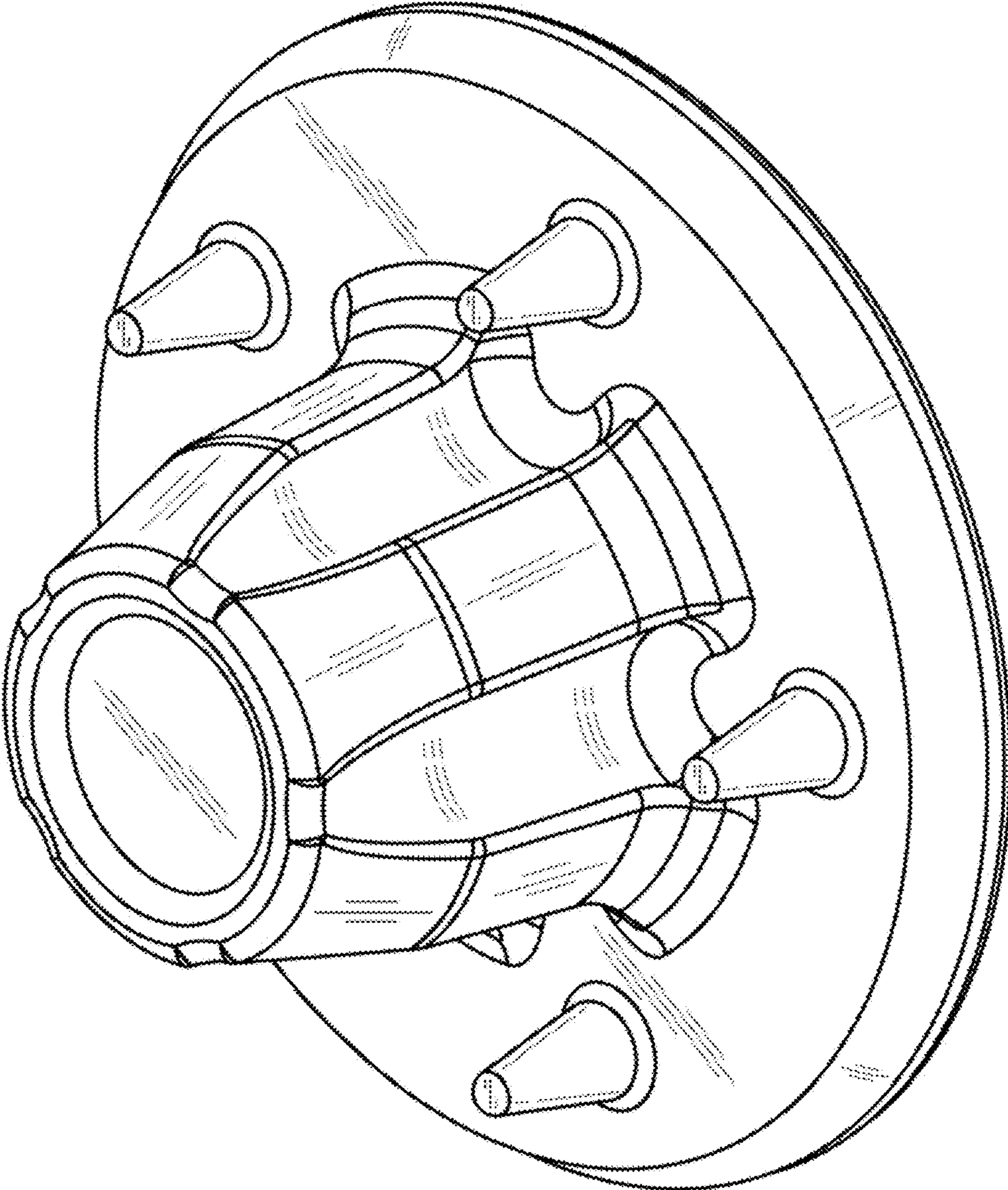


FIG. 1

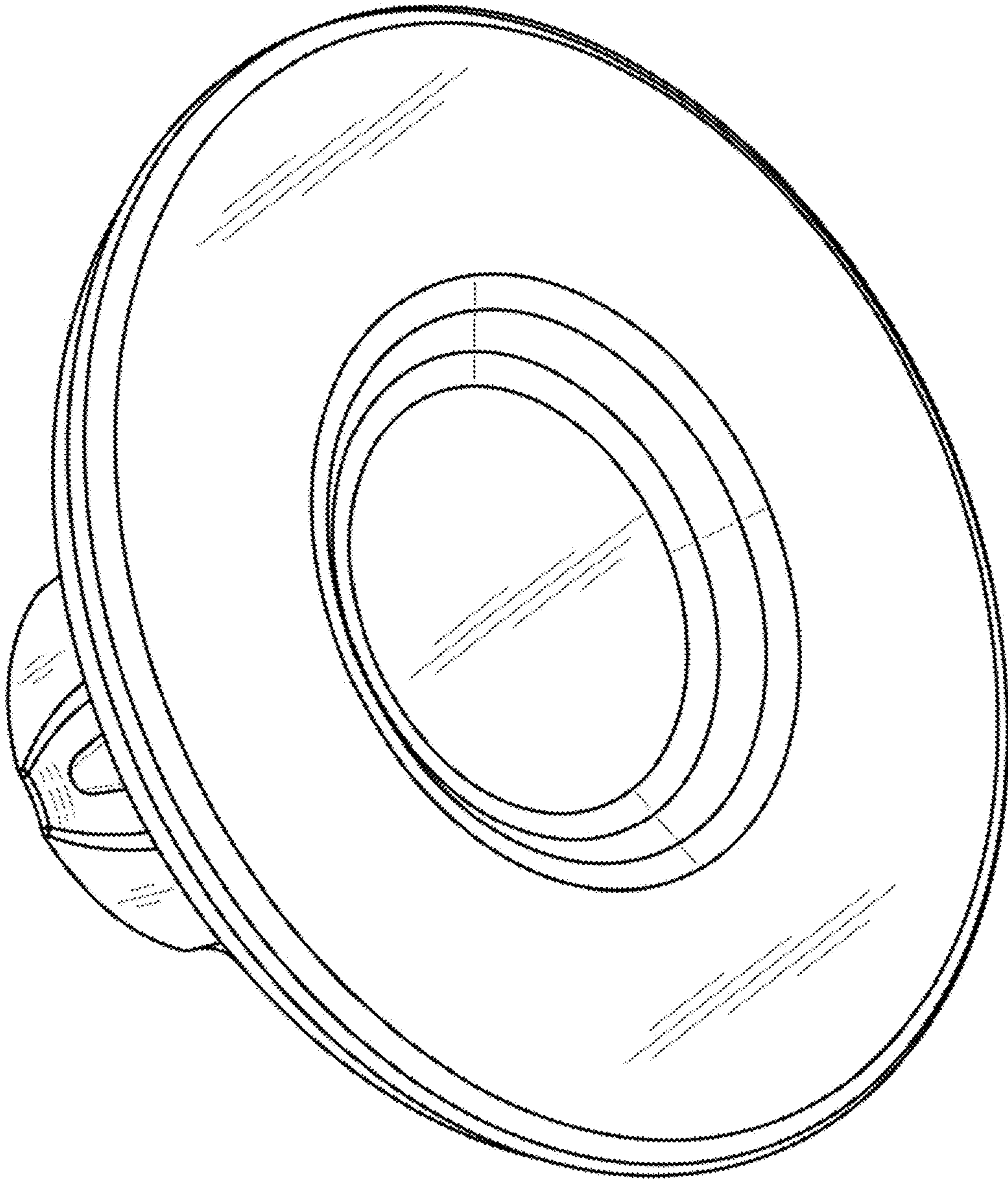


FIG. 2

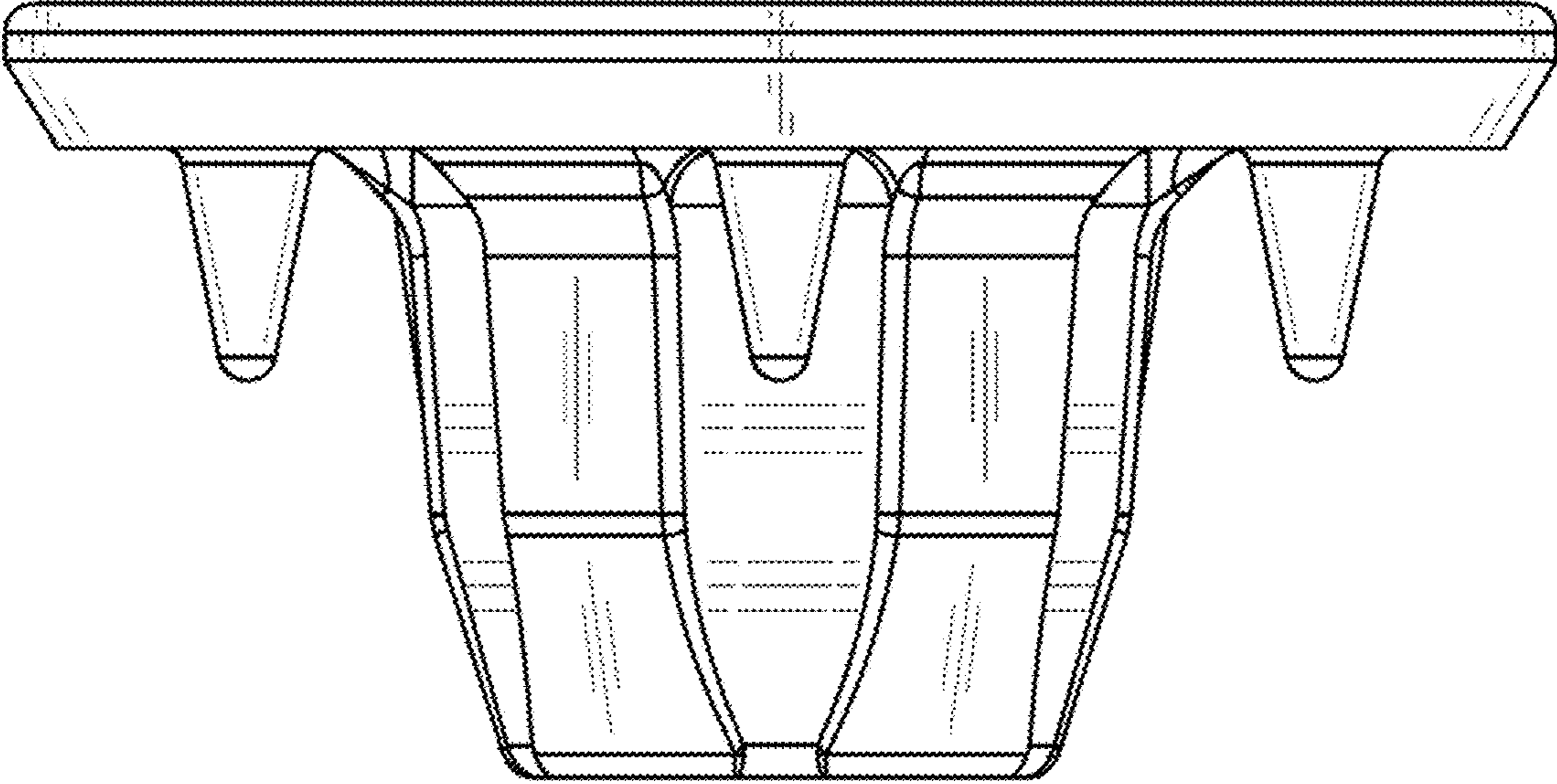


FIG. 3

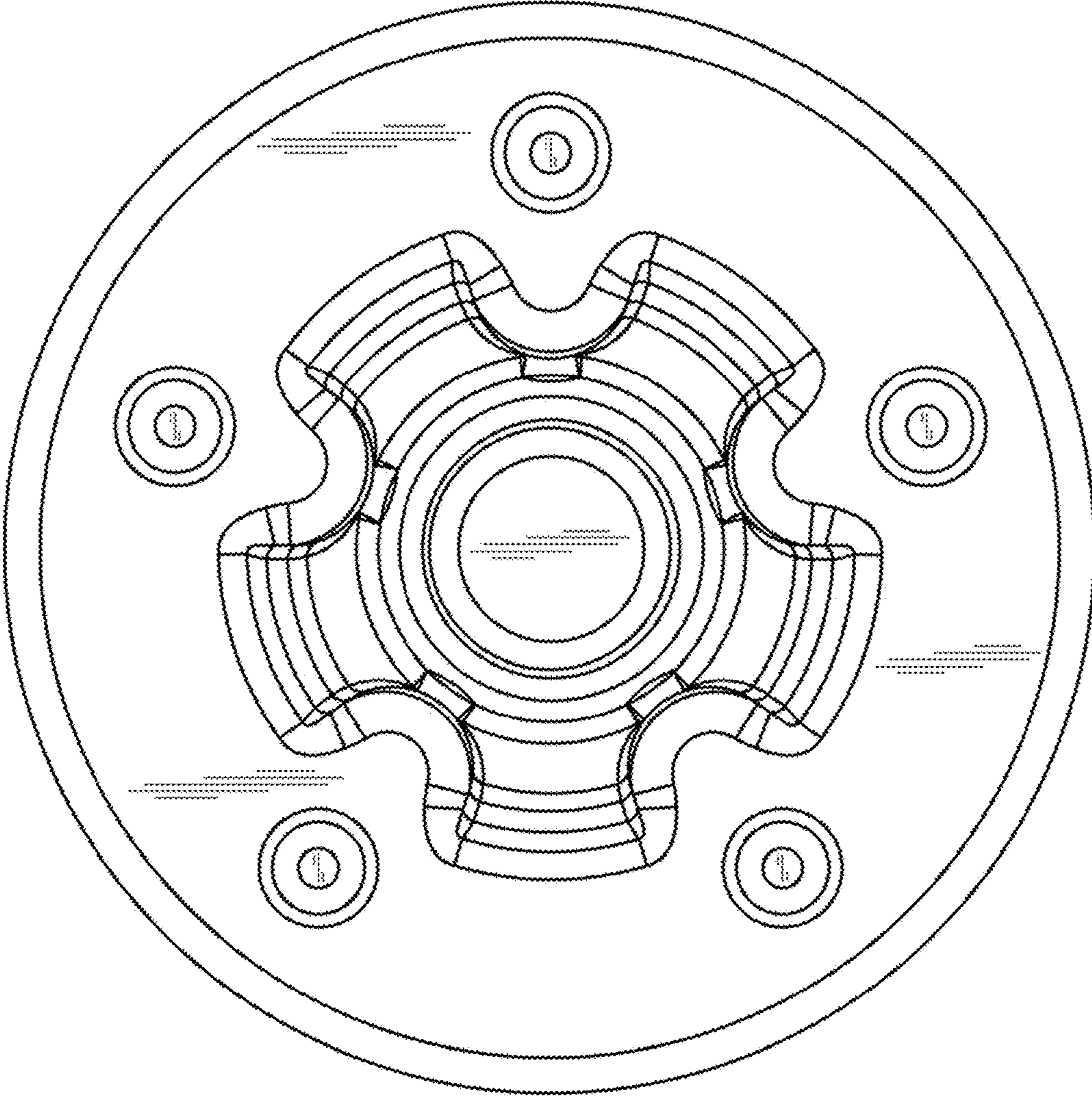


FIG. 4

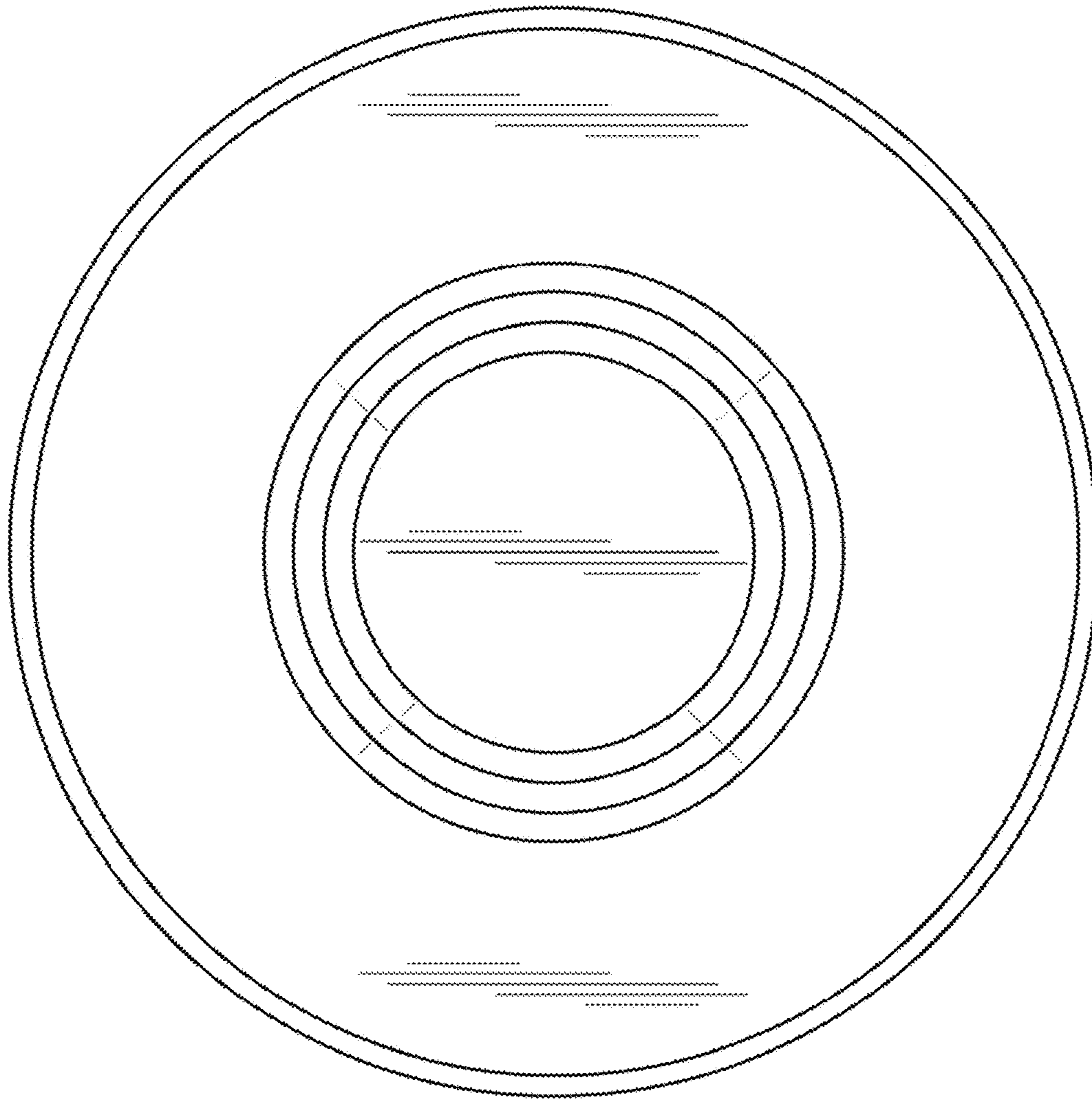


FIG. 5