



US00D839422S

(12) **United States Design Patent**  
**Großer et al.**

(10) **Patent No.:** **US D839,422 S**  
(45) **Date of Patent:** **\*\* Jan. 29, 2019**

(54) **NEEDLE PROTECTION FOR A SYRINGE DEVICE**

(71) Applicant: **Gerresheimer Regensburg GmbH**,  
Regensburg (DE)

(72) Inventors: **Jörg Großer**, Lappersdorf (DE); **Udo Leuschner**, Regensburg (DE); **Vojan Vaclav**, Plzen (CZ)

(73) Assignee: **Gerresheimer Regensburg GmbH**,  
Regensburg (DE)

(\*\*) Term: **15 Years**

(21) Appl. No.: **29/589,460**

(22) Filed: **Dec. 30, 2016**

(30) **Foreign Application Priority Data**

Jul. 8, 2016 (EM) ..... 003300144-0001

(51) **LOC (11) Cl.** ..... **24-02**

(52) **U.S. Cl.**  
USPC ..... **D24/130**

(58) **Field of Classification Search**  
USPC ..... D24/127–131, 112–114, 133, 186;  
606/181, 185; 604/264, 523–528, 272,  
604/187, 158, 164.01–164.11, 181, 184,  
604/227; 600/101, 139, 143;  
128/200.24, 207.14, 207.15  
CPC ..... A61M 5/178; A61M 3/00; A61M 5/20;  
A61M 5/31; A61M 5/3146; A61M  
5/3129; A61M 5/3148; A61M 5/315  
See application file for complete search history.

(56) **References Cited**

**U.S. PATENT DOCUMENTS**

6,146,361 A \* 11/2000 DiBiasi ..... A61M 5/347  
604/232  
D434,848 S \* 12/2000 Bellhouse ..... D24/113

6,203,492 B1 \* 3/2001 Davis ..... A61B 1/00057  
356/73.1  
D452,311 S \* 12/2001 Guala ..... D24/112  
6,796,963 B2 \* 9/2004 Carpenter ..... A61M 25/0084  
604/117  
7,347,840 B2 \* 3/2008 Findlay ..... A61B 10/025  
604/180  
D631,542 S \* 1/2011 DeGross ..... D24/129  
D655,001 S \* 2/2012 Becker ..... D24/130  
D713,028 S \* 9/2014 Yevmenenko ..... D24/130  
D724,199 S \* 3/2015 Bambot ..... D24/112  
9,440,030 B2 \* 9/2016 Holmqvist ..... A61M 5/31525  
D797,281 S \* 9/2017 Ohashi ..... D24/130  
D809,656 S \* 2/2018 Lau ..... D24/129

\* cited by examiner

*Primary Examiner* — David G Muller

(74) *Attorney, Agent, or Firm* — Lowe Graham Jones  
PLLC

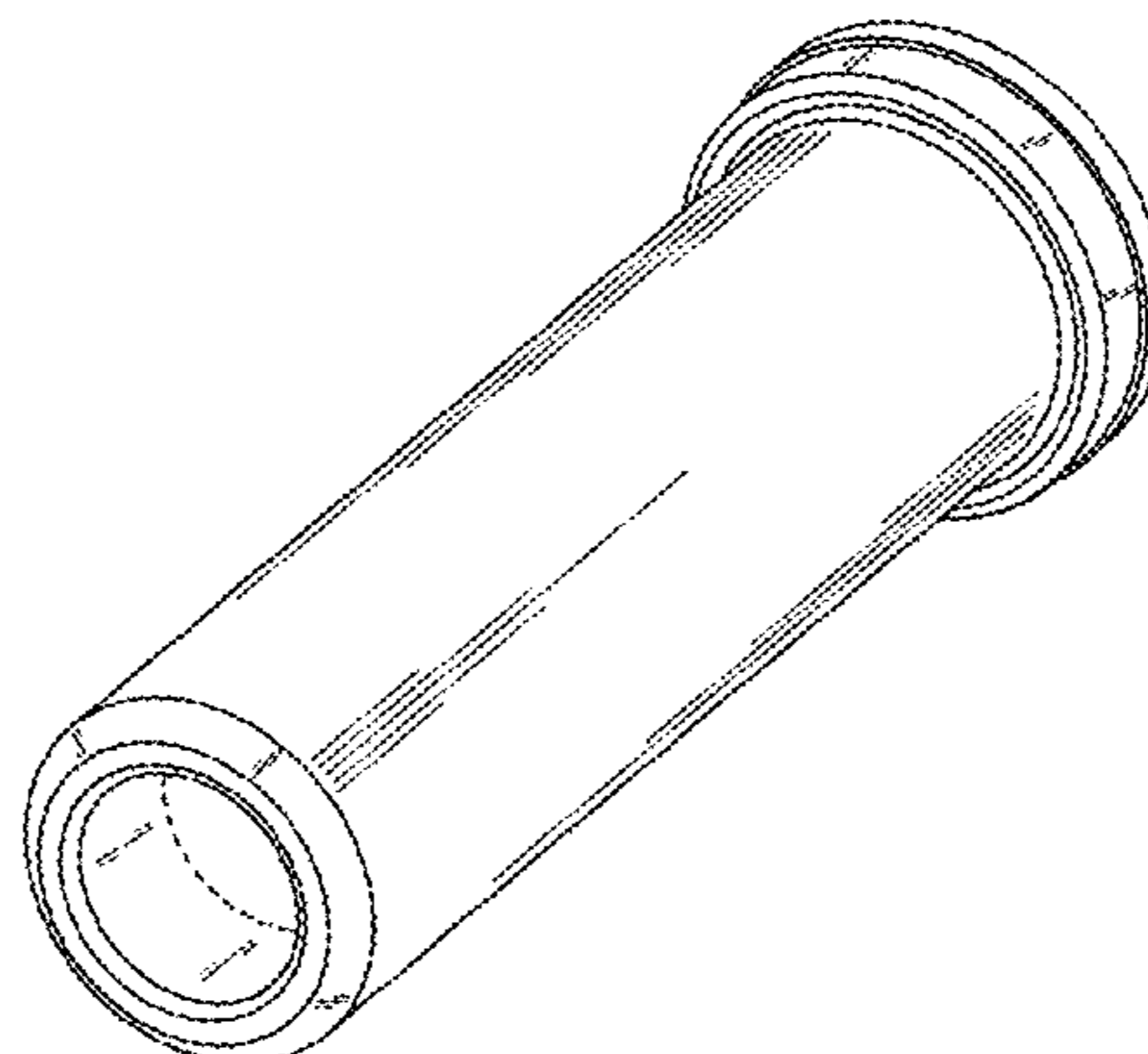
(57) **CLAIM**

We claim the ornamental design for a needle protection for a syringe device, as shown and described.

**DESCRIPTION**

FIG. 1 is a perspective view at an angle from the front illustrating a needle protection for a syringe device.  
FIG. 2 is a perspective view at an angle from the rear illustrating the needle protection for a syringe device.  
FIG. 3 is a side view illustrating the needle protection for a syringe device.  
FIG. 4 is a front view illustrating the needle protection for a syringe device; and,  
FIG. 5 is a rear view illustrating the needle protection for a syringe device.  
The broken lines represent portions of the article and form no part of the claimed design.

**1 Claim, 5 Drawing Sheets**



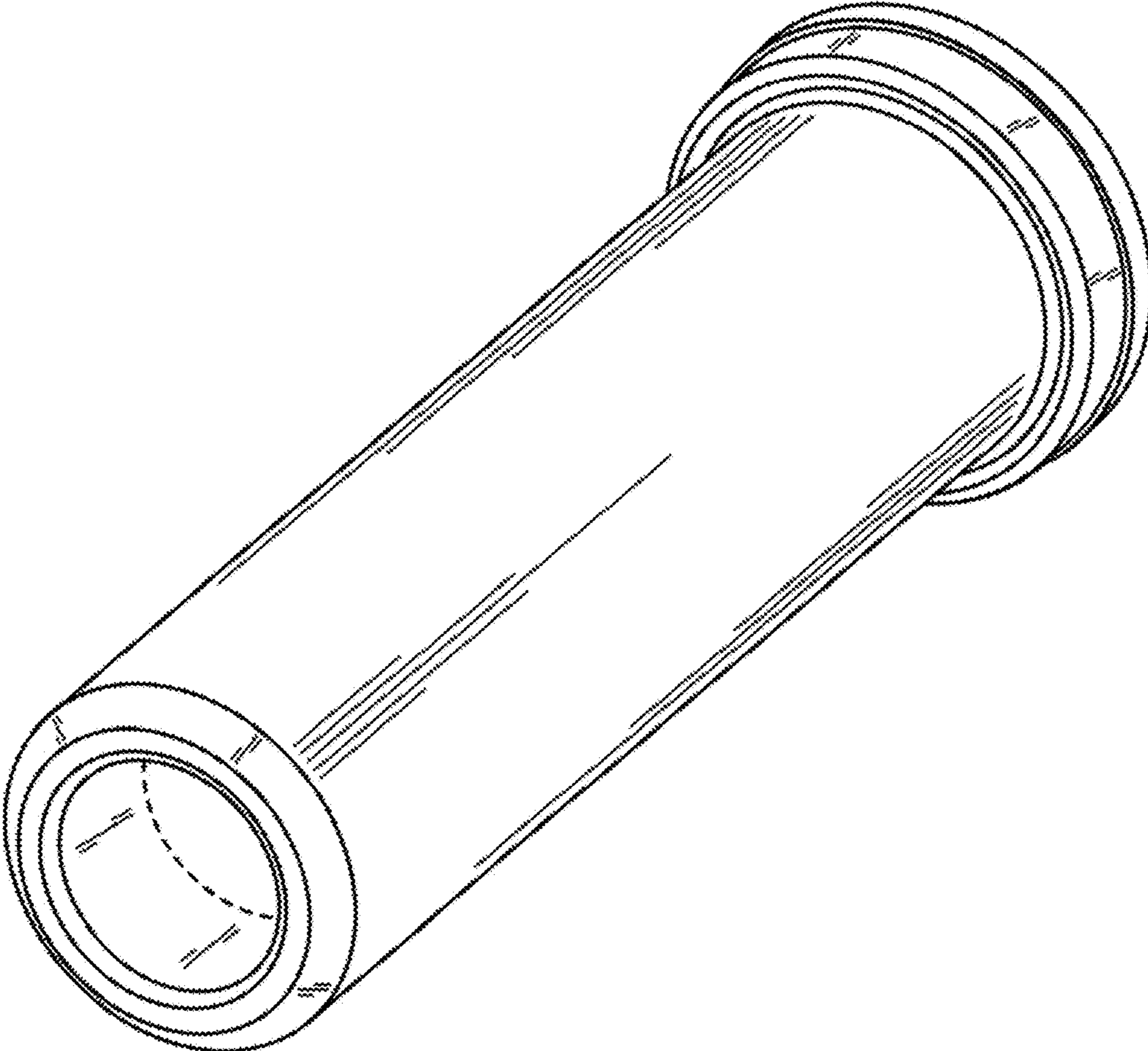


FIG. 1

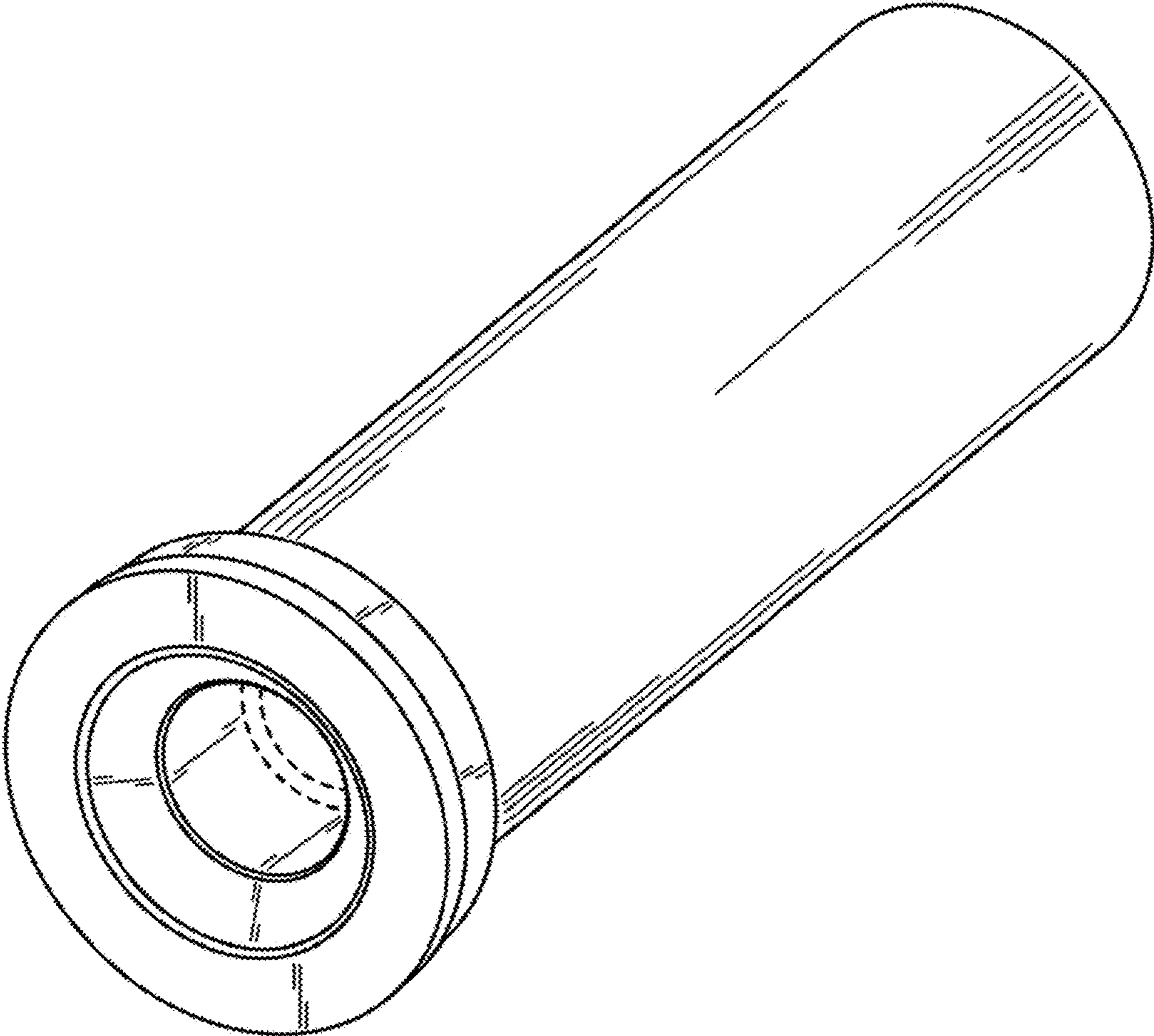


FIG. 2

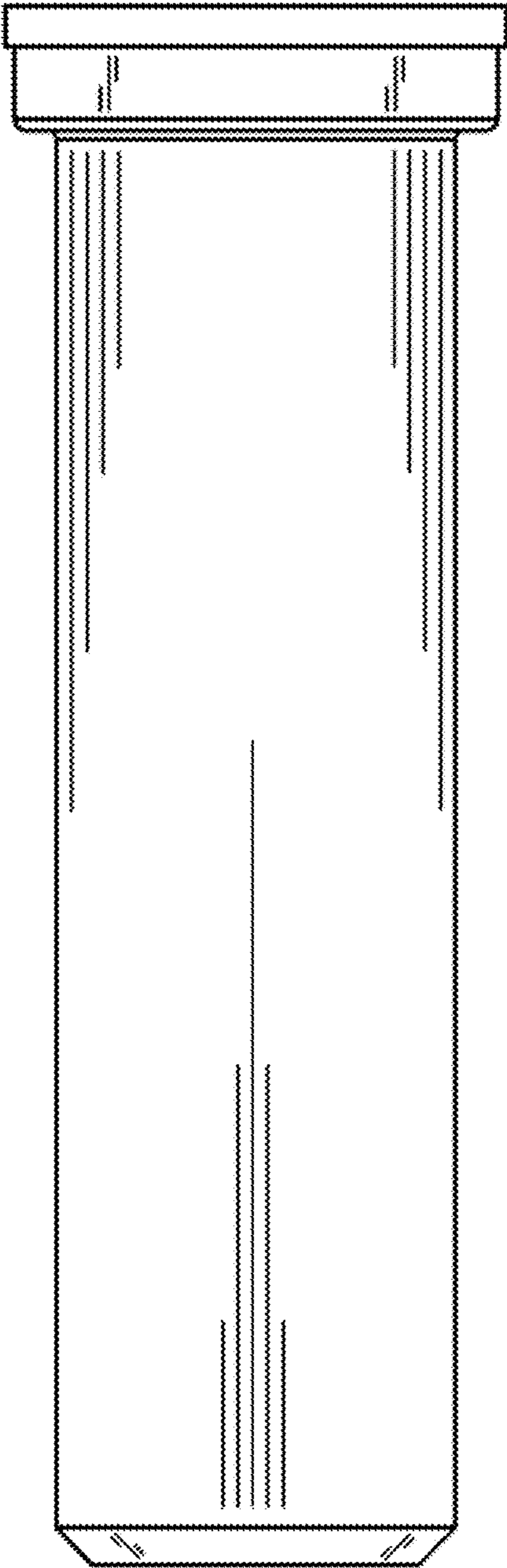


FIG. 3

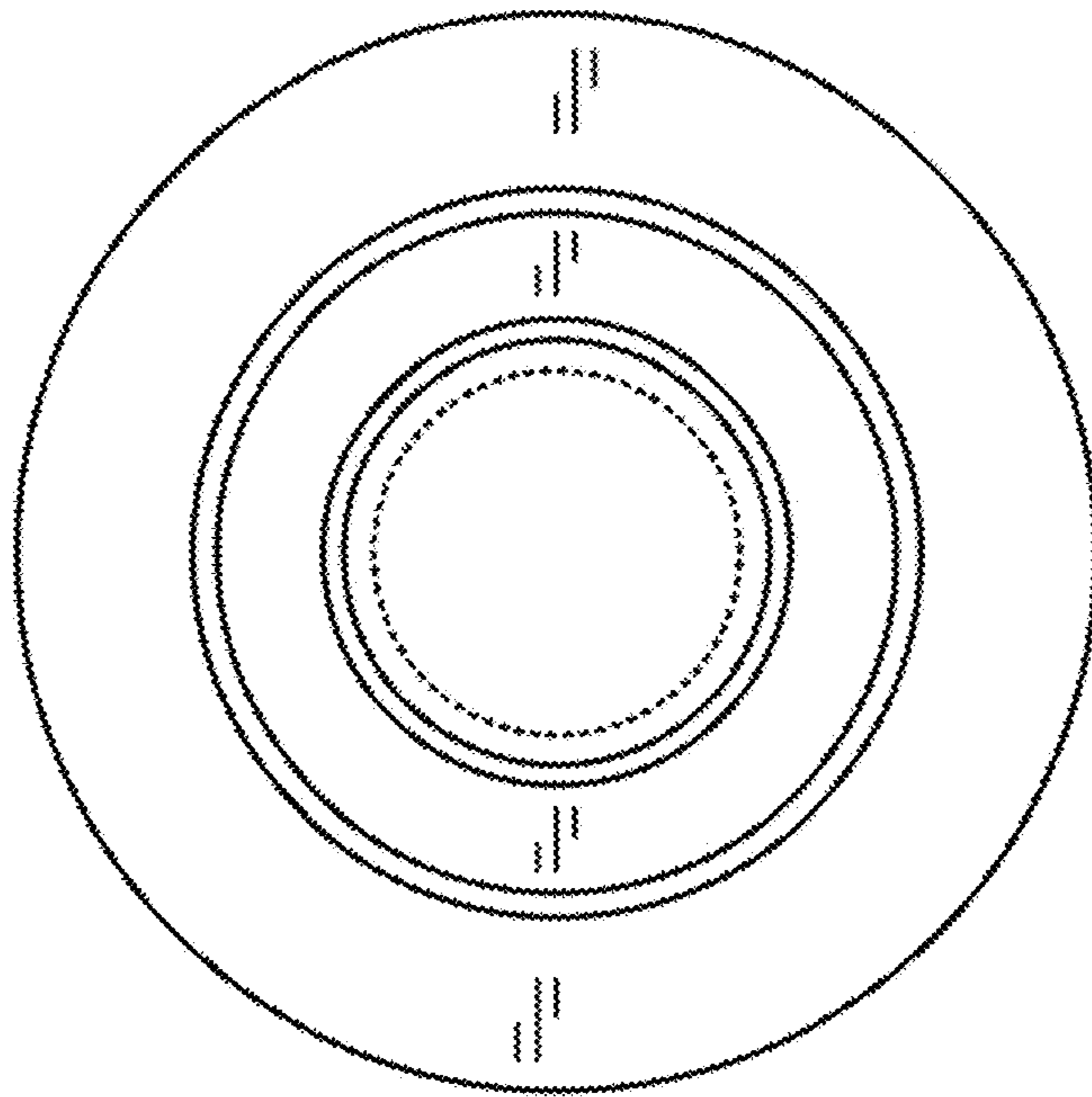


FIG. 4



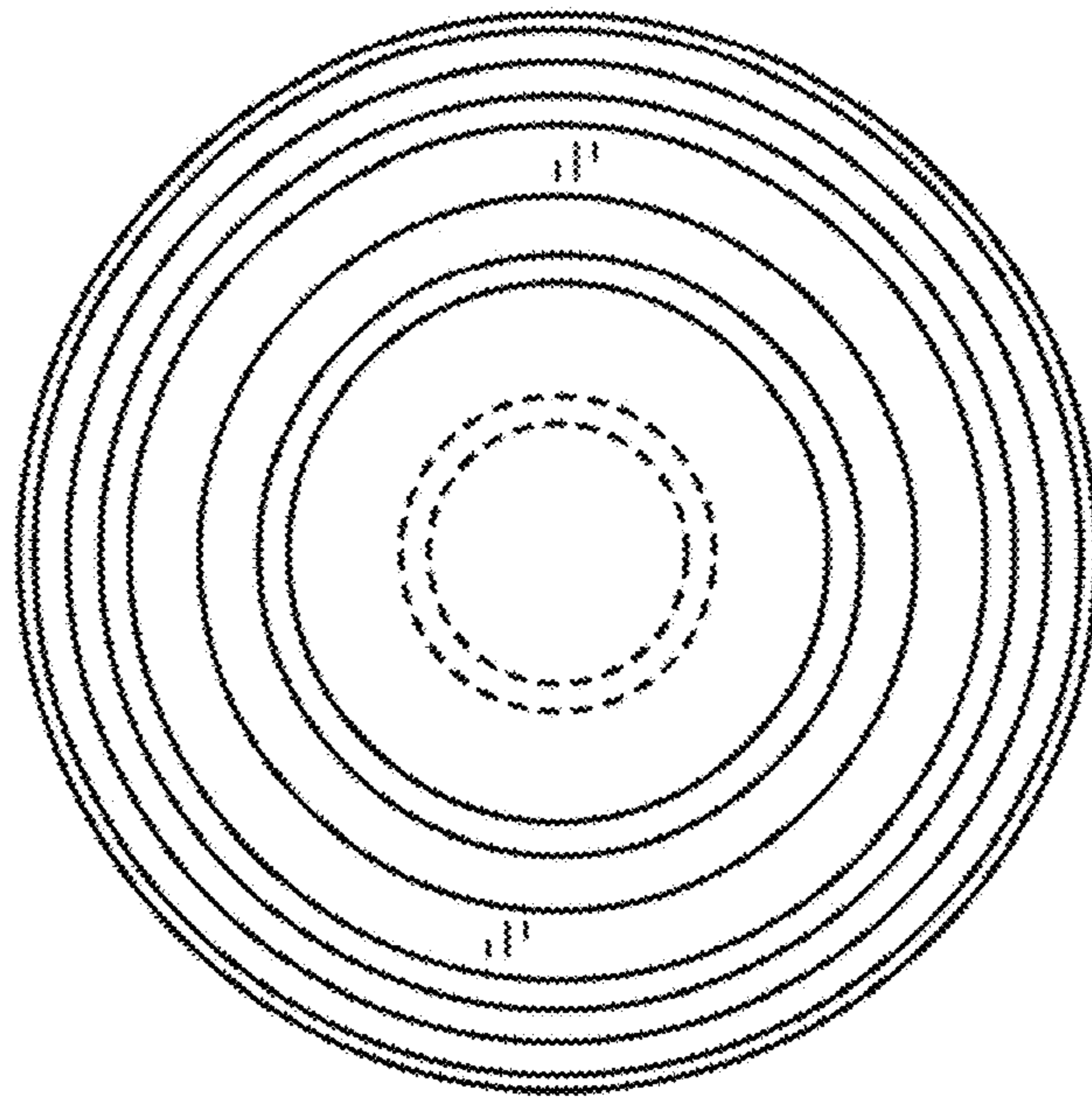


FIG. 5