



US00D839421S

(12) **United States Design Patent**
Baldauf et al.

(10) **Patent No.:** **US D839,421 S**

(45) **Date of Patent:** **** Jan. 29, 2019**

- (54) **IN-VITRO FERTILIZATION EMBRYO TRANSFER CAP**
- (71) Applicant: **Mark L. Anderson**, Spring Valley, WI (US)
- (72) Inventors: **Patrick Baldauf**, Spring Valley, WI (US); **Mark L. Anderson**, Spring Valley, WI (US); **John Harmon**, Spring Valley, WI (US); **Terry Arver**, Spring Valley, WI (US)

- D370,263 S * 5/1996 Falkenberg D24/108
- 5,579,932 A * 12/1996 Drozd B65D 50/041
215/201
- D427,306 S * 6/2000 McCallister D24/121
- D590,255 S * 4/2009 Maxwell D9/447
- D591,152 S * 4/2009 Hatalla D9/447
- D630,094 S * 1/2011 Maxwell D9/447
- D744,857 S * 12/2015 Gieske D9/435
- D750,962 S * 3/2016 Liu D6/542
- 2005/0056660 A1 * 3/2005 Anderson G01F 11/286
222/1

* cited by examiner

- (73) Assignee: **Mark L. Anderson**, Spring Valley, WI (US)

Primary Examiner — David G Muller

(74) *Attorney, Agent, or Firm* — Skinner and Associates; Joel Skinner

(**) Term: **15 Years**

(21) Appl. No.: **29/628,639**

(22) Filed: **Dec. 6, 2017**

(51) **LOC (11) Cl.** **24-02**

(52) **U.S. Cl.**
USPC **D24/127**

(58) **Field of Classification Search**
USPC D24/127, 129, 121, 130, 112; D9/435,
D9/453, 454; 215/316, 318, 329; 222/1,
222/205

CPC G01F 11/286
See application file for complete search history.

(56) **References Cited**

U.S. PATENT DOCUMENTS

- D330,332 S * 10/1992 Pezzoli D9/435
- D349,558 S * 8/1994 Albers D23/225
- D349,647 S * 8/1994 Moffitt D9/435
- 5,381,927 A * 1/1995 Richter B65D 1/0215
222/1

(57) **CLAIM**

The ornamental design for an in-vitro fertilization embryo transfer cap, as shown and described.

DESCRIPTION

FIG. 1 is a perspective view of an in-vitro fertilization embryo transfer cap showing an embodiment of the design of the invention.

FIG. 2 is a front view thereof.

FIG. 3 is a rear view thereof.

FIG. 4 is a side view thereof, the opposite side being a mirror image thereof.

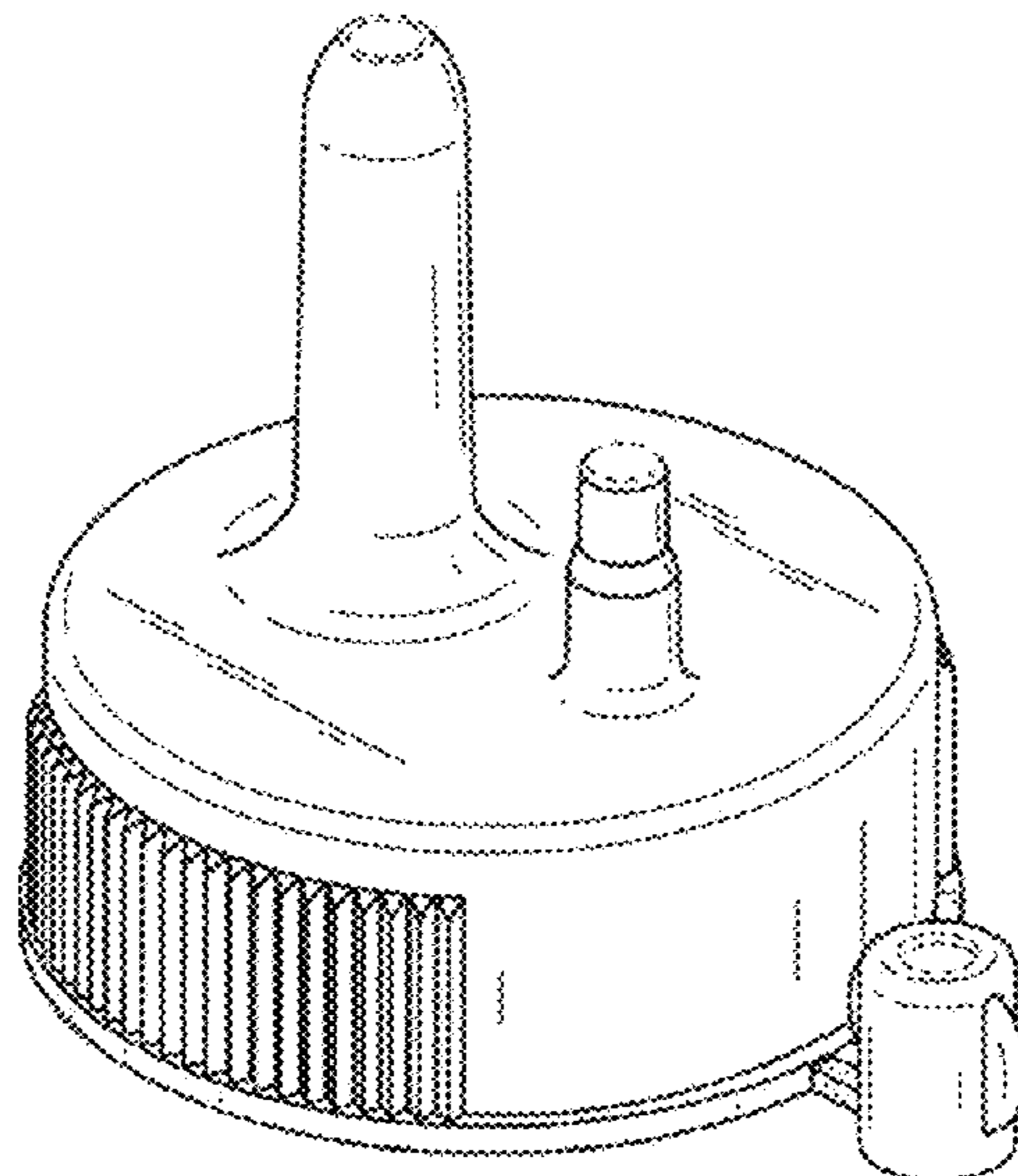
FIG. 5 is a top view thereof.

FIG. 6 is a bottom view thereof; and,

FIG. 7 is another perspective view thereof, in use.

The broken line showing of a structural feature, in this figure, FIG. 5 and FIG. 7, is included for the purpose of illustrating non-claimed subject and forms no part of the claimed design.

1 Claim, 4 Drawing Sheets



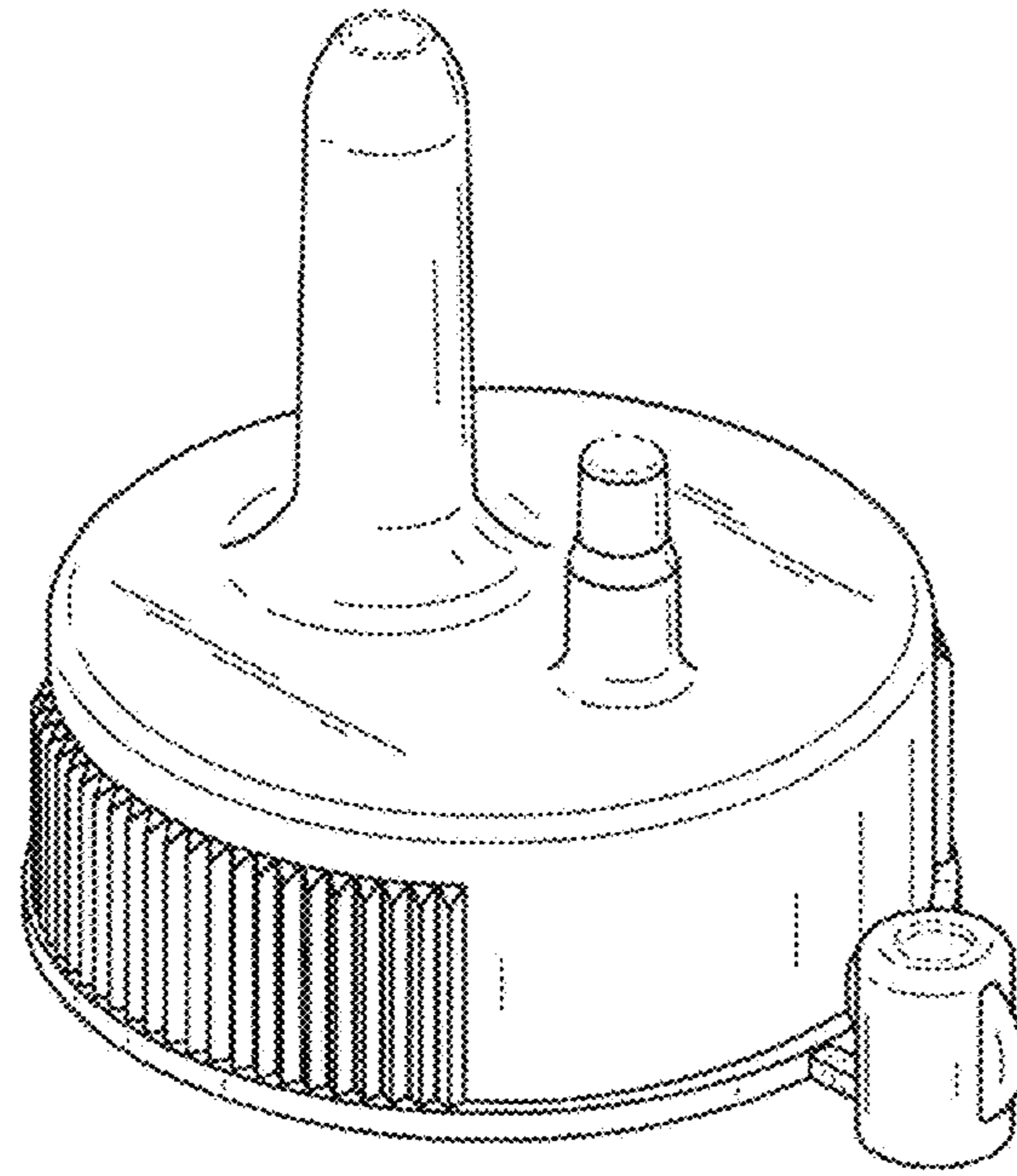


FIG. 1

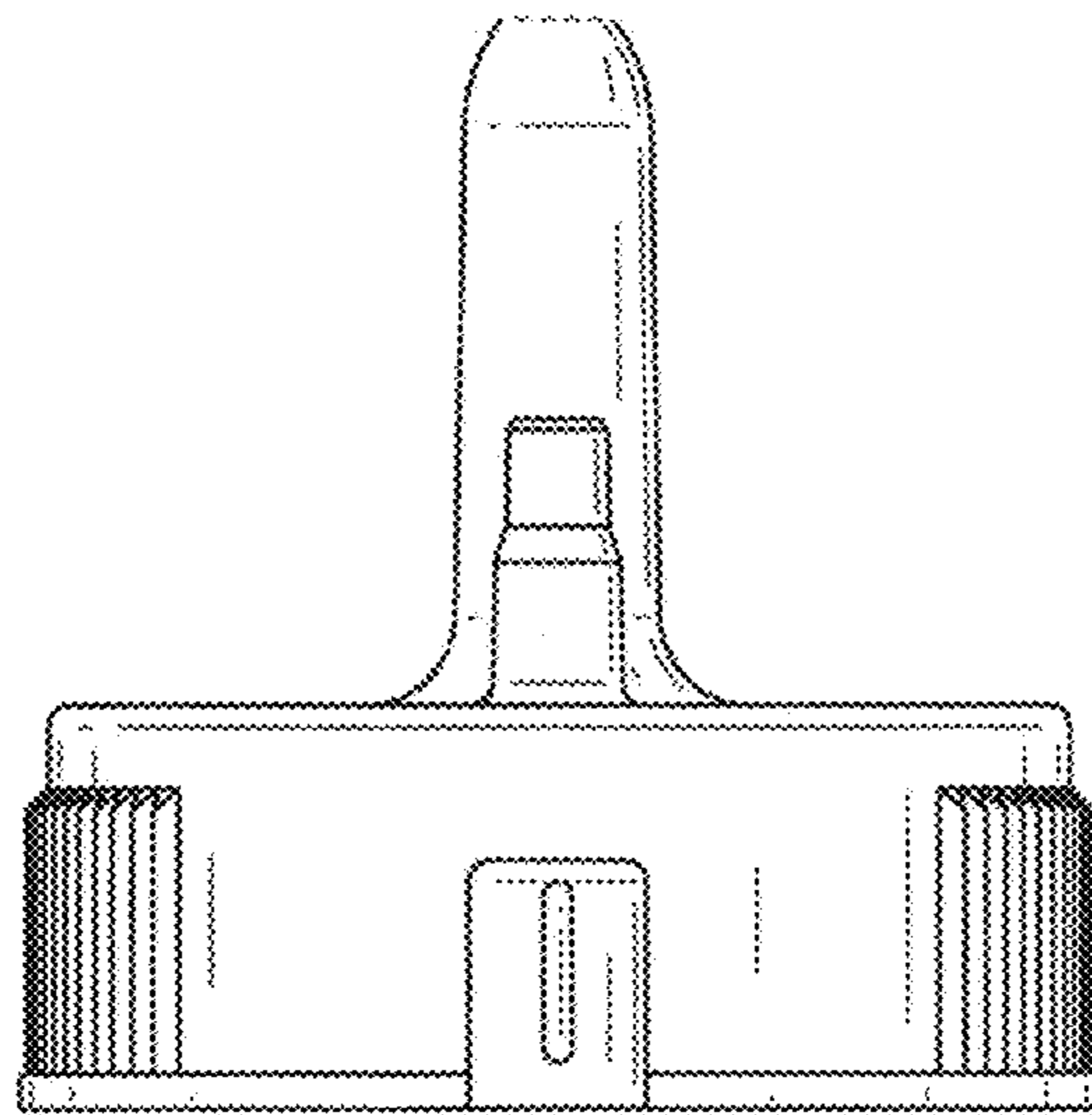


FIG. 2

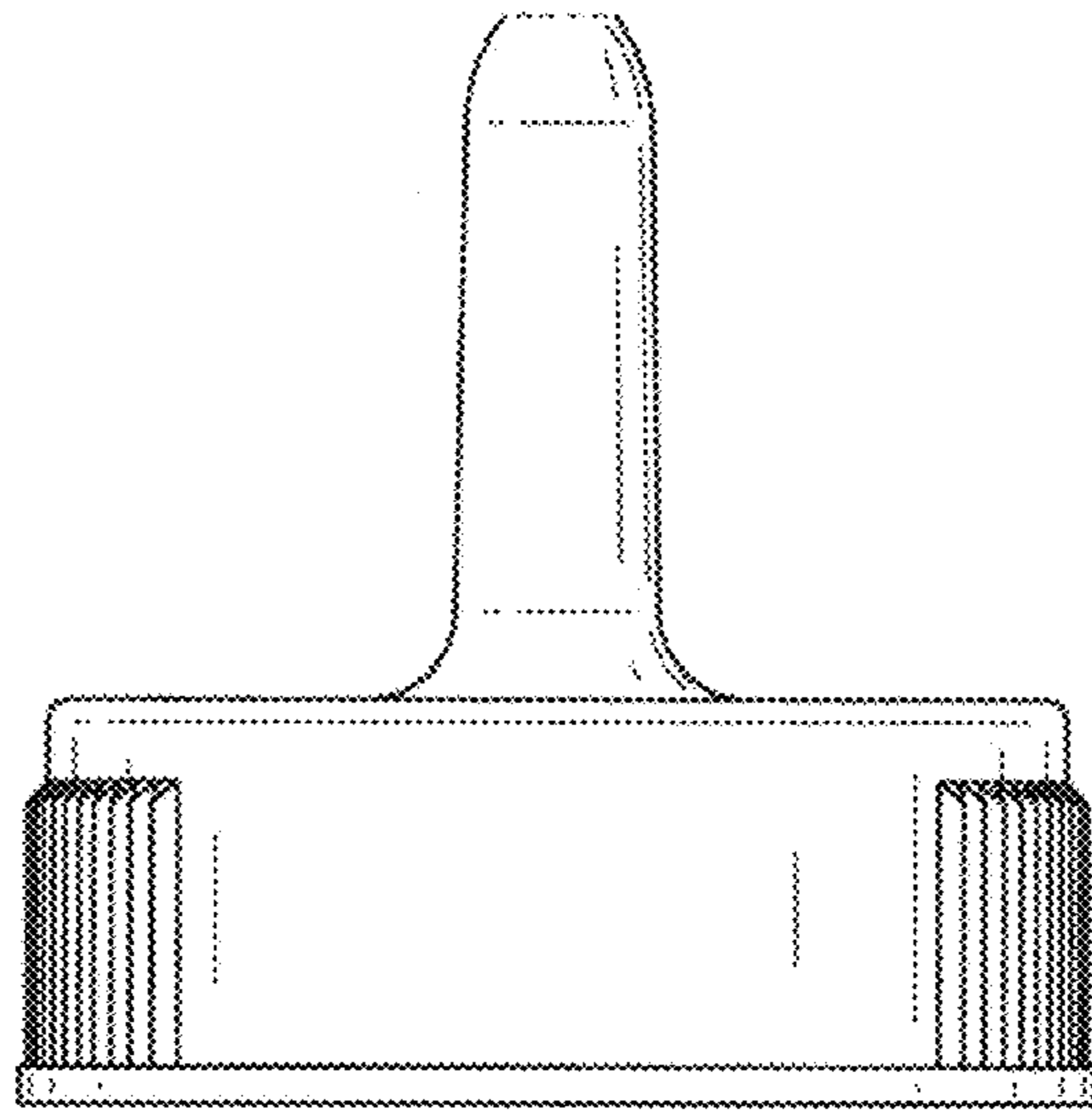


FIG. 3

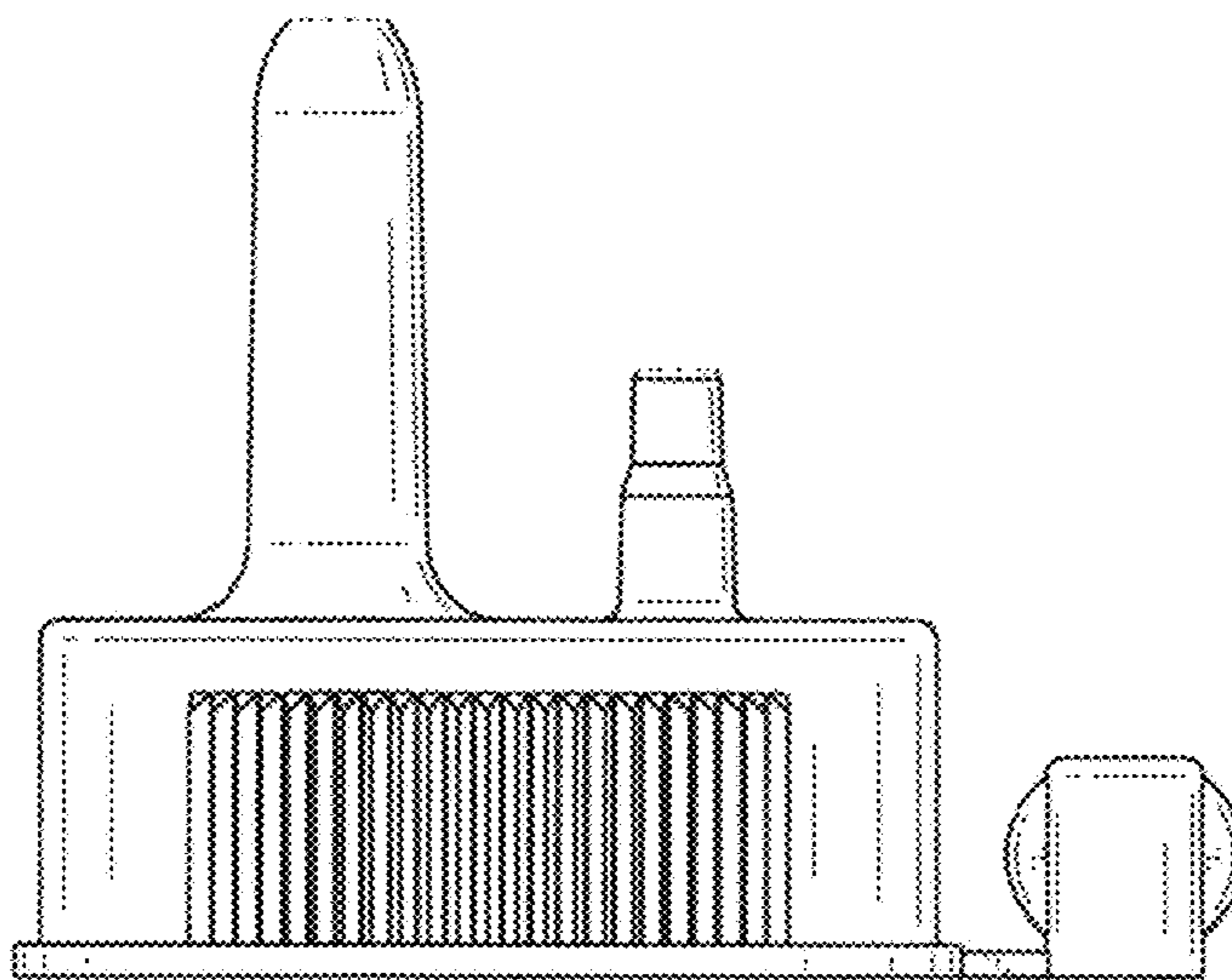


FIG. 4

FIG. 5

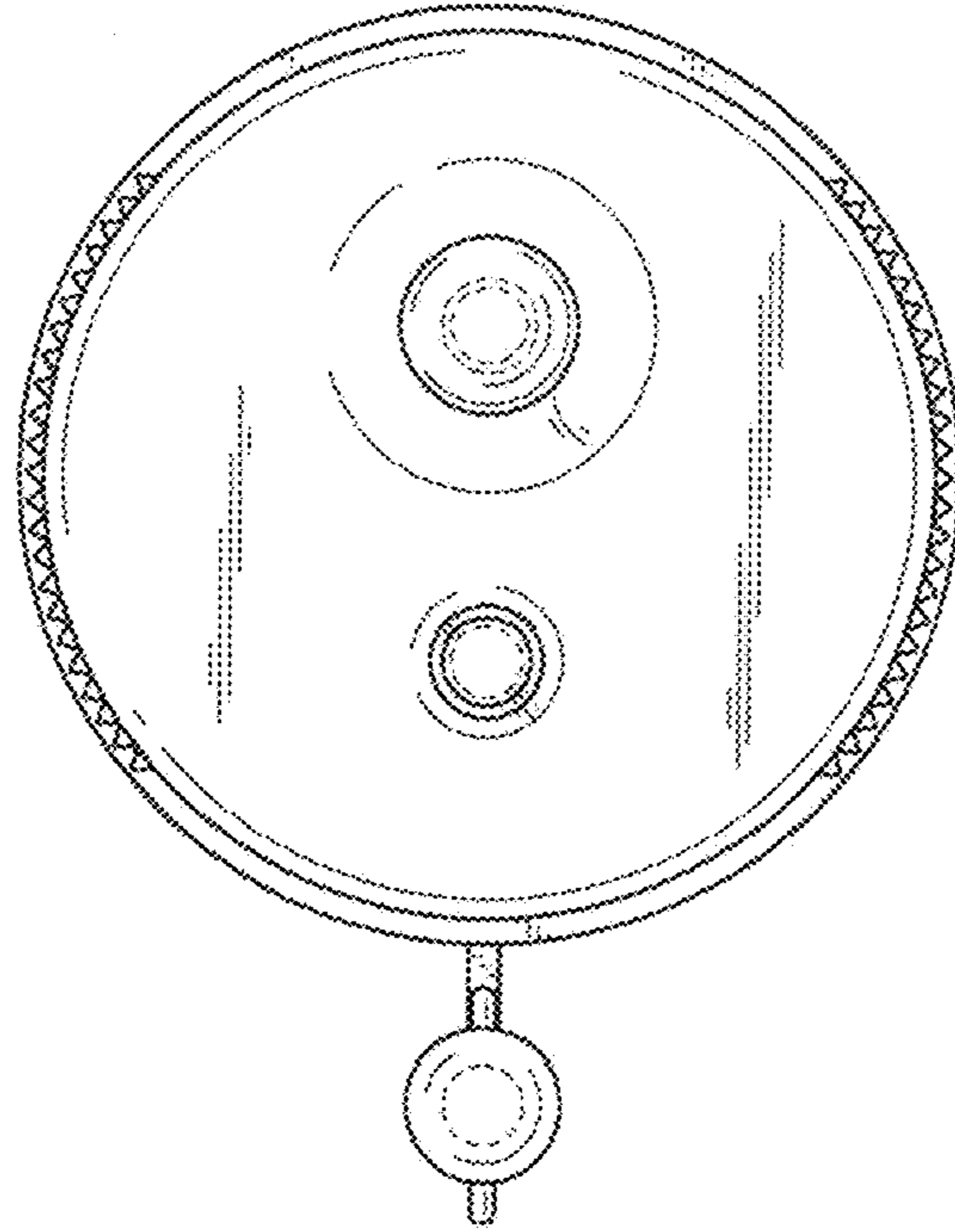


FIG. 6

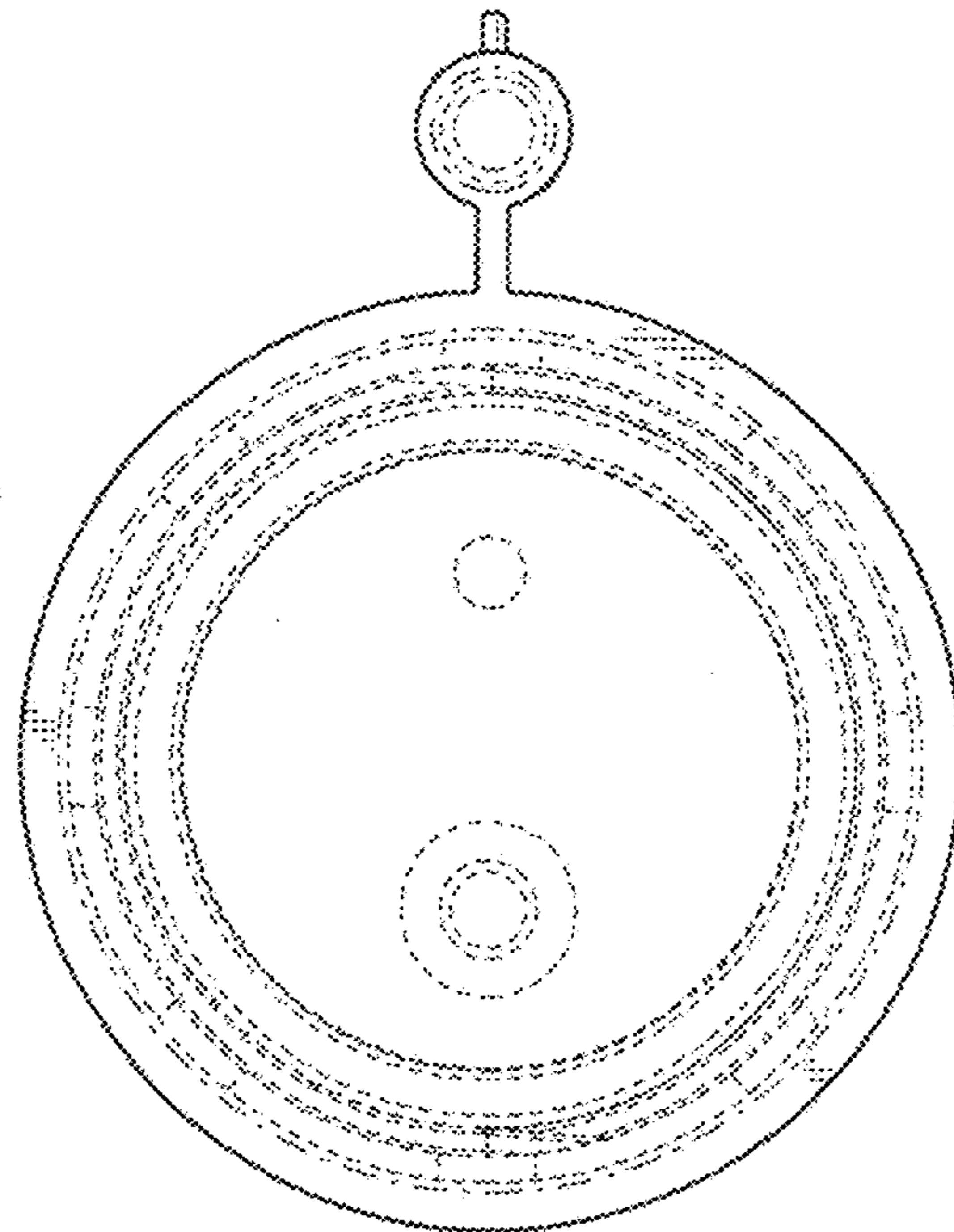


FIG. 7

