



US00D839418S

(12) **United States Design Patent** (10) **Patent No.:** **US D839,418 S**
Johnson (45) **Date of Patent:** **** Jan. 29, 2019**

- (54) **DIAPER**
- (71) Applicant: **Carears Designer Diapers, LLC**,
Atlanta, GA (US)
- (72) Inventor: **Marshall Johnson**, Atlanta, GA (US)
- (73) Assignee: **CAREARS DESIGNER DIAPERS, LLC**, Atlanta, GA (US)
- (**) Term: **15 Years**
- (21) Appl. No.: **29/609,446**
- (22) Filed: **Jun. 30, 2017**
- (51) **LOC (11) Cl.** **24-04**
- (52) **U.S. Cl.**
USPC **D24/126**
- (58) **Field of Classification Search**
USPC D2/700, 701; D24/124, 125, 126;
604/347, 348, 354, 358-361, 378, 385.01,
604/385.201, 385.24, 385.25
CPC A61F 13/15; A61F 13/64; A61F 13/476;
A61F 13/5611; A61F 13/4704; A61F
13/535; A61F 13/539; A61F 13/47; A61F
13/531
See application file for complete search history.

- (56) **References Cited**
U.S. PATENT DOCUMENTS
- 6,682,515 B1 * 1/2004 Mizutani A61F 13/4753
604/385.27
- D544,098 S * 6/2007 Martynus D24/126
- D553,244 S * 10/2007 Martynus D24/126
- D610,256 S * 2/2010 Garner D24/126
- 7,771,408 B2 * 8/2010 Mueller A61F 13/49017
604/385.01
- D625,000 S * 10/2010 Stewart D24/126
- D647,200 S * 10/2011 Slaughter D24/126
- D694,413 S 11/2013 Fowler
- D745,143 S * 12/2015 Coates D24/126
- 9,375,358 B2 * 6/2016 Ehrnsperger A61F 13/4753

- D760,892 S 7/2016 Hedbratt
- D762,849 S * 8/2016 Davenport D24/126
- D767,123 S 9/2016 Sasaki et al.
- D782,663 S 3/2017 Morimoto et al.
- 9,615,980 B2 * 4/2017 Enz A61F 13/5644
- D788,294 S * 5/2017 Cardenas D24/126
- D792,967 S * 7/2017 Moritani D24/126
- 9,713,557 B2 * 7/2017 Arizti A61F 13/5323
- 9,849,043 B2 * 12/2017 Barnes A61F 13/5633
- D813,382 S * 3/2018 Guadron D24/125
- 9,980,859 B2 * 5/2018 Popp A61F 13/5644
- 9,987,176 B2 * 6/2018 Roe A61F 13/53717
- (Continued)

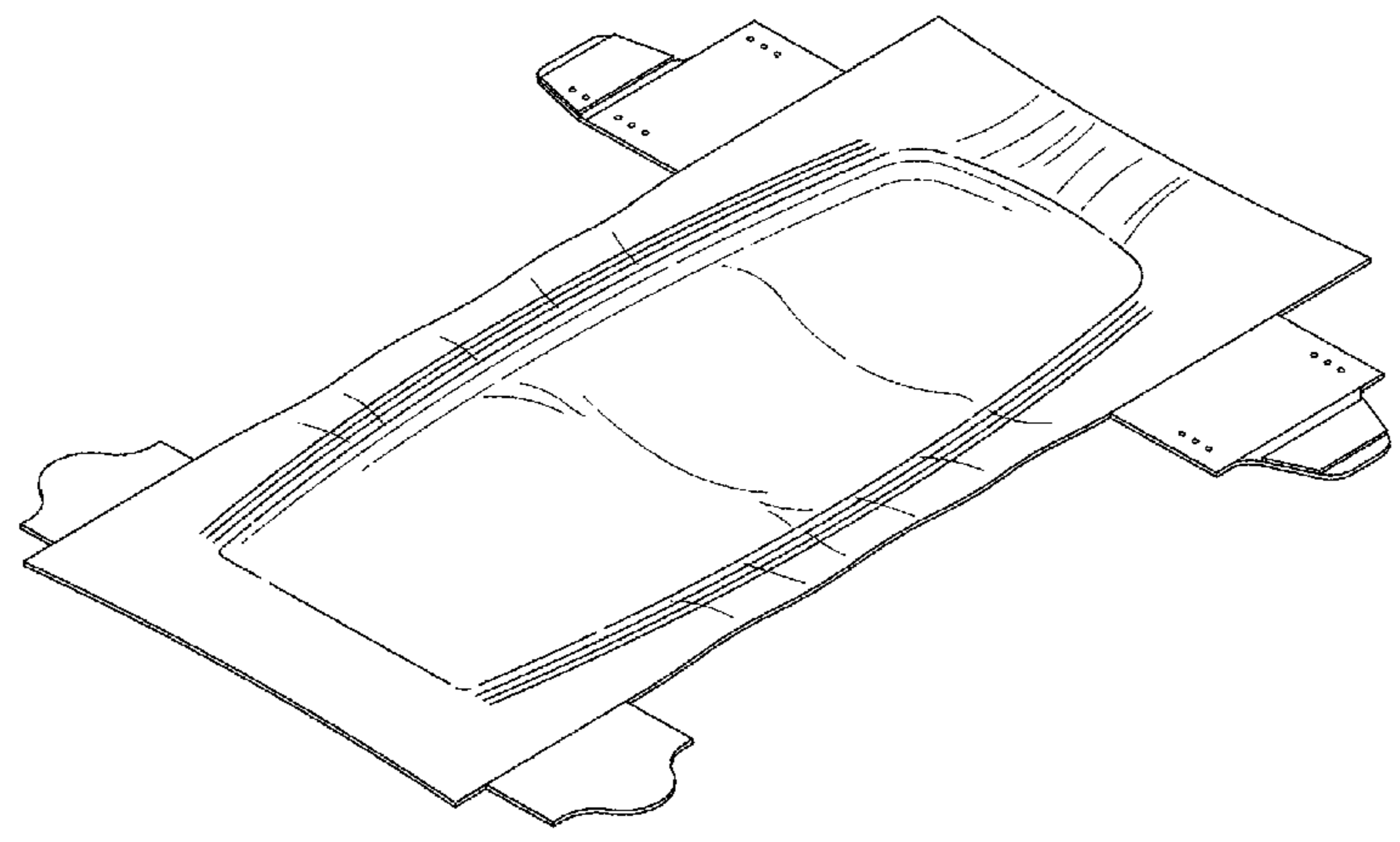
Primary Examiner — Cathron C Brooks
Assistant Examiner — Samantha Q. Lawrence
 (74) *Attorney, Agent, or Firm* — Barnes & Thornburg
 LLP; Jason Bernstein

(57) **CLAIM**
 The ornamental design for the diaper, as shown and described.

DESCRIPTION

FIG. 1 is a perspective view of a first embodiment of my design;
 FIG. 2 is a top view thereof;
 FIG. 3 is a bottom view thereof;
 FIG. 4 is a left side elevational view thereof;
 FIG. 5 is a right side elevational view thereof;
 FIG. 6 is a front elevational view thereof; and,
 FIG. 7 is a rear elevational view thereof;
 FIG. 8 is a perspective view of a second embodiment of my design;
 FIG. 9 is a top view thereof;
 FIG. 10 is a bottom view thereof;
 FIG. 11 is a left side elevational view thereof;
 FIG. 12 is a right side elevational view thereof;
 FIG. 13 is a front elevational view thereof; and,
 FIG. 14 is a rear elevational view thereof.

1 Claim, 10 Drawing Sheets



(56)

References Cited

U.S. PATENT DOCUMENTS

2004/0243082 A1* 12/2004 Kinoshita A61F 13/4704
604/380
2005/0107759 A1* 5/2005 Waksmundzki .. A61F 13/15658
604/378
2009/0157035 A1* 6/2009 Ponomarenko ... A61F 13/15593
604/385.24
2014/0046284 A1* 2/2014 Dougherty, Jr. A61F 13/64
604/385.03
2014/0163506 A1* 6/2014 Roe A61F 13/49001
604/378
2015/0025491 A1* 1/2015 Sakaguchi A61F 13/625
604/389
2015/0080837 A1* 3/2015 Rosati A61F 13/535
604/385.101
2015/0126947 A1* 5/2015 Stabelfeldt A61F 13/55115
604/365
2015/0126950 A1* 5/2015 Hancock-Cooke A61F 13/58
604/385.3
2015/0173968 A1* 6/2015 Joseph A61F 13/42
604/361
2015/0250662 A1* 9/2015 Isele A61F 13/51104
604/378
2017/0165134 A1* 6/2017 Tee, Jr. A61F 13/8405
2017/0224548 A1* 8/2017 Tsang A61F 13/49017

* cited by examiner

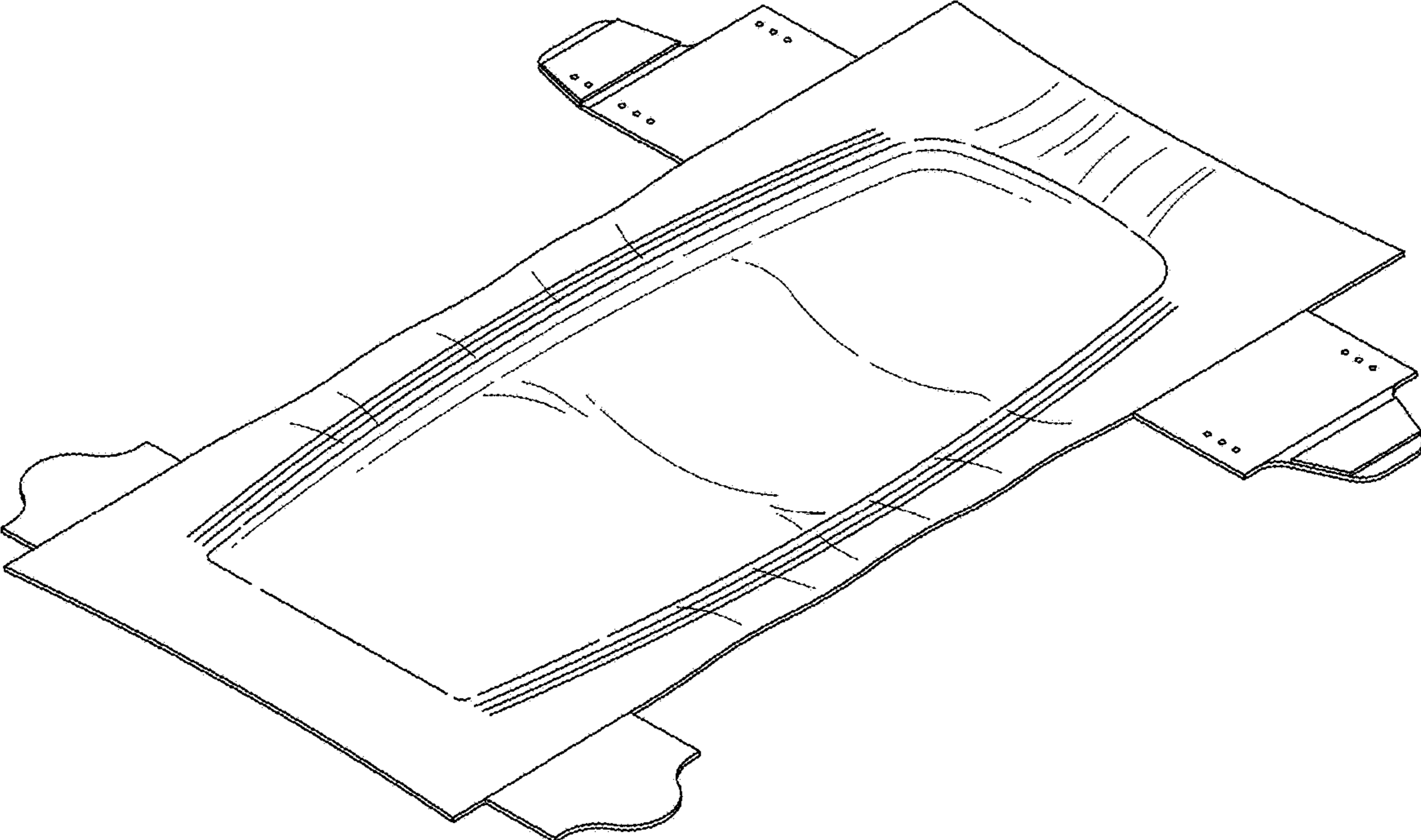


FIG. 1

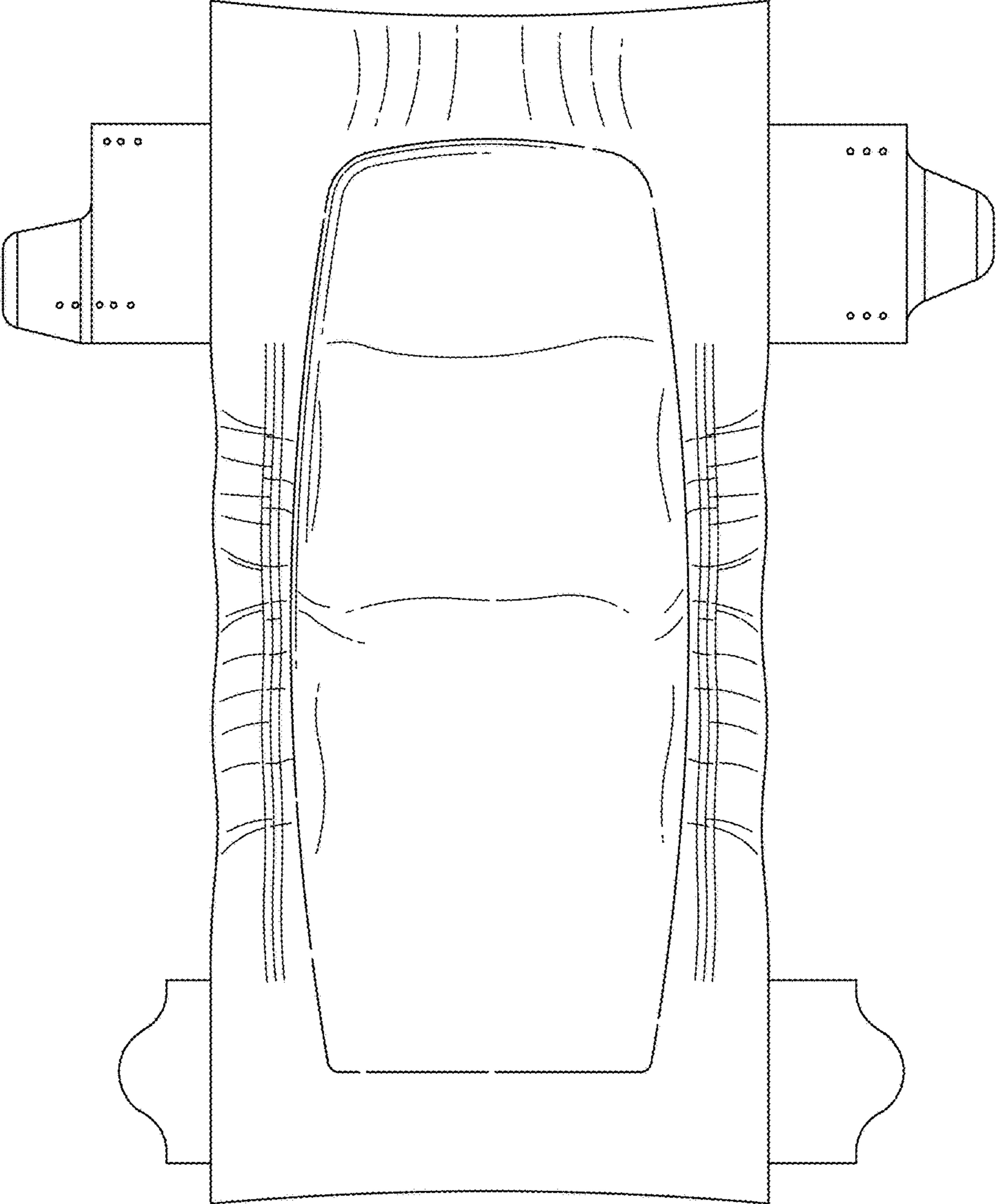


FIG. 2

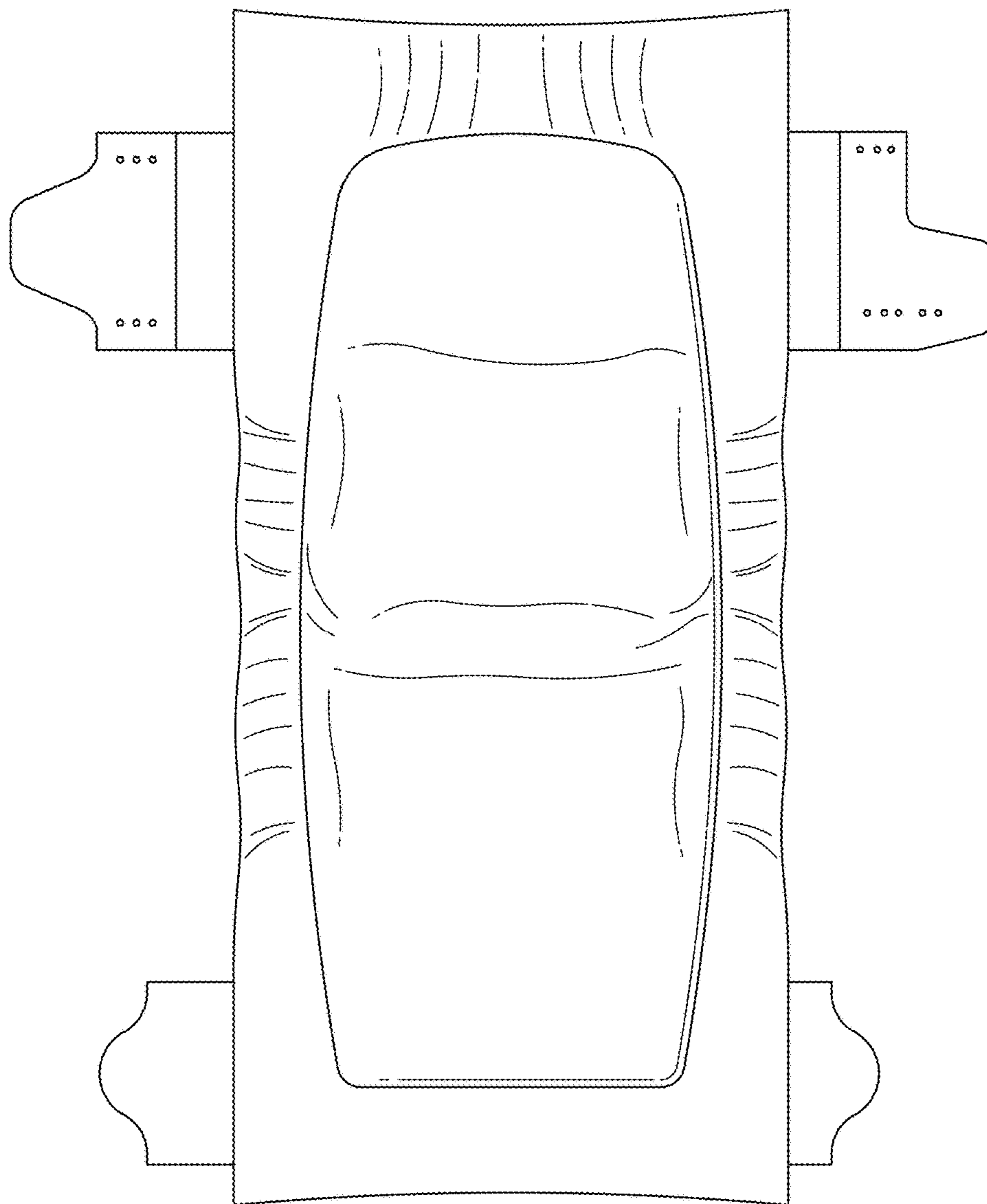


FIG. 3

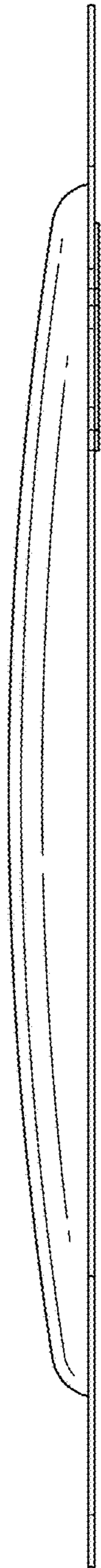


FIG. 4

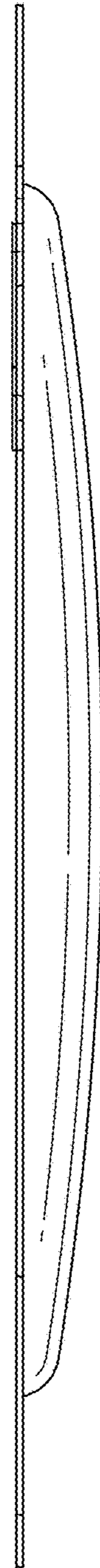


FIG. 5

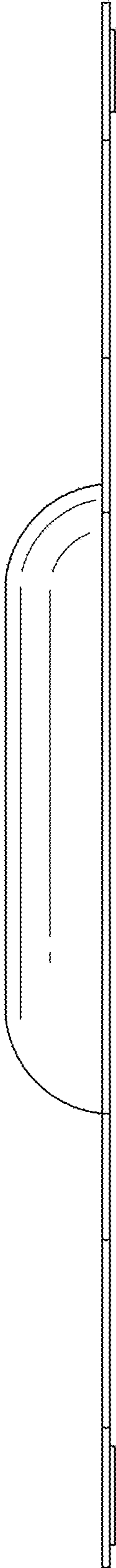


FIG. 6

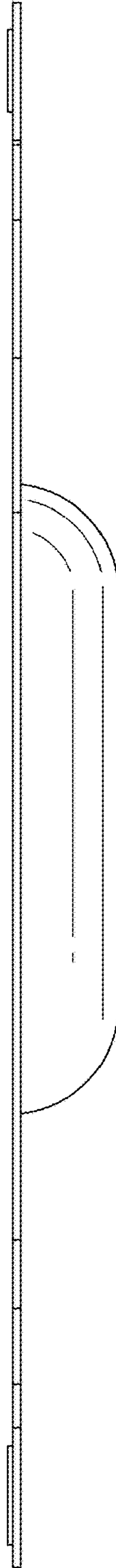


FIG. 7

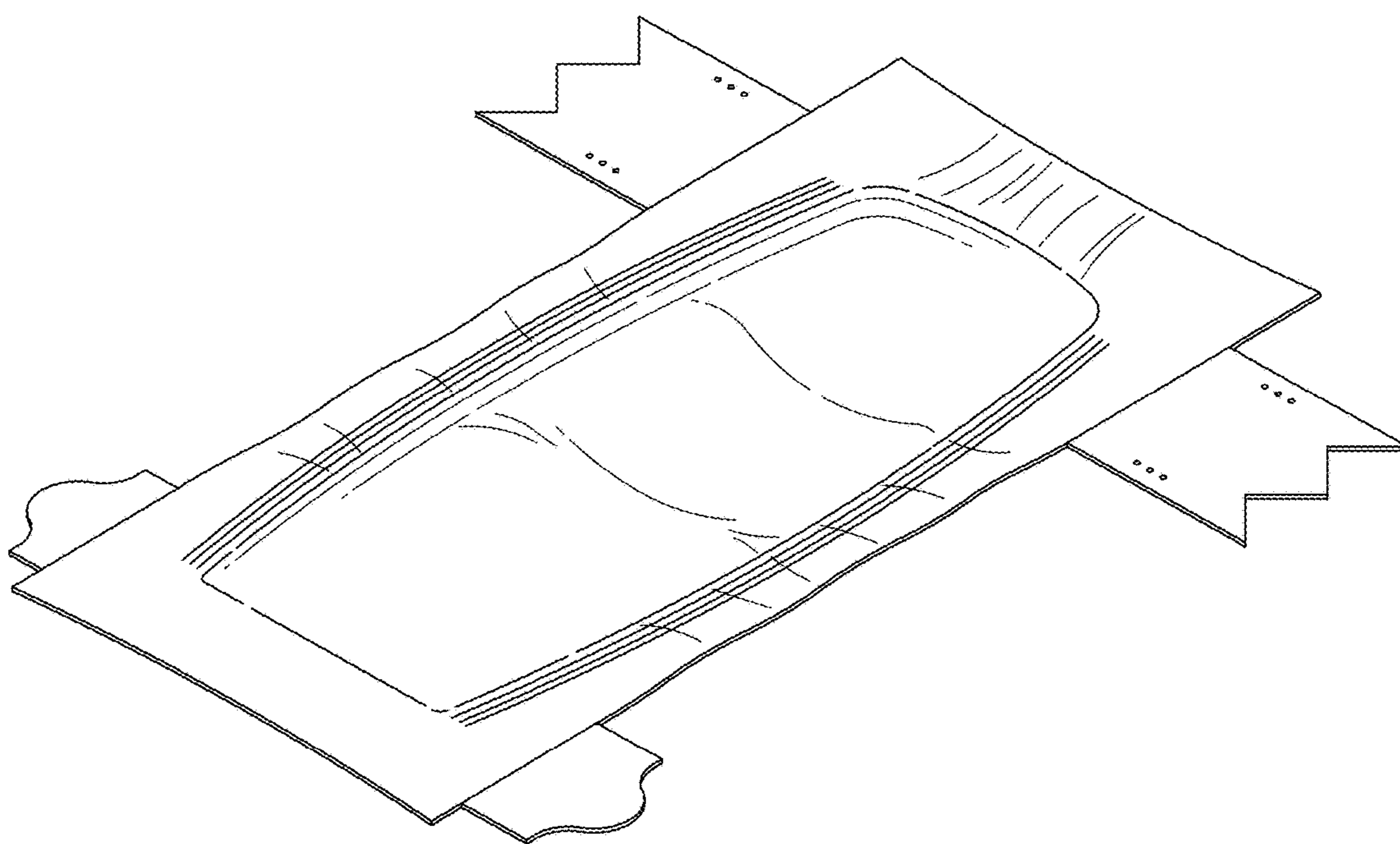


FIG. 8

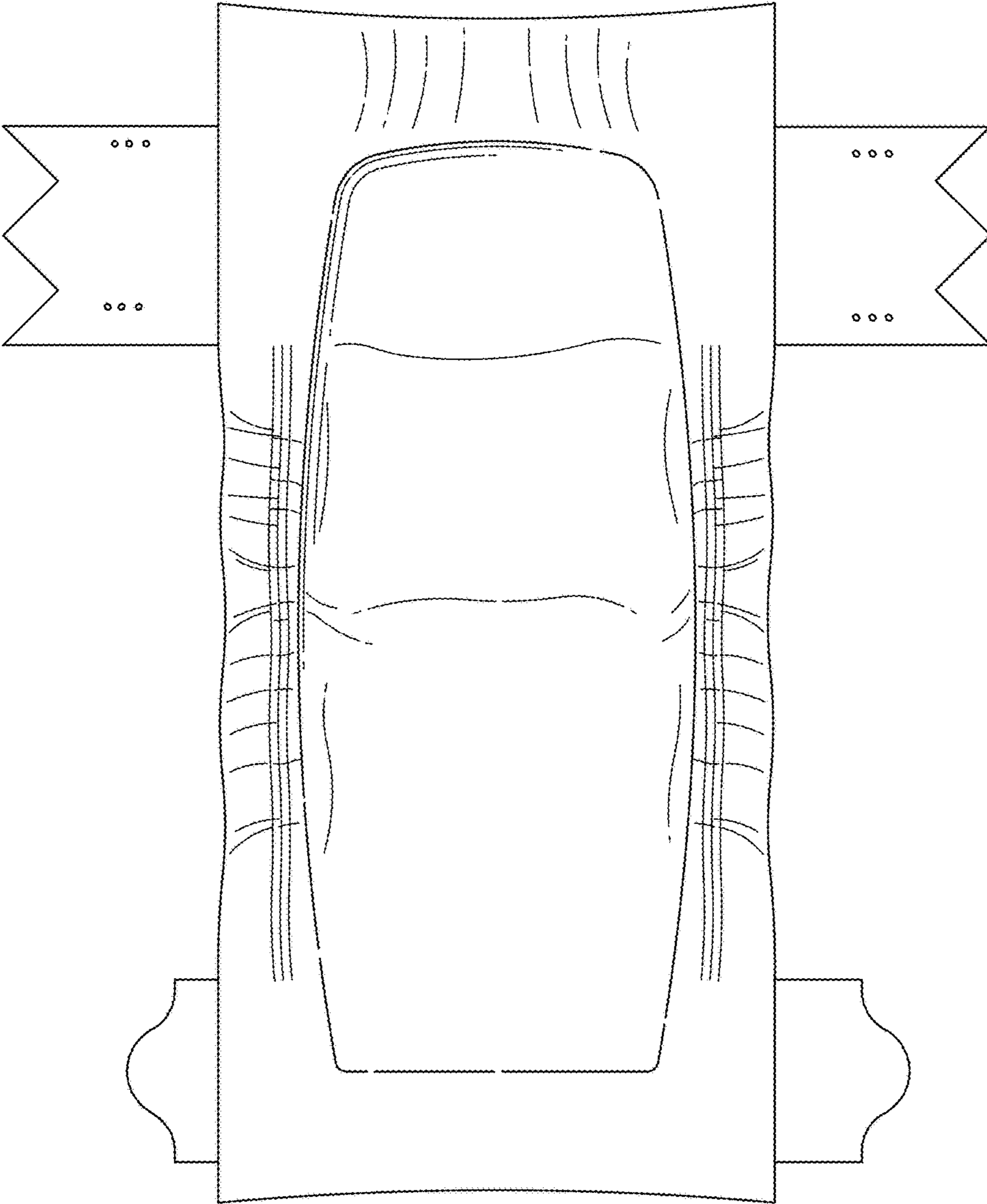


FIG. 9

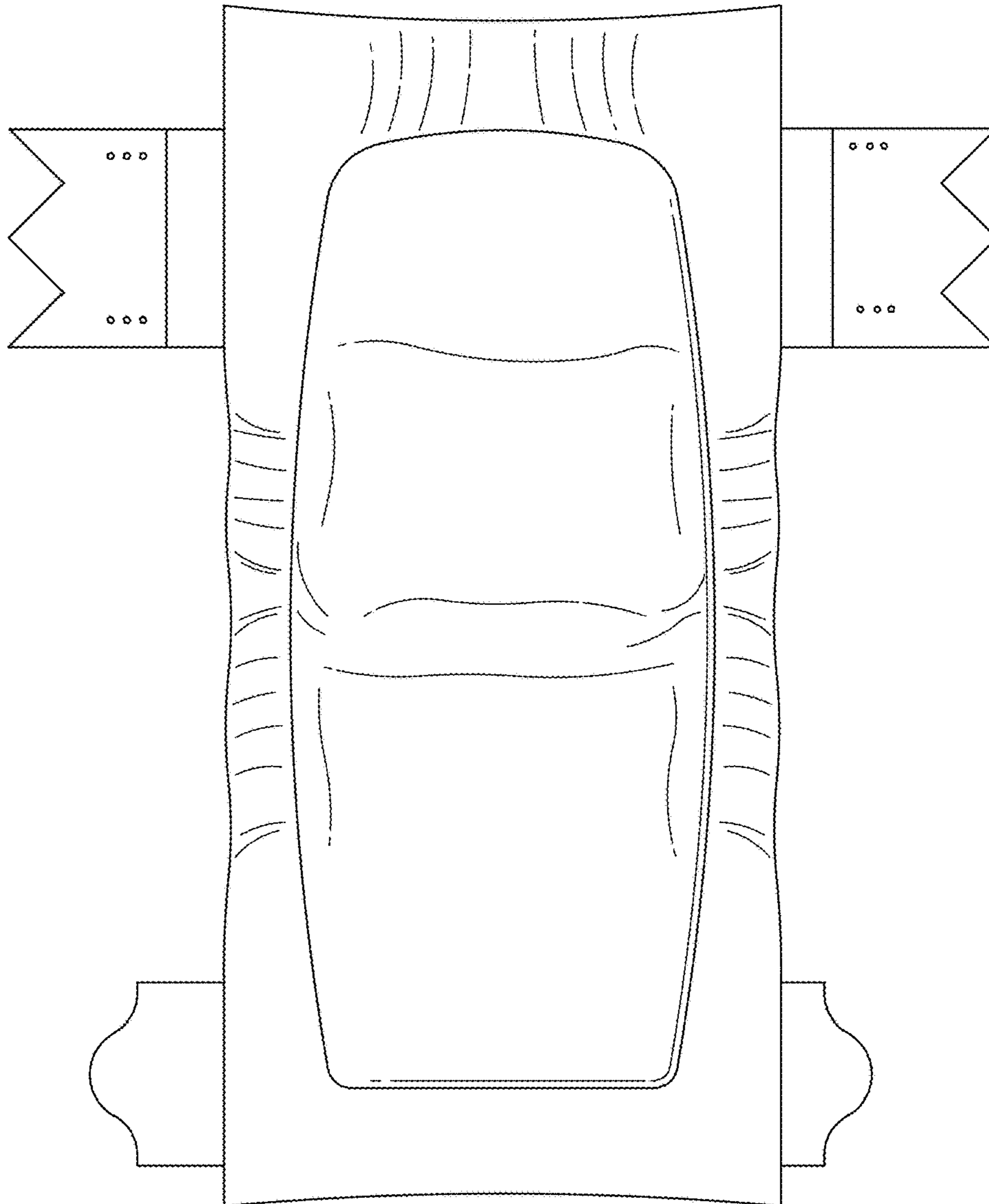


FIG. 10

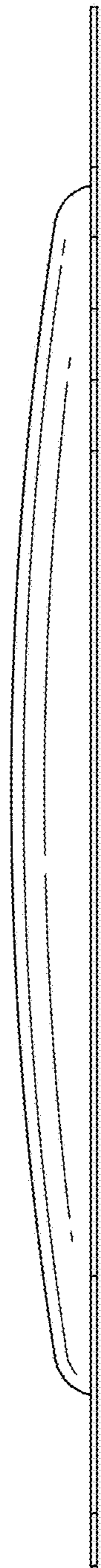


FIG. 11

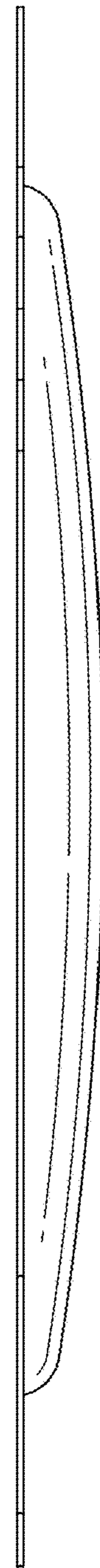


FIG. 12

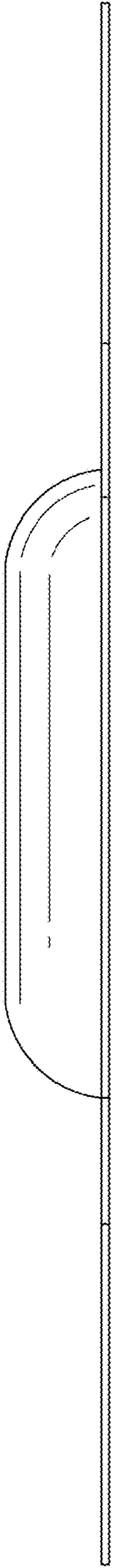


FIG. 13

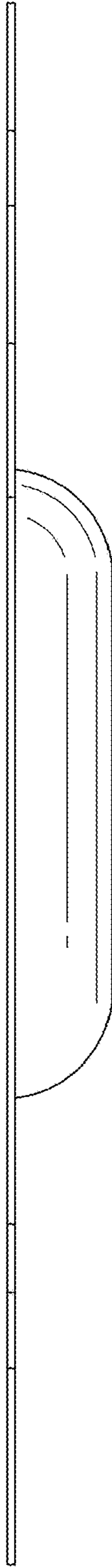


FIG. 14