



US00D839417S

(12) **United States Design Patent**
Funakoshi

(10) **Patent No.:** **US D839,417 S**
(45) **Date of Patent:** **** Jan. 29, 2019**

(54) **OPERATING UNIT FOR STENT DELIVERY CATHETER**

(71) Applicant: **OLYMPUS CORPORATION**,
Hachioji-shi, Tokyo (JP)

(72) Inventor: **Yasuo Funakoshi**, Tokyo (JP)

(73) Assignee: **OLYMPUS CORPORATION**, Tokyo
(JP)

(**) Term: **15 Years**

(21) Appl. No.: **29/596,800**

(22) Filed: **Mar. 10, 2017**

(30) **Foreign Application Priority Data**

Sep. 21, 2016 (JP) 2016-020341

(51) **LOC (11) Cl.** **24-02**

(52) **U.S. Cl.**
USPC **D24/113**

(58) **Field of Classification Search**

USPC D24/112-114, 108, 130, 127, 133, 186;
606/181, 185; 604/264, 523-528, 272,
604/164.01-164.11, 187, 93.01; 600/101,
600/139, 143; 128/200.24, 207.14,
128/207.15

CPC .. A61M 25/065; A61M 5/42; A61M 25/0612;
A61M 25/00; A61M 39/00; A61M 27/00;
A61M 25/0043; A61M 25/0067; A61M
25/0097; A61F 2/958

See application file for complete search history.

(56) **References Cited**

U.S. PATENT DOCUMENTS

D536,784 S * 2/2007 Bacher D24/133
D542,910 S * 5/2007 MacRae D24/108

D671,220 S * 11/2012 Donaldson D24/108
D681,828 S * 5/2013 Shinohara D24/186
D700,965 S * 3/2014 Krishnan D10/81
D719,651 S * 12/2014 Hoffmann D24/133
D728,780 S * 5/2015 Pieroni D24/112
D743,020 S * 11/2015 Mehta D24/108
D799,694 S * 10/2017 Mori D24/133
D810,927 S * 2/2018 Ross D24/112
D812,744 S * 3/2018 Robinson D24/133
D820,972 S * 6/2018 Klever D24/108
D821,567 S * 6/2018 Feldman D24/108

* cited by examiner

Primary Examiner — David G Muller

(74) *Attorney, Agent, or Firm* — Oliff PLC

(57) **CLAIM**

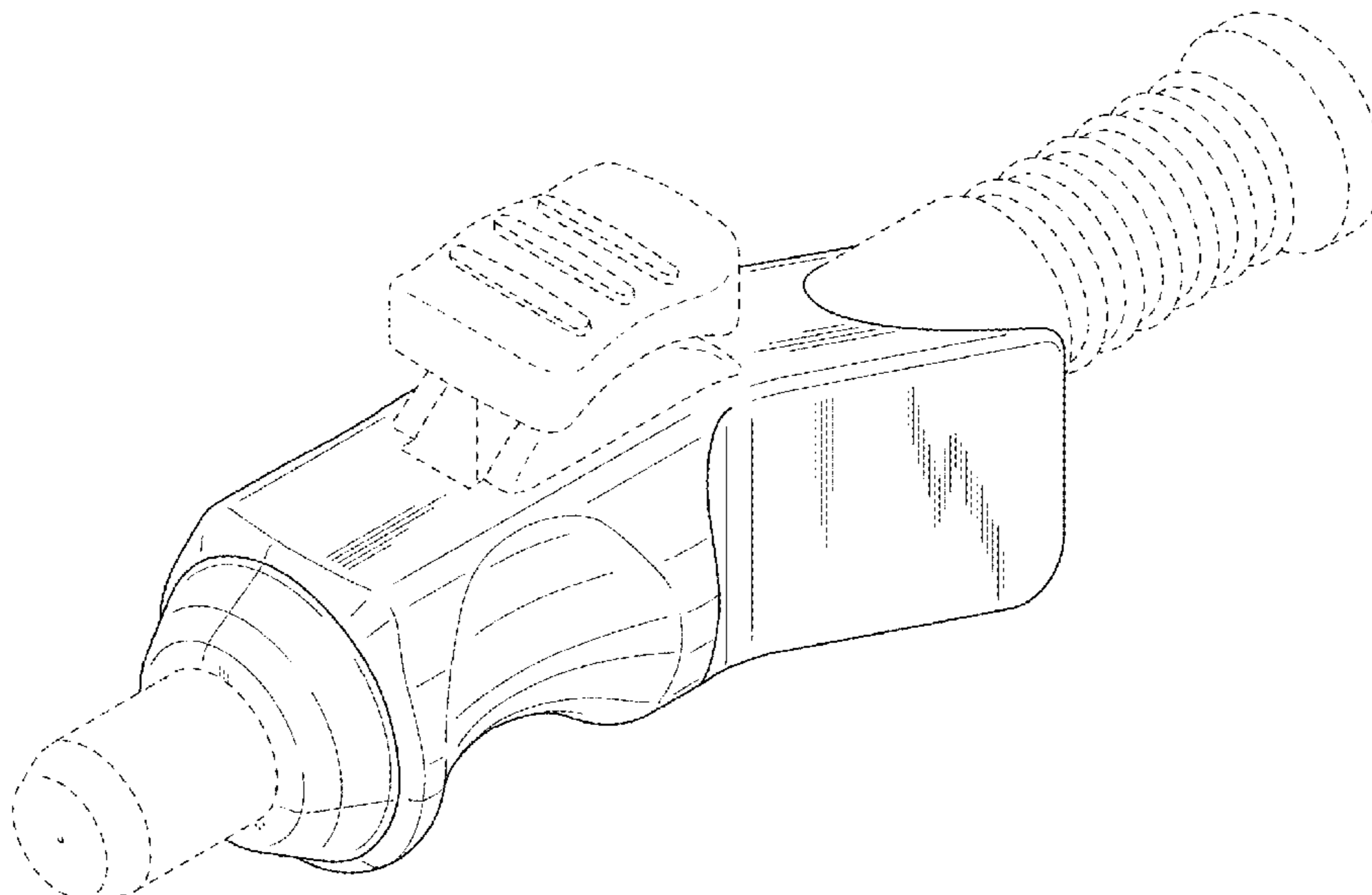
The ornamental design for an operating unit for stent delivery catheter, as shown and described.

DESCRIPTION

FIG. 1 is a front perspective view of an operating unit for stent delivery catheter, showing my new design;
FIG. 2 is a rear perspective view thereof;
FIG. 3 is a front view thereof;
FIG. 4 is a rear view thereof;
FIG. 5 is a top view thereof;
FIG. 6 is a bottom view thereof;
FIG. 7 is a left side view thereof; and,
FIG. 8 is a right side view thereof.

The broken lines showing the remainder thereof are for environmental purposes only and form no part of the claimed design.

1 Claim, 6 Drawing Sheets



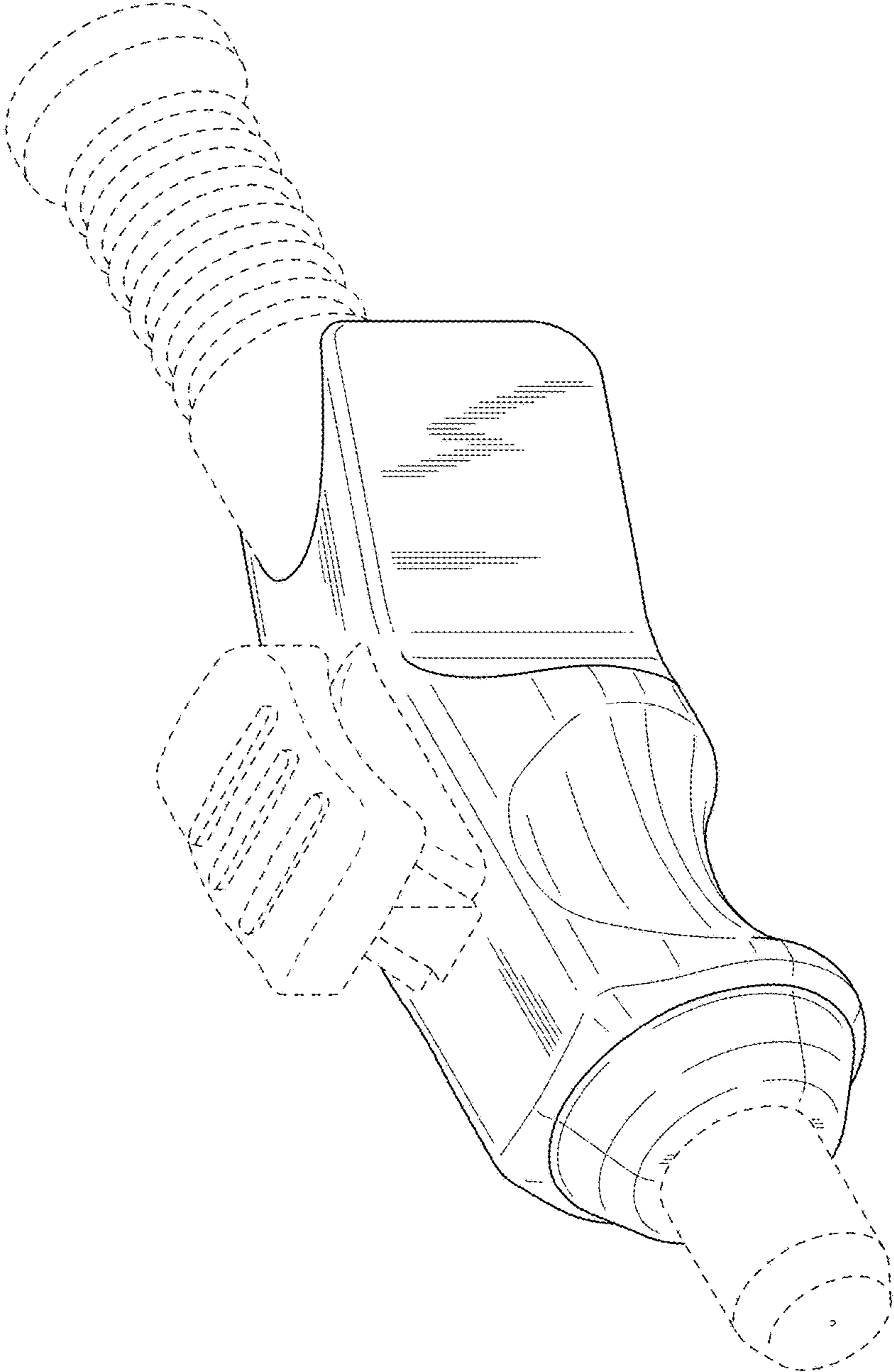


Fig. 1

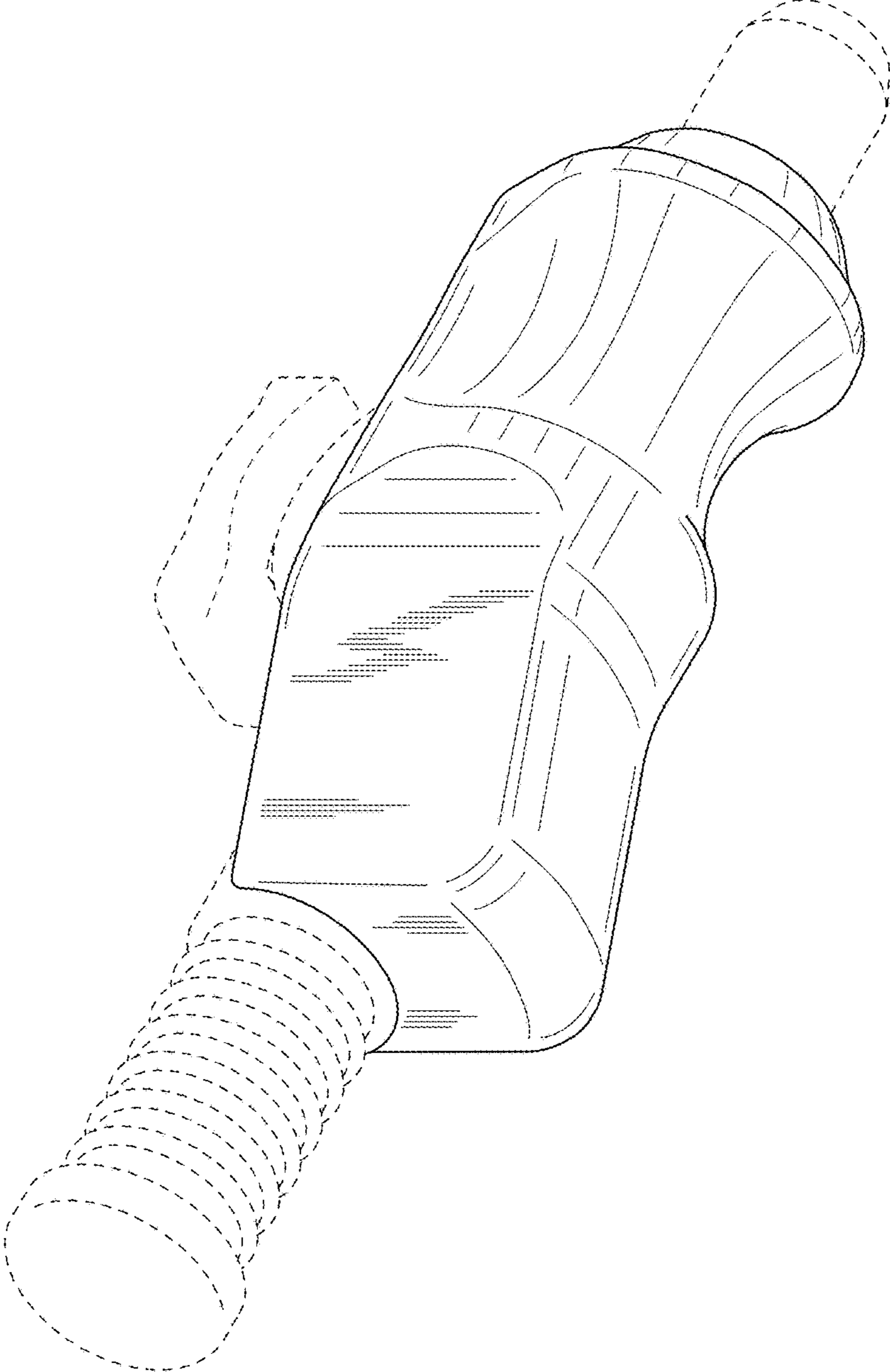


Fig. 2

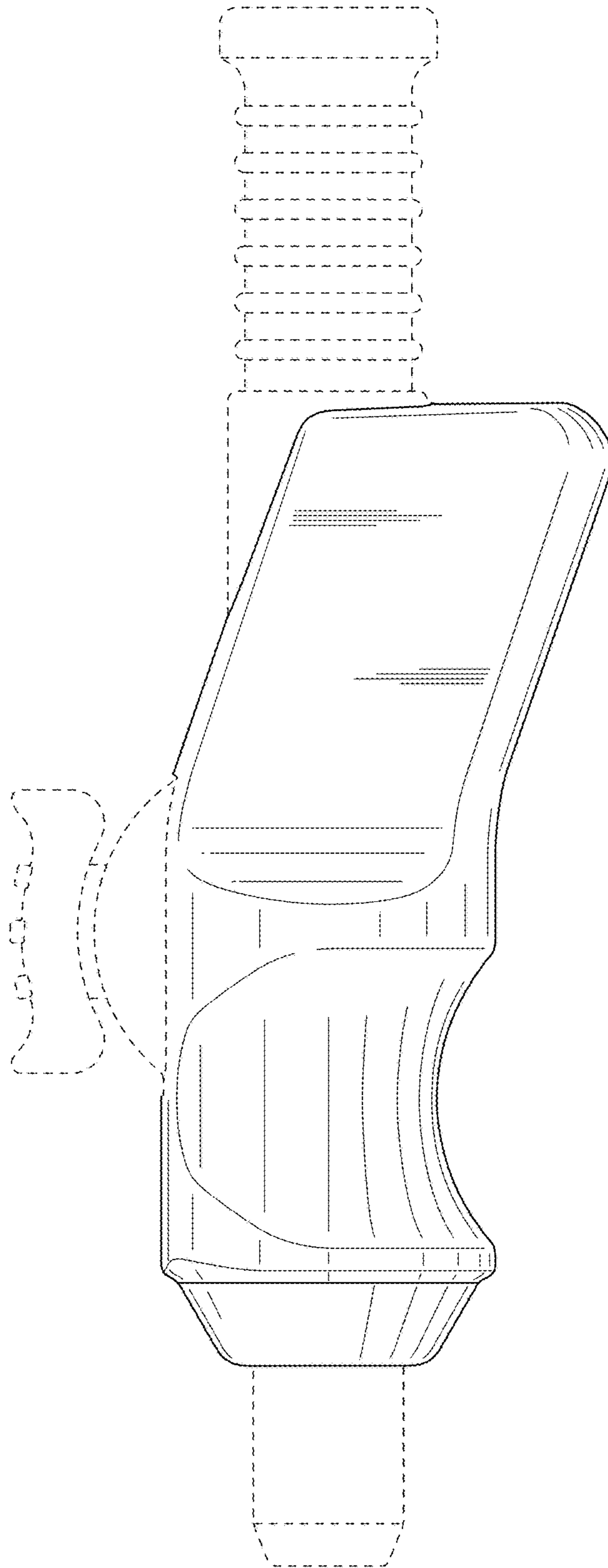


Fig. 3

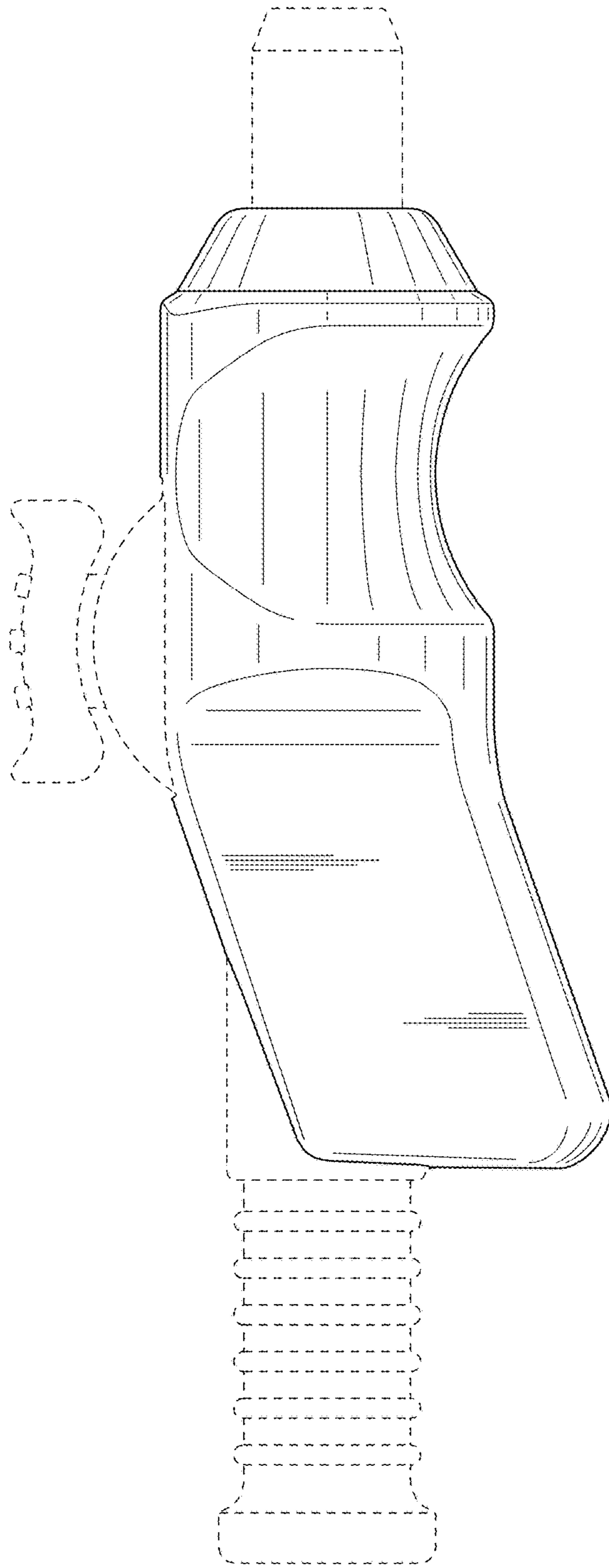


Fig. 4

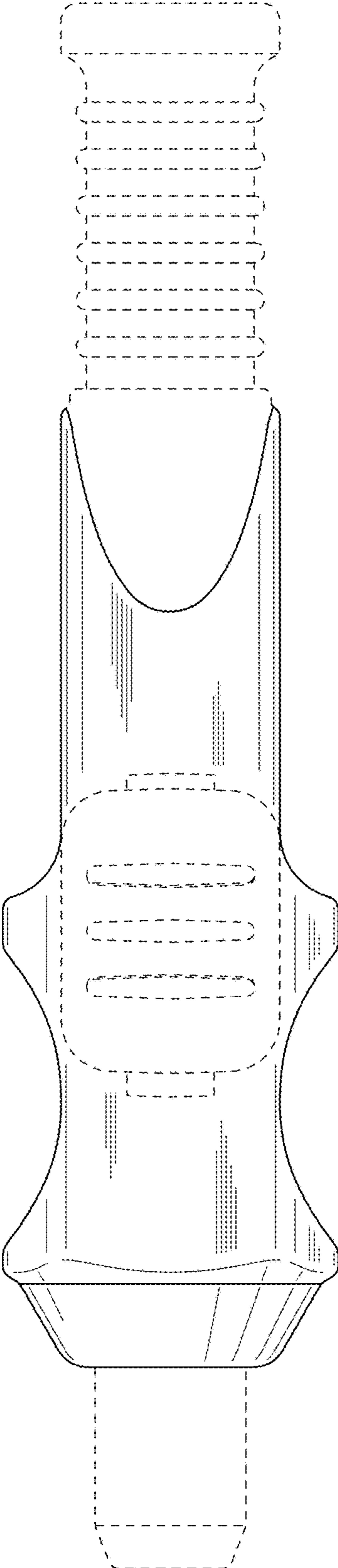


Fig. 5

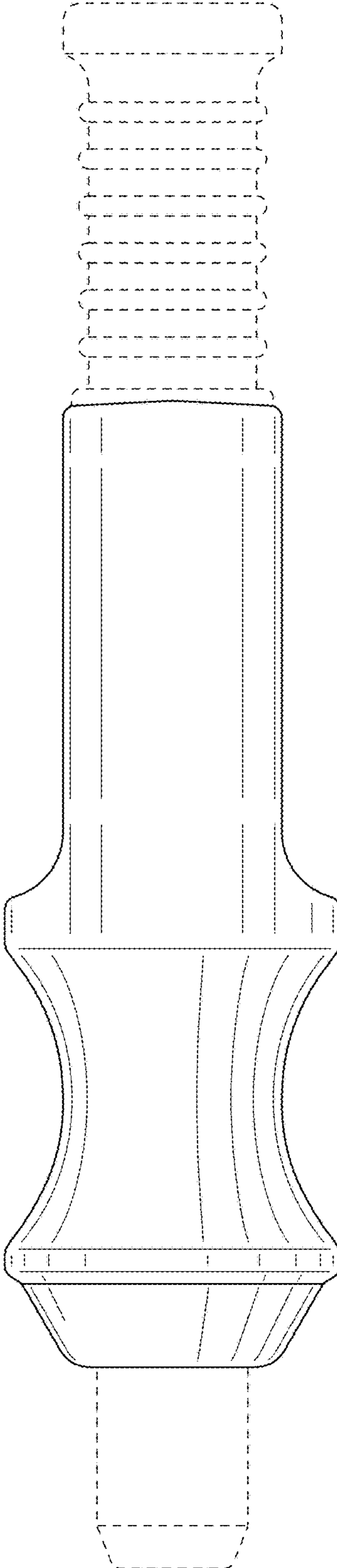


Fig. 6

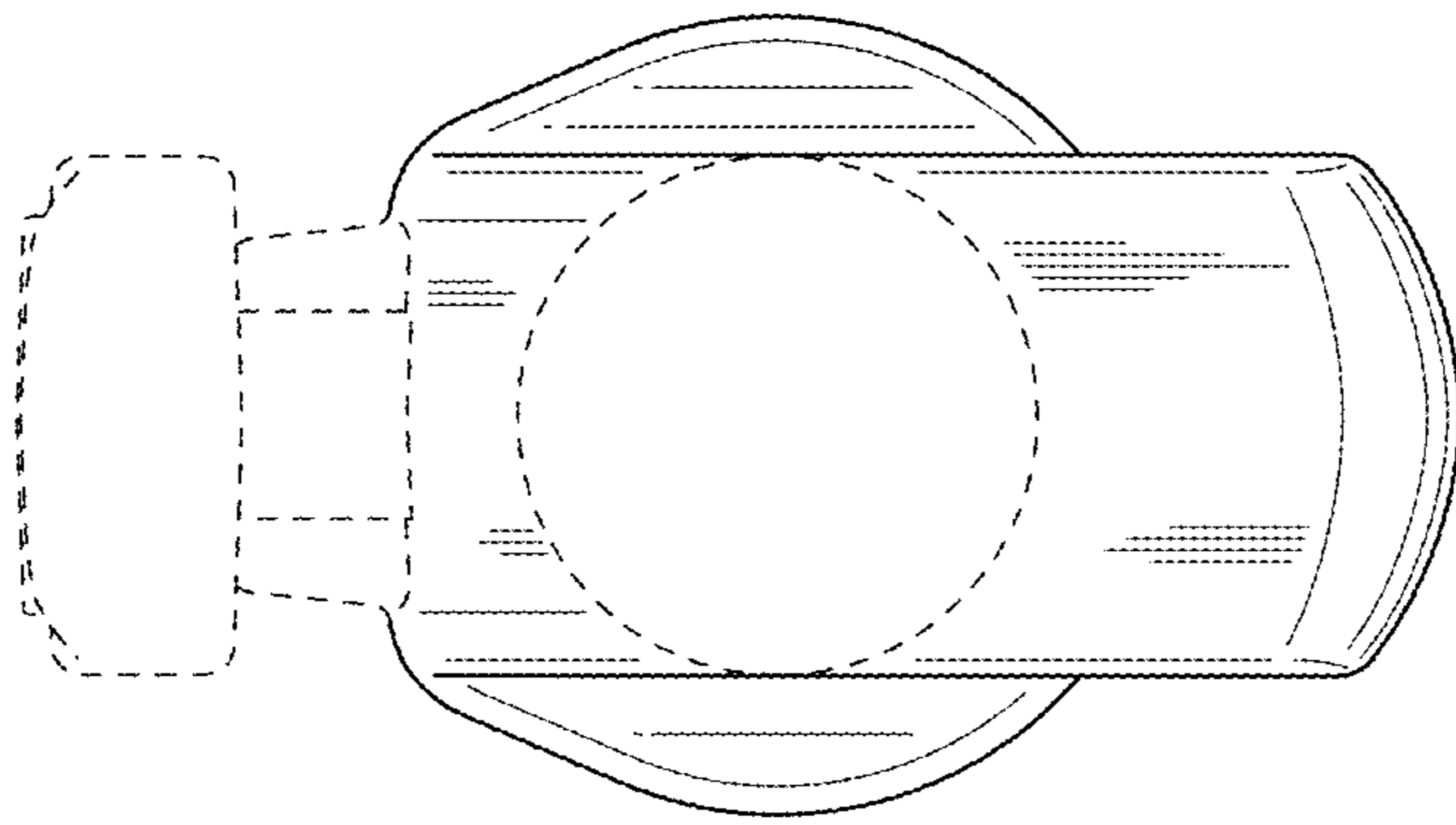


Fig. 7

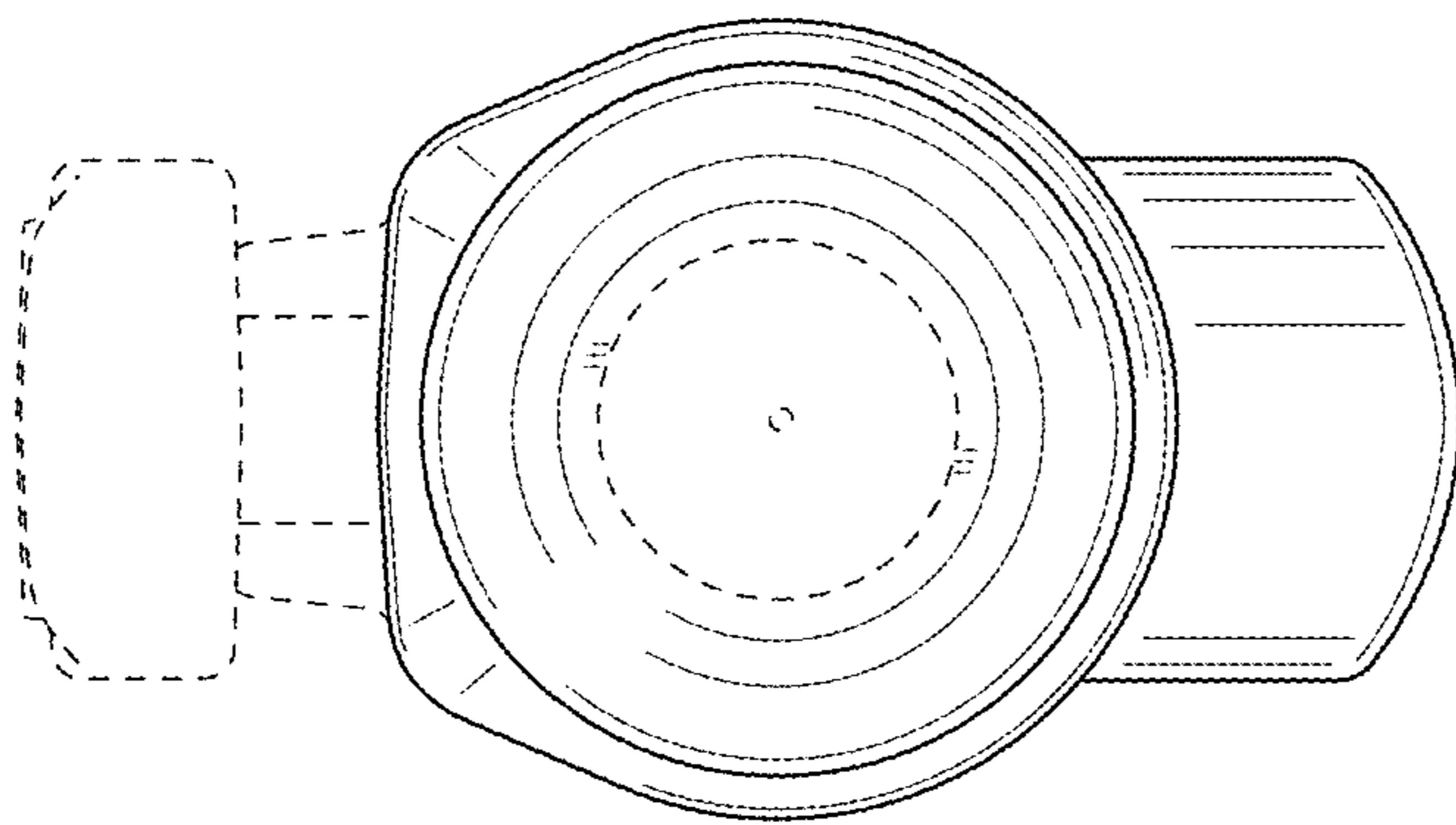


Fig. 8