



US00D839416S

(12) **United States Design Patent**
Wohlfahrt et al.

(10) **Patent No.:** **US D839,416 S**
(45) **Date of Patent:** **** Jan. 29, 2019**

(54) **AUTO-INJECTOR**
(71) Applicant: **Novartis AG**, Basel (CH)
(72) Inventors: **Tobias Wohlfahrt**, München (DE);
Samuel Coendet, München (DE);
Johannes Egger, München (DE);
Gabriel Iobbi, Basel (CH); **Alain Schmidlin**, Basel (CH); **Mads Sabra**, Basel (CH); **Agathe Buffard**, Basel (CH); **Muriel Didier**, Basel (CH); **Erich Studer**, Basel (CH); **Andrew Bryant**, Basel (CH)

D496,585 S 9/2004 McBride et al.
D507,968 S * 8/2005 Dixon D9/422
7,455,663 B2 11/2008 Bikovsky
D588,908 S 3/2009 Silvenis et al.
D592,494 S 5/2009 Wichowski
D602,155 S * 10/2009 Foley D24/113
D602,586 S * 10/2009 Foley D24/113
D612,042 S 3/2010 Noren
D631,552 S 1/2011 Kasabach et al.
D640,131 S 6/2011 Gibson et al.
8,157,769 B2 * 4/2012 Cabiri A61M 5/14248
604/131
D664,298 S 7/2012 Grabes et al.
8,323,213 B2 * 12/2012 Kim A61B 5/412
4/144.1
8,381,909 B2 2/2013 Hernandez et al.
D683,844 S 6/2013 Andrade et al.

(73) Assignee: **Novartis AG**, Basel (CH)

(**) Term: **15 Years**

(21) Appl. No.: **29/607,615**

(22) Filed: **Jun. 14, 2017**

(30) **Foreign Application Priority Data**

Dec. 15, 2016 (EM) 003518943

(51) **LOC (11) Cl.** **24-02**

(52) **U.S. Cl.**
USPC **D24/112**

(58) **Field of Classification Search**
USPC D24/112-114, 133, 186, 104, 130, 127,
D24/176, 108, 110, 220; 606/181, 185;
604/232, 187, 158, 164.08, 192, 263, 163,
604/181, 184, 198, 227, 168.01, 275,
604/890.1; D9/414, 424, 417, 426
CPC A61M 2005/14252; A61M 2005/1581;
A61M 5/14248; A61M 2005/14513;
A61M 2005/206

See application file for complete search history.

(56) **References Cited**

U.S. PATENT DOCUMENTS

D269,249 S 6/1983 Cillario
D281,827 S 12/1985 Bakic

(Continued)

Primary Examiner — David G Miller

Assistant Examiner — Nathan M Johnston

(74) *Attorney, Agent, or Firm* — Mintz Levin Cohn Ferris
Glovsky and Popeo, P.C.

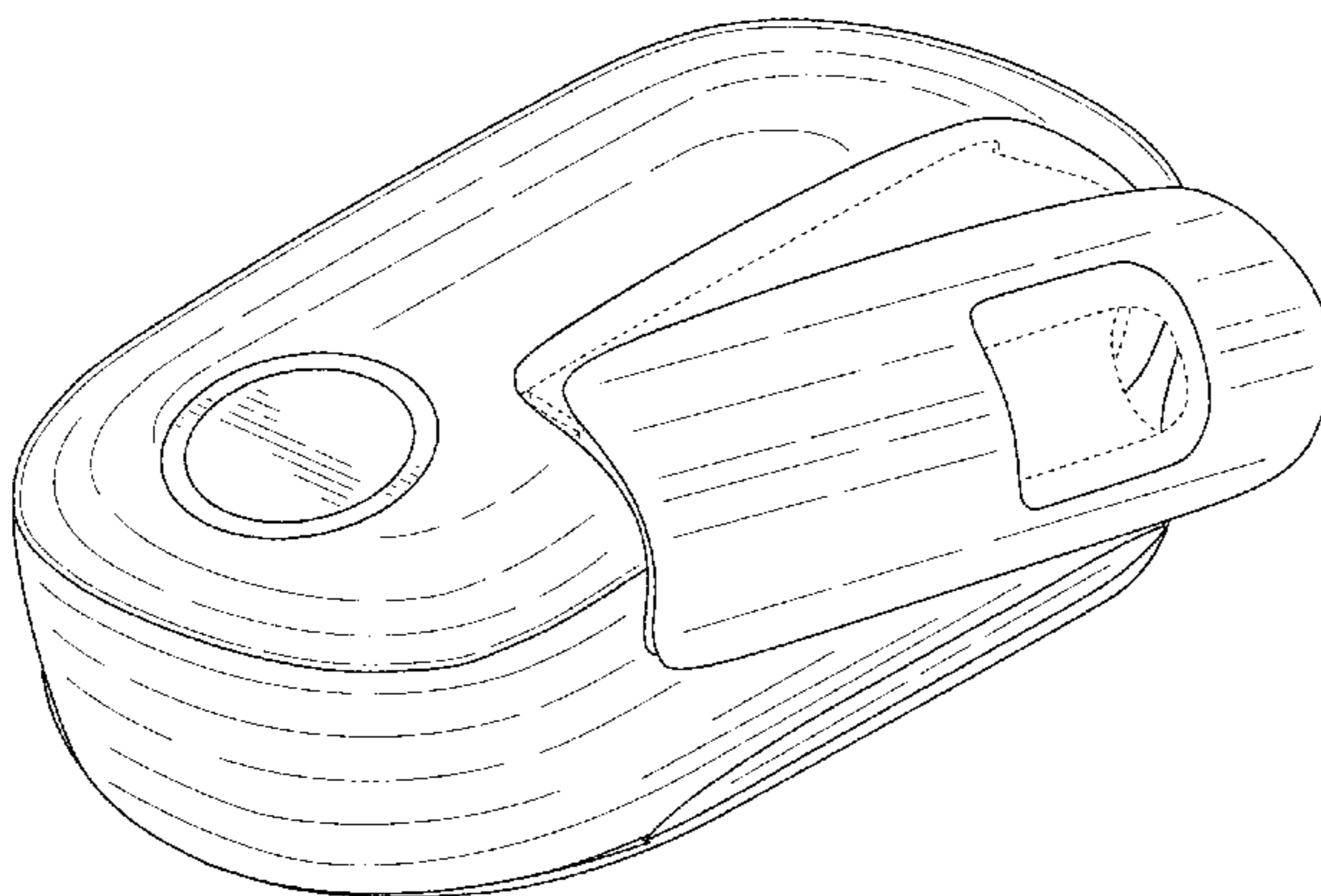
(57) **CLAIM**

The ornamental design for an auto-injector, as shown and described.

DESCRIPTION

FIG. 1 is a top, right side, front perspective view of an auto-injector showing our new design;
FIG. 2 is a front elevation view thereof;
FIG. 3 is a rear elevation view thereof;
FIG. 4 is a left side elevation view thereof;
FIG. 5 is a right side elevation view thereof;
FIG. 6 is a top plan view thereof; and,
FIG. 7 is a bottom plan view thereof.
The dash-dash broken lines illustrate portions of the auto-injector that form no part of the claimed design.

1 Claim, 7 Drawing Sheets



(56)

References Cited

U.S. PATENT DOCUMENTS

D685,083	S *	6/2013	Schneider	D24/108	2009/0216194	A1	8/2009	Elgard Pedersen et al.
D687,141	S *	7/2013	Schneider	D24/108	2010/0114026	A1 *	5/2010	Karratt
D687,536	S *	8/2013	Guarraia	D24/108				A61M 5/14248 604/151
D694,102	S	11/2013	Bellamah et al.			2012/0078181	A1 *	3/2012	Smith
D699,855	S *	2/2014	Netzel	D24/188				A61M 5/14216 604/152
D733,288	S	6/2015	Althorpe et al.			2014/0058349	A1 *	2/2014	Bazargan
D744,109	S	11/2015	Yoneta et al.						A61M 5/1456 604/500
D744,110	S	11/2015	Kubo et al.			2014/0207065	A1 *	7/2014	Yavorsky
D748,273	S *	1/2016	Chang	D24/186				A61M 5/14248 604/151
D759,236	S *	6/2016	Preiss	D24/127	2014/0213975	A1	7/2014	Clemente et al.
D760,374	S	6/2016	Nagar et al.			2015/0051573	A1 *	2/2015	Tieck
D769,438	S *	10/2016	Crosby	D24/110				A61M 5/14216 604/500
D774,640	S *	12/2016	Tyce	D24/113	2015/0057613	A1 *	2/2015	Clemente
D776,270	S	1/2017	Wilcox et al.						A61M 5/14566 604/148
D776,873	S *	1/2017	Levi	D24/133	2015/0250943	A1 *	9/2015	Momose
9,707,335	B2 *	7/2017	Agard	A61M 5/14216				A61M 5/14276 604/151
D794,770	S *	8/2017	Wu	D24/108	2015/0306307	A1 *	10/2015	Cole
9,782,545	B2 *	10/2017	Gross	A61M 5/31596				A61M 5/14248 604/508
D804,015	S *	11/2017	Lamba	D24/110	2016/0058941	A1 *	3/2016	Wu
D804,019	S *	11/2017	Costello	D24/113				A61M 5/145 604/136
D804,042	S *	11/2017	Cohrs	D24/186	2016/0317738	A1 *	11/2016	Cross
D805,190	S	12/2017	Costello et al.			2016/0369789	A1 *	12/2016	Alderete, Jr.
D805,633	S	12/2017	Costello et al.						F04B 19/22
D806,232	S *	12/2017	Hwang	D24/112	2017/0043101	A1	2/2017	Cole et al.
D806,234	S *	12/2017	Costello	D24/113	2017/0182243	A1 *	6/2017	Cole
D806,880	S	1/2018	Henning			2017/0224910	A1 *	8/2017	Yodfat
2008/0281270	A1 *	11/2008	Cross	A61M 5/1413 604/122	2017/0224915	A1 *	8/2017	Destefano
						2017/0281864	A1	10/2017	Searle et al.
						2017/0290975	A1 *	10/2017	Barmaimon
						2018/0021508	A1 *	1/2018	Destefano

* cited by examiner

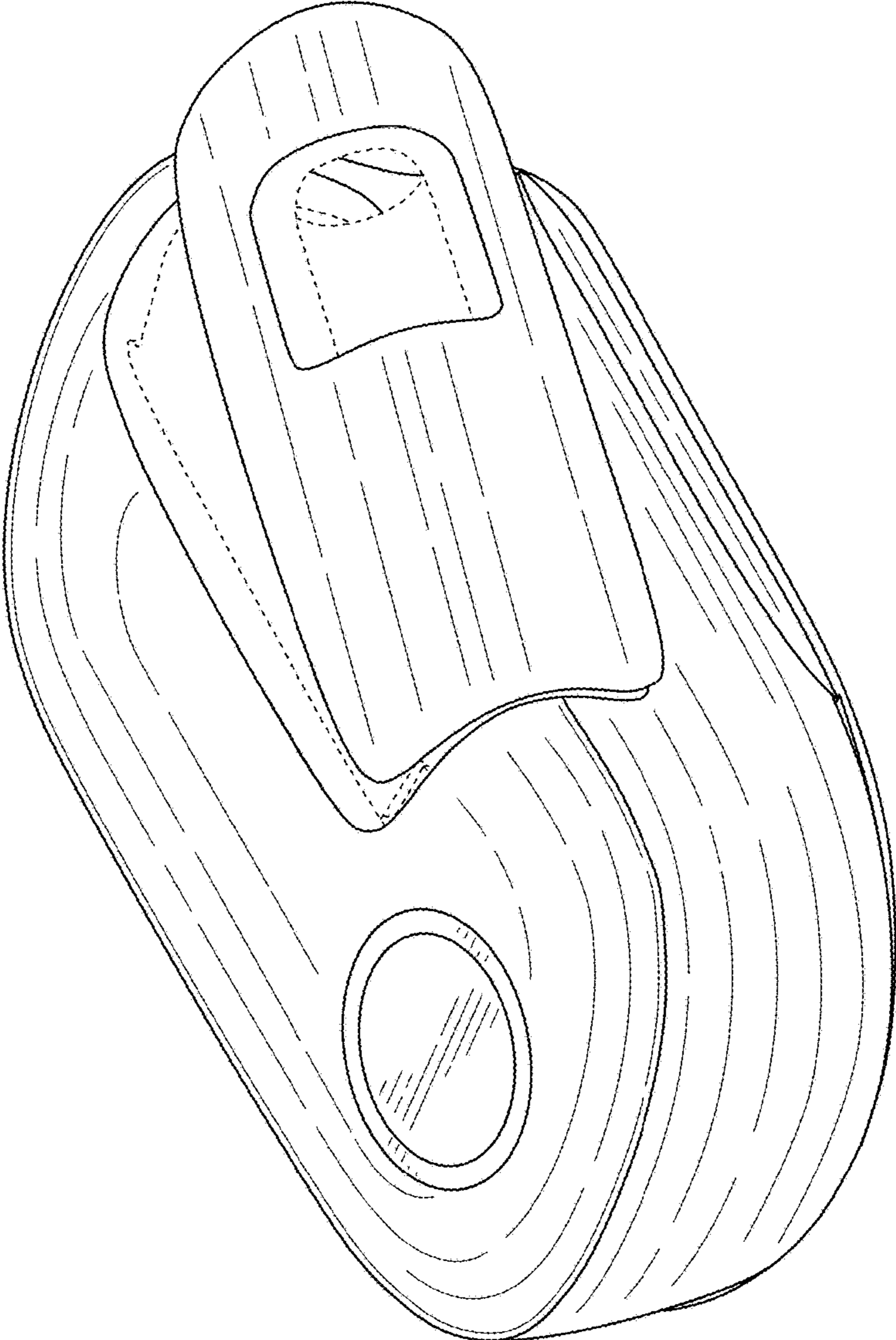


FIG. 1

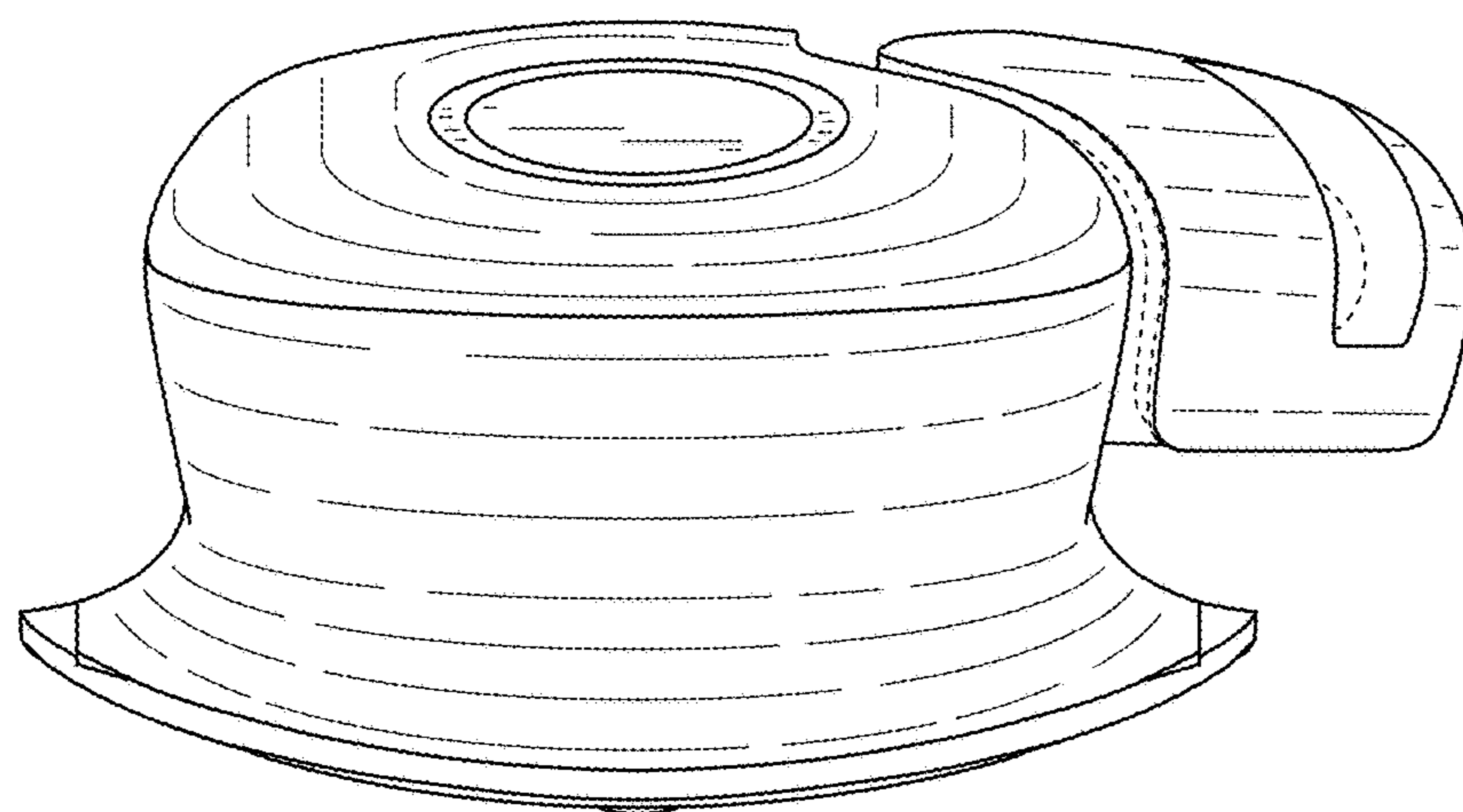


FIG. 2

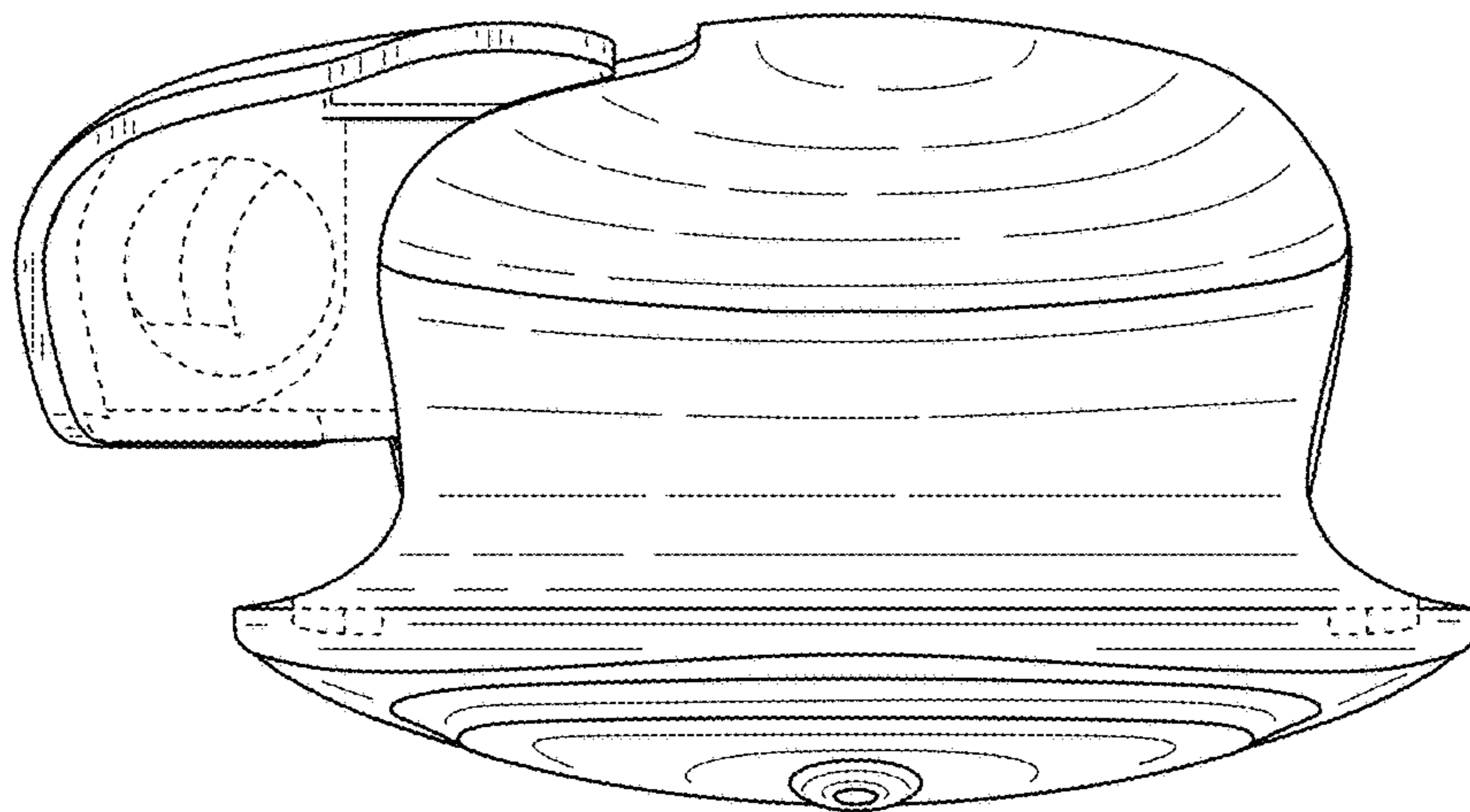


FIG. 3

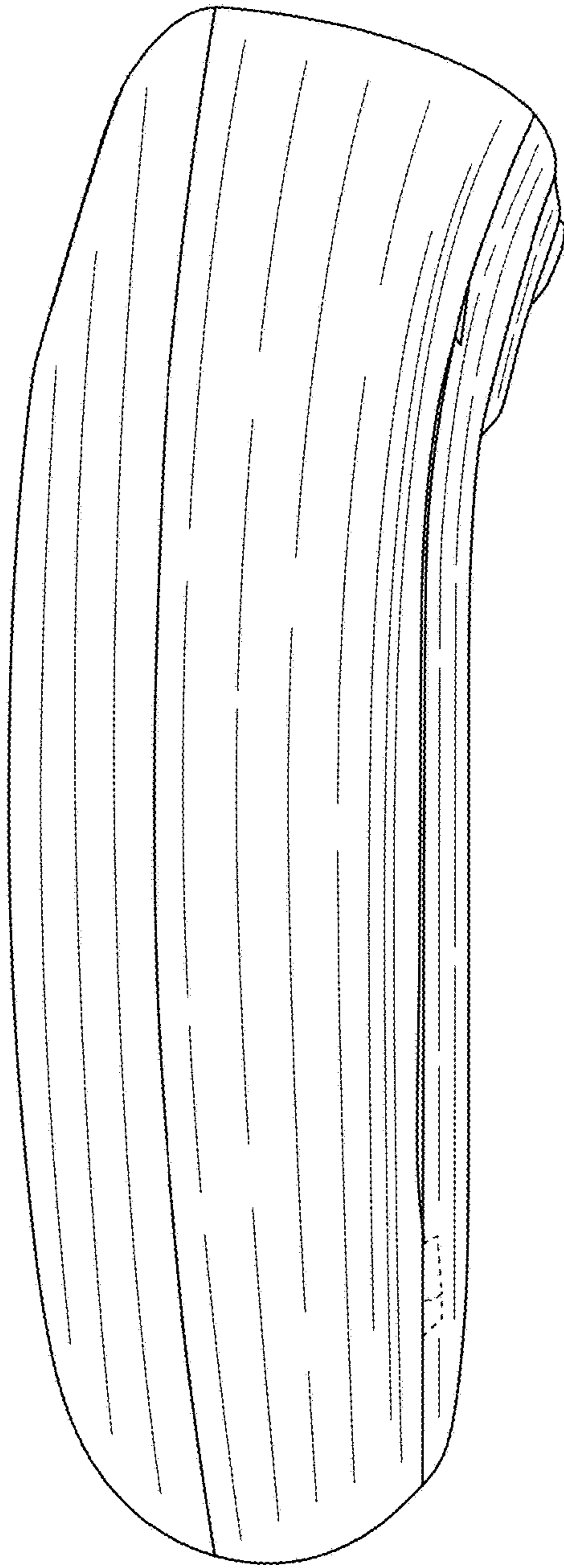


FIG. 4

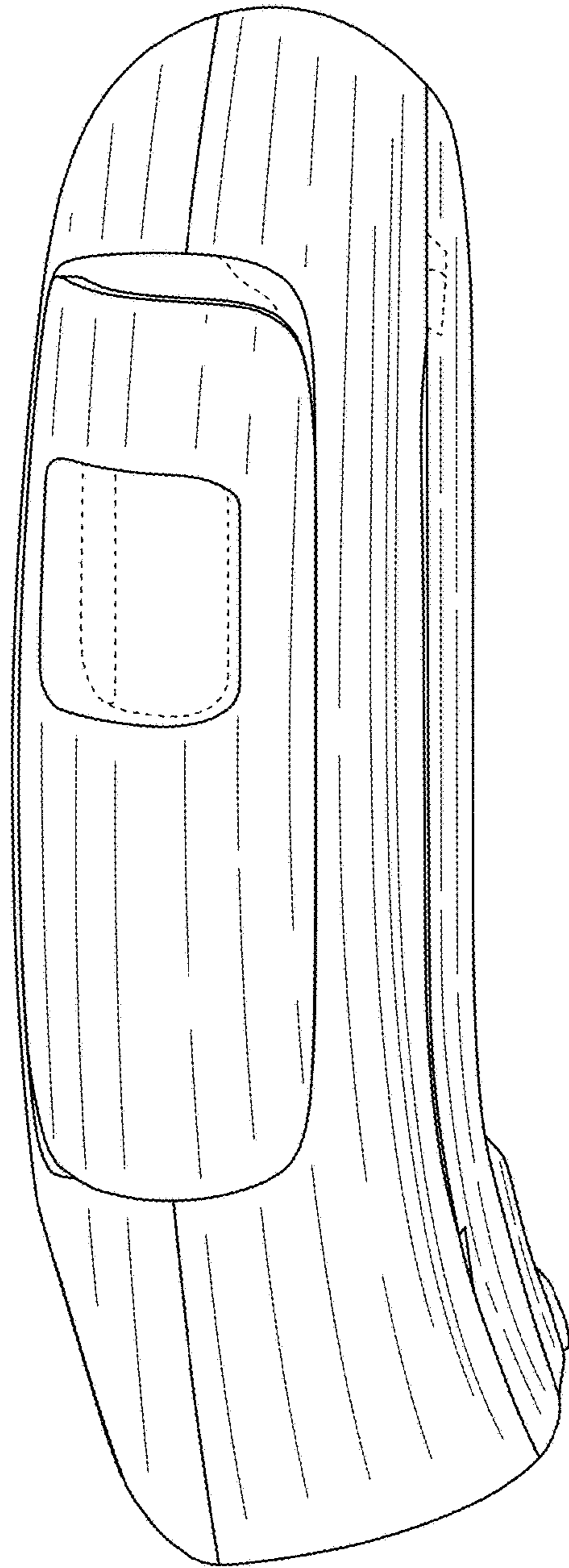


FIG. 5

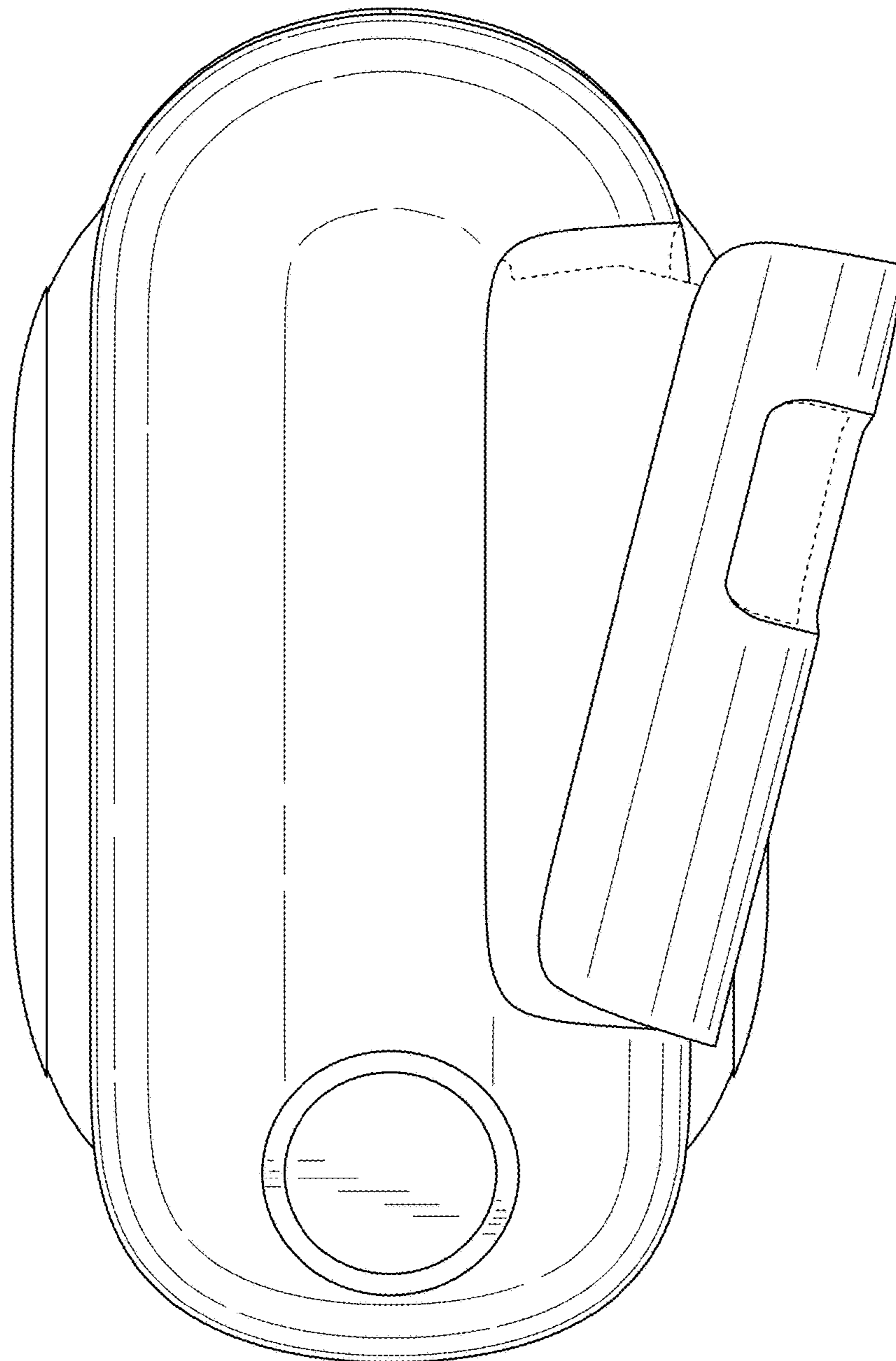


FIG. 6

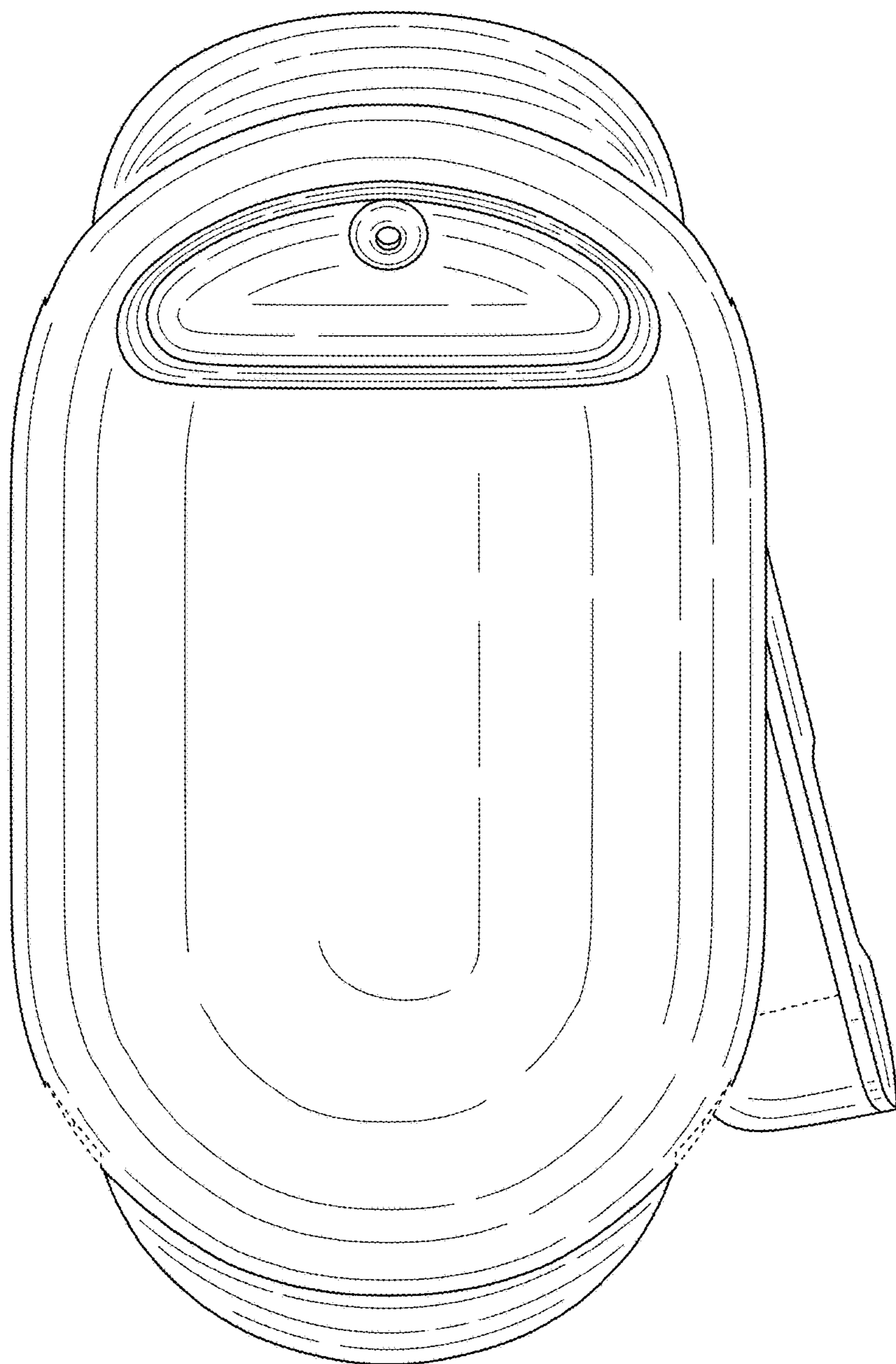


FIG. 7