



US00D839413S

(12) **United States Design Patent** (10) **Patent No.:** **US D839,413 S**
Wohlfahrt et al. (45) **Date of Patent:** **** Jan. 29, 2019**

(54) **AUTO-INJECTOR** D496,585 S 9/2004 McBride et al.
 (71) Applicant: **Novartis AG**, Basel (CH) D507,968 S * 8/2005 Dixon D9/422
 (72) Inventors: **Tobias Wohlfahrt**, München (DE); 7,455,663 B2 11/2008 Bikovsky
Samuel Coendet, München (DE); D588,908 S 3/2009 Silvenis et al.
Johannes Egger, München (DE); D592,494 S 5/2009 Wichowski
Gabriel Iobbi, Basel (CH); **Alain** D602,155 S * 10/2009 Foley D24/113
Schmidlin, Basel (CH); **Mads Sabra**, D602,586 S * 10/2009 Foley D24/113
 Basel (CH); **Agathe Buffard**, Basel D612,042 S 3/2010 Noren
 (CH); **Muriel Didier**, Basel (CH); D631,552 S 1/2011 Kasabach et al.
Erich Studer, Basel (CH); **Andrew** D640,131 S 6/2011 Gibson et al.
Bryant, Basel (CH) 8,157,769 B2 * 4/2012 Cabiri A61M 5/14248
 604/131
 D664,298 S 7/2012 Grabes et al.
 8,323,213 B2 * 12/2012 Kim A61B 5/412
 4/144.1
 8,381,909 B2 2/2013 Hernandez et al.
 D683,844 S 6/2013 Andrade et al.

(Continued)

Primary Examiner — David G Muller
Assistant Examiner — Nathan M Johnston
(74) *Attorney, Agent, or Firm* — Mintz Levin Cohn Ferris
Glovsky and Popeo, P.C.

(**) Term: **15 Years**

(21) Appl. No.: **29/607,610**

(22) Filed: **Jun. 14, 2017**

(30) **Foreign Application Priority Data**

Dec. 15, 2016 (EM) 003518943

(51) **LOC (11) Cl.** **24-02**

(52) **U.S. Cl.**
USPC **D24/112**

(58) **Field of Classification Search**
USPC D24/112–114, 133, 186, 104, 130, 127,
D24/176, 108, 110, 220; 606/181, 185;
604/232, 187, 158, 164.08, 192, 263, 163,
604/181, 184, 198, 227, 168.01, 275,
604/890.1; D9/414, 424, 417, 426
CPC A61M 2005/14252; A61M 2005/1581;
A61M 5/14248; A61M 2005/14513;
A61M 2005/206
See application file for complete search history.

(56) **References Cited**

U.S. PATENT DOCUMENTS

D269,249 S 6/1983 Cillario
D281,827 S 12/1985 Bakic

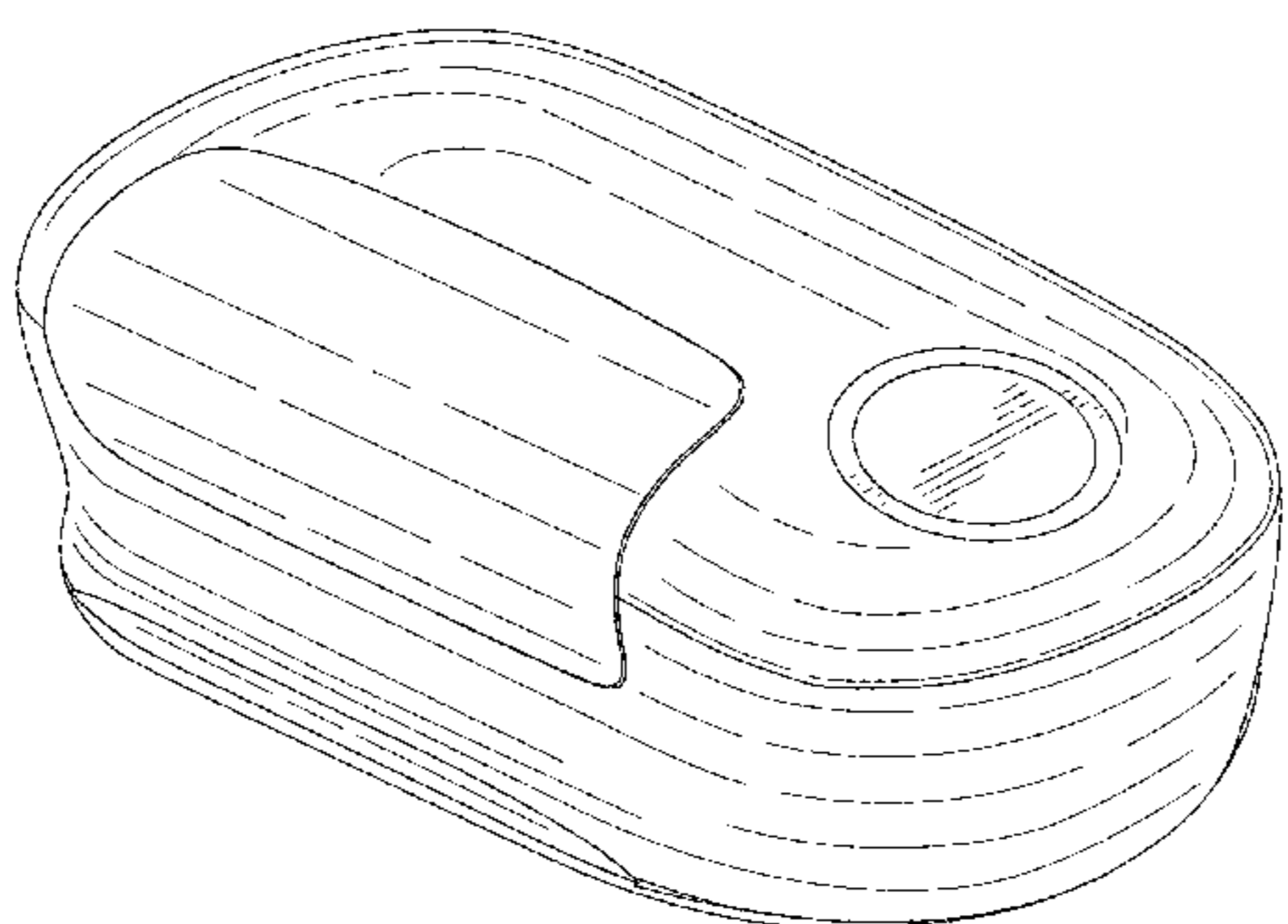
(57) **CLAIM**

The ornamental design for an auto-injector, as shown and described.

DESCRIPTION

FIG. 1 is a top, left side, front perspective view of an auto-injector showing our new design; FIG. 2 is a front elevation view thereof; FIG. 3 is a rear elevation view thereof; FIG. 4 is a left side elevation view thereof; FIG. 5 is a right side elevation view thereof; FIG. 6 is a top plan view thereof; and, FIG. 7 is a bottom plan view thereof. The dash-dash broken lines illustrate portions of the auto-injector that form no part of the claimed design.

1 Claim, 7 Drawing Sheets



(56)

References Cited

U.S. PATENT DOCUMENTS

D685,083 S *	6/2013	Schneider	D24/108	2009/0216194 A1	8/2009	Elgard Pedersen et al.
D687,141 S *	7/2013	Schneider	D24/108	2010/0114026 A1 *	5/2010	Karratt A61M 5/14248 604/151
D687,536 S *	8/2013	Guarraia	D24/108	2012/0078181 A1 *	3/2012	Smith A61M 5/14216 604/152
D694,102 S	11/2013	Bellamah et al.		2014/0058349 A1 *	2/2014	Bazargan A61M 5/1456 604/500
D699,855 S *	2/2014	Netzel	D24/188	2014/0207065 A1 *	7/2014	Yavorsky A61M 5/14248 604/151
D733,288 S	6/2015	Althorpe et al.		2014/0213975 A1	7/2014	Clemente et al.
D744,109 S	11/2015	Yoneta et al.		2015/0051573 A1 *	2/2015	Tieck A61M 5/14216 604/500
D744,110 S	11/2015	Kubo et al.		2015/0057613 A1 *	2/2015	Clemente A61M 5/14566 604/148
D748,273 S *	1/2016	Chang	D24/186	2015/0250943 A1 *	9/2015	Momose A61M 5/14276 604/151
D759,236 S *	6/2016	Preiss	D24/127	2015/0306307 A1 *	10/2015	Cole A61M 5/14248 604/508
D760,374 S	6/2016	Nagar et al.		2016/0058941 A1 *	3/2016	Wu A61M 5/145 604/136
D769,438 S *	10/2016	Crosby	D24/110	2016/0317738 A1 *	11/2016	Cross A61M 5/1454
D774,640 S *	12/2016	Tyce	D24/113	2016/0369789 A1 *	12/2016	Alderete, Jr. F04B 19/22
D776,270 S	1/2017	Wilcox et al.		2017/0043101 A1	2/2017	Cole et al.
D776,873 S *	1/2017	Levi	D24/133	2017/0182243 A1 *	6/2017	Cole A61M 5/158
9,707,335 B2 *	7/2017	Agard	A61M 5/14216	2017/0224910 A1 *	8/2017	Yodfat A61M 5/1413
D794,770 S *	8/2017	Wu	D24/108	2017/0224915 A1 *	8/2017	Destefano A61M 5/158
9,782,545 B2 *	10/2017	Gross	A61M 5/31596	2017/0281864 A1	10/2017	Searle et al.
D804,015 S *	11/2017	Lamba	D24/110	2017/0290975 A1 *	10/2017	Barmaimon A61M 5/1454
D804,019 S *	11/2017	Costello	D24/113	2018/0021508 A1 *	1/2018	Destefano A61M 5/14248
D804,042 S *	11/2017	Cohrs	D24/186			
D805,190 S	12/2017	Costello et al.				
D805,633 S	12/2017	Costello et al.				
D806,232 S *	12/2017	Hwang	D24/112			
D806,234 S *	12/2017	Costello	D24/113			
D806,880 S	1/2018	Henning				
2008/0281270 A1 *	11/2008	Cross	A61M 5/1413 604/122			

* cited by examiner

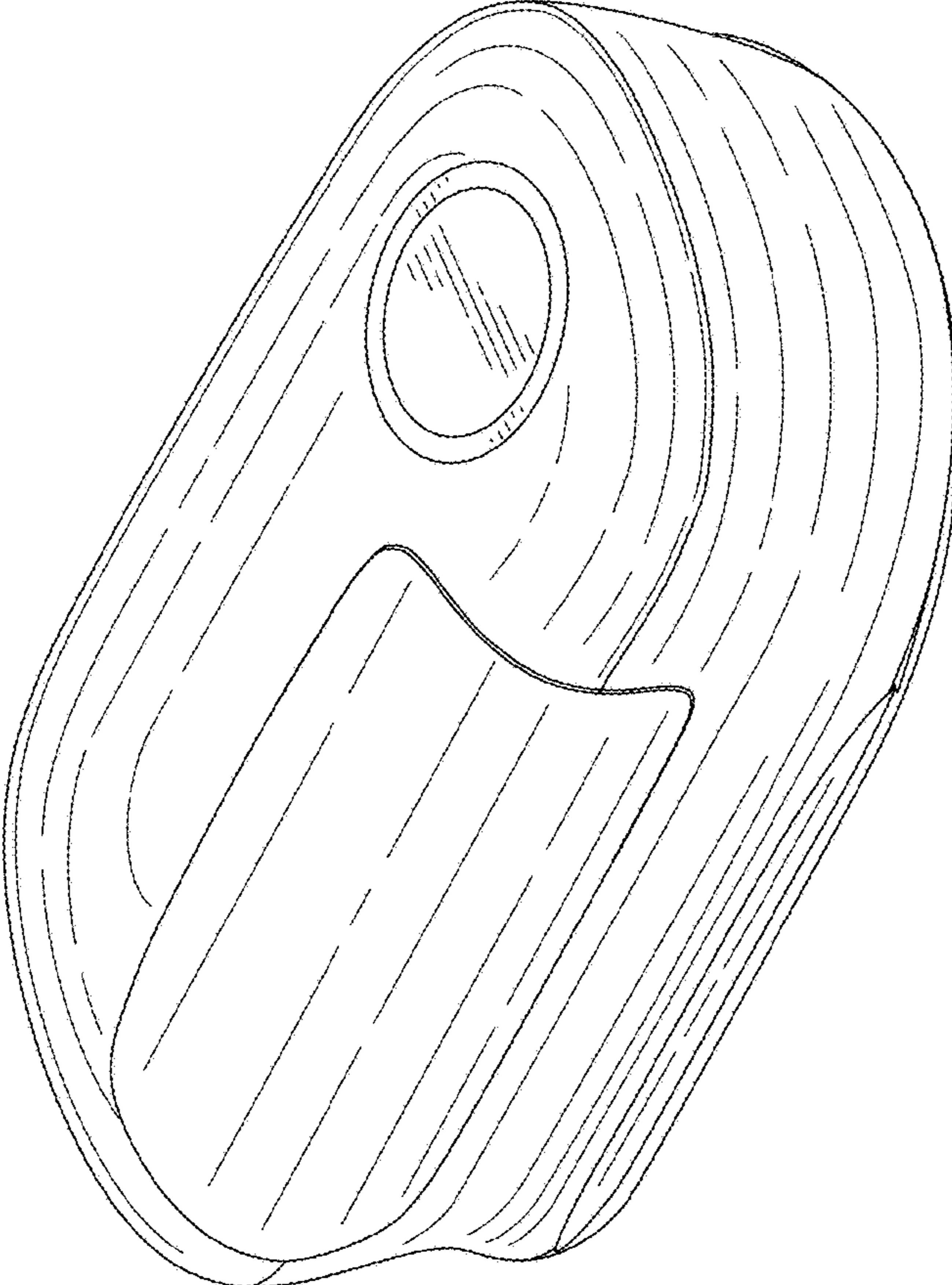


FIG.1

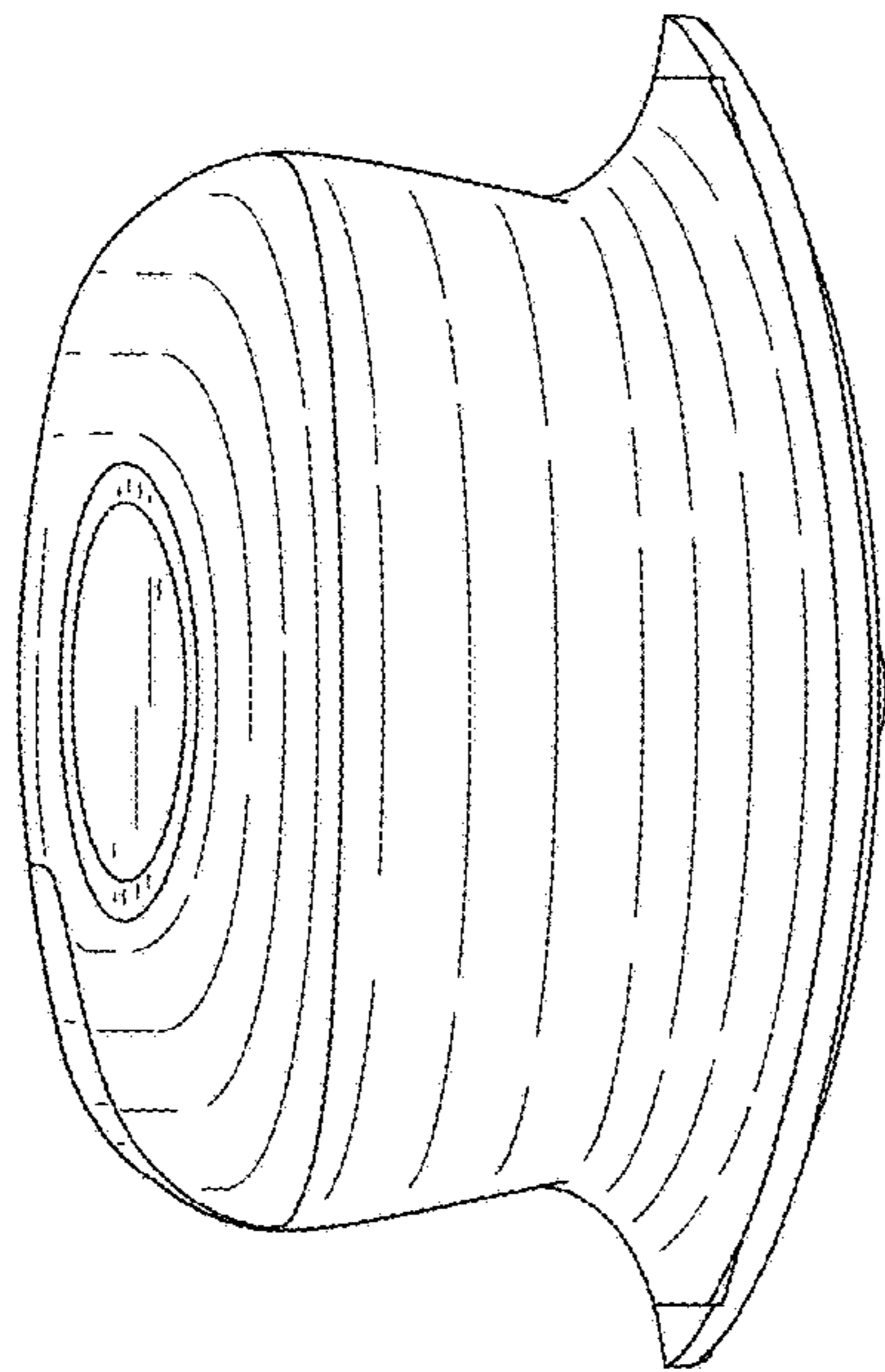


FIG.2

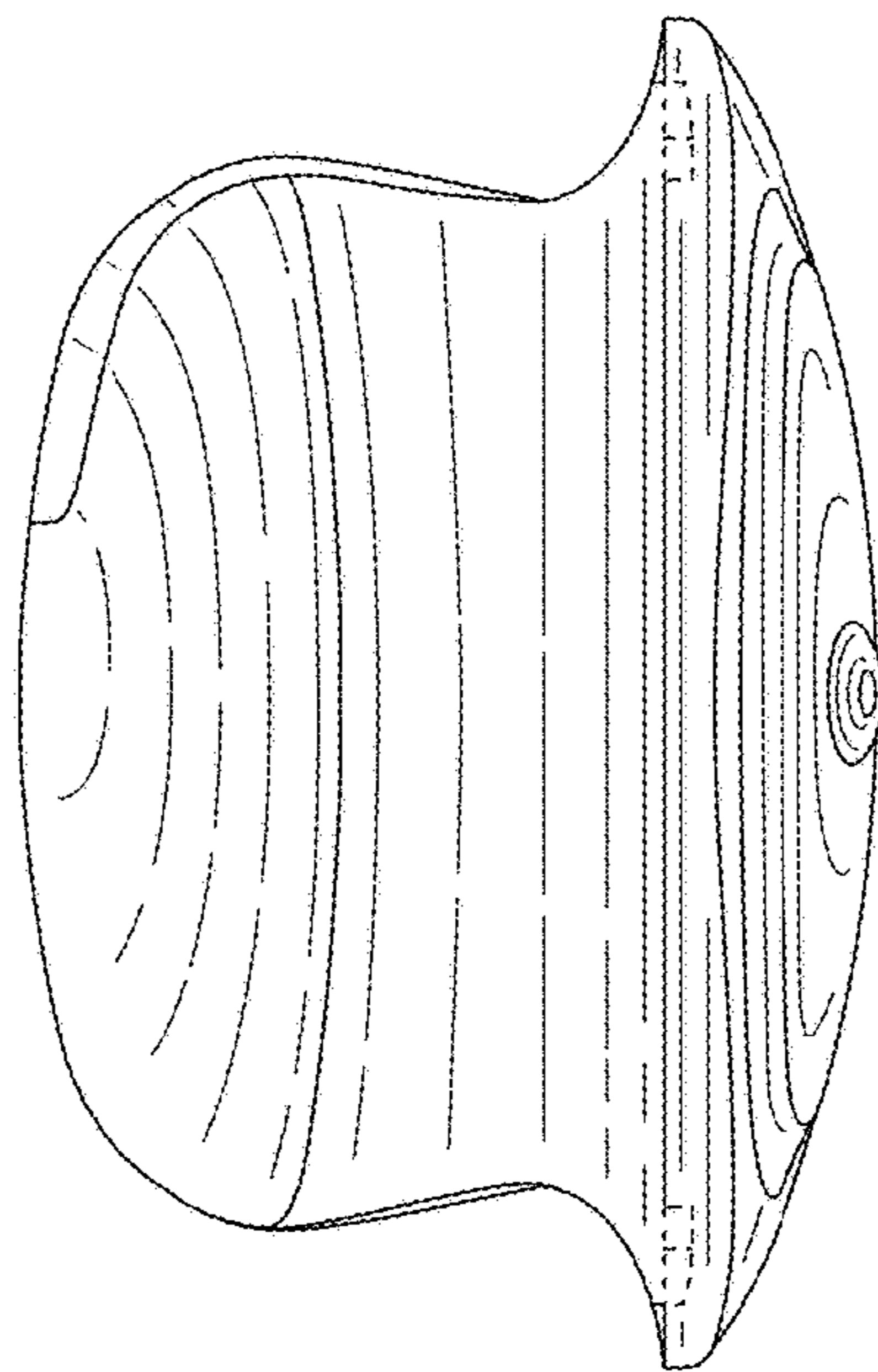


FIG.3

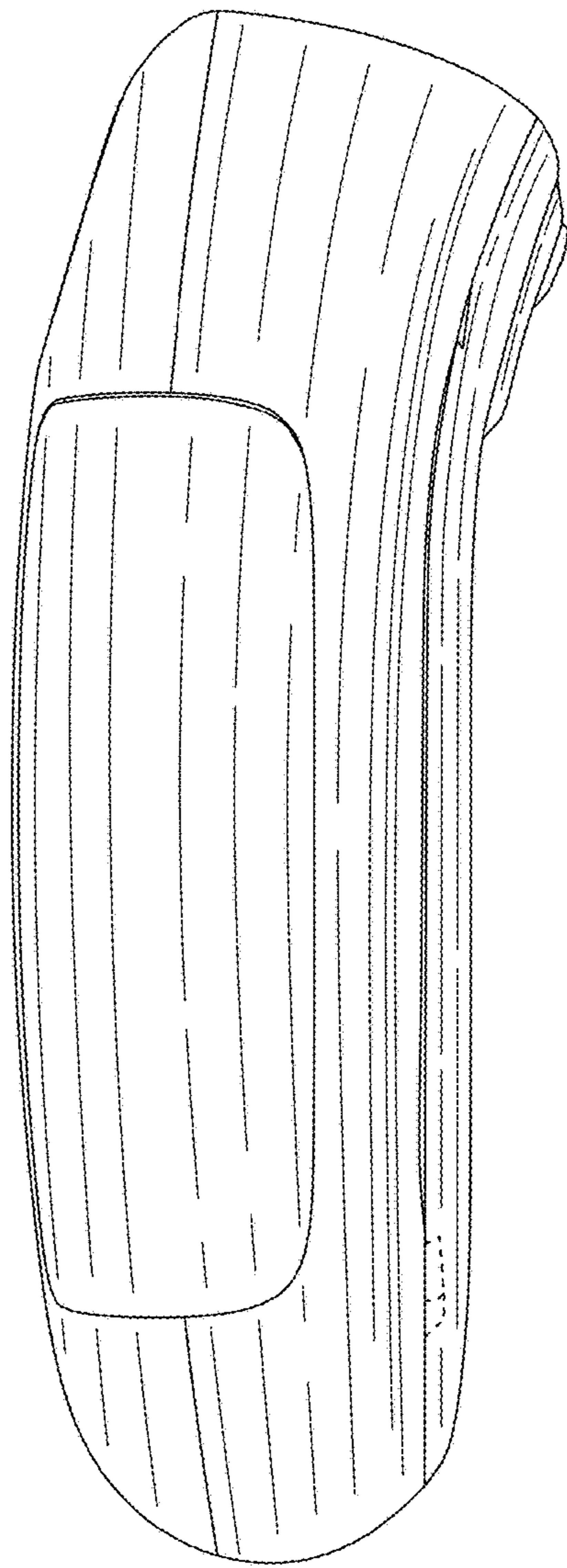


FIG.4

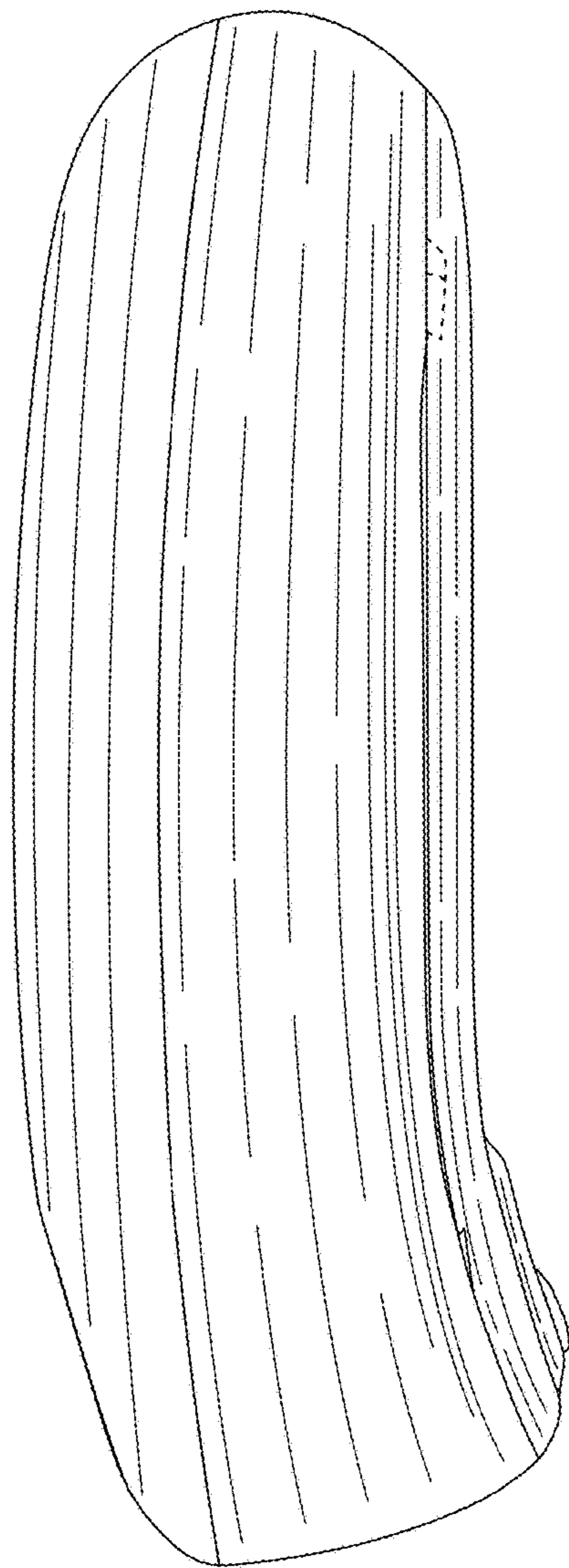


FIG.5

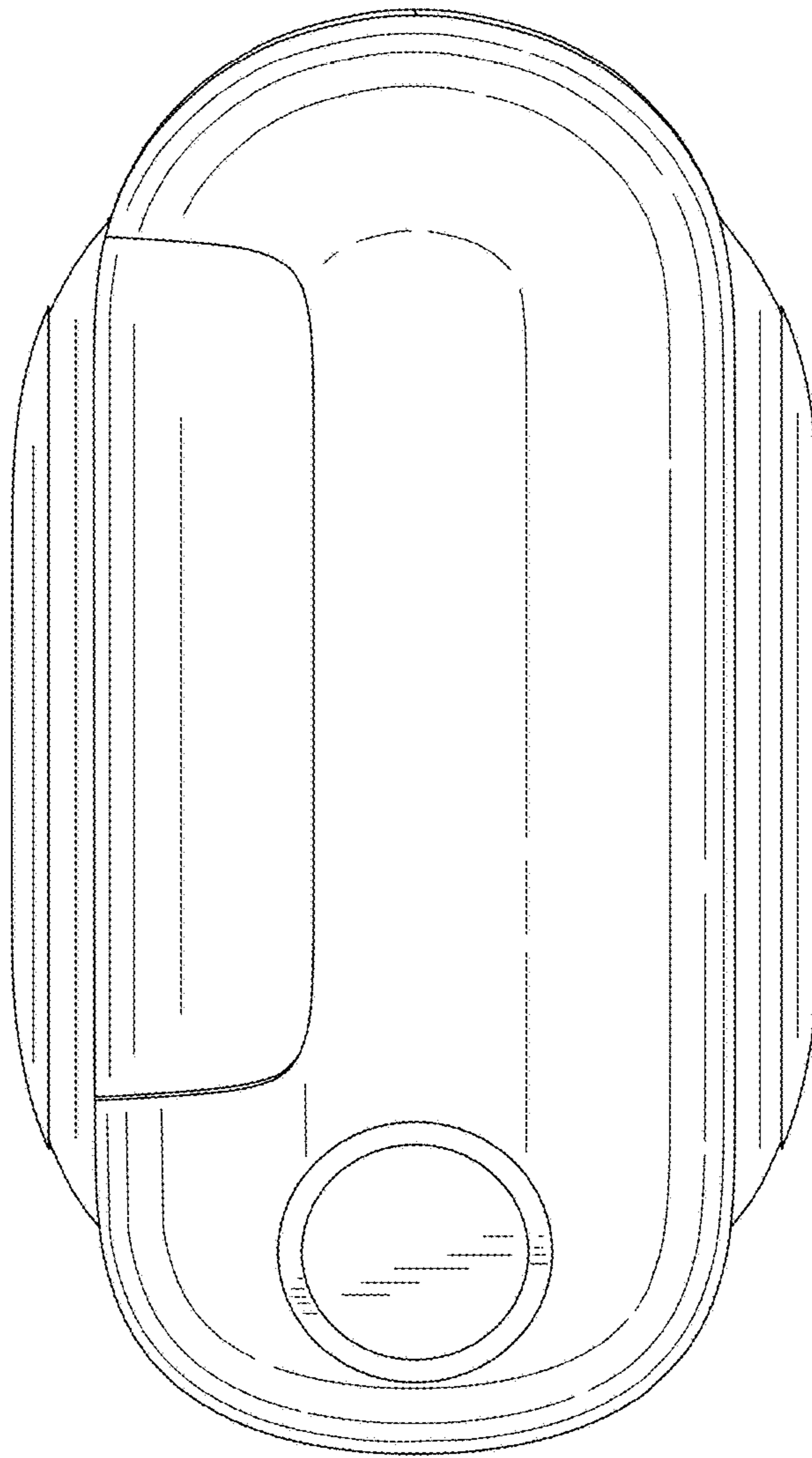


FIG.6

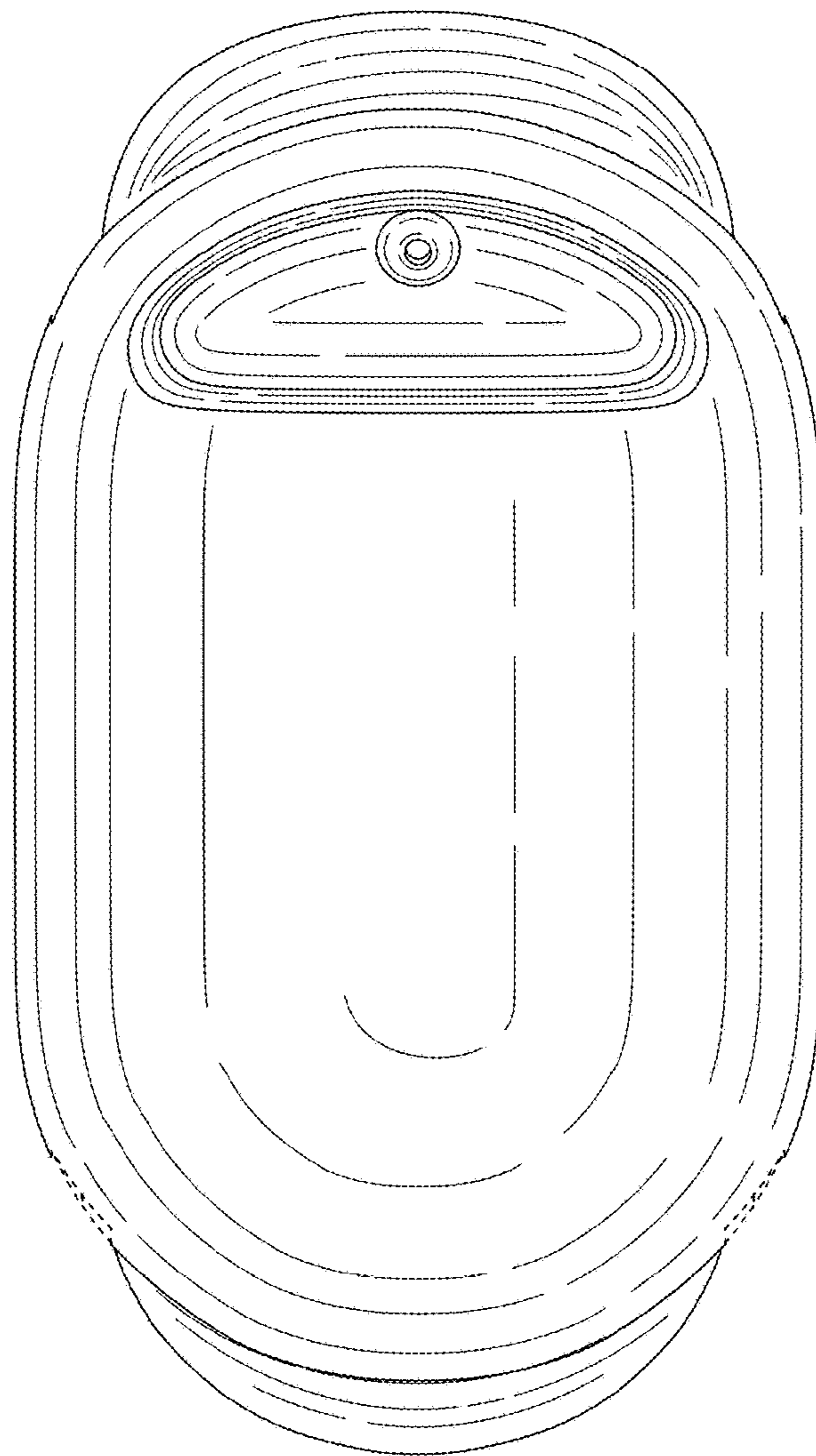


FIG.7