



US00D839408S

(12) **United States Design Patent**
Hu

(10) **Patent No.:** **US D839,408 S**
(45) **Date of Patent:** **** Jan. 29, 2019**

(54) **SNORKELING MASK**

(71) Applicant: **Guoren Hu**, Guang Dong (CN)

(72) Inventor: **Guoren Hu**, Guang Dong (CN)

(**) Term: **15 Years**

(21) Appl. No.: **29/601,745**

(22) Filed: **Apr. 26, 2017**

(51) **LOC (11) Cl.** **29-02**

(52) **U.S. Cl.**

USPC **D24/110.2**; D24/110.4

(58) **Field of Classification Search**

USPC D24/110-110.6, 127, 129; D29/110

CPC A61M 16/0616; A61M 16/0633; A61M

16/06; A61M 16/0666; A61M 16/0683;

A61M 16/0605; A61M 16/0622; A61M

16/0644; A61M 16/0875; A61M 16/0816;

A61M 16/08; B63C 11/205; B63C 11/16;

B63C 11/186; B63C 11/12

See application file for complete search history.

(56) **References Cited**

U.S. PATENT DOCUMENTS

D503,498 S	*	3/2005	Canavan	D29/110
D552,233 S	*	10/2007	Trujillo	D24/110.2
D582,547 S	*	12/2008	Ungar	D24/110.1
D593,197 S	*	5/2009	Todd	D24/110.2
D602,154 S	*	10/2009	Ono	D24/110.2
D668,327 S	*	10/2012	Sumner	D24/110.2
D668,758 S	*	10/2012	Hall	D24/110.2
D704,327 S	*	5/2014	Lavoie	D24/110.2
D704,328 S	*	5/2014	Lavoie	D24/110.2
D775,722 S	*	1/2017	Caprice	D24/110.2
D802,220 S	*	11/2017	Farias	D29/110
2001/0013346 A1	*	8/2001	Lemke	B63C 11/16
					128/201.11
2016/0127716 A1	*	5/2016	Ramiro	H04N 13/044
					348/53

2016/0297505 A1	*	10/2016	Caprice	B63C 11/16
2017/0096204 A1	*	4/2017	Cucchia	B63C 11/12
2017/0334531 A1	*	11/2017	Shiue	A62B 9/02

FOREIGN PATENT DOCUMENTS

CN	304474963	*	7/2017
CN	304478210	*	7/2017
CN	304531642	*	7/2017
CN	304495747	*	8/2017
CN	304495750	*	8/2017

OTHER PUBLICATIONS

Top 8 Best Full Face Snorkel Masks 2017, posted at vbestseller.com, earliest date reviewed on May 20, 2017, [online], acquired on Apr. 10, 2018. Available from Internet, <URL: https://vbestseller.com/best-full-face-snorkel-mask-reviews/> (Year: 2017).*

* cited by examiner

Primary Examiner — Lilyana Bekic

Assistant Examiner — Aula Soroush

(57) **CLAIM**

The ornamental design for a snorkeling mask, as shown and described.

DESCRIPTION

FIG. 1 is a front elevational view of a snorkeling mask showing my new design;

FIG. 2 is a rear elevational view thereof;

FIG. 3 is a left side view thereof;

FIG. 4 is a right side view thereof;

FIG. 5 is a top plan view thereof;

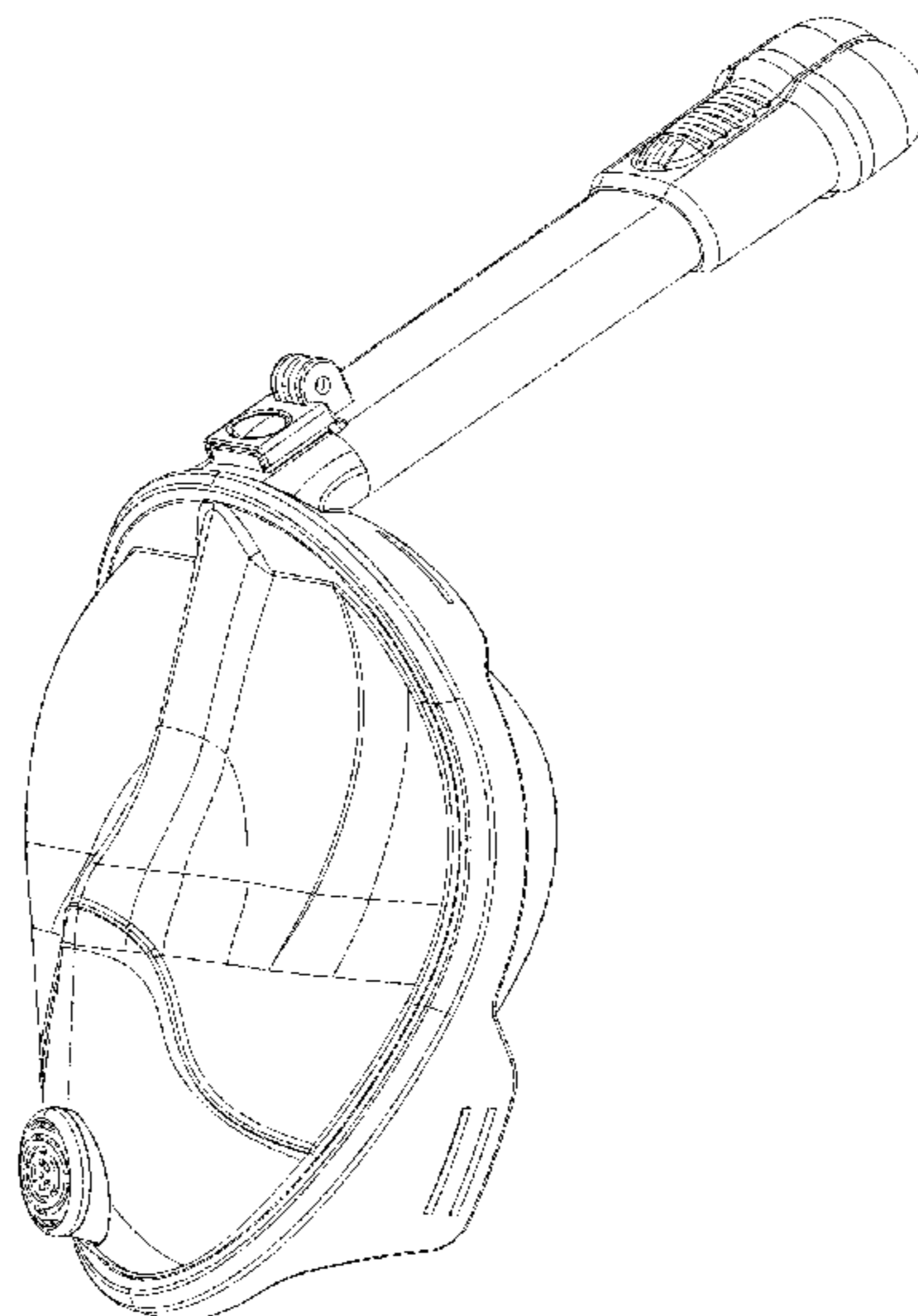
FIG. 6 is a bottom plan view thereof;

FIG. 7 is a top perspective view thereof; and,

FIG. 8 is bottom perspective view thereof.

The broken lines in the drawings illustrate portions of the snorkeling mask that form no part of the claimed design.

1 Claim, 5 Drawing Sheets



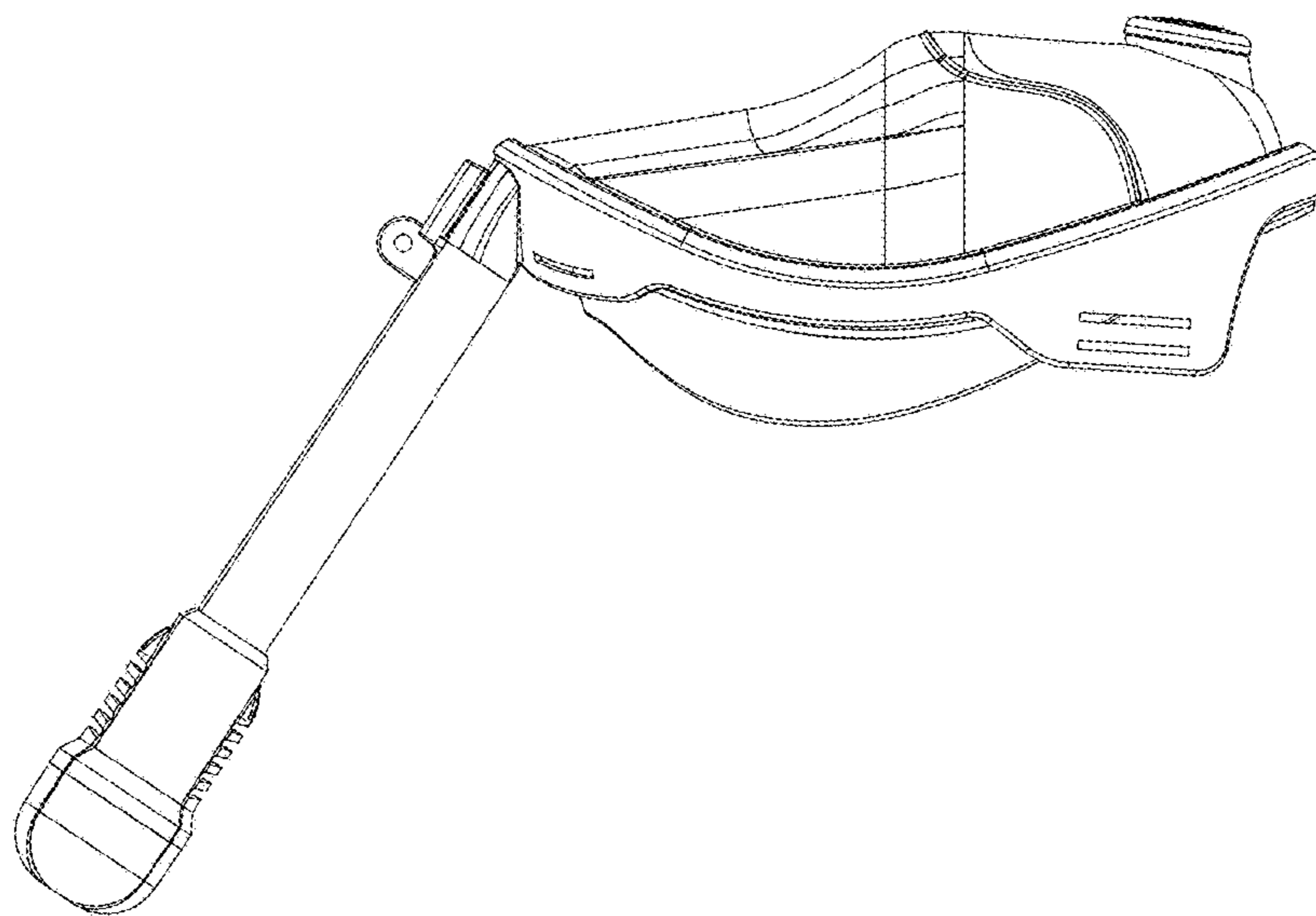


FIG. 1

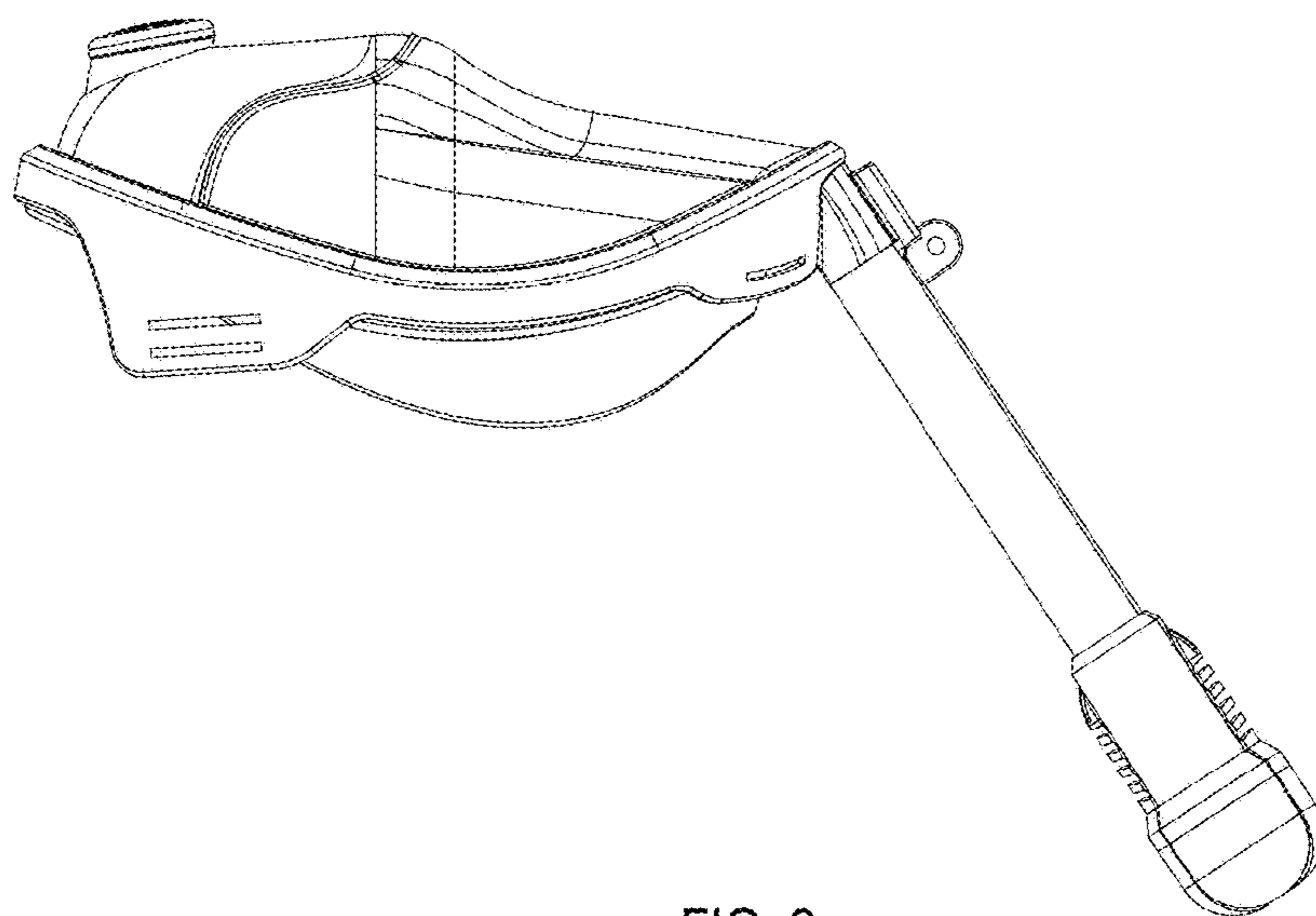


FIG. 2

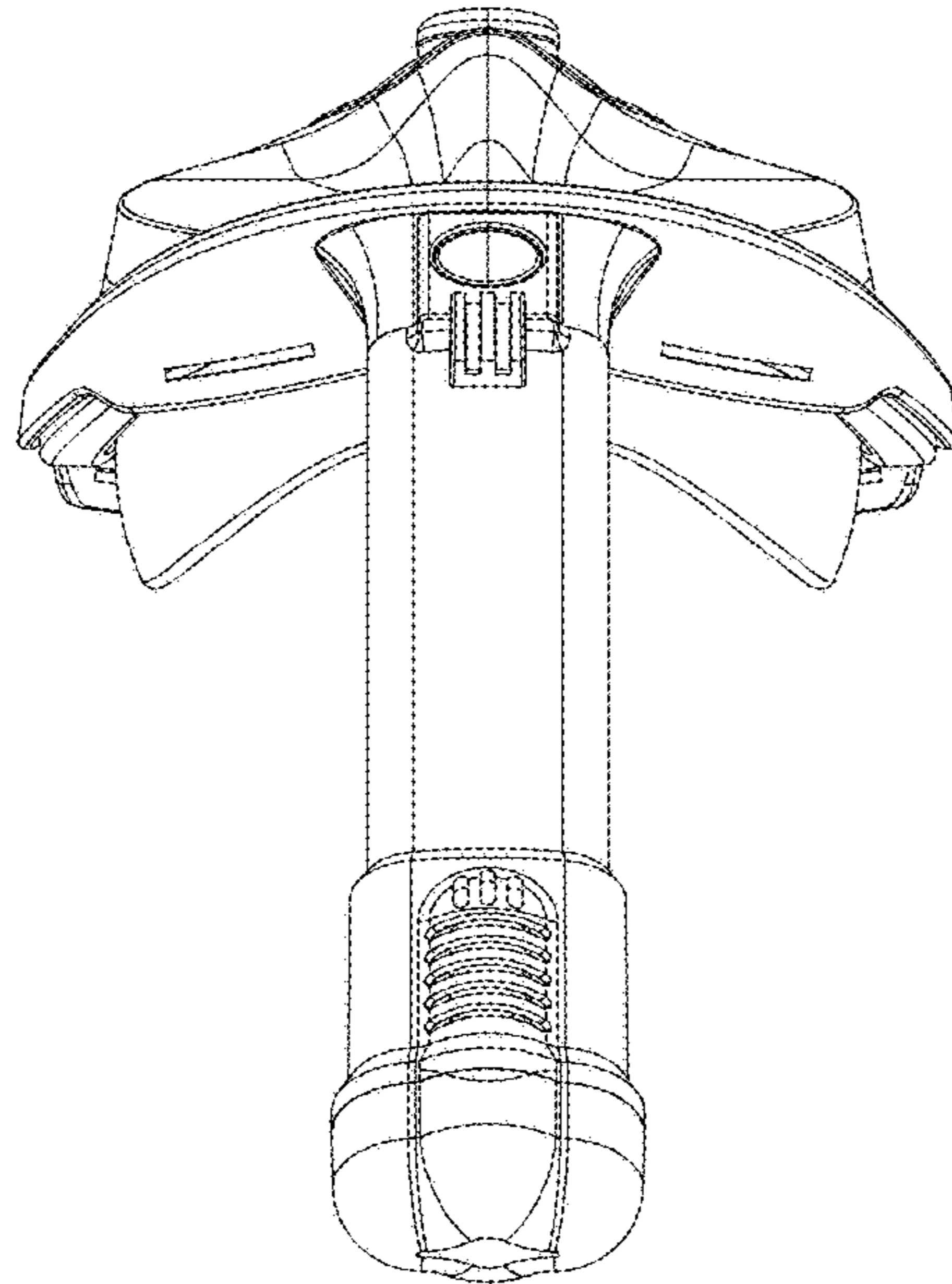


FIG. 3

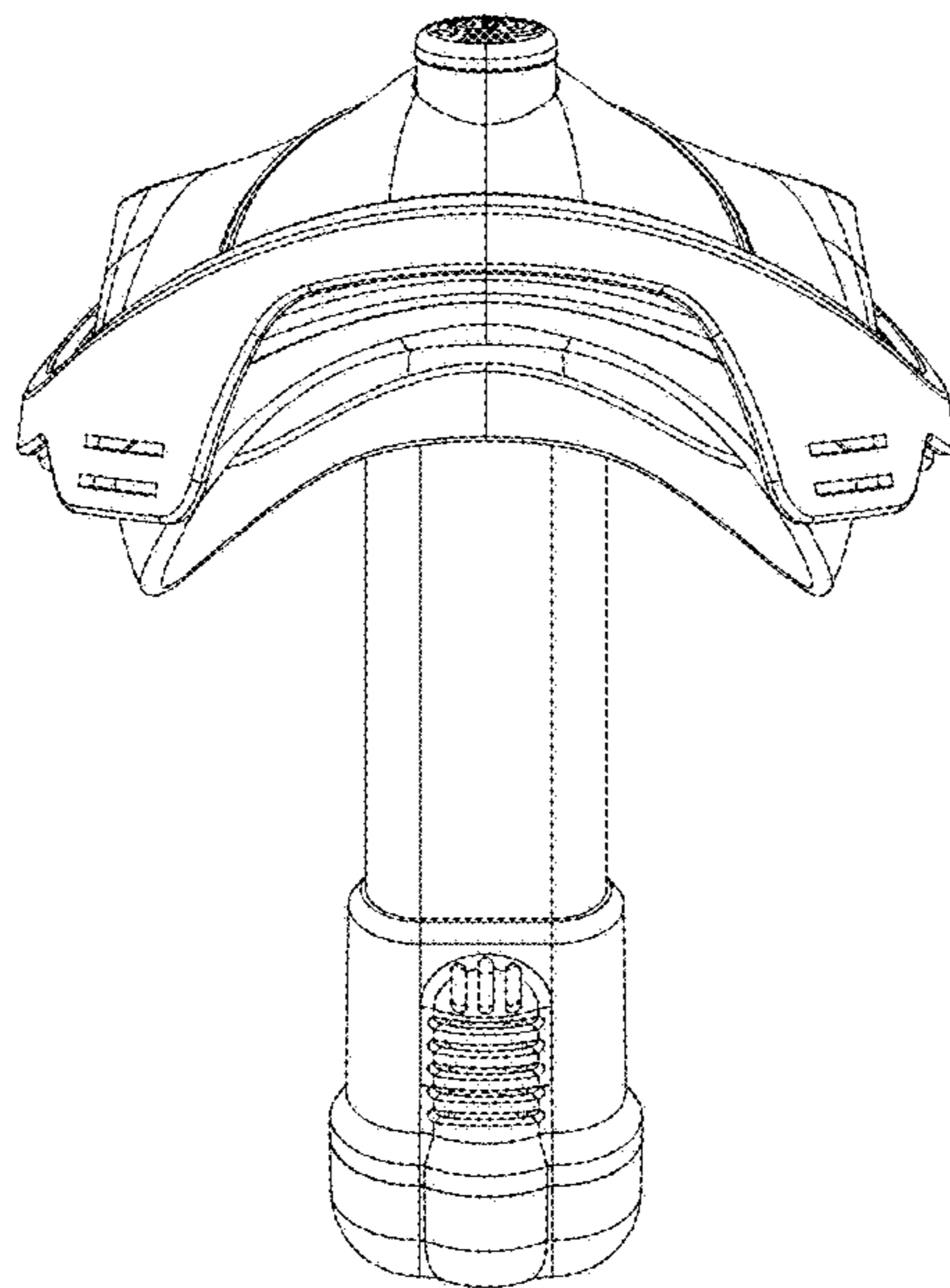


FIG. 4

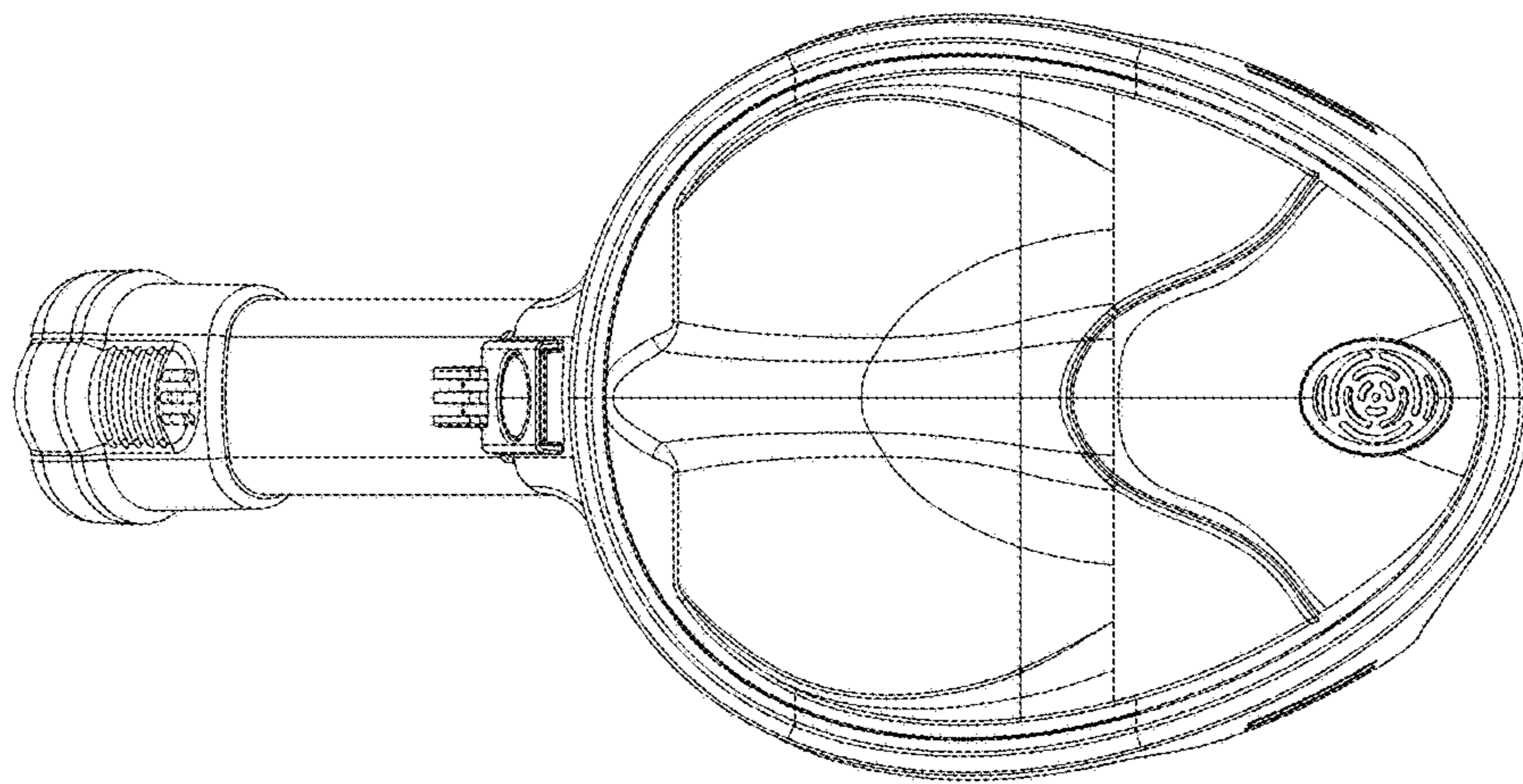


FIG. 5

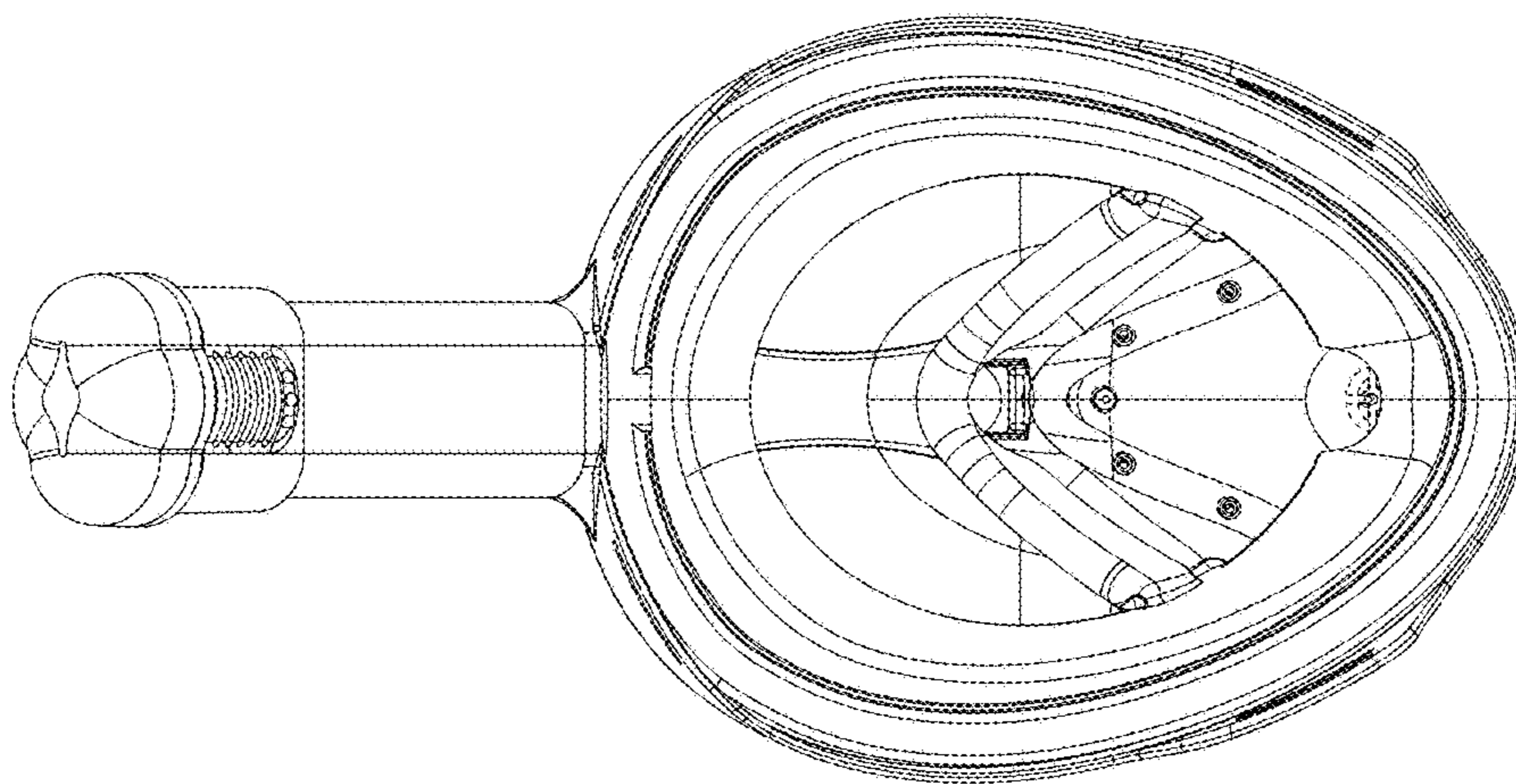


FIG. 6

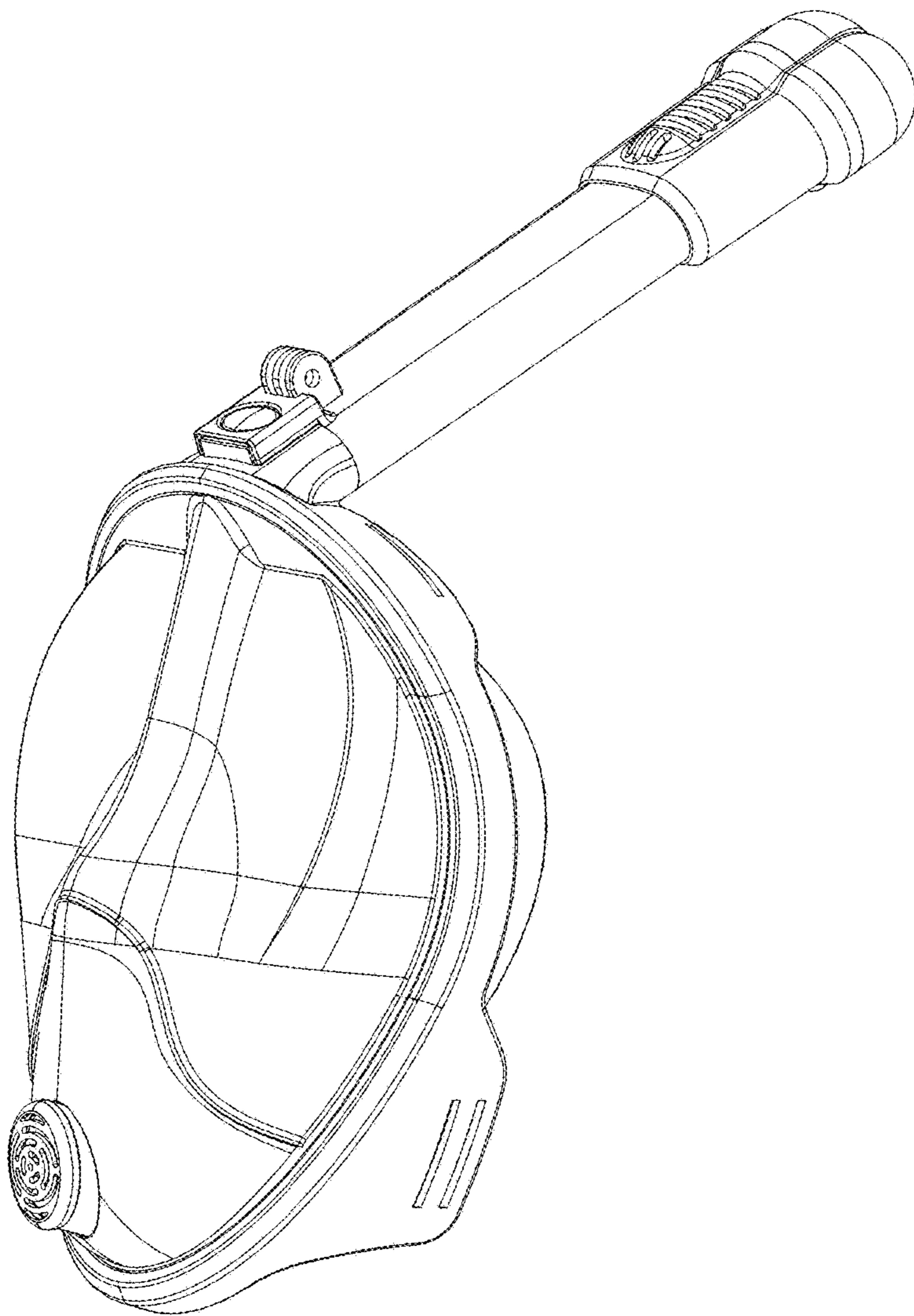


FIG. 7

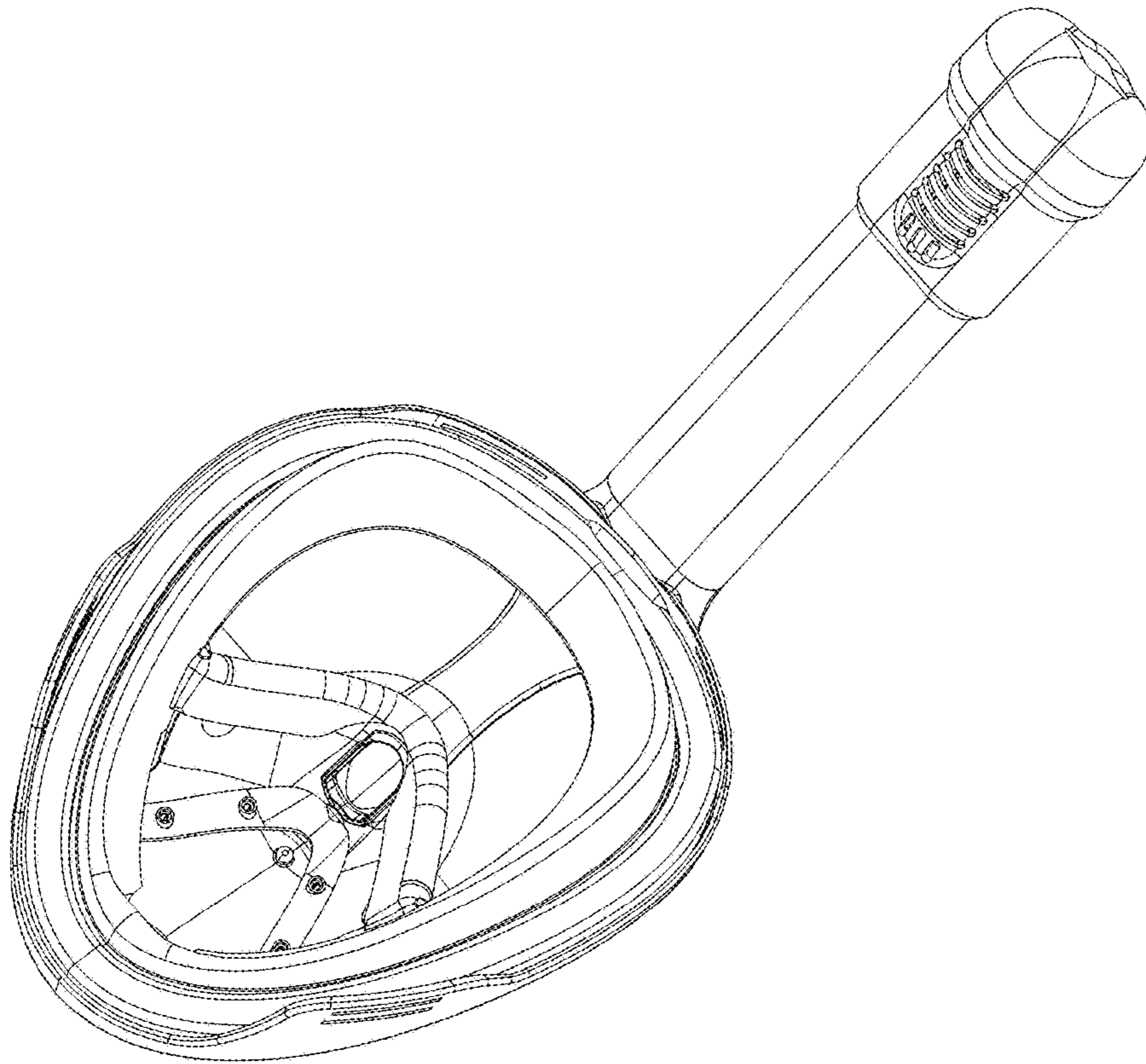


FIG. 8