



US00D839407S

(12) **United States Design Patent**  
**Rudolph et al.**

(10) **Patent No.:** **US D839,407 S**  
(45) **Date of Patent:** **\*\* Jan. 29, 2019**

(54) **INHALER**  
(71) Applicant: **MicroDose Therapeutx, Inc.**,  
Monmouth Junction, NJ (US)  
(72) Inventors: **James Rudolph**, Nashua, NH (US);  
**Erin Lemieux**, Mont Vernon, NH (US);  
**Morgan Carlson**, Nashua, NH (US)

7,631,643 B2 \* 12/2009 Morrison ..... A61M 15/0085  
128/200.14  
D752,205 S \* 3/2016 Genord ..... D24/110  
D752,206 S \* 3/2016 Genord ..... D24/110  
D752,207 S \* 3/2016 Genord ..... D24/110  
D753,285 S \* 4/2016 Genord ..... D24/110  
2006/0000469 A1 \* 1/2006 Tseng ..... A61M 15/00  
128/200.14

(Continued)

(73) Assignee: **MICRODOSE THERAPEUTIX, INC.**, Monmouth Junction, NJ (US)

**OTHER PUBLICATIONS**

Design U.S. Appl. No. 29/541,228, by James Rudolph et al., filed Oct. 1, 2015.

(Continued)

(\*\*) Term: **15 Years**

(21) Appl. No.: **29/541,227**

(22) Filed: **Oct. 1, 2015**

(51) **LOC (11) Cl.** ..... **29-02**

(52) **U.S. Cl.**  
USPC ..... **D24/110**

(58) **Field of Classification Search**  
USPC .... D24/107, 108, 110, 110.5, 111, 113, 127,  
D24/164; D27/162-165, 167, 169-170  
CPC ..... A61M 15/00; A61M 15/0065; A61M  
15/0091; A61M 15/0071; A61M 15/0026;  
A61M 11/00; A61M 11/02; A61M 11/04;  
A61M 15/0001; A61M 15/0068  
See application file for complete search history.

(56) **References Cited**

**U.S. PATENT DOCUMENTS**

5,392,768 A \* 2/1995 Johansson ..... A61M 15/00  
128/200.14  
D363,775 S \* 10/1995 Hobbs ..... D24/110  
5,469,750 A \* 11/1995 Lloyd ..... A61M 15/00  
73/1.34  
D441,071 S \* 4/2001 Attolini ..... D24/110  
6,283,118 B1 \* 9/2001 Lu ..... A61M 11/005  
128/200.16  
D579,545 S \* 10/2008 Birath ..... D24/110  
D585,977 S \* 2/2009 Brown ..... D24/110

*Primary Examiner* — Eric L Goodman

*Assistant Examiner* — Lilyana Bekic

(74) *Attorney, Agent, or Firm* — Morgan, Lewis & Bockius LLP

(57) **CLAIM**

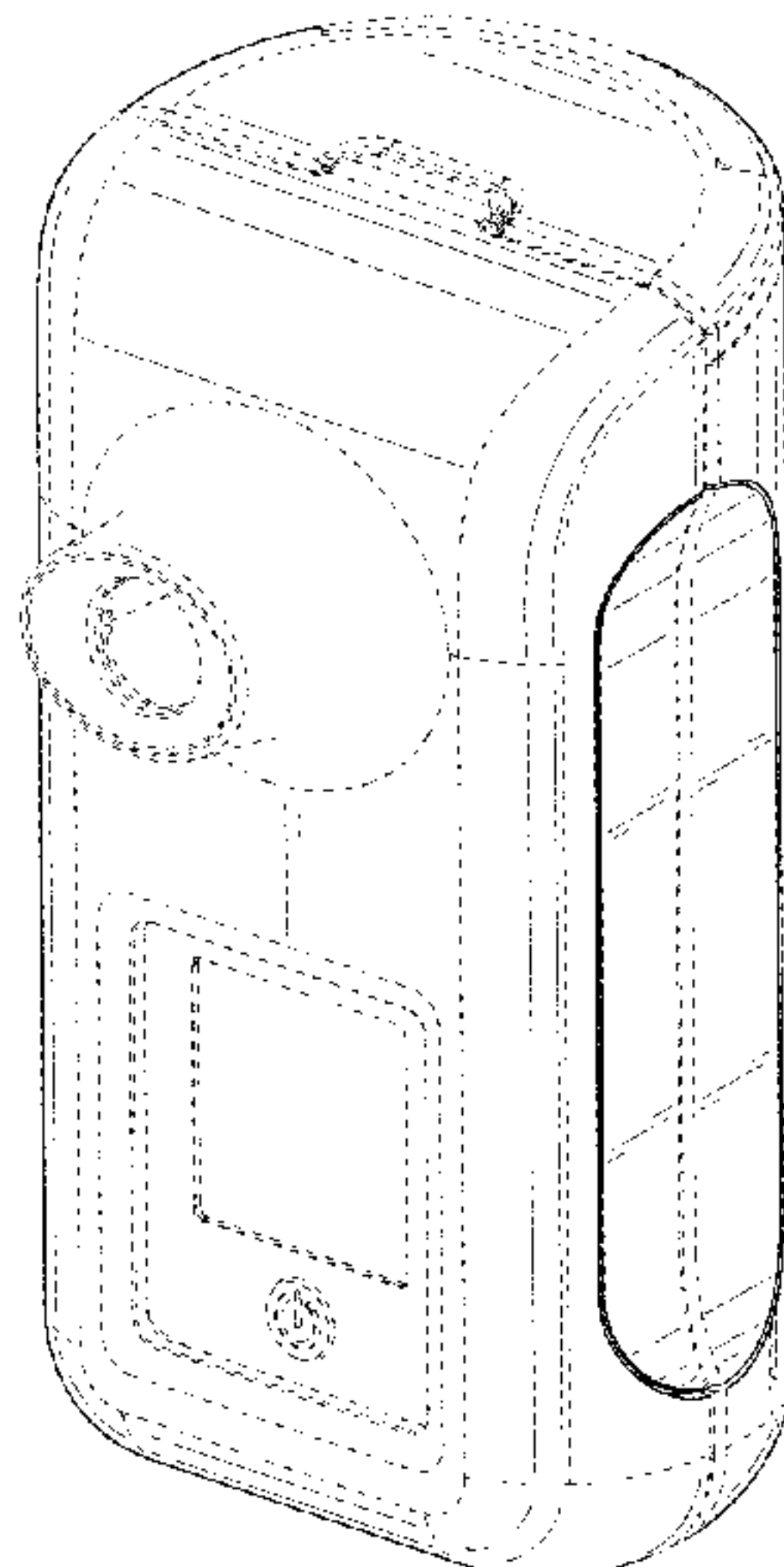
The ornamental design for an inhaler, as shown and described.

**DESCRIPTION**

FIG. 1 is a front elevation view of an inhaler;  
FIG. 2 is a right elevation view thereof;  
FIG. 3 is a rear elevation view thereof;  
FIG. 4 is a left elevation view thereof;  
FIG. 5 is a bottom plan view thereof;  
FIG. 6 is a top plan view thereof;  
FIG. 7 is a perspective view from the top, front and left corner thereof;  
FIG. 8 is a perspective view from the bottom, front and right corner thereof; and,  
FIG. 9 is a perspective view from the top, front and right corner thereof.

The broken lines in the drawings illustrate portions of the inhaler that form no part of the claimed design.

**1 Claim, 9 Drawing Sheets**



(56)

**References Cited**

U.S. PATENT DOCUMENTS

2006/0137682 A1\* 6/2006 Tseng ..... A62B 9/04  
128/200.14  
2006/0243274 A1\* 11/2006 Lieberman ..... A61M 11/005  
128/200.14  
2012/0160241 A1\* 6/2012 Oliva ..... A61M 15/0028  
128/203.15  
2016/0367767 A1\* 12/2016 Cashman ..... A61M 11/005

OTHER PUBLICATIONS

Design U.S. Appl. No. 29/541,229, by James Rudolph et al., filed  
Oct. 1, 2015.

\* cited by examiner

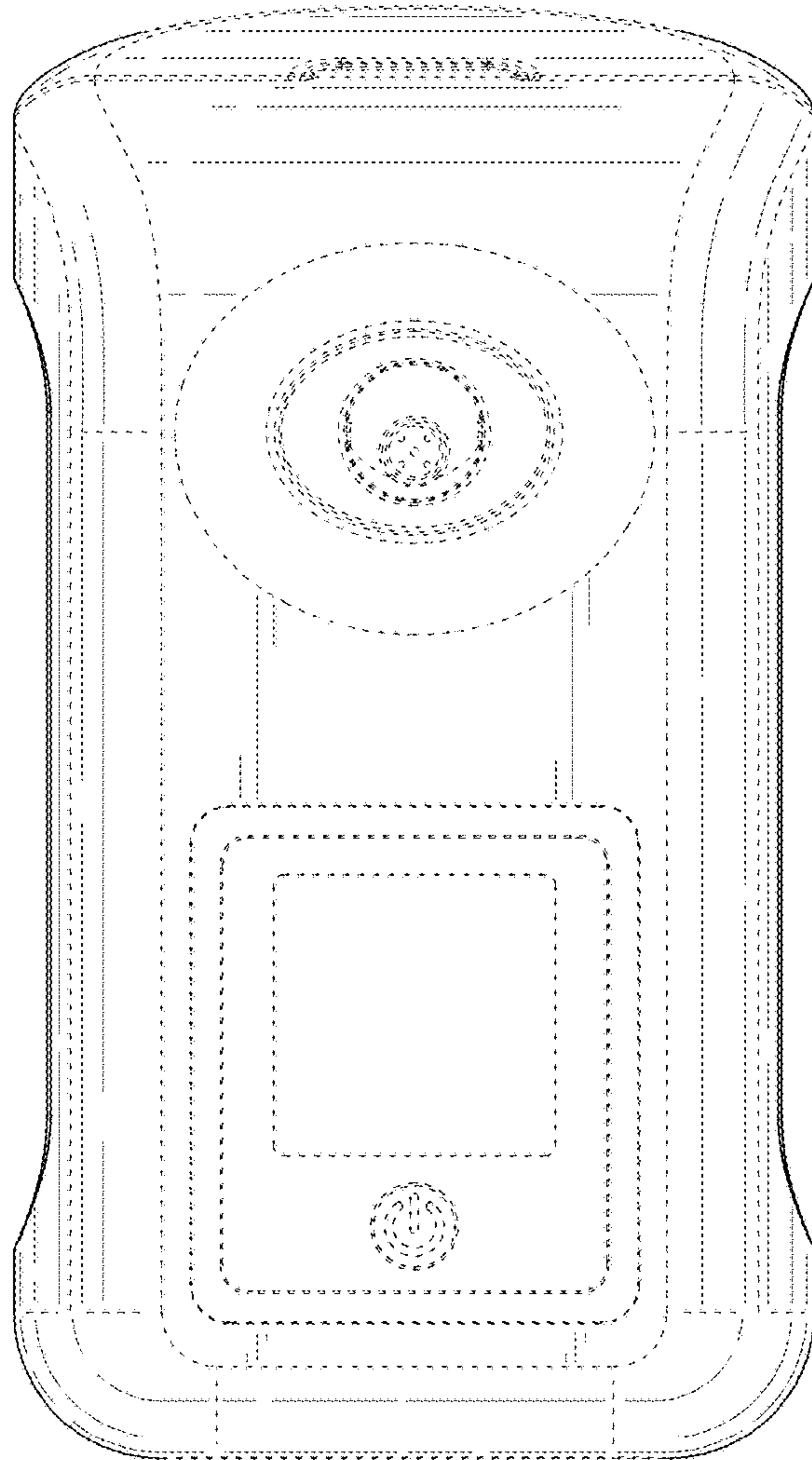


FIG. 1

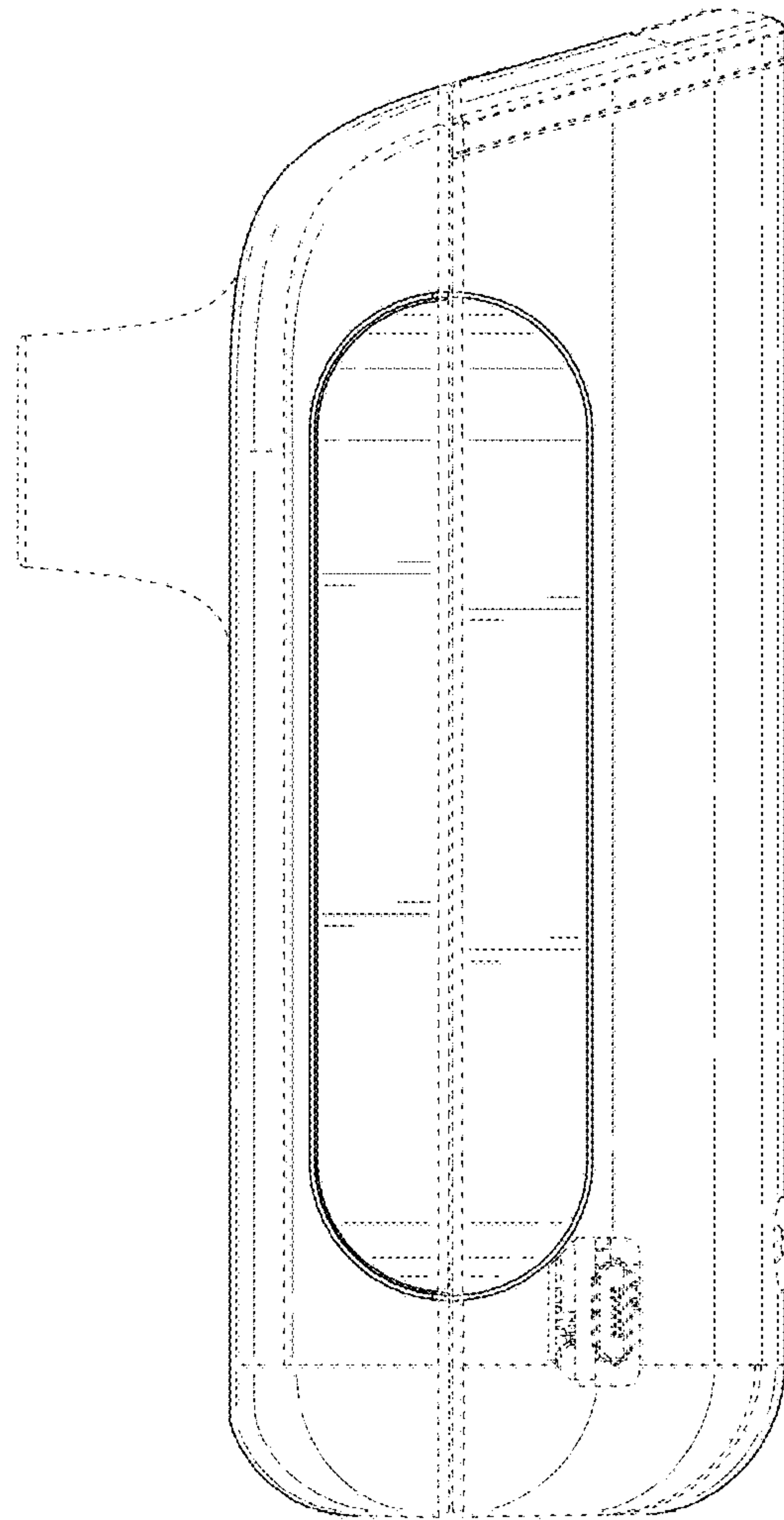


FIG. 2

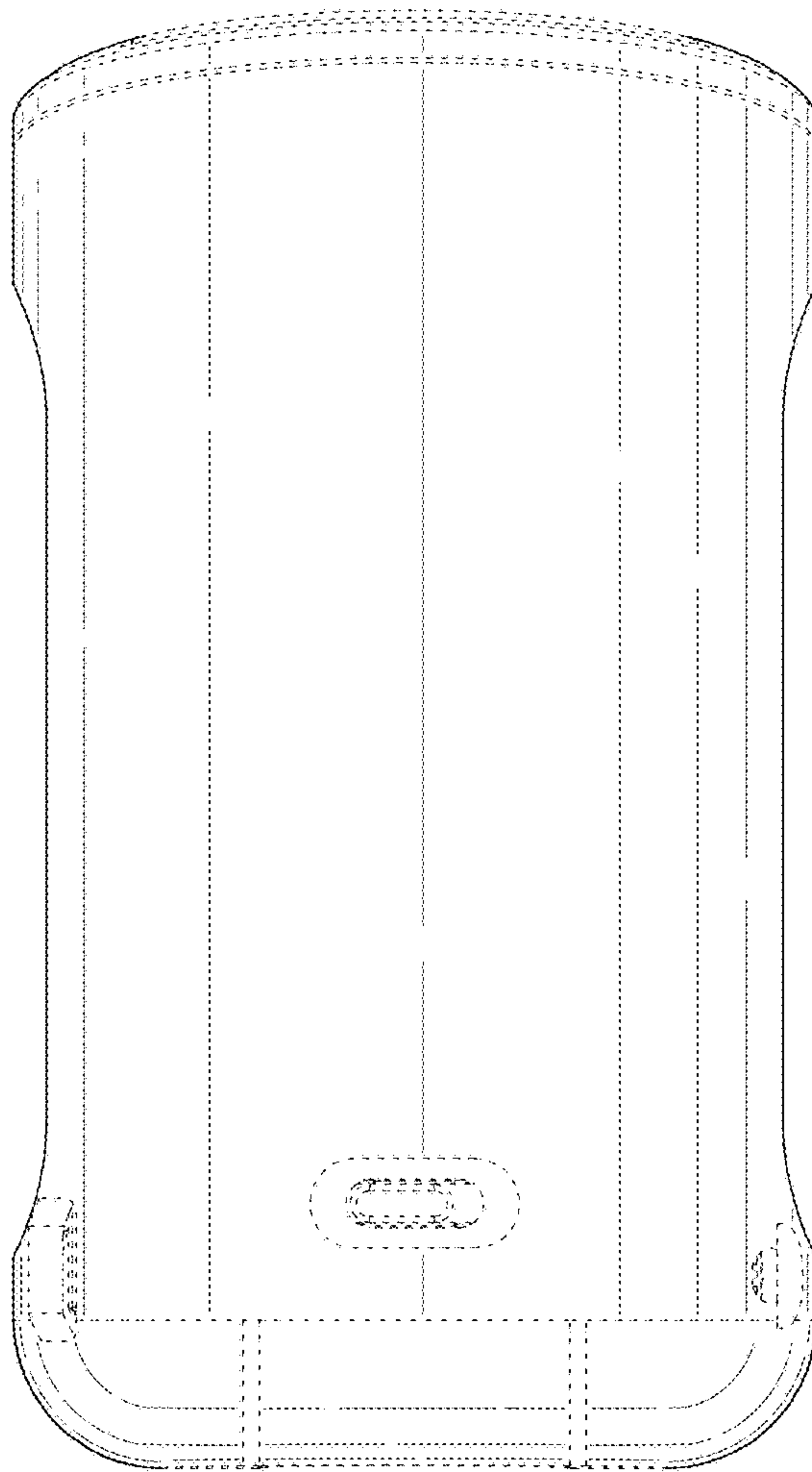


FIG. 3

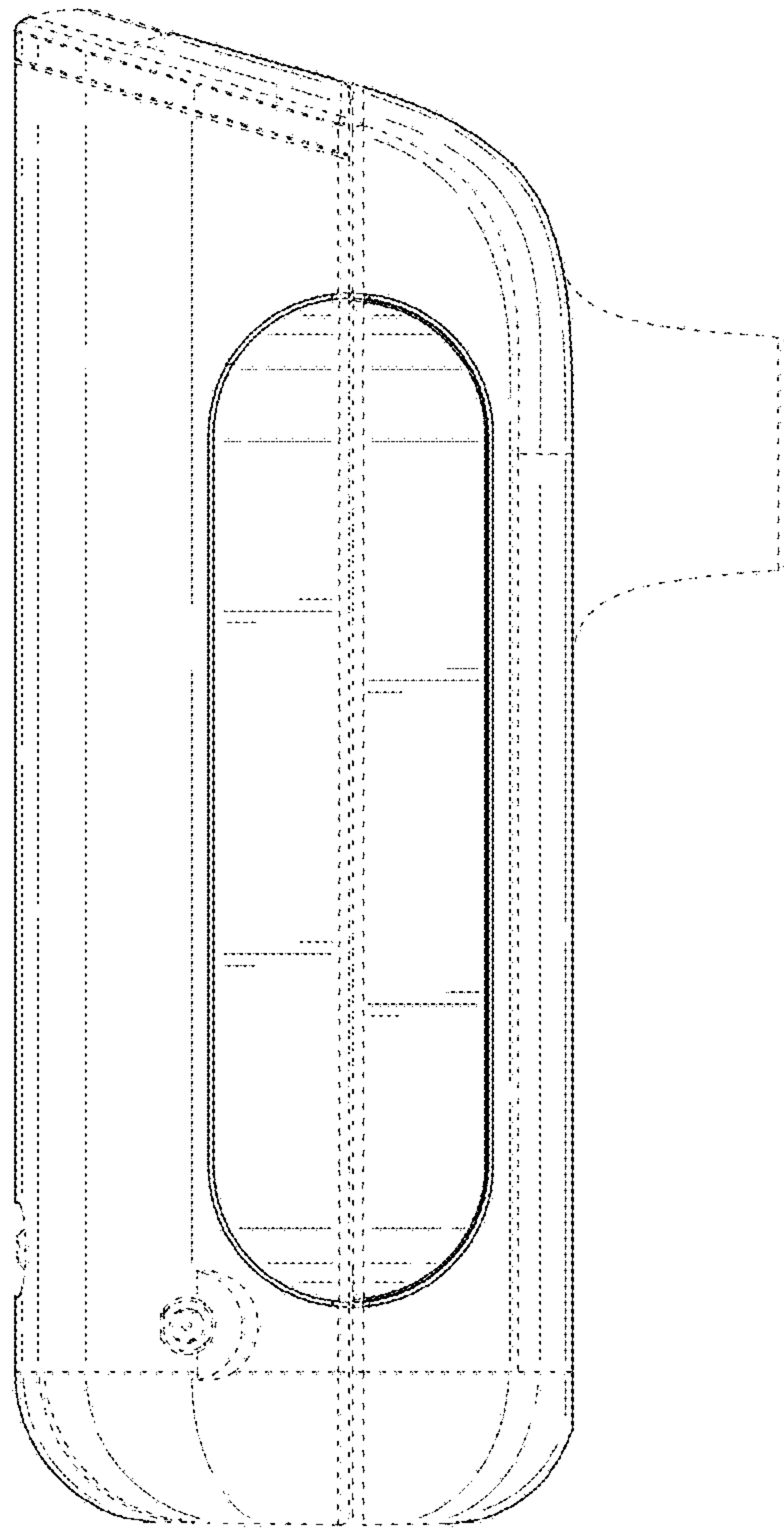


FIG. 4



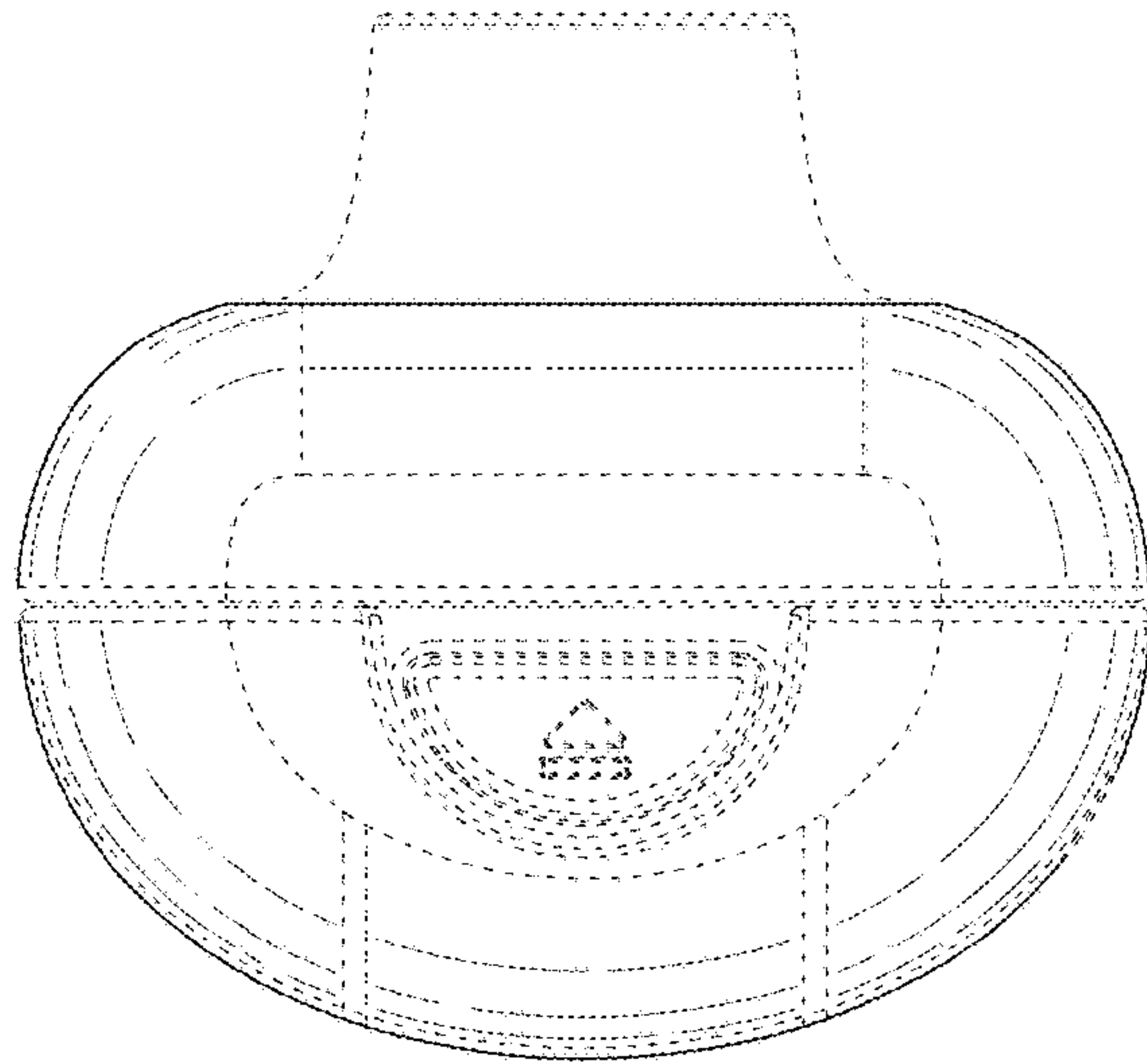


FIG. 5

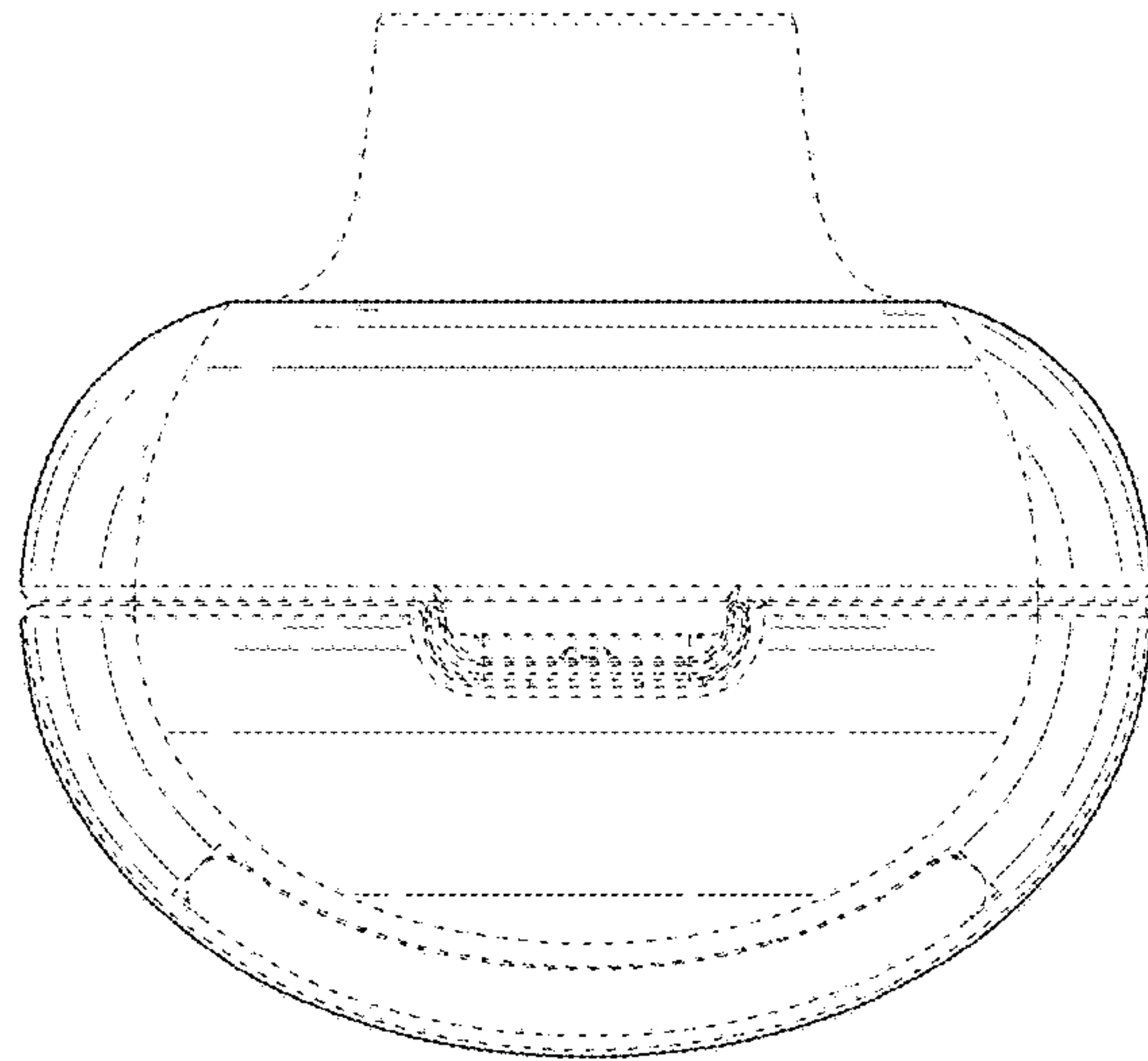


FIG. 6



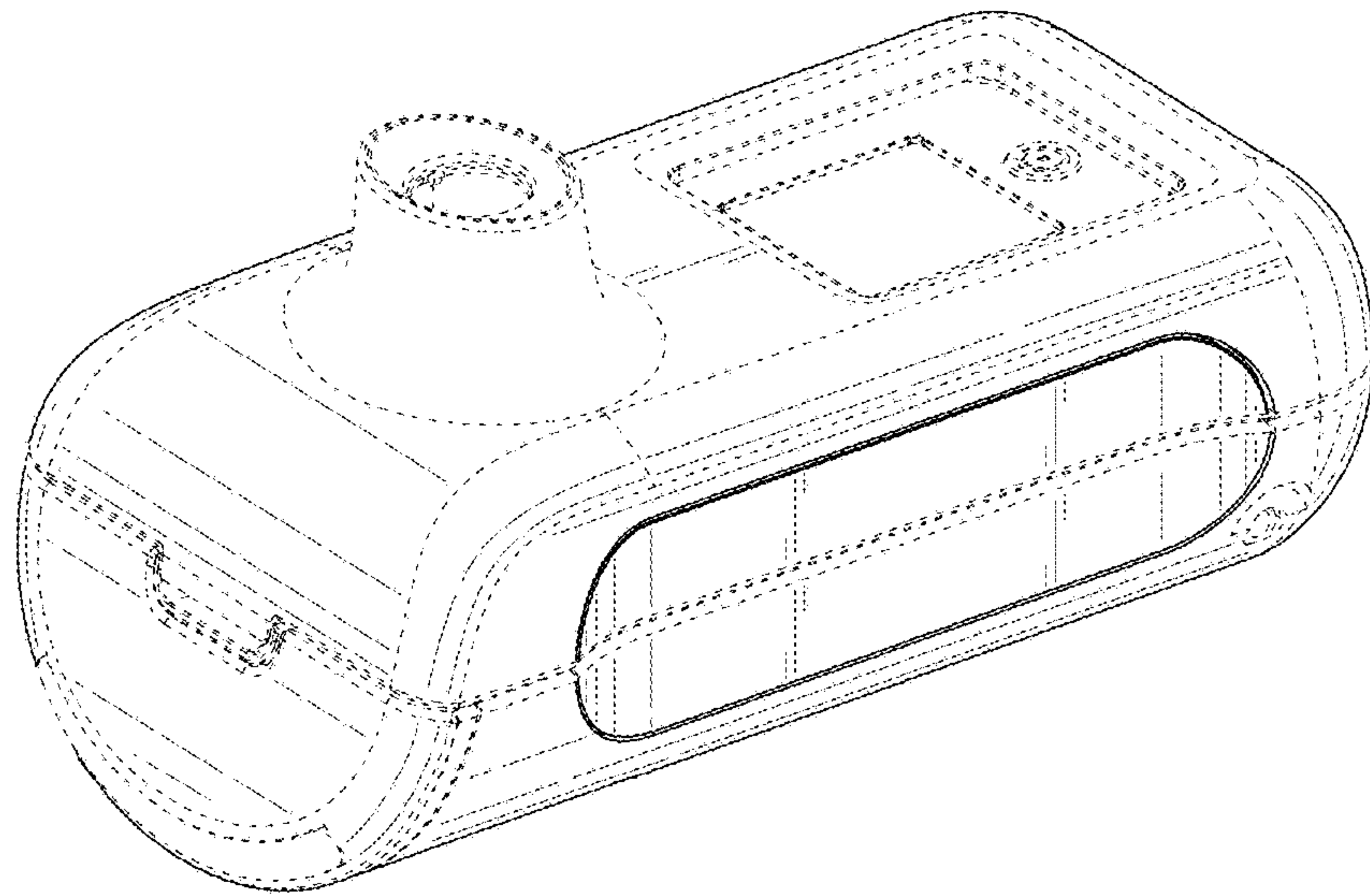


FIG. 7

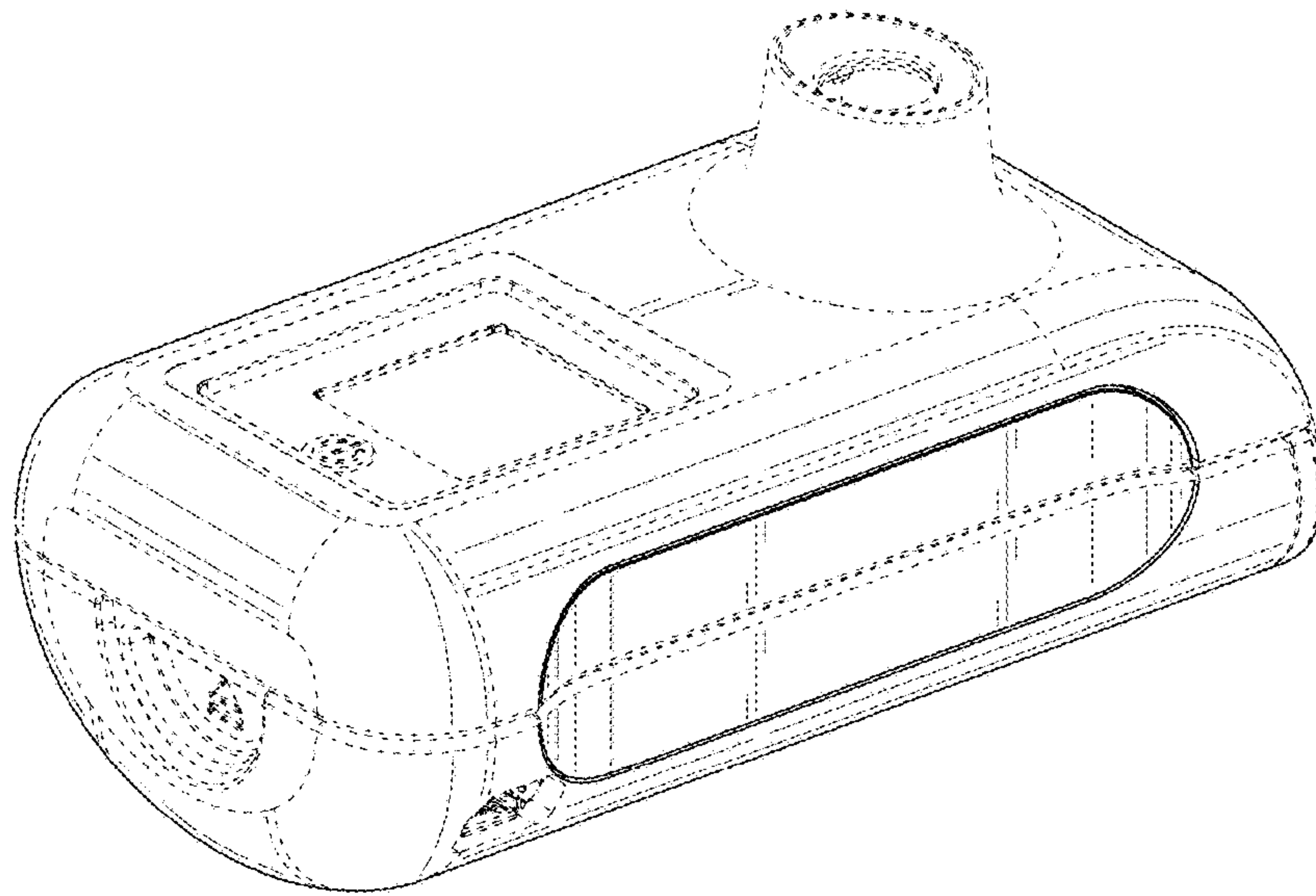


FIG. 8

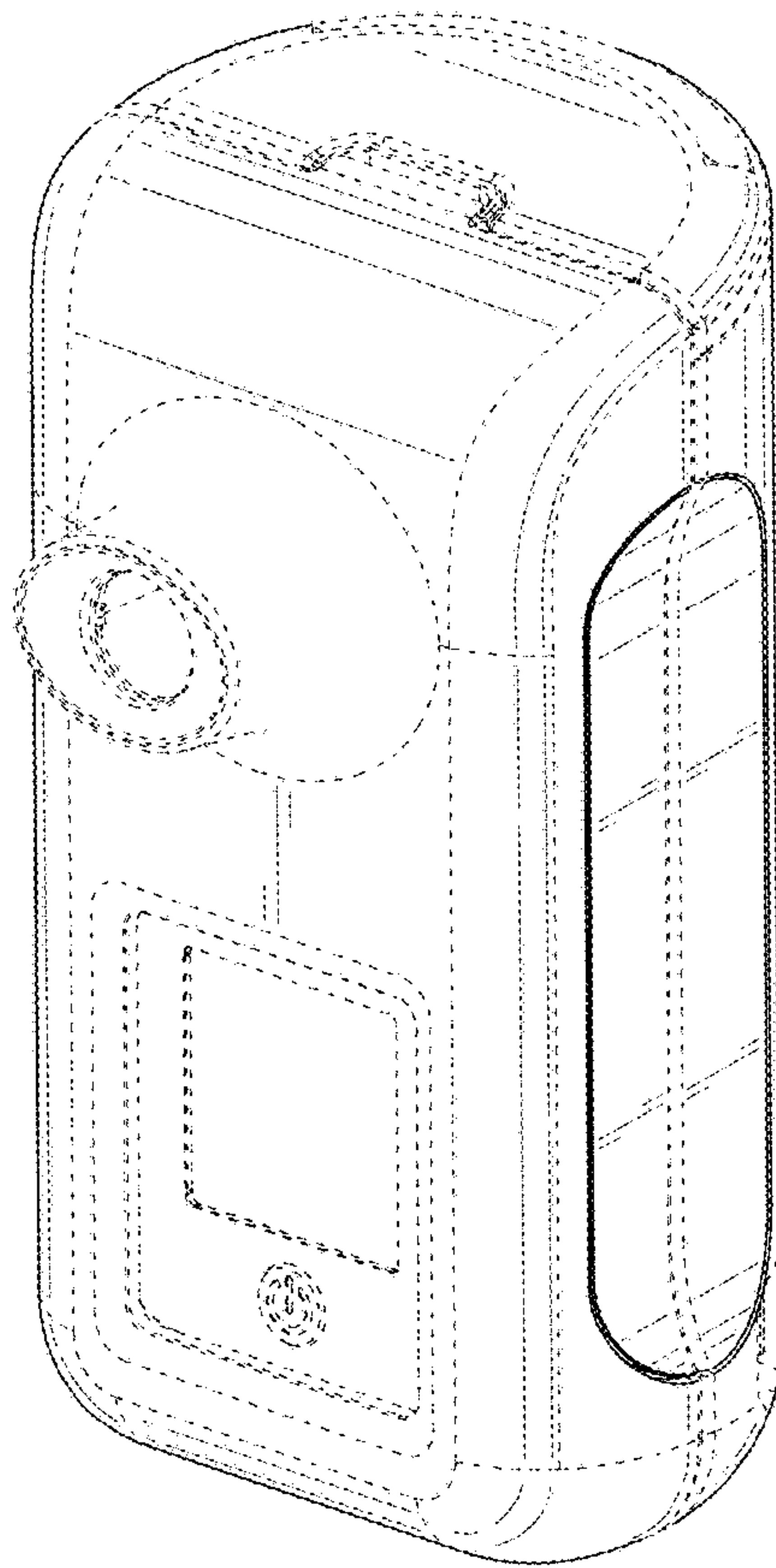


FIG. 9