



US00D839406S

(12) **United States Design Patent**
Baer et al.

(10) **Patent No.:** **US D839,406 S**
(45) **Date of Patent:** **** Jan. 29, 2019**

(54) **CONNECTING ELEMENT FOR FAN BLADES**

(71) Applicant: **ebm-papst Mulfingen GmbH & Co. KG, Mulfingen (DE)**

(72) Inventors: **Martin Baer, Mulfingen (DE); Erhard Gruber, Satteldorf (DE); Oliver Haaf, Bad Mergentheim (DE); Alexander Konzal, Igersheim (DE)**

(73) Assignee: **ebm-papst Mulfingen GmbH & Co. KG, Mulfingen (DE)**

(**) Term: **15 Years**

(21) Appl. No.: **29/600,238**

(22) Filed: **Apr. 11, 2017**

(30) **Foreign Application Priority Data**

Mar. 23, 2017 (EP) 003818608

(51) **LOC (11) Cl.** **23-03**

(52) **U.S. Cl.**
USPC **D23/411**

(58) **Field of Classification Search**
USPC D23/370–384, 385, 386–387, 411–414
CPC F04D 25/088; F04D 29/329; F04D 29/34;
F04D 29/388; F21V 33/0096
See application file for complete search history.

(56) **References Cited**

U.S. PATENT DOCUMENTS

4,342,073	A *	7/1982	Ranten	F04D 25/088
					362/147
D344,130	S *	2/1994	Craig	D19/930
D399,949	S *	10/1998	Chou	D23/413
D448,074	S *	9/2001	Bogazzi	D23/411
D504,505	S *	4/2005	Burns	D23/411

D532,106	S *	11/2006	Curtin	D23/413
8,029,243	B2 *	10/2011	Wang	F04D 29/34
					416/210 R
D728,090	S *	4/2015	Haaf	D23/370
D733,861	S *	7/2015	Haaf	D23/370
D779,048	S *	2/2017	Hoss	D23/370
9,856,888	B2 *	1/2018	Witt	F04D 29/388
D814,008	S *	3/2018	Munz	D23/370
2003/0228224	A1 *	12/2003	Lee	F04D 29/34
					416/210 R
2008/0107529	A1 *	5/2008	Friedman	F04D 25/088
					416/210 R
2010/0003140	A1 *	1/2010	Best	F04D 29/329
					416/204 R
2010/0284820	A1 *	11/2010	Wang	F04D 25/088
					416/244 R
2010/0284821	A1 *	11/2010	Wang	F04D 25/088
					416/244 R
2011/0116946	A1 *	5/2011	Webb	F04D 25/088
					417/410.1
2013/0022479	A1 *	1/2013	Haaf	F04D 25/082
					417/369

(Continued)

Primary Examiner — Cathron C Brooks

Assistant Examiner — Sharon S Oum

(74) *Attorney, Agent, or Firm* — Harness, Dickey & Pierce, P.L.C.

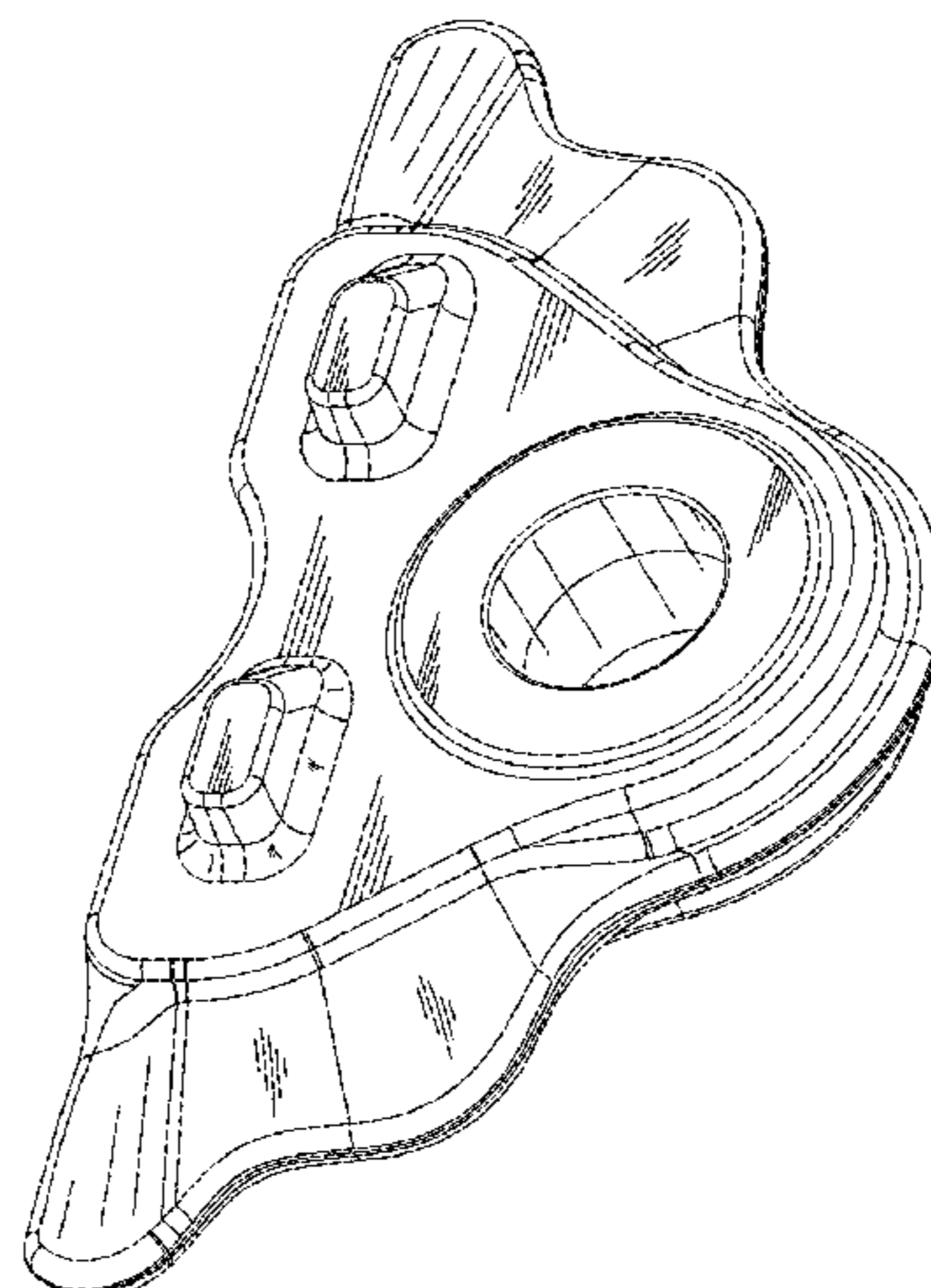
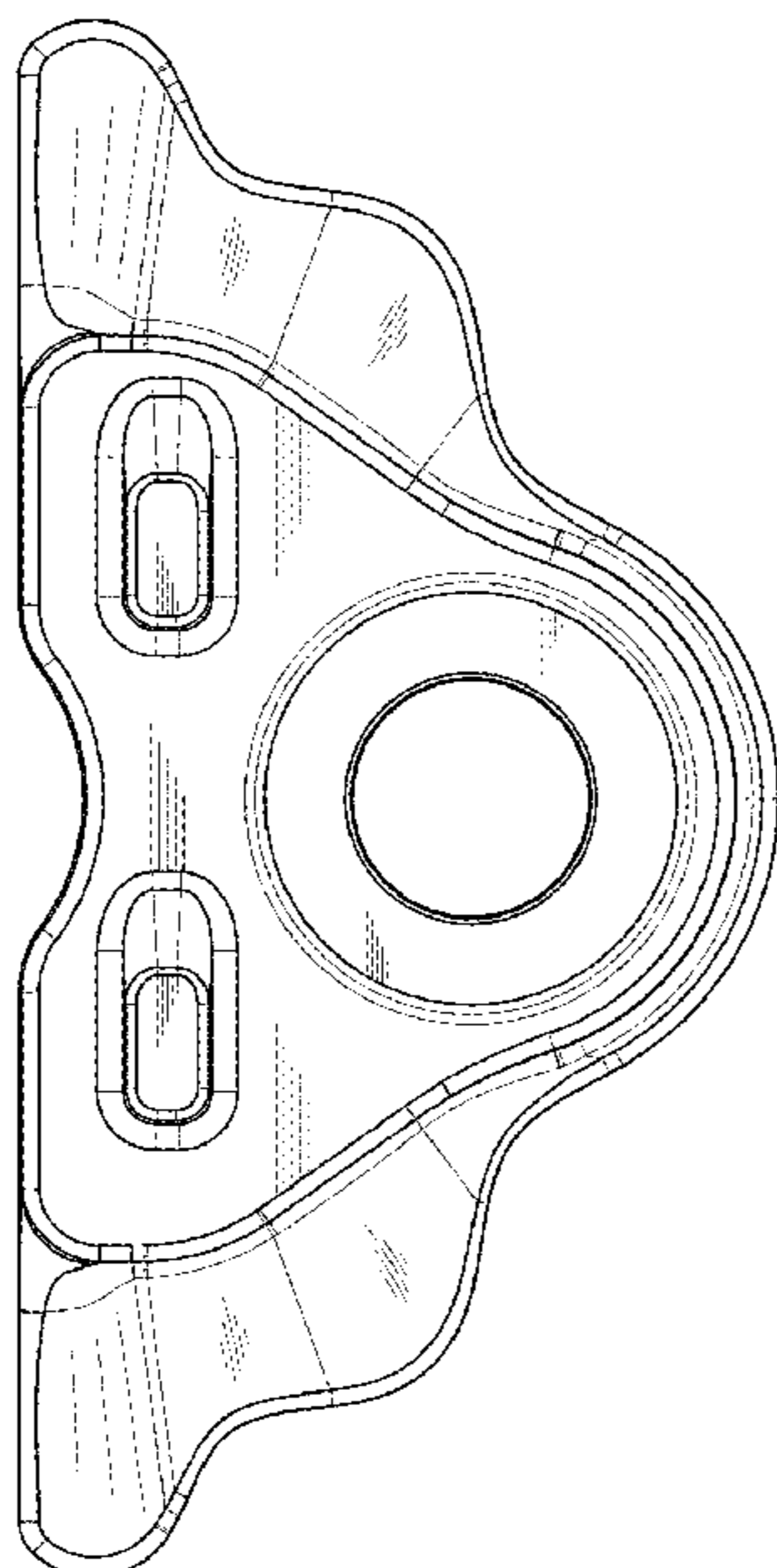
(57) **CLAIM**

The ornamental design for a connecting element for fan blades, as shown and described.

DESCRIPTION

FIG. 1 is a front view of a connecting element for fan blades. FIG. 2 is a top view thereof; FIG. 3 is a rear view thereof. FIG. 4 is a left side view thereof. FIG. 5 is a top perspective view thereof; and, FIG. 6 is a bottom perspective view thereof.

1 Claim, 6 Drawing Sheets



(56)

References Cited

U.S. PATENT DOCUMENTS

2015/0308437 A1* 10/2015 Ning F04D 29/601
417/423.7
2017/0122335 A1* 5/2017 Kinzer F04D 29/34
2017/0175773 A1* 6/2017 McKee F04D 29/644

* cited by examiner

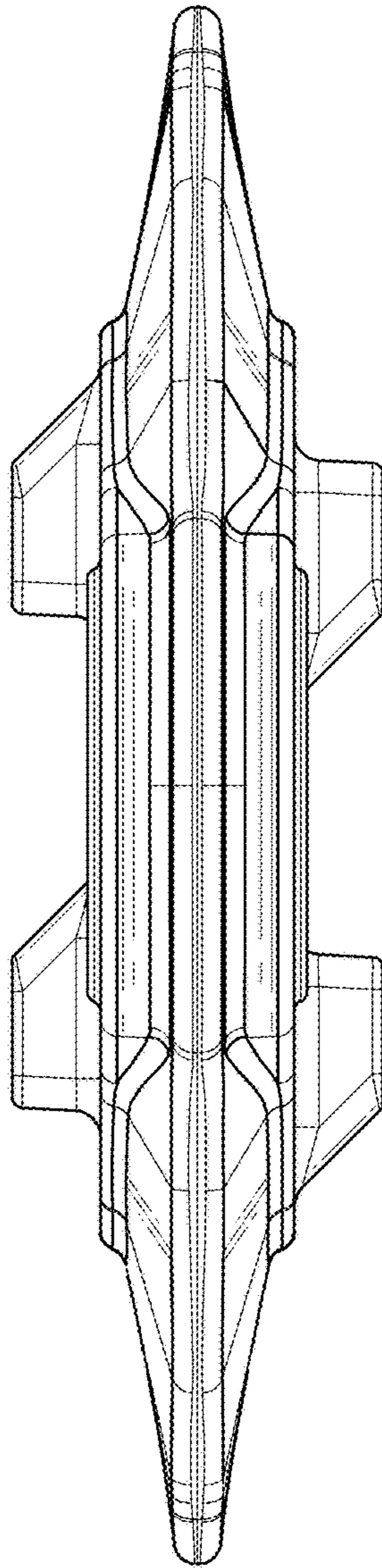


FIG. 1

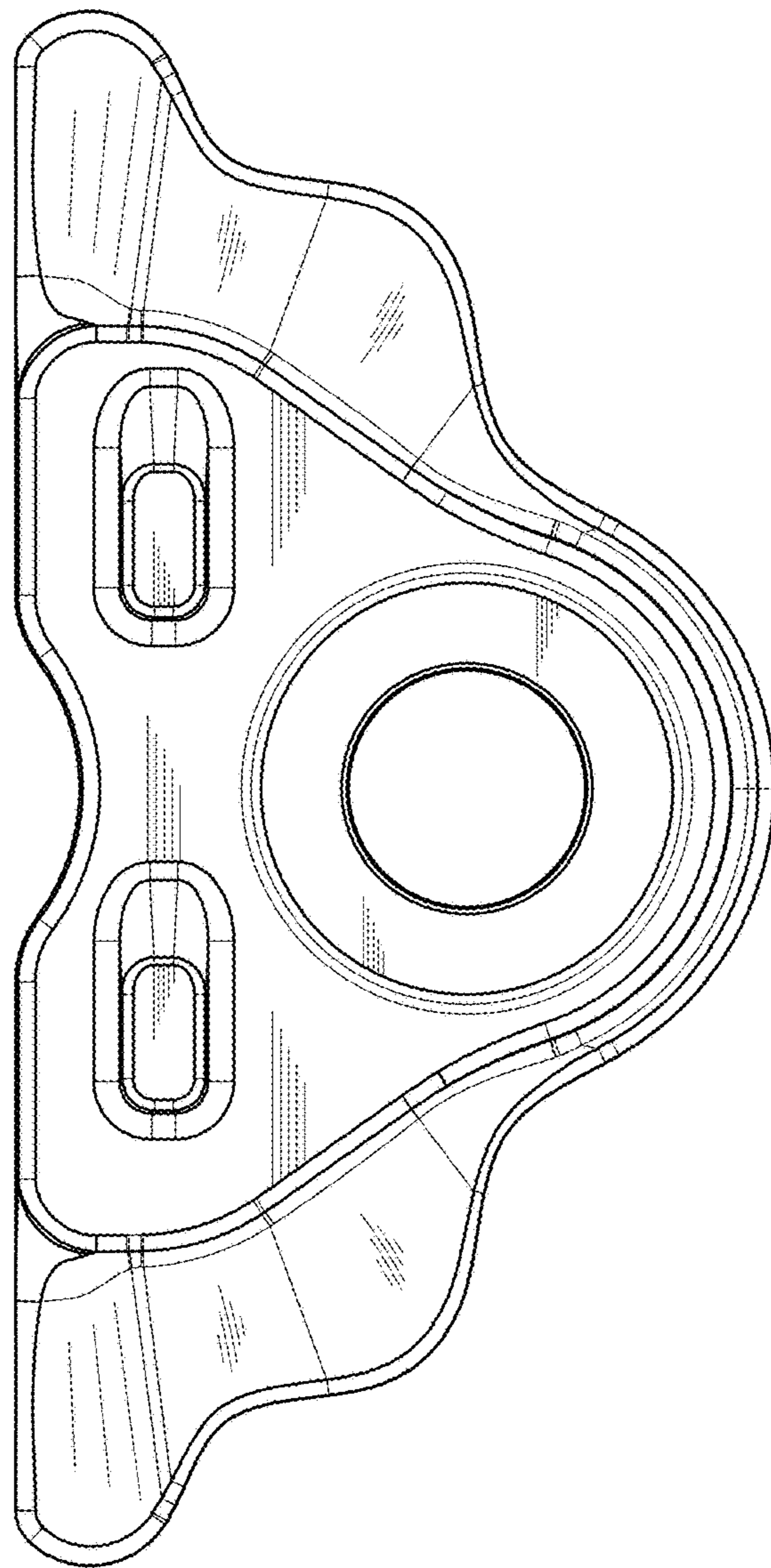


FIG. 2

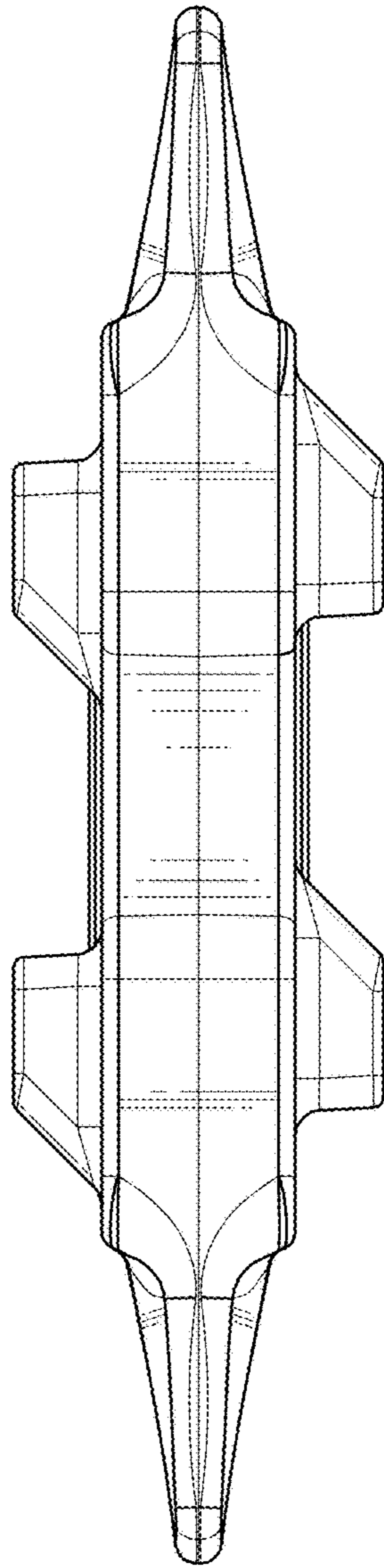


FIG. 3

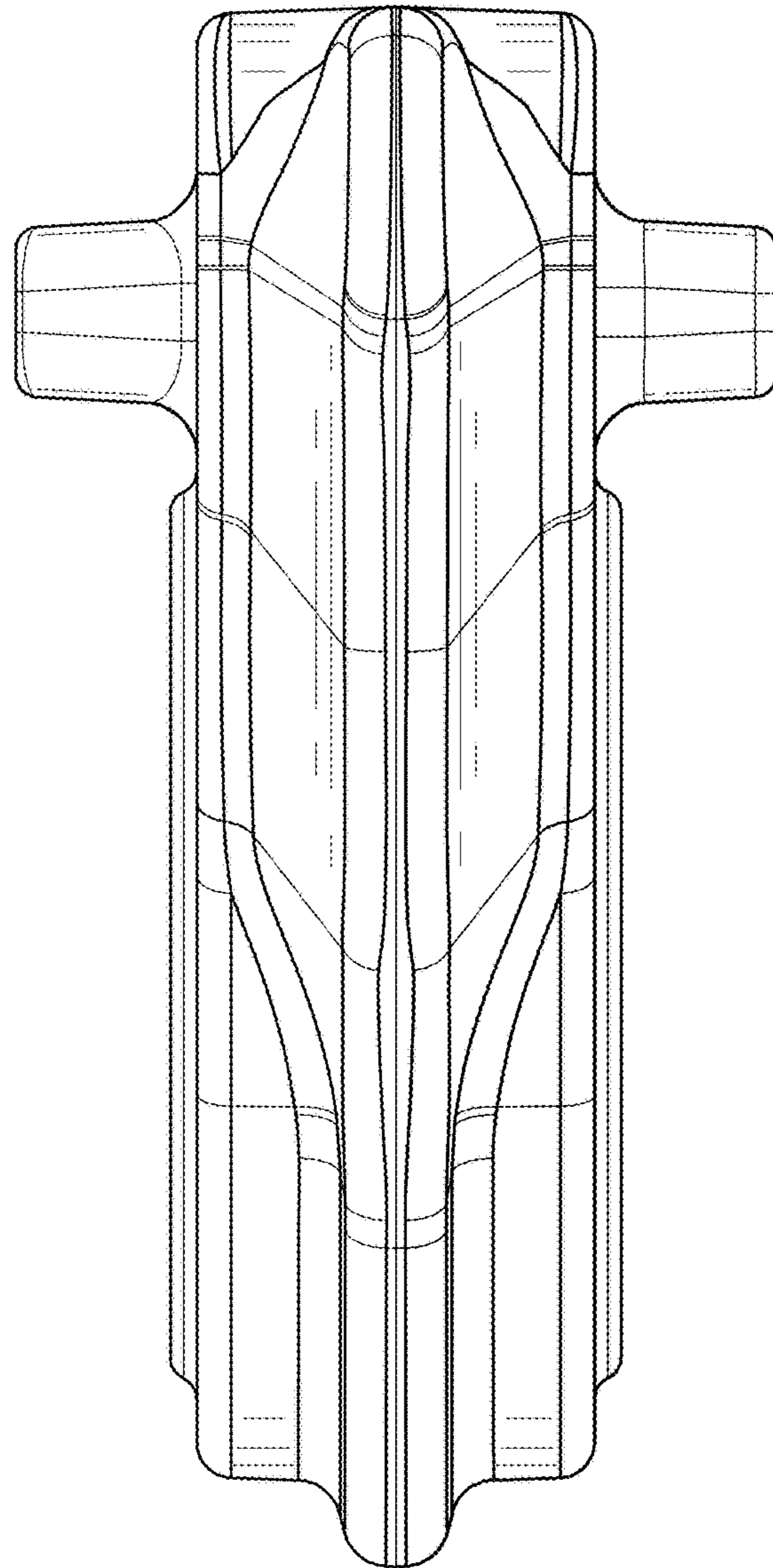


FIG. 4

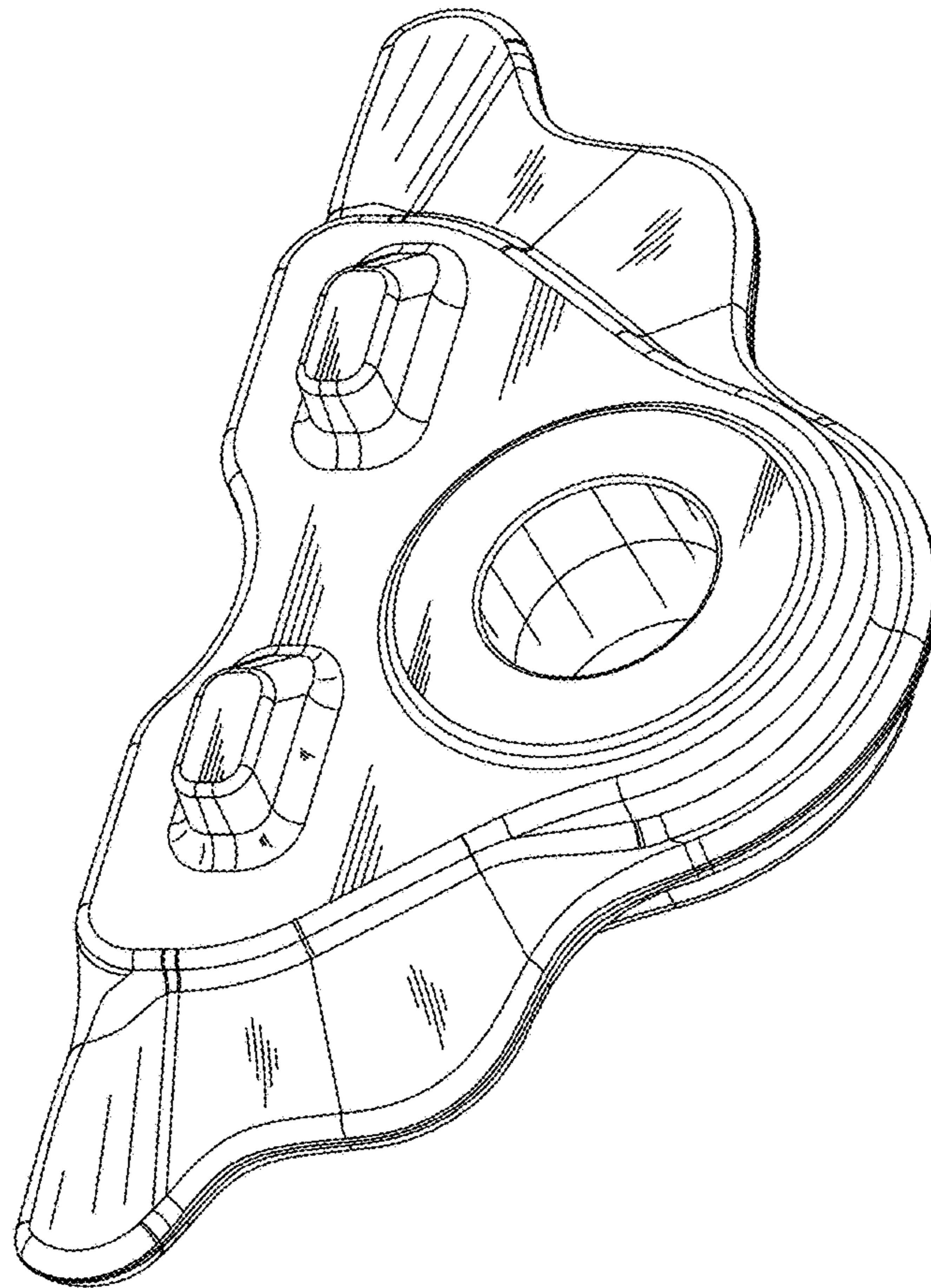


FIG. 5

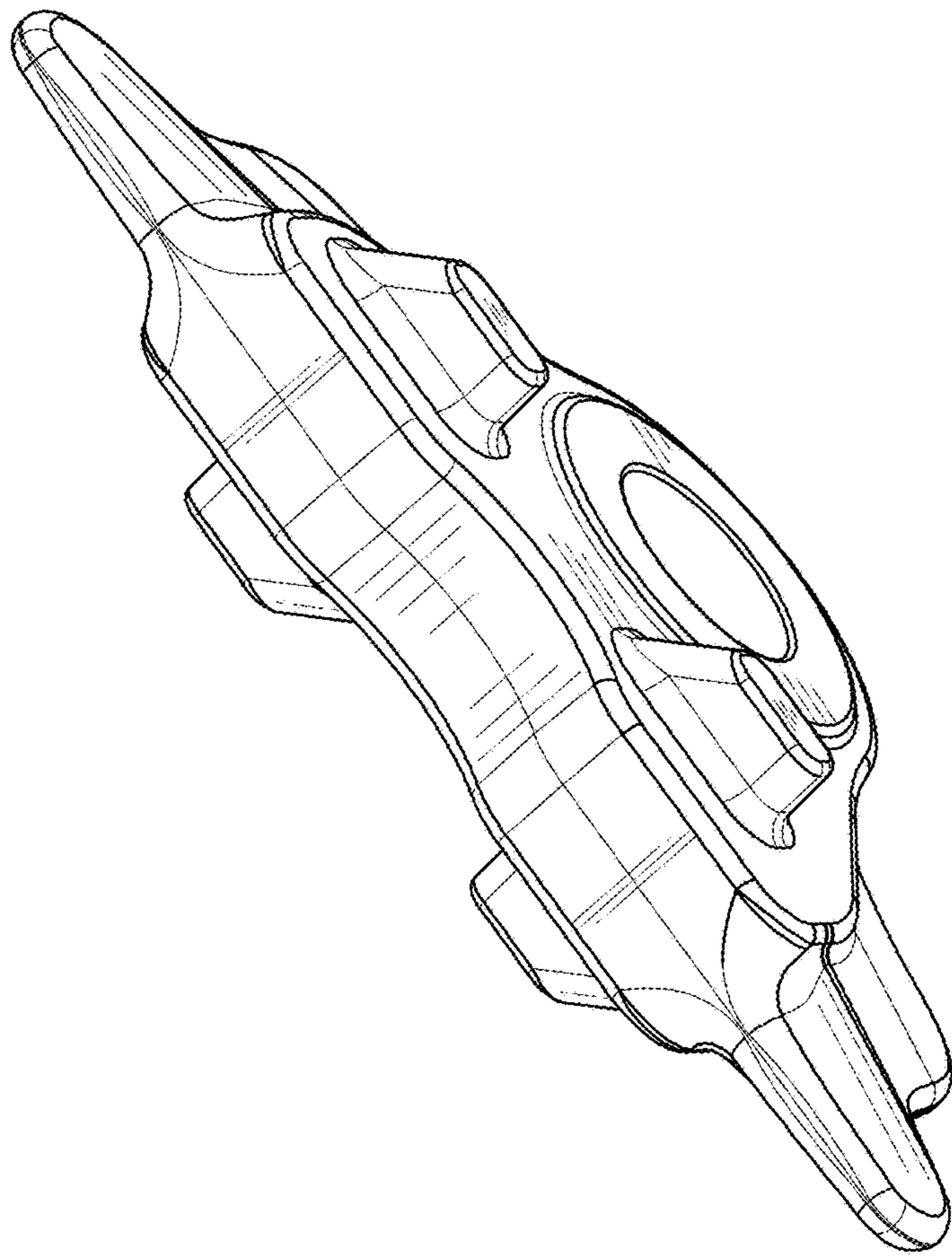


FIG. 6