



US00D839403S

(12) **United States Design Patent** (10) **Patent No.:** **US D839,403 S**
Shono et al. (45) **Date of Patent:** **** Jan. 29, 2019**

(54) **WATER HEATER**

OTHER PUBLICATIONS

(71) Applicant: **NORITZ CORPORATION**, Hyogo (JP)

Noritz Website, NRCB199, Publication date unknown, [site visited Jul. 25, 2018], Available on the Internet URL <http://www.noritz.com/products/nrcb199/>.*

(72) Inventors: **Ryoichi Shono**, Akashi (JP); **Toshihiro Ishino**, Kobe (JP)

(Continued)

(73) Assignee: **NORITZ CORPORATION**, Hyogo (JP)

Primary Examiner — Karen S Acker

Assistant Examiner — Steven B Reinholdt, Jr.

(**) Term: **15 Years**

(74) *Attorney, Agent, or Firm* — Studebaker & Brackett PC

(21) Appl. No.: **29/636,222**

(22) Filed: **Feb. 7, 2018**

(57) **CLAIM**

The ornamental design for a water heater, as shown and described.

Related U.S. Application Data

(62) Division of application No. 29/582,823, filed on Oct. 31, 2016.

(51) **LOC (11) Cl.** **23-03**

(52) **U.S. Cl.**
USPC **D23/318**

(58) **Field of Classification Search**
USPC D23/3, 42, 314, 318, 329, 334, 335, 355,
D23/356, 358, 359, 364, 386, 387, 317,
D23/320, 321, 322, 323, 324, 328, 330,
D23/332, 337, 341, 342, 343, 347;
D13/184; D14/214, 221, 235, 240, 356,
D14/362

(Continued)

DESCRIPTION

FIG. 1 is a perspective view of a water heater showing the present design;

FIG. 2 is a front view thereof;

FIG. 3 is a rear view thereof;

FIG. 4 is a top view thereof;

FIG. 5 is a bottom view thereof;

FIG. 6 is a right side view thereof;

FIG. 7 is a left side view thereof;

FIG. 8 is a cross sectional view in which the internal mechanism is not shown for the sake of clarity, taken along line 8-8 of FIG. 2 thereof;

FIG. 9 is a cross sectional view in which the internal mechanism is not shown for the sake of clarity, taken along line 9-9 of FIG. 2 thereof; and,

FIG. 10 is a cross sectional view in which the internal mechanism is not shown for the sake of clarity, taken along line 10-10 of FIG. 2 thereof.

The broken lines and the areas within them in the drawings depict portions of the water heater that form no part of the claimed design.

(56) **References Cited**

U.S. PATENT DOCUMENTS

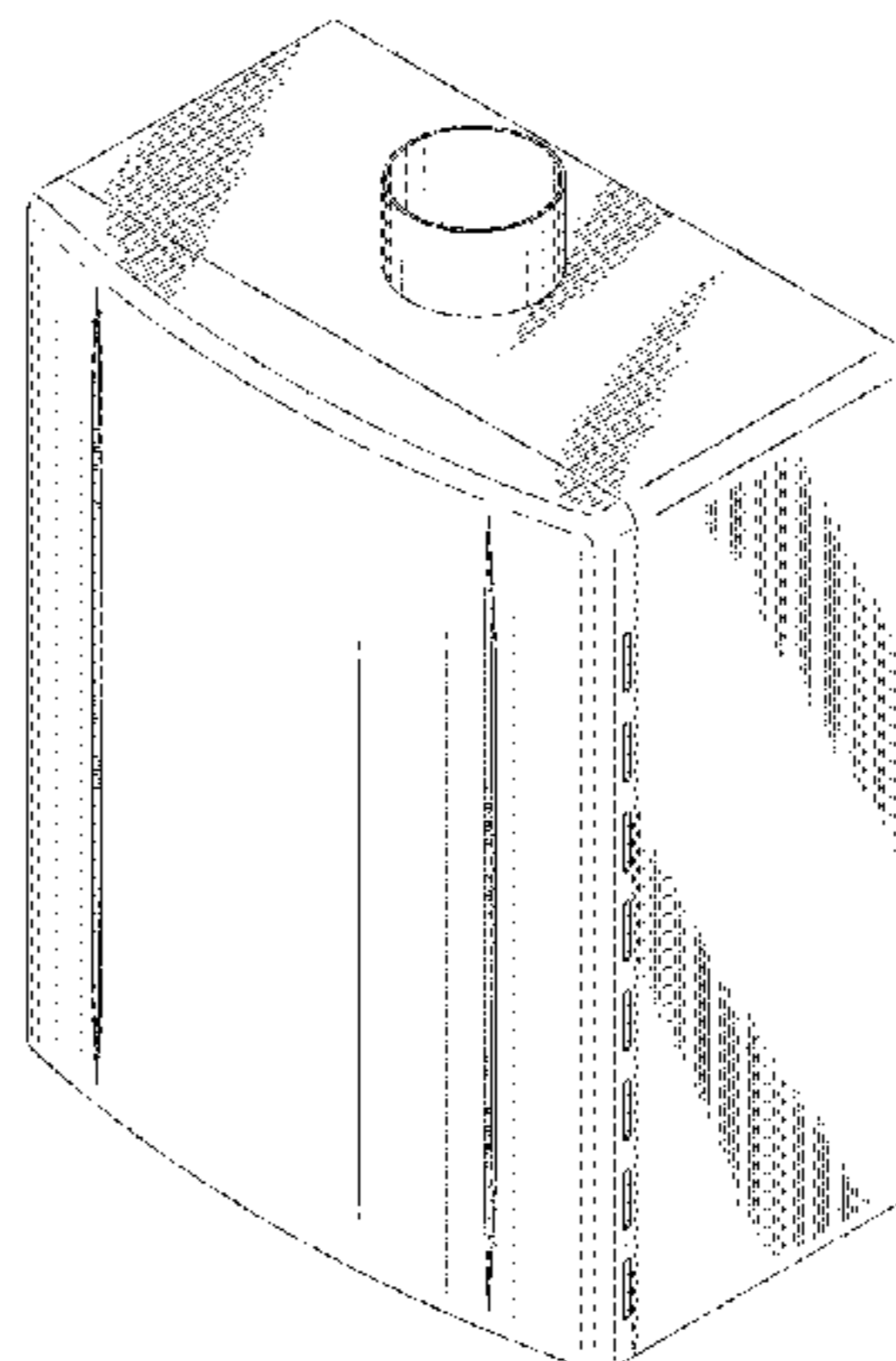
D81,225 S 5/1930 Boattenhamer
D251,386 S 3/1979 Leonard

(Continued)

FOREIGN PATENT DOCUMENTS

CA 171298 S 8/2017
CA 174783 * 8/2017
CA 174784 S 8/2017

1 Claim, 8 Drawing Sheets



- (58) **Field of Classification Search**
 CPC F24C 7/10; F24H 9/2071; F24H 9/2064;
 F24H 1/06; F24H 9/2028; F24H 9/02;
 F24H 9/128; F24H 9/2021; F24H 9/2007;
 F24H 9/0005; F24H 4/00; F24H 2/142;
 H05B 3/78
 See application file for complete search history.

(56) **References Cited**
 U.S. PATENT DOCUMENTS

D258,988 S	4/1981	Leonard
D327,814 S	7/1992	Graham et al.
5,947,272 A	9/1999	Park
D425,493 S	5/2000	Cutright et al.
D428,809 S	8/2000	Adair
D433,858 S	11/2000	Gastelum et al.
D483,451 S	12/2003	Yamamoto et al.
D483,452 S	12/2003	Yamamoto et al.
D483,453 S	12/2003	Yamamoto et al.
D483,844 S	12/2003	Yamamoto et al.
D507,733 S	7/2005	Liu
D532,498 S	11/2006	Maegawa et al.
D533,928 S	12/2006	Maegawa et al.
D545,127 S	6/2007	Fife et al.
D570,974 S	6/2008	Nanbu et al.
D570,976 S	6/2008	Nanbu et al.
D574,187 S	8/2008	Jarratt
D576,507 S	9/2008	Farnworth et al.
D604,254 S	11/2009	Lanfear et al.
D609,701 S	2/2010	Hou
D611,692 S	3/2010	Bizzo
D616,536 S	5/2010	Lee
D642,572 S	8/2011	Kujawski
D679,258 S	4/2013	Moore et al.
D679,530 S	4/2013	Gilboe et al.
D683,001 S	5/2013	Lee
D687,134 S	7/2013	Lee

D752,392 S	3/2016	Maas et al.	
D769,429 S	10/2016	Buettner et al.	
D773,020 S	11/2016	Buettner et al.	
D779,270 S	2/2017	Hogan	
D783,793 S	4/2017	Satou et al.	
D787,294 S	5/2017	Bast	
D790,248 S	6/2017	Clark et al.	
D802,548 S	11/2017	Schmid	
D804,623 S *	12/2017	Yamaguchi	D23/318
D809,492 S *	2/2018	Moon	D14/240
D810,259 S *	2/2018	You	D23/364
D816,063 S *	4/2018	Choi	D14/214
D817,306 S *	5/2018	Jang	D14/214
2007/0126320 A1	6/2007	Huang	
2011/0180019 A1	7/2011	Hsu	

OTHER PUBLICATIONS

An Office Action issued by the United States Patent and Trademark Office dated Dec. 19, 2017, which corresponds to U.S. Appl. No. 29/582,823 and is related to U.S. Appl. No. 29/582,824.

An Office Action issued by the U.S. Patent Office dated Aug. 23, 2018, which corresponds to U.S. Appl. No. 29/636,217 and is related to U.S. Appl. No. 29/636,222.

Noritz website, NCC300OD, Publication date unknown, [site visited Jul. 26, 2018], Available on the Internet URL <http://www.noritz.com/products/ncc300-od/>.

An Office Action issued by the U.S. Patent Office dated Sep. 5, 2018, which corresponds to U.S. Appl. No. 29/636,220 and is related to U.S. Appl. No. 29/636,222.

Noritz website, NRCB-180, Publication date unknown, [site visited Aug. 6, 2018], Available on the Internet URL <http://www.noritz.com/products/nrcb180/>.

An Office Action issued by the U.S. Patent Office dated Sep. 5, 2018, which corresponds to U.S. Appl. No. 29/582,824 and is related to U.S. Appl. No. 29/636,222.

* cited by examiner

FIG. 1

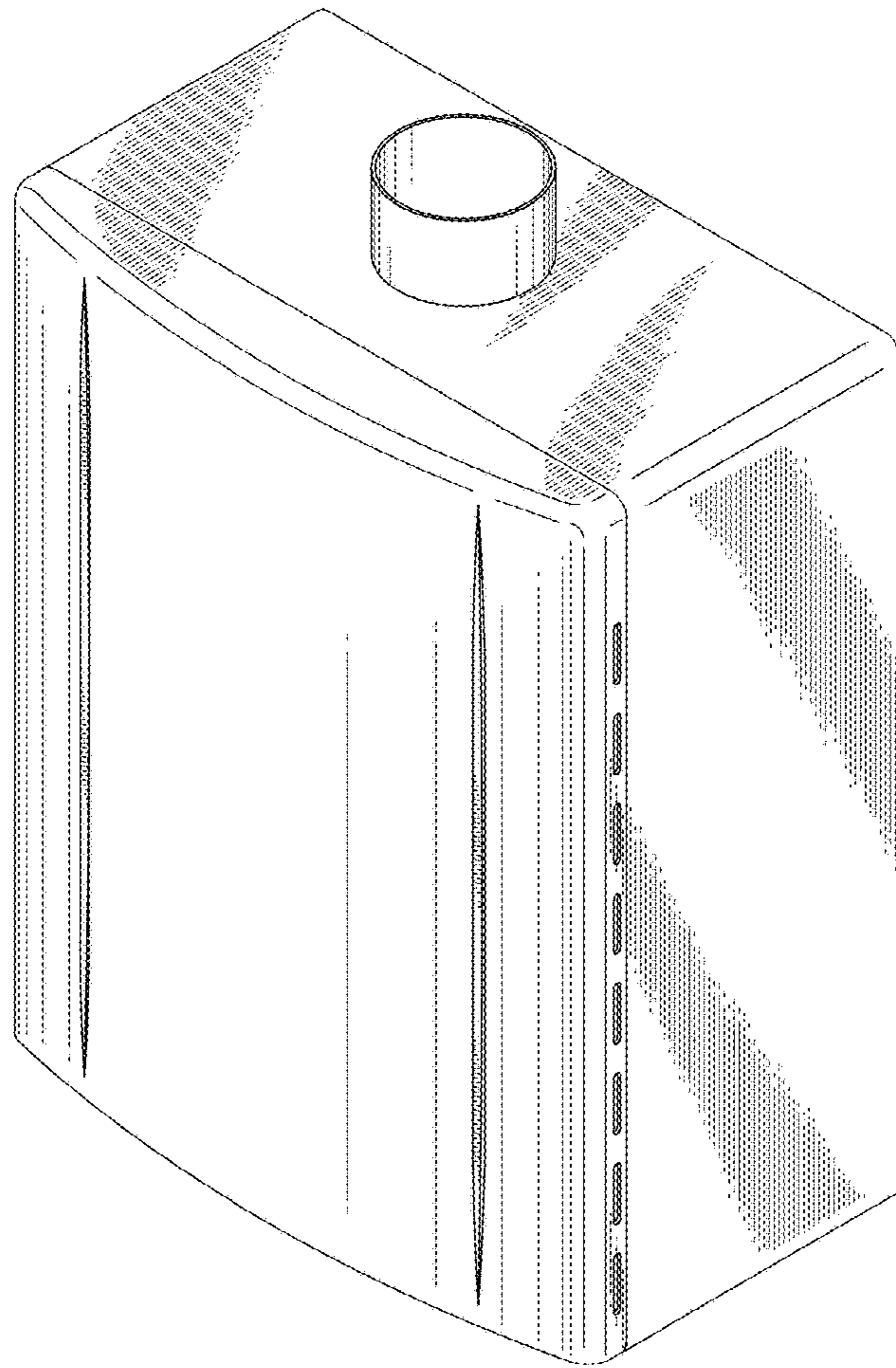


FIG.2

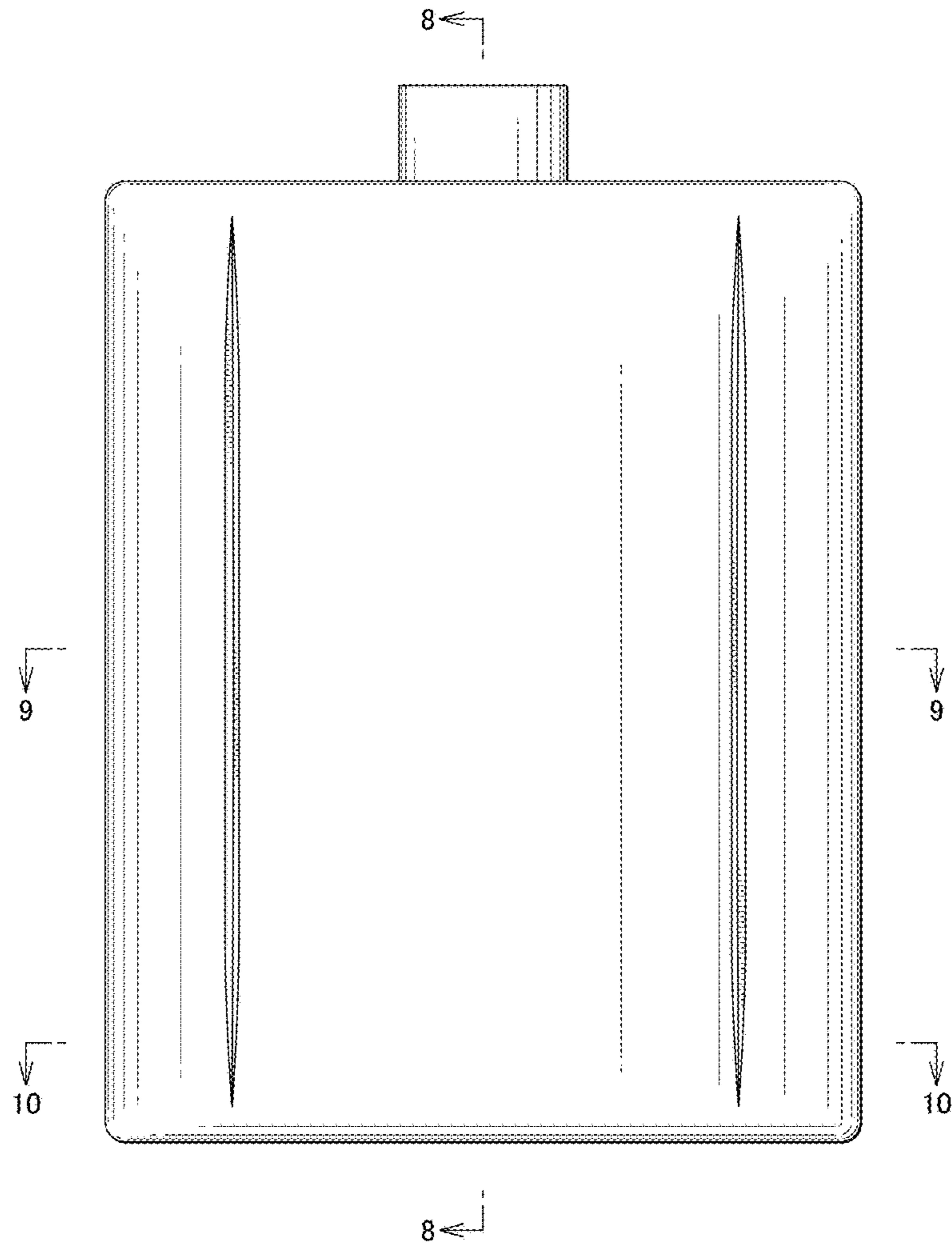


FIG.3

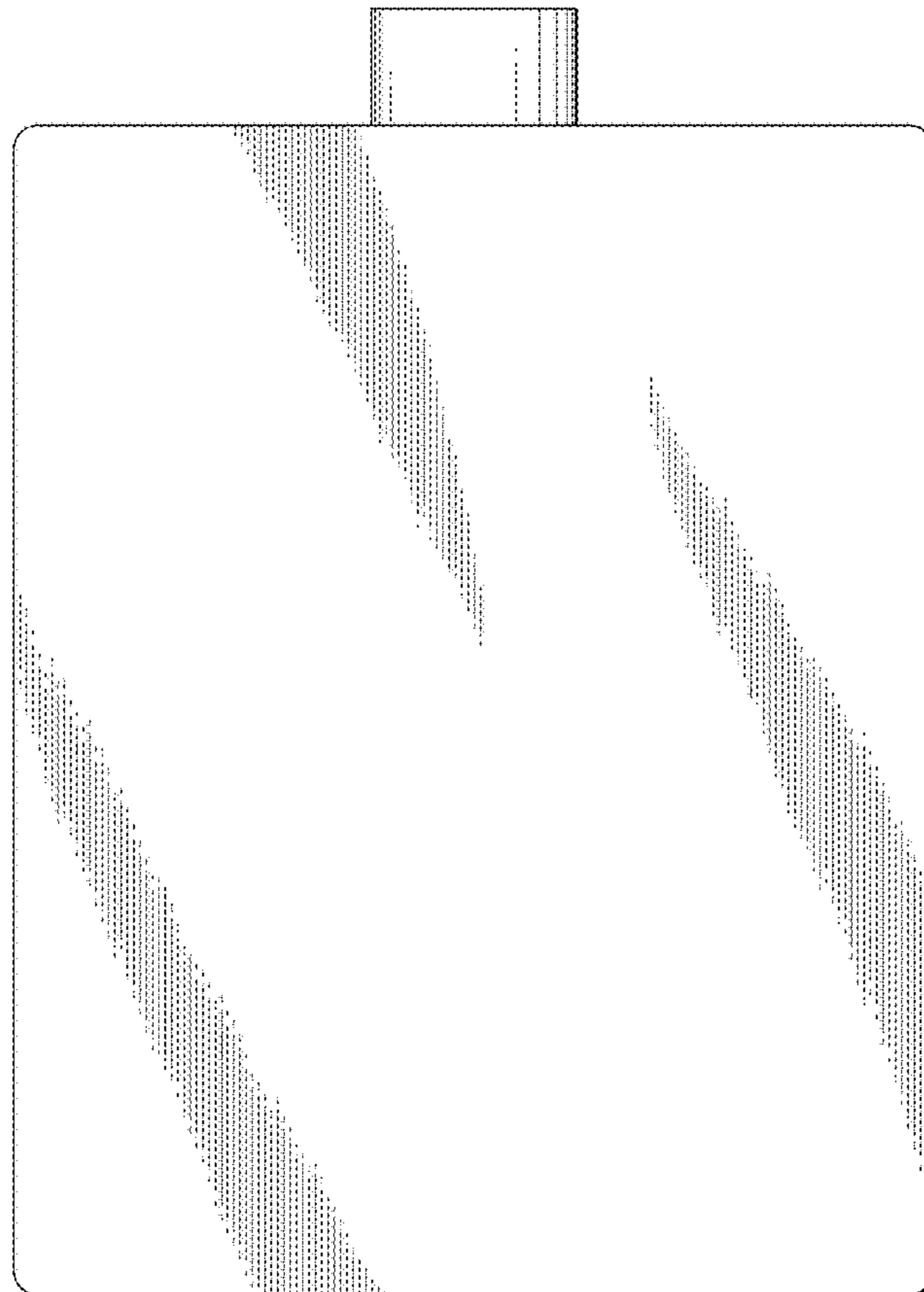


FIG.4

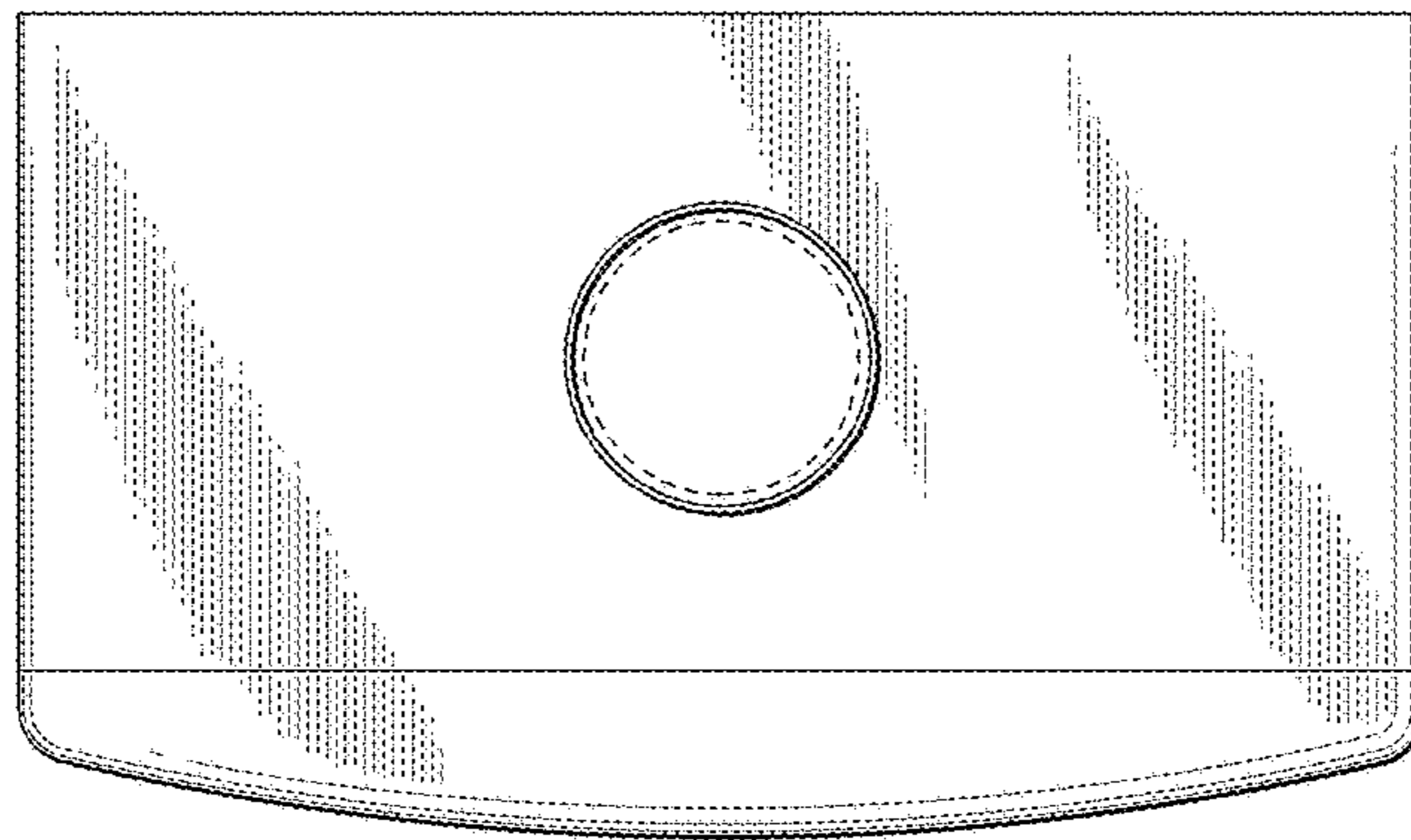


FIG.5

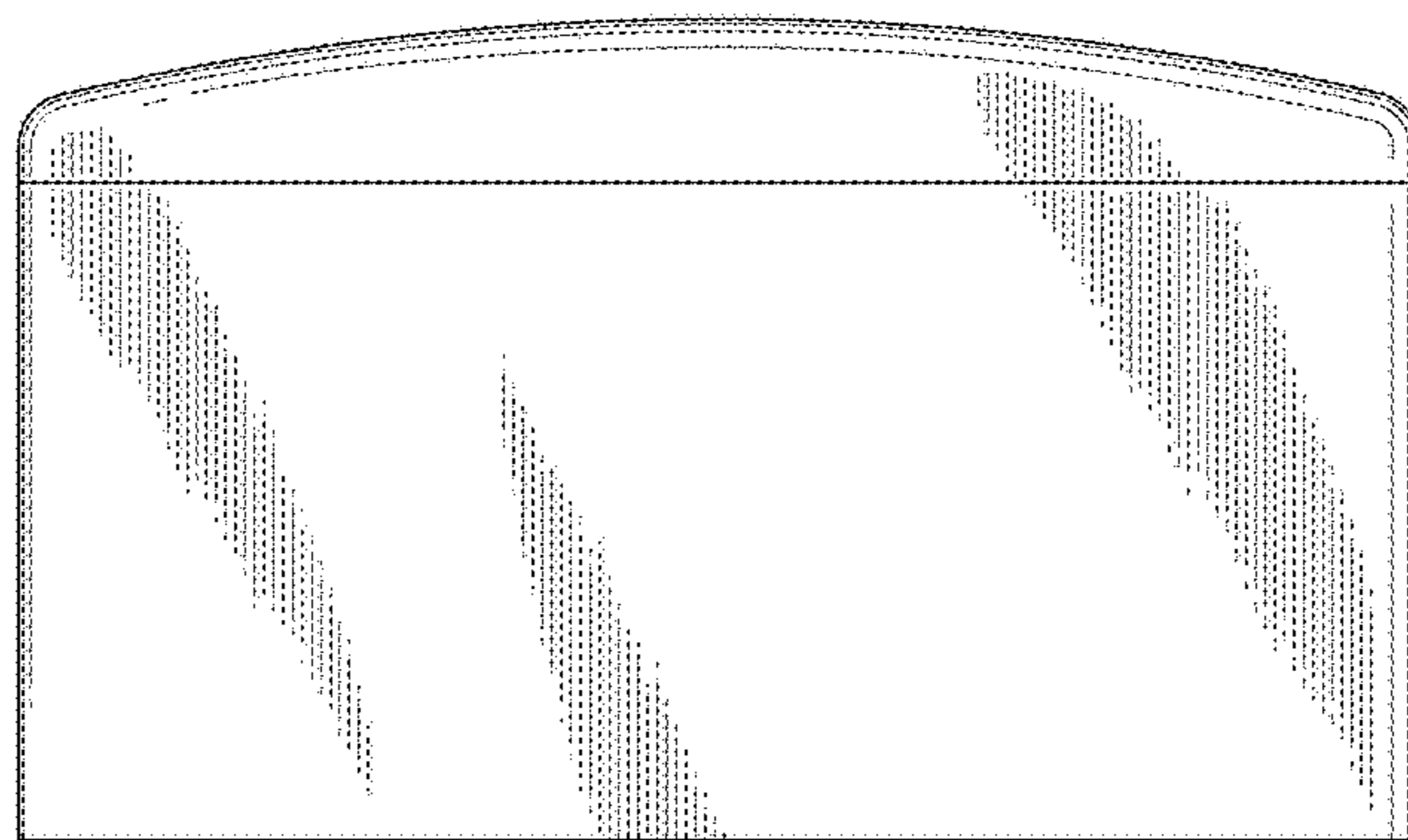


FIG.6

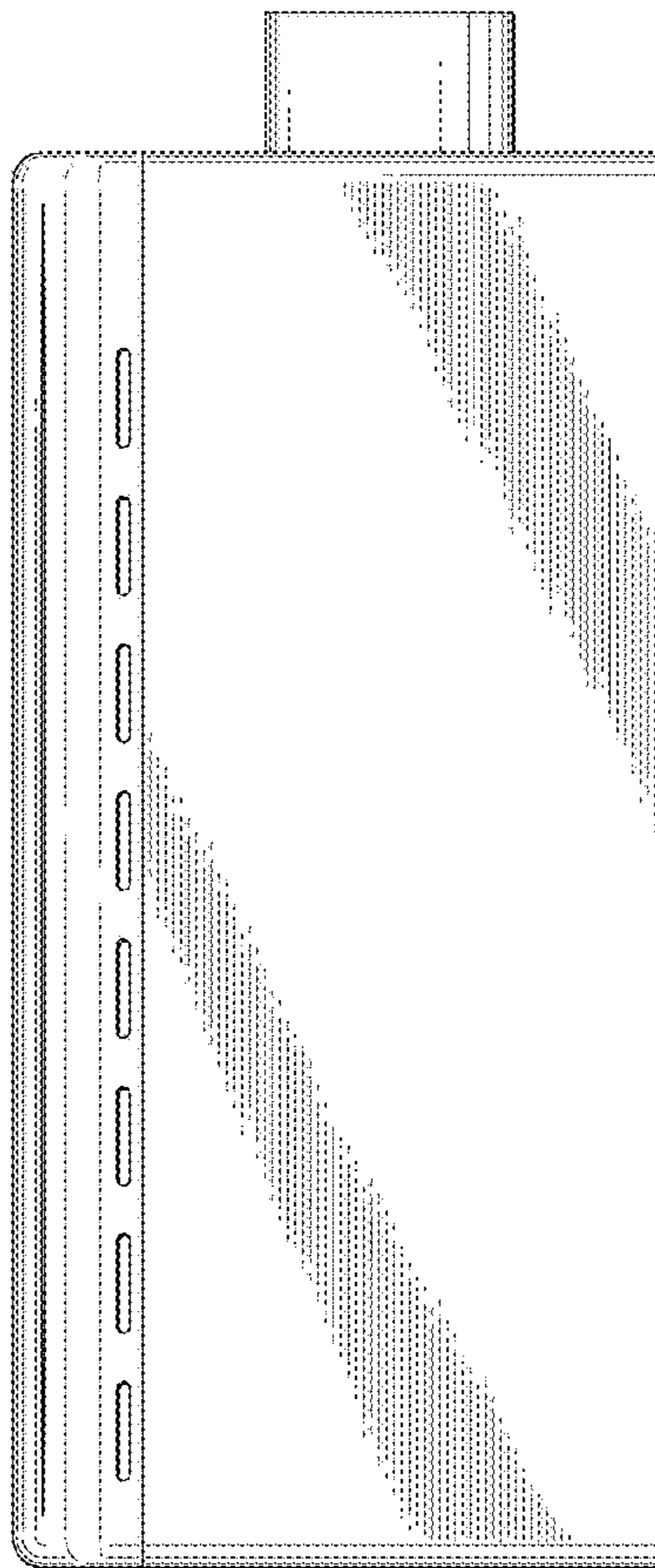


FIG.7

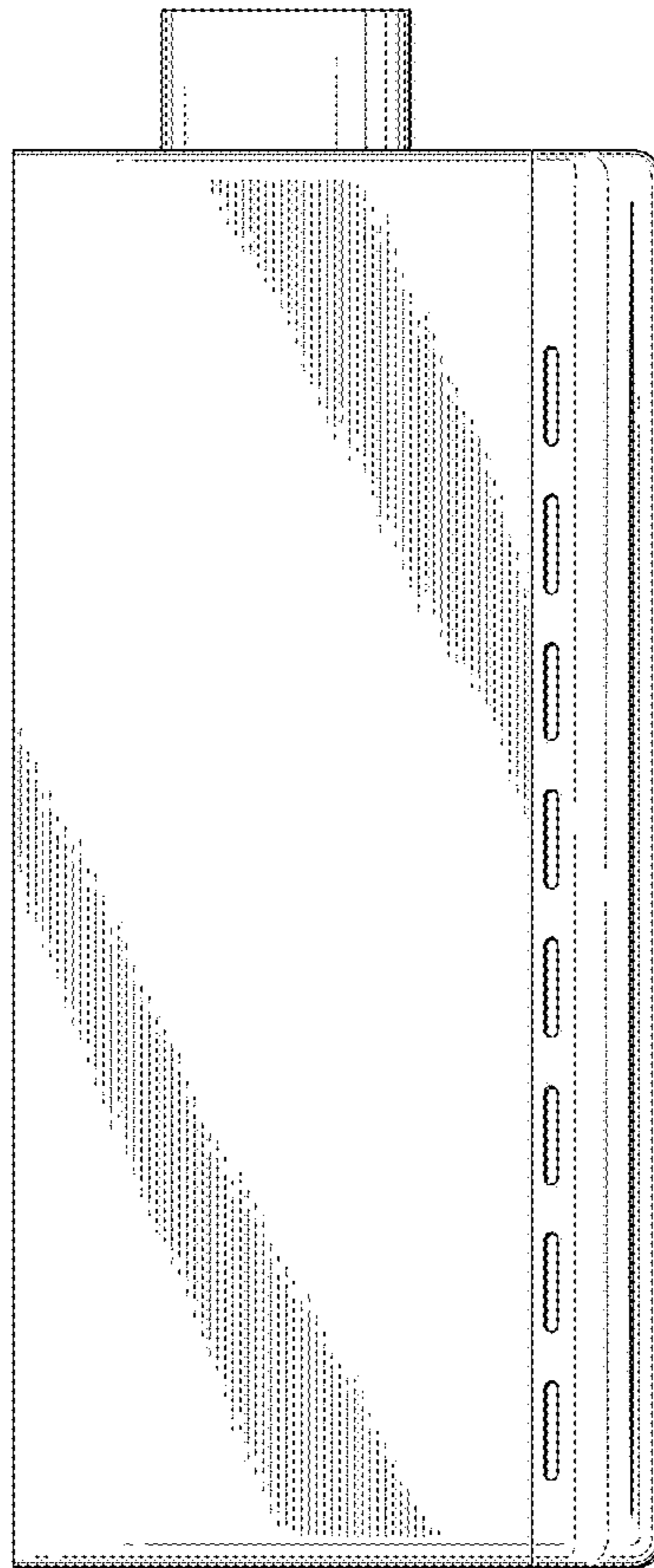


FIG.8

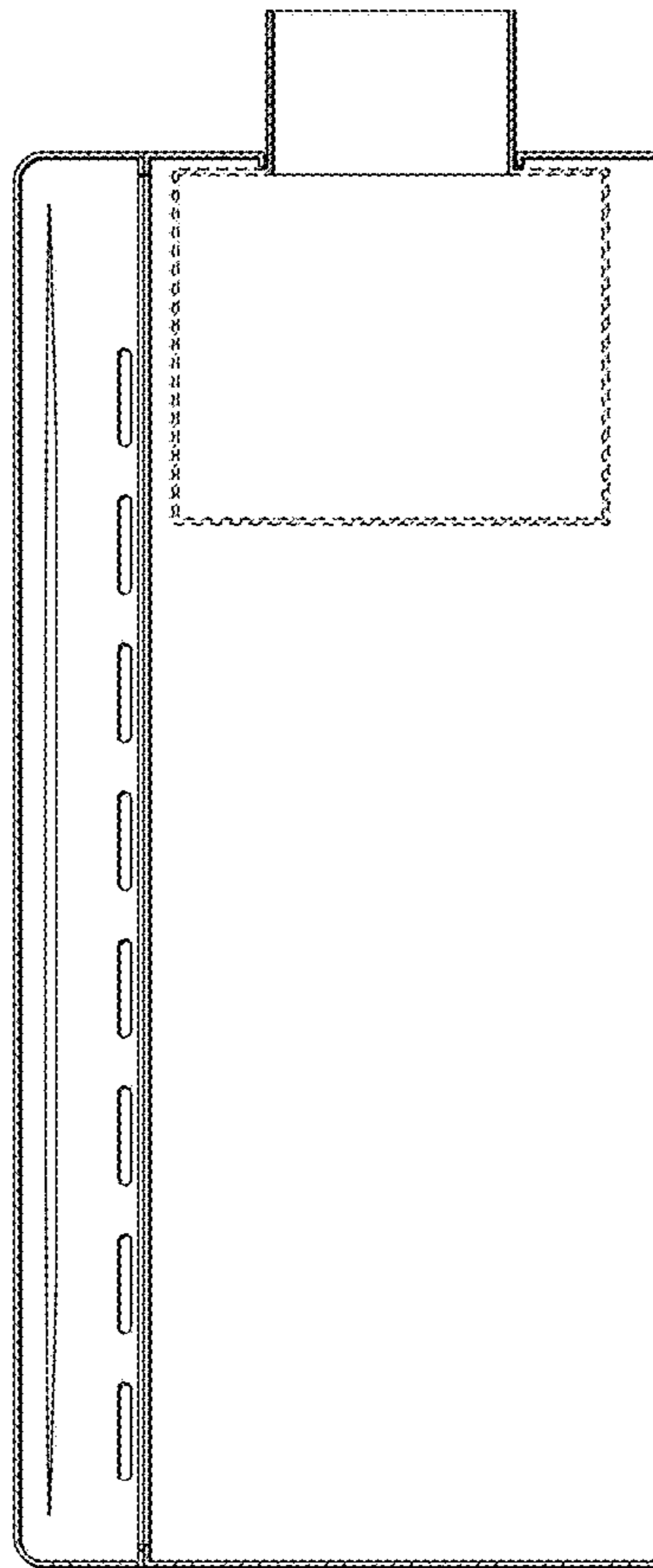


FIG.9

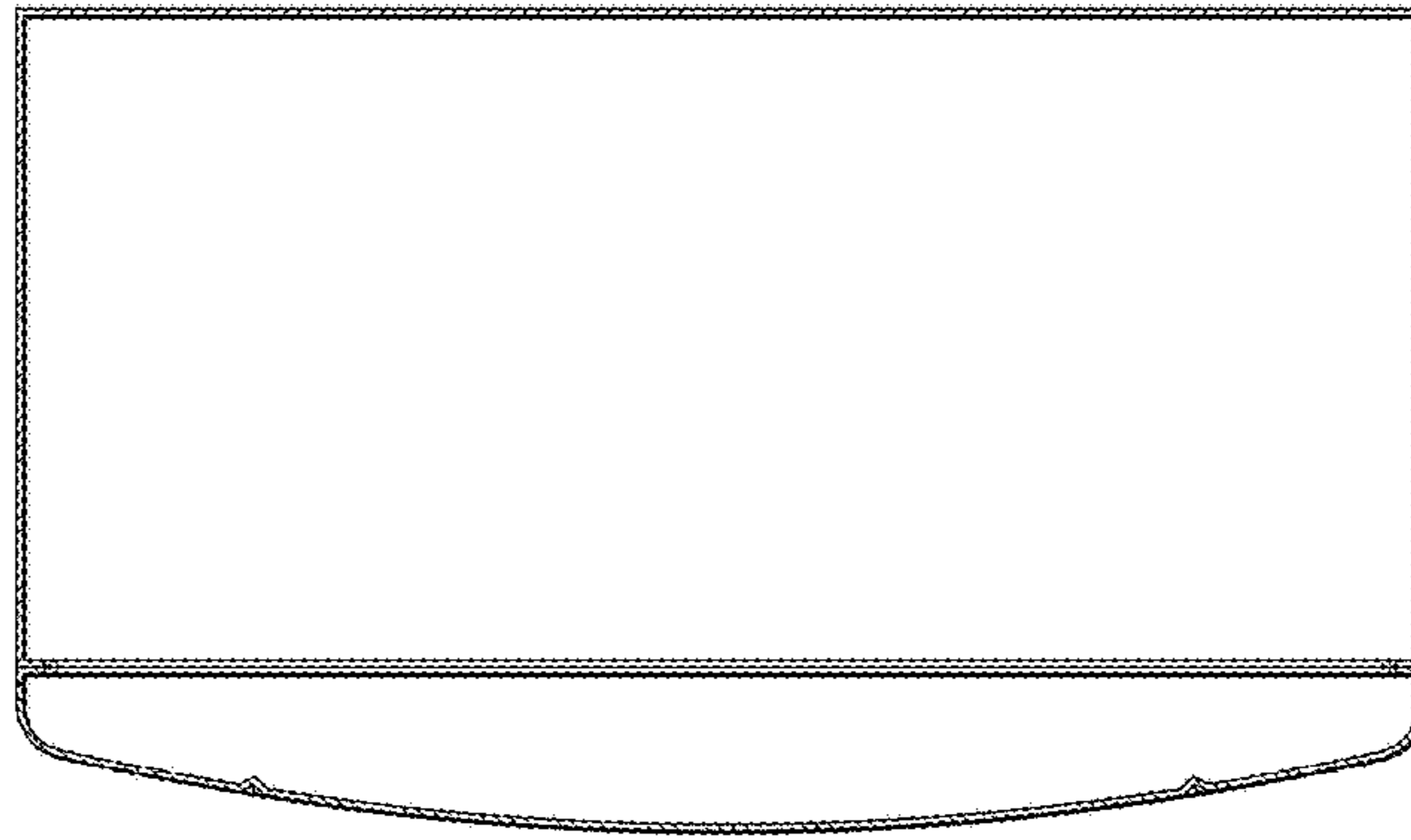


FIG.10

